

PARTS LIST

PUMP

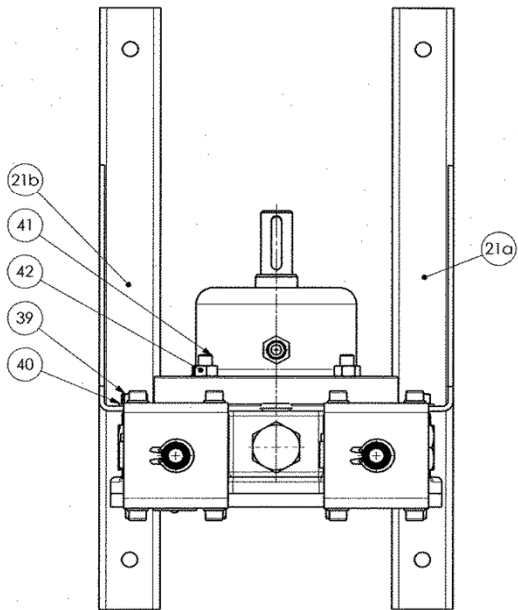
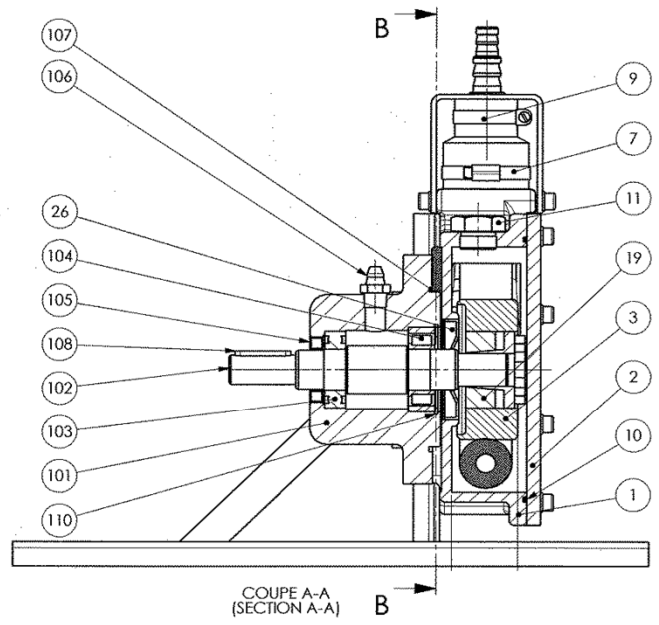
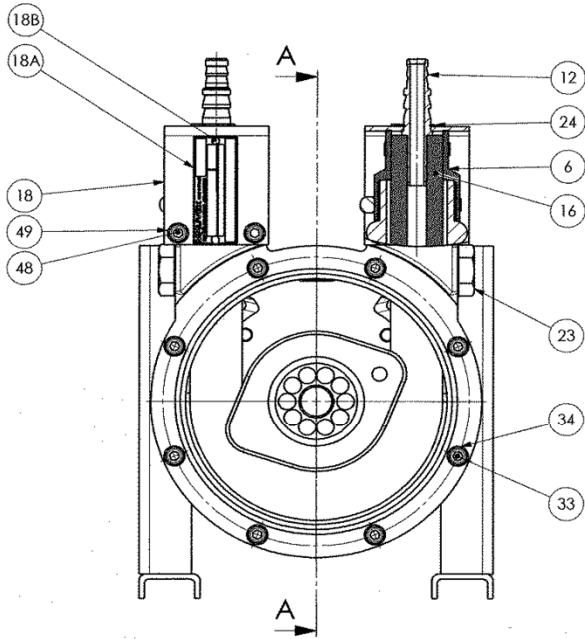
AS10

Keep this parts lists with Installation, Operation and Maintenance Instructions.

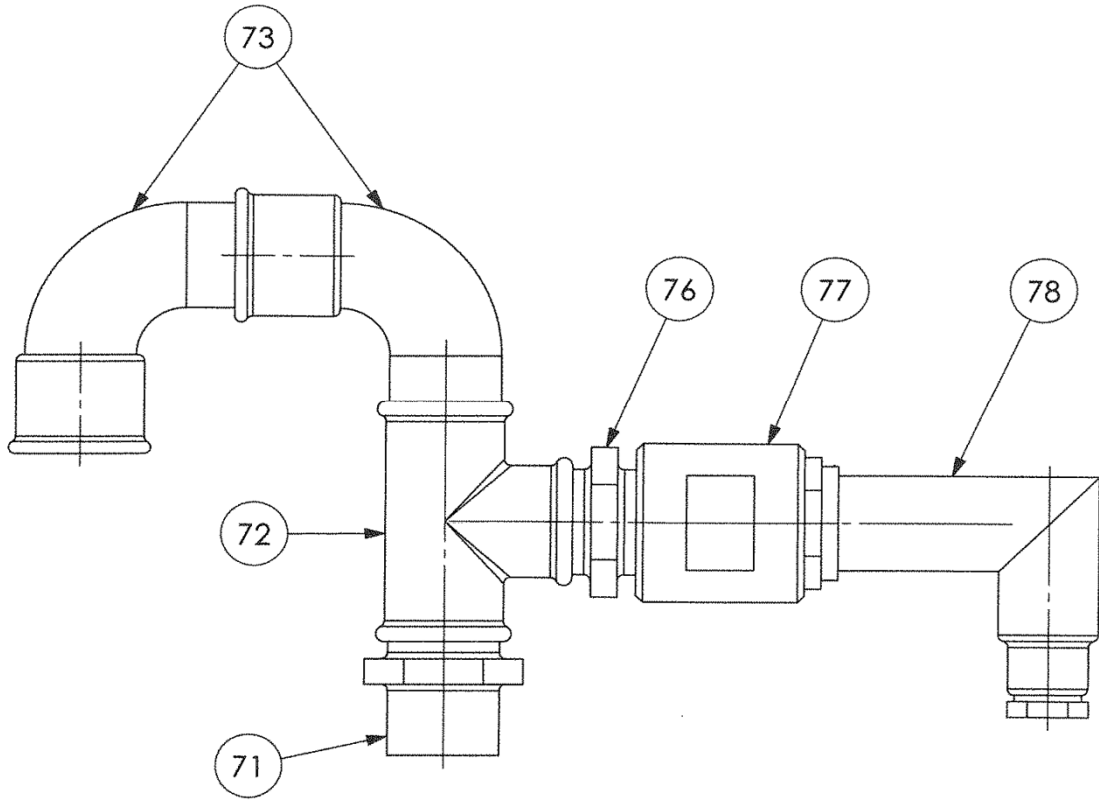
To order the required spare parts, indicate the desired Reference(s).

- ◆ Sets of parts or parts available to order.

AS10



PUNCTURE DETECTION KIT



AS10

* 1, 2, 4... : Quantity in equipment - (1), (2), (4)... : Quantity in kit

Item	Available	Description	Qty*	Ref.	Maintenance kit	Wear part
2	◆	COVER	1	220206		
3	◆	WHEEL (CLOSE COUPLING BORE 20)	1	217456		
6	◆	BOOT - EPDM	2	217067		
7	◆	HOSE CLAMP	2	217078		
9	◆	HOSE CLAMP	2	217078		
10	◆	COVER SEAL - FKM	1	220198		●
12	◆	INSERT STAINLESS STEEL	2	217298		
12	◆	INSERT PPH	2	217299		
12	◆	INSERT PVDF	2	217300		
16	◆	HOSE EPDM	1	218714	■	●
16	◆	HOSE NBR	1	229474	■	●
16	◆	HOSE NR	1	218712	■	●
18	◆	BRACKET	2	217130		
19	◆	EXPANSABLE TAPER LOCK D20	1	217777		
26	◆	SHAFT SEAL (CLOSE COUPLING BORE 20)	1	220226		
117	◆	BEARING BOX	1	312820.00		
101		BEARING BOX	(1)			
102		SHAFT	(1)			
103		BALL BEARING	(1)			
104		BEARING	(1)			
105		SEAL	(1)			
106		GREASE NIPPLE	(1)			
107		SEAL	(1)			
108		KEY	(1)			
110		CIRCLIPS	(1)			
130	◆	PUNCTURE DETECTION KIT	1	312146.00		
130	◆	PUNCTURE DETECTION KIT ATEX	1	314462.00		
71		NIPPLE	(1)			
72		TEE	(1)			
73		ELBOW 90°	(2)			
76		NIPPLE	(1)			
77		SLEEVE	(1)			
78		CAPACITIVE DETECTOR	(1)			
84		AMPLIFIER (WITH ATEX KIT)	(1)			
1100A	◆	LUBRICANT - GLYCERIN (CAN 0,5L)	1	314828.00	■	●
1100J	◆	LUBRICANT - GLYCERIN (CAN 1L)	1	314220.00		●