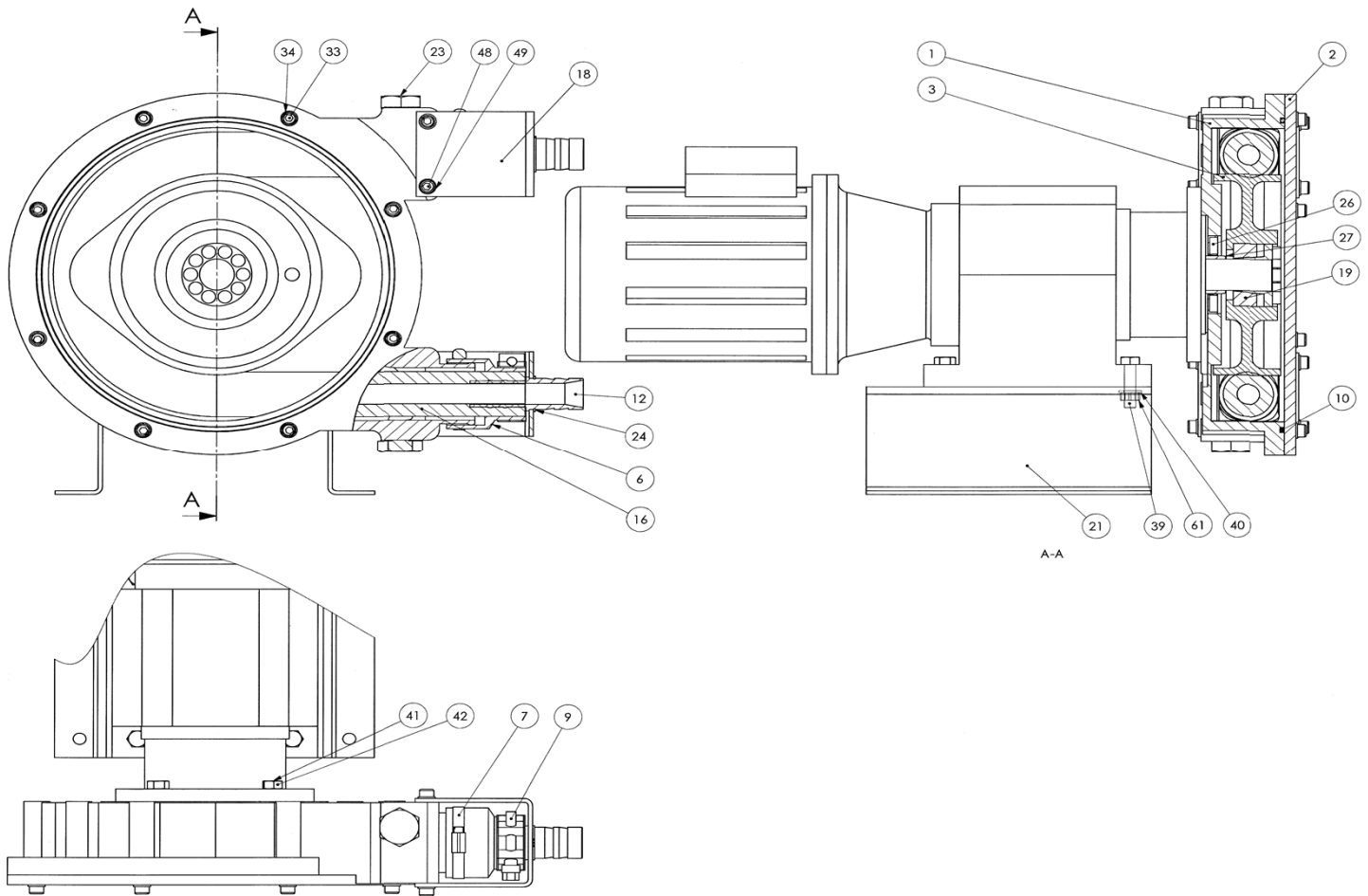


(See Instructions 1101-B00 for Installation, Operation and Maintenance)

Section Effective Replaces	1101 November 2013 New
----------------------------	------------------------------



Reference			Description	Qty order / (in pump)	Article code	
Ass.	Part	Available			A15	Kit/Part
	2	▲	Cover	1	220207	
	3	▲	Wheel	1	217287	
	10	▲	Cover seal	1	220199	•
	12	▲	Insert (Stainless steel)	1/(2)	217301	
	12	▲	Insert (PPH)	1/(2)	217302	
	12	▲	Insert (PVDF)	1/(2)	217303	
	16	▲	Hose NR	1	218938	■ •
	16	▲	Hose NBR	1	229475	■ •
	16	▲	Hose EPDM	1	218940	■ •
	18	▲	Bracket	1/(2)	217131	
	19	▲	Expansable taper lock	1	217778	
	26	▲	Shaft seal	1	220225	
	27	▲	Seal ring	1	219026	
Lubricant volume in the pump : 0,5 liter						
	1100A	▲	Lubricant - Glycerin (can 0,5 liter)	1	314828.00	■
	1100B	▲	Lubricant - Glycerin (can 1 liter)	1	314220.00	■

(◆) Sets of parts or (▲) parts available to order.

■ Kit/Part for maintenance • Wear parts

Reference			Description	Qty order / (in pump)	Article code	Kit/Part
Ass.	Part	Available			A15	
118		◆	Boot + Hose clamp	1	312818.00	
	6		Nipple	(2)		
	7		Hose clamp	(2)		
	9		Hose clamp	(2)		
130		◆	Puncture detection kit	1	312146.00	
	71		Fitting	(1)		
	72		Tee	(1)		
	73		Elbow	(2)		
	76		Fitting	(1)		
	77		Sleeve	(1)		
	78		Capacitive detector	(1)		

(◆) Sets of parts or (▲) parts available to order.

Keep this parts lists with Installation, Operation and Maintenance Instructions.



Z.I. la Plaine des Isles - 2 rue des Caillottes F-89000 AUXERRE - FRANCE

Tel : +33 (0)3 86 49 86 30 • Fax : +33 (0)3 86 49 87 17
 contact@mouvex.com • www.mouvex.com