

## **PARTS LIST**

### **PUMP**

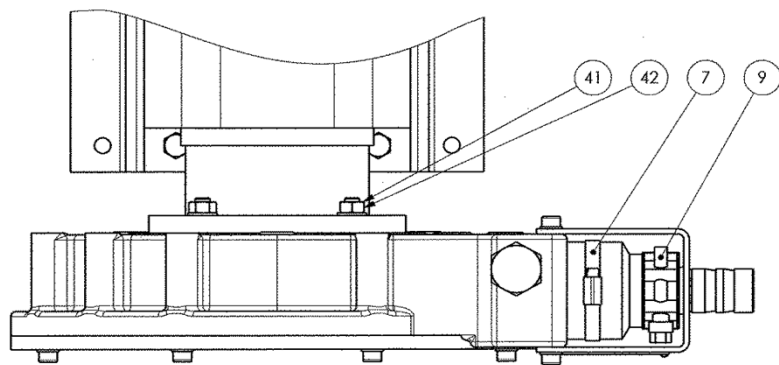
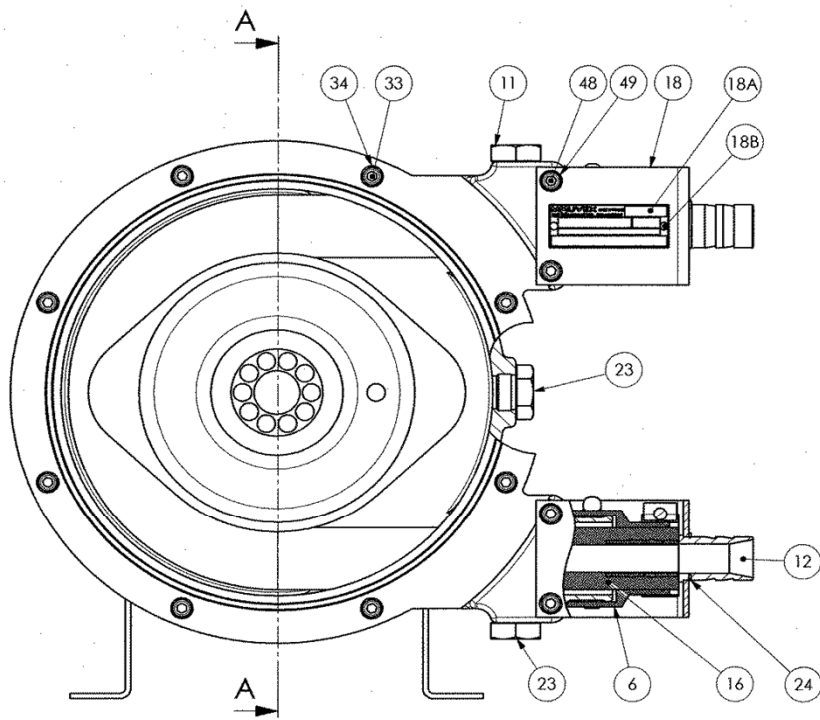
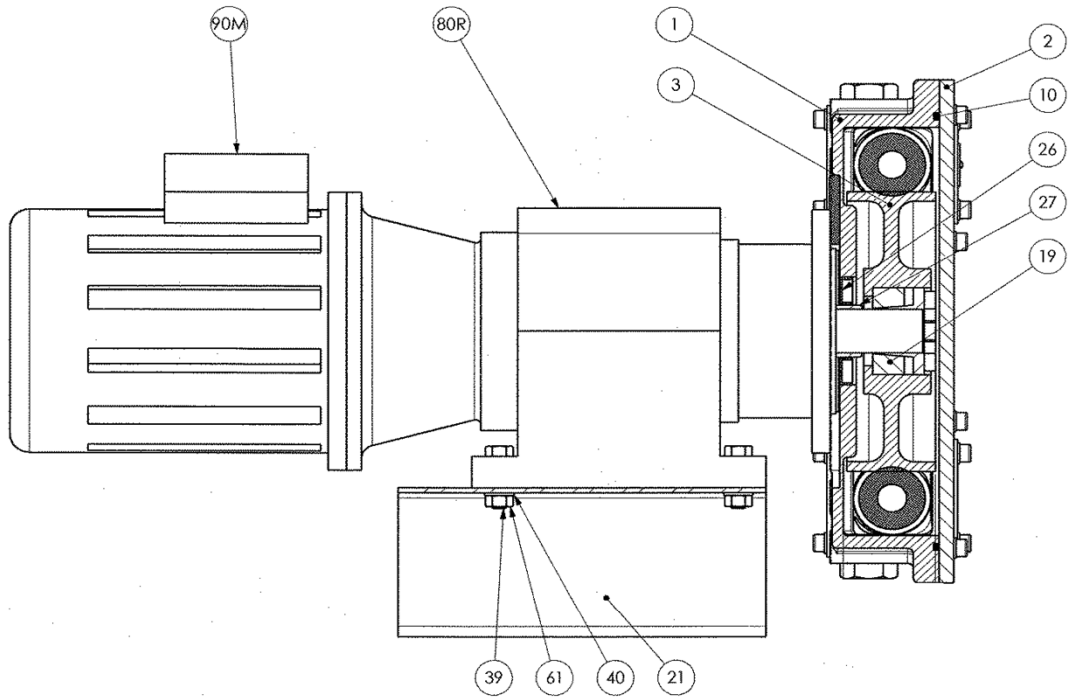
### **A20**

Keep this parts lists with Installation, Operation and Maintenance Instructions.

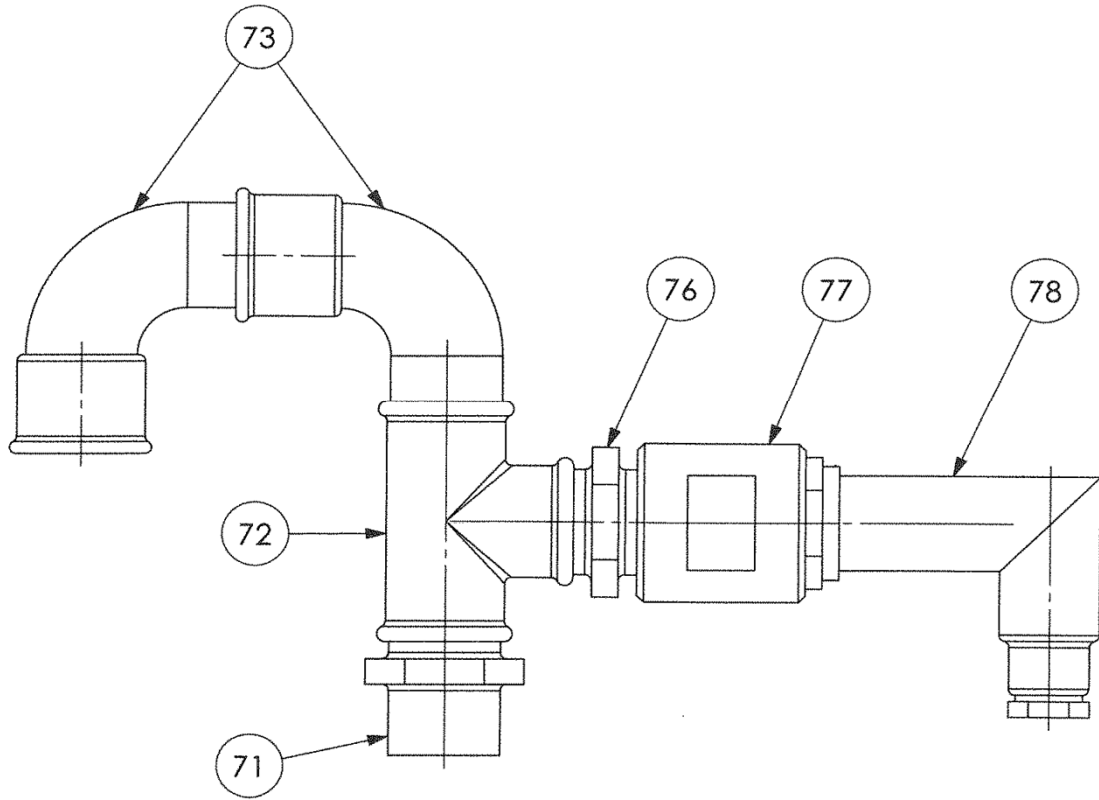
To order the required spare parts, indicate the desired Reference(s).

- ◆ Sets of parts or parts available to order.

# A20



# PUNCTURE DETECTION KIT



## A20

\* 1, 2, 4... : Quantity in equipment - (1), (2), (4)... : Quantity in kit

Item	Available	Description	Qty*	Ref.	Maintenance kit	Wear part
2	◆	COVER	1	220207		
3	◆	WHEEL	1	217288		
6	◆	BOOT - EPDM	2	217068		
7	◆	HOSE CLAMP	2	217079		
9	◆	HOSE CLAMP	2	218652		
10	◆	COVER SEAL - FKM	1	220199		●
12	◆	INSERT STAINLESS STEEL	2	217304		
12	◆	INSERT PPH	2	217305		
12	◆	INSERT PVDF	2	217306		
16	◆	HOSE EPDM	1	218943	■	●
16	◆	HOSE NBR	1	229154	■	●
16	◆	HOSE NR	1	218941	■	●
18	◆	BRACKET	2	217132		
19	◆	EXPANSABLE TAPER LOCK D25	1	217778		
26	◆	SHAFT SEAL (CLOSE COUPLING BORE 25)	1	220225		
27	◆	SEAL RING (CLOSE COUPLING BORE 25)	1	219026		
130	◆	PUNCTURE DETECTION KIT	1	312146.00		
130	◆	PUNCTURE DETECTION KIT ATEX	1	314462.00		
71		NIPPLE	(1)			
72		TEE	(1)			
73		ELBOW 90°	(2)			
76		NIPPLE	(1)			
77		SLEEVE	(1)			
78		CAPACITIVE DETECTOR	(1)			
84		AMPLIFIER (WITH ATEX KIT)	(1)			
1100B	◆	LUBRICANT - GLYCERIN (CAN 1L)	1	314220.00	■	●
1100H	◆	LUBRICANT - GLYCERIN (CAN 0,5L)	1	314828.00		●