

## **PARTS LIST**

### **PUMP**

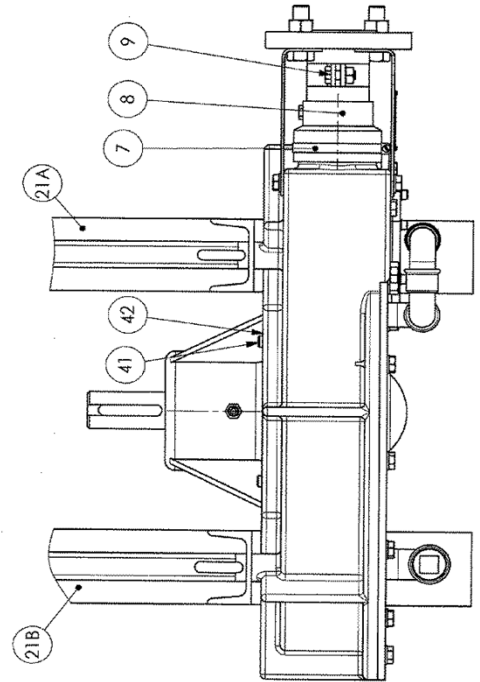
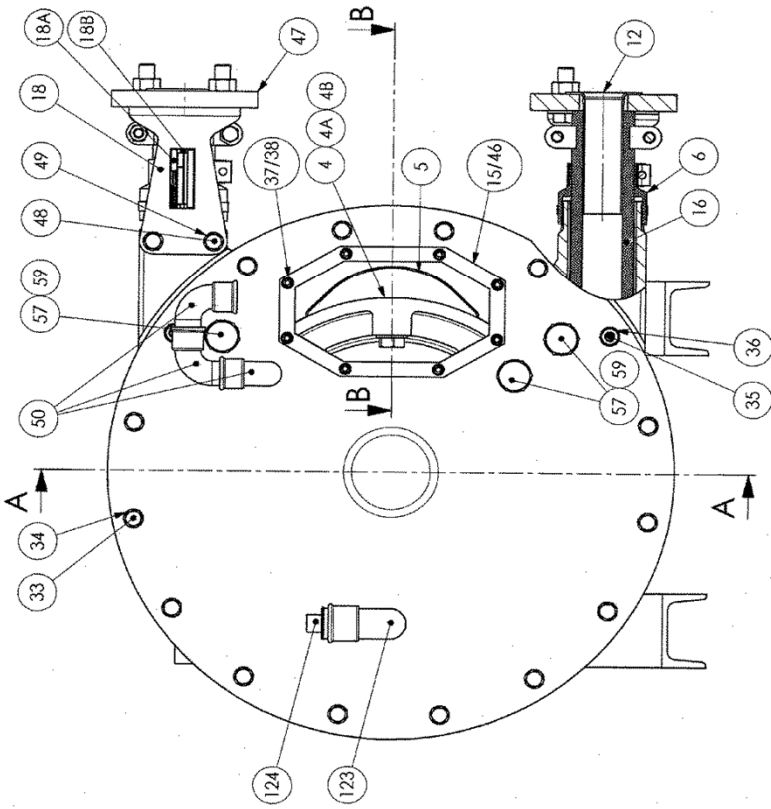
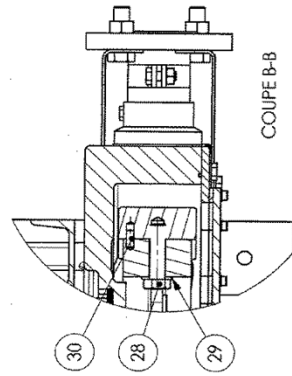
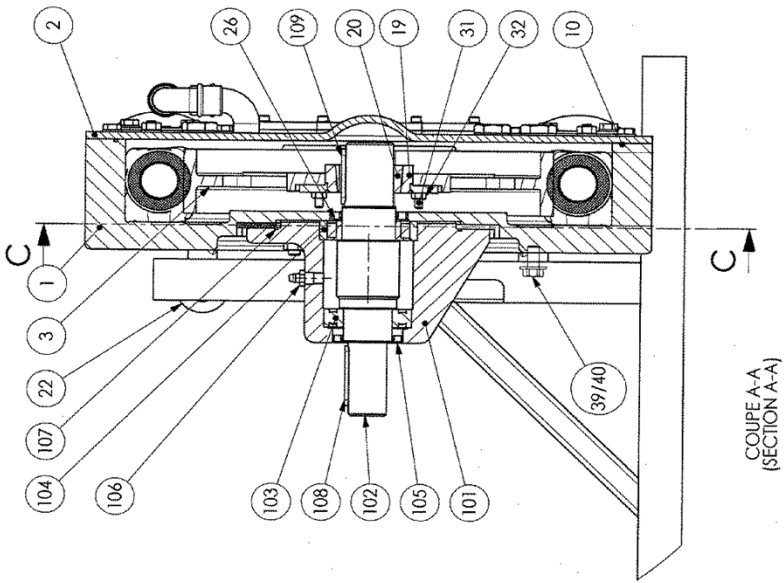
### **ASX40**

Keep this parts lists with Installation, Operation and Maintenance Instructions.

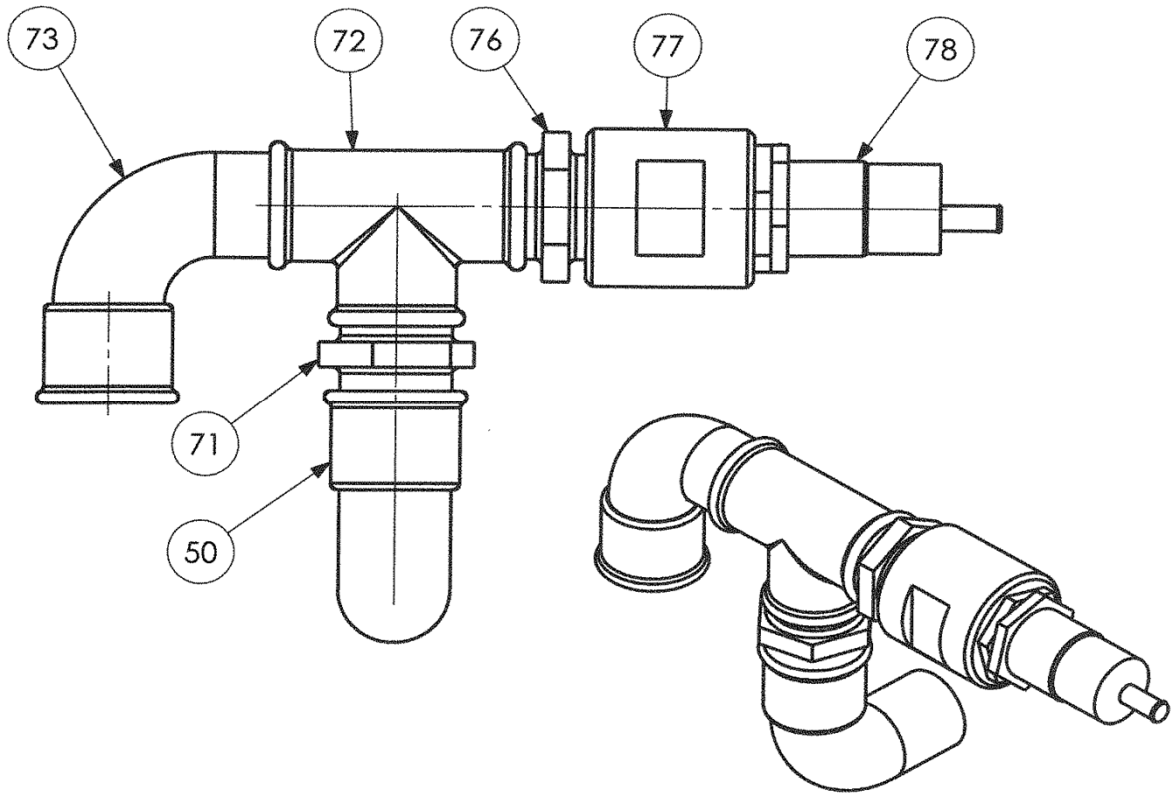
To order the required spare parts, indicate the desired Reference(s).

- ◆ Sets of parts or parts available to order.

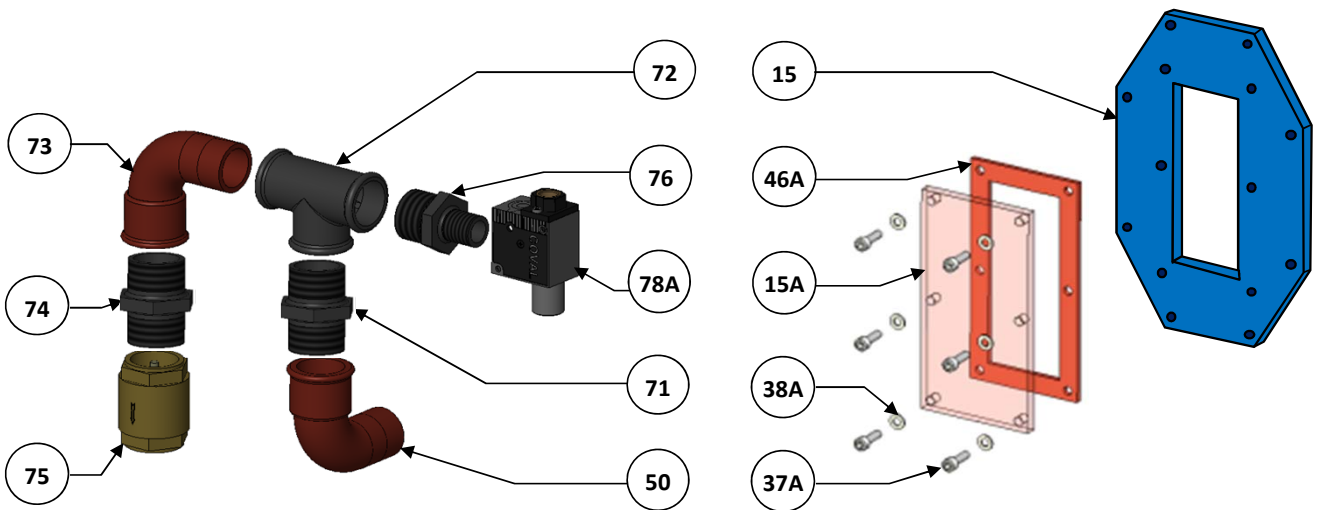
# ASX40



## PUNCTURE DETECTION KIT



## EJECTOR VACUUM KIT



Elbow 50 : on the pump

# ASX40

\* 1, 2, 4... : Quantity in equipment - (1), (2), (4)... : Quantity in kit

Item	Available	Description	Qty*	Ref.	Maintenance kit	Wear part
2	◆	COVER	1	220147		
3	◆	WHEEL	1	217290		
6	◆	BOOT - EPDM	2	217070		
7	◆	HOSE CLAMP	2	217050		
8	◆	HOSE CLAMP	2	219476		
9	◆	HOSE CLAMP	2	217086		
10	◆	COVER SEAL - FKM	1	220144		●
12	◆	INSERT STAINLESS STEEL	2	217313		
12	◆	INSERT PPH	2	217314		
12	◆	INSERT PVDF	2	217315		
15	◆	WINDOW	1	220143		
16	◆	HOSE EPDM	1	218732	■	●
16	◆	HOSE NBR	1	229477	■	●
16	◆	HOSE NR	1	218730	■	●
18	◆	BRACKET	4	219097		
20	◆	EXPANSABLE TAPER LOCK D50	1	217394		
26	◆	SEAL	1	220146		
46	◆	WINDOW SEAL EPDM	1	217396		
114	◆	SET OF SHIMS	1	312359.00		
4		REMOVABLE SHIM	(12)			
116	◆	WHEEL FIXATION KIT	1	313034.00		
19	◆	PLATE TO BE SCREWED	1	229802		
31		SCREW	(6)			
32		NUT	(6)			
117	◆	BEARING BOX	1	312747.00		
101		BEARING BOX	(1)			
102		SHAFT	(1)			
103		BEARING	(1)			
104		BEARING	(1)			
105		SEAL	(1)			
106		GREASE NIPPLE	(1)			
107		SEAL	(1)			
108		KEY	(1)			
109		KEY	(1)			
119	◆	ALUMINUM SHOES + SHIMS	1	312743.00		
4A		FIXED SHIM	(4)			
4B		FIXED SHIM	(4)			
5		SHOE	(2)			
30		PIN	(2)			
130	◆	PUNCTURE DETECTION KIT	1	311840.00		
130	◆	PUNCTURE DETECTION KIT ATEX	1	313739.00		
50		ELBOW	(1)			
71		NIPPLE	(1)			
72		T JUNCTION	(1)			
73		ELBOW	(1)			
76		NIPPLE	(1)			
77		SLEEVE	(1)			
78		CAPACITIVE DETECTOR	(1)			
84		AMPLIFIER (WITH ATEX KIT)	(1)			

# ASX40

\* 1, 2, 4... : Quantity in equipment - (1), (2), (4)... : Quantity in kit

Item	Available	Description	Qty*	Ref.	Maintenance kit	Wear part
131	◆	EJECTOR VACUUM KIT FOR AX40_ASX40 PUMPS	1	314825.00		
15	◆	WINDOW ADAPTOR	1	226224		
15A	◆	WINDOW	1	220208		
37A		SCREW	(6)			
38A		SEAL WASHER	(6)			
46A	◆	WINDOW SEAL EPDM	1	217040		
50		ELBOW	(1)			
71		NIPPLE	(1)			
72		T JUNCTION	(1)			
73		ELBOW	(1)			
74		NIPPLE	(1)			
75		VALVE	(1)			
76		NIPPLE	(1)			
78A	◆	EJECTOR	1	217749		
1100E	◆	LUBRICANT - GLYCERIN (CAN 5L)	1	314222.00	■	●
1100K	◆	LUBRICANT - GLYCERIN (CAN 2L)	1	314221.00		●