

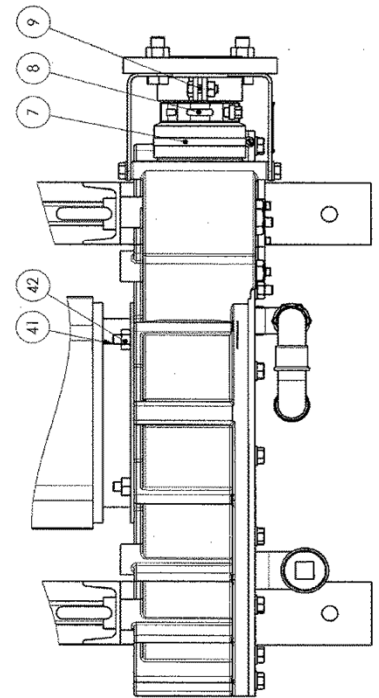
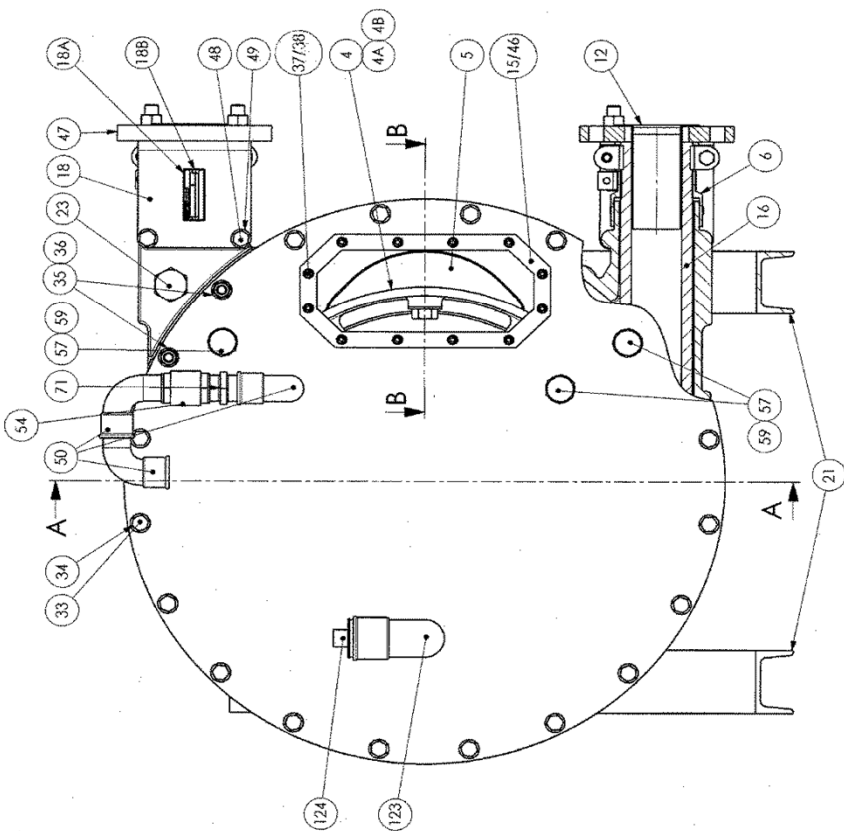
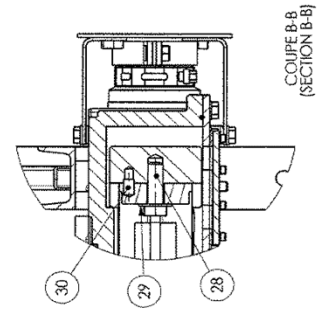
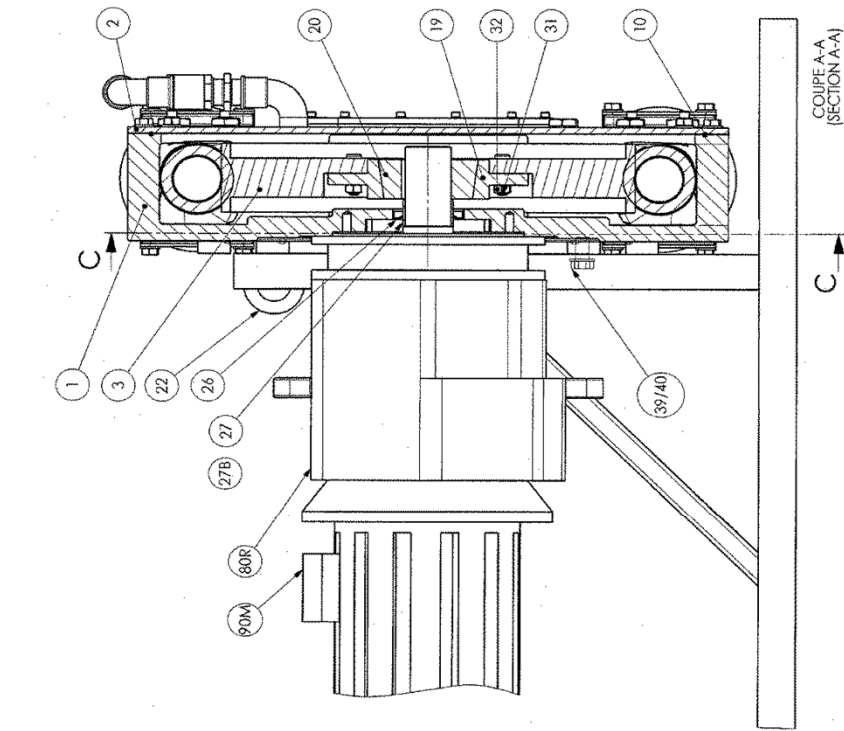
PARTS LIST
PUMP
A65

Keep this parts lists with Installation, Operation and Maintenance Instructions.

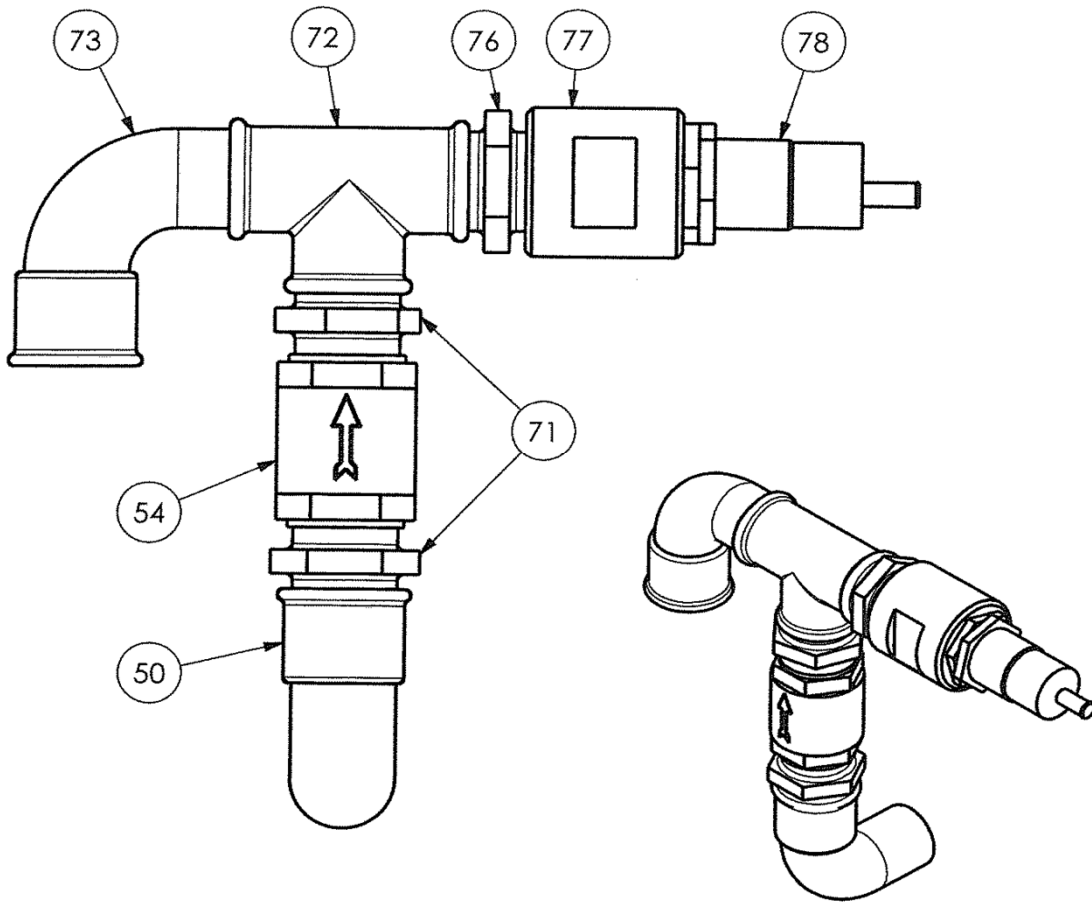
To order the required spare parts, indicate the desired Reference(s).

- ◆ Sets of parts or parts available to order.

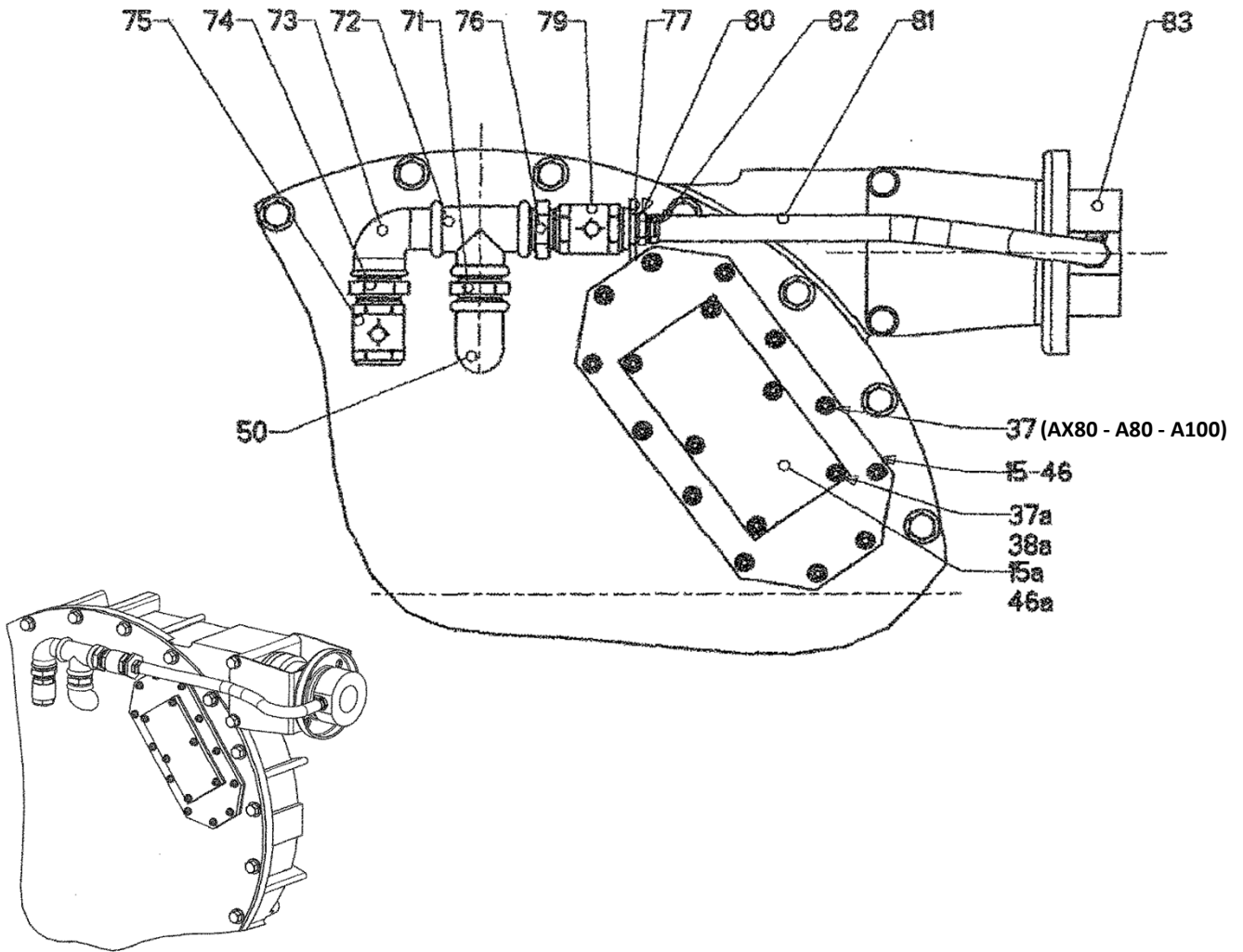
A65



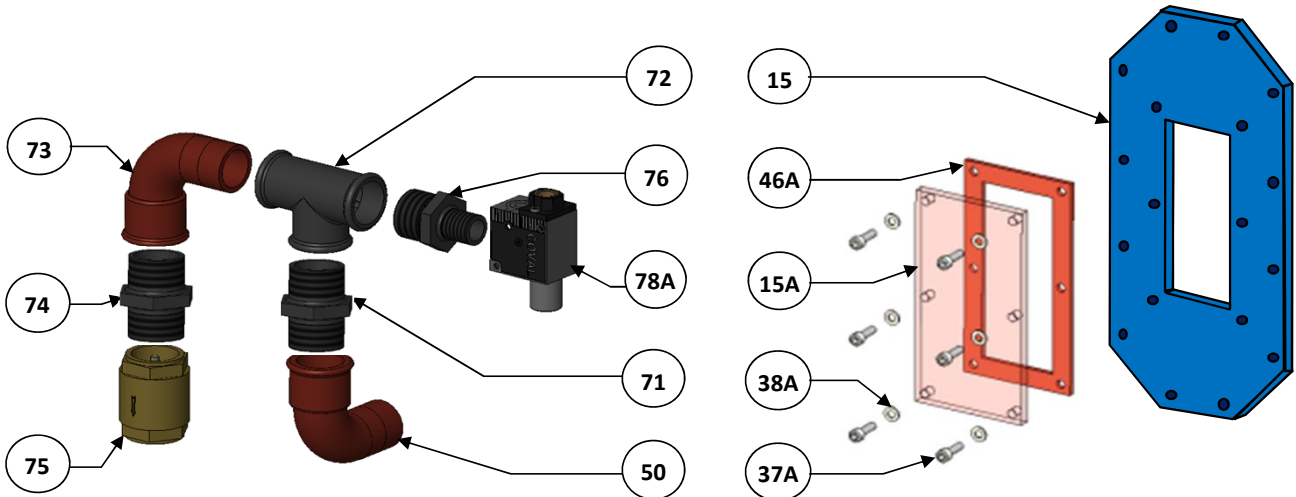
PUNCTURE DETECTION KIT



VACUUM KIT BY CONNECTION TO THE INLET FLANGE



EJECTOR VACUUM KIT



Elbow 50 : on the pump

A65

* 1, 2, 4... : Quantity in equipment - (1), (2), (4)... : Quantity in kit

Item	Available	Description	Qty*	Ref.	Maintenance kit	Wear part
2	◆	COVER	1	220120		
3	◆	WHEEL	1	217291		
6	◆	BOOT - EPDM	2	217072		
7	◆	HOSE CLAMP	2	217081		
8	◆	HOSE CLAMP	2	218831		
9	◆	HOSE CLAMP	2	217087		
10	◆	COVER SEAL - FKM	1	220117		●
12	◆	INSERT STAINLESS STEEL	2	217319		
12	◆	INSERT PPH	2	217320		
12	◆	INSERT PVDF	2	217321		
15	◆	WINDOW	1	220119		
16	◆	HOSE EPDM	1	218738	■	●
16	◆	HOSE NBR	1	229155	■	●
16	◆	HOSE NR	1	218736	■	●
18	◆	BRACKET	4	219099		
20	◆	COUPLING SLEEVE	1	217155		
20	◆	EXPANSABLE TAPER LOCK D55	1	217154		
26	◆	SEAL	1	220186		
26	◆	SEAL	1	220105		
27	◆	SEAL RING (CLOSE COUPLING BORE 55)	1	219060		
27	◆	SEAL RING (CLOSE COUPLING BORE 60)	1	219061		
27B	◆	SEAL RING (CLOSE COUPLING BORE 60)	1	228090		
46	◆	WINDOW SEAL EPDM	1	217397		
114	◆	SET OF SHIMS	1	312360.00		
4		REMOVABLE SHIM	(12)			
116	◆	WHEEL FIXATION KIT	1	313040.00		
19	◆	PLATE TO BE SCREWED	1	217164		
31		SCREW	(6)			
32		NUT	(6)			
119	◆	ALUMINUM SHOES + SHIMS	1	312736.00		
4A		FIXED SHIM	(4)			
4B		FIXED SHIM	(4)			
5		SHOE	(2)			
30		PIN	(2)			
130	◆	PUNCTURE DETECTION KIT	1	311839.00		
130	◆	PUNCTURE DETECTION KIT ATEX	1	313746.00		
50		ELBOW 90°	(1)			
54		VALVE	(1)			
71		NIPPLE	(2)			
72		T JUNCTION	(1)			
73		ELBOW 90°	(1)			
76		NIPPLE	(1)			
77		SLEEVE	(1)			
78		CAPACITIVE DETECTOR	(1)			
84		AMPLIFIER (WITH ATEX KIT)	(1)			

A65

* 1, 2, 4... : Quantity in equipment - (1), (2), (4)... : Quantity in kit

Item	Available	Description	Qty*	Ref.	Maintenance kit	Wear part
131	◆	VACUUM KIT BY CONNECTION TO THE INLET FLANGE	1	311918.00		
15	◆	WINDOW ADAPTOR	1	218644		
15A	◆	WINDOW	1	220208		
37A		SCREW	(6)			
38A		SEAL WASHER	(6)			
46A	◆	WINDOW SEAL EPDM	1	217040		
50		ELBOW 90°	(1)			
71		NIPPLE	(1)			
72		T JUNCTION	(1)			
73		ELBOW 90°	(1)			
74		NIPPLE	(1)			
75		VALVE	(1)			
76		NIPPLE	(1)			
77		NIPPLE	(1)			
79		VALVE	(1)			
80		ADAPTATER	(2)			
81		HOSE	(1)			
82		HOSE CLAMP	(2)			
83		VACUUMING FLANGE	(1)			
131	◆	EJECTOR VACUUM KIT FOR A65_AS65 PUMPS	1	311901.00		
15	◆	WINDOW ADAPTOR	1	218644		
15A	◆	WINDOW	1	220208		
37A		SCREW	(6)			
38A		SEAL WASHER	(6)			
46A	◆	WINDOW SEAL EPDM	1	217040		
50		ELBOW 90°	(1)			
71		NIPPLE	(1)			
72		T JUNCTION	(1)			
73		ELBOW 90°	(1)			
74		NIPPLE	(1)			
75		VALVE	(1)			
76		NIPPLE	(1)			
78A	◆	EJECTOR	1	217749		
1100F	◆	LUBRICANT - GLYCERIN (CAN 10L)	1	314223.00	■	●
1100L	◆	LUBRICANT - GLYCERIN (CAN 2,5L)	1	314829.00		●