

## **PARTS LIST**

### **PUMP**

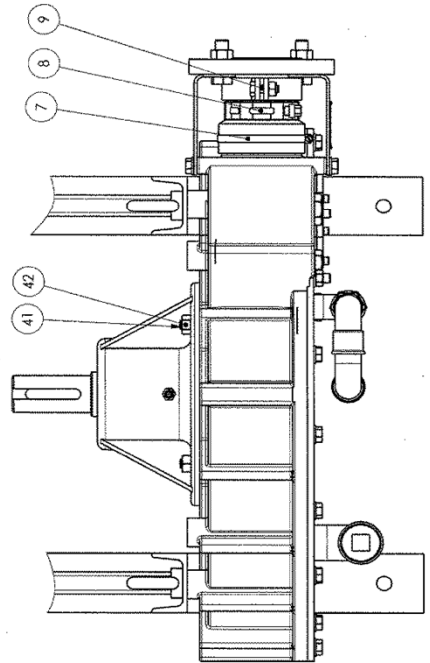
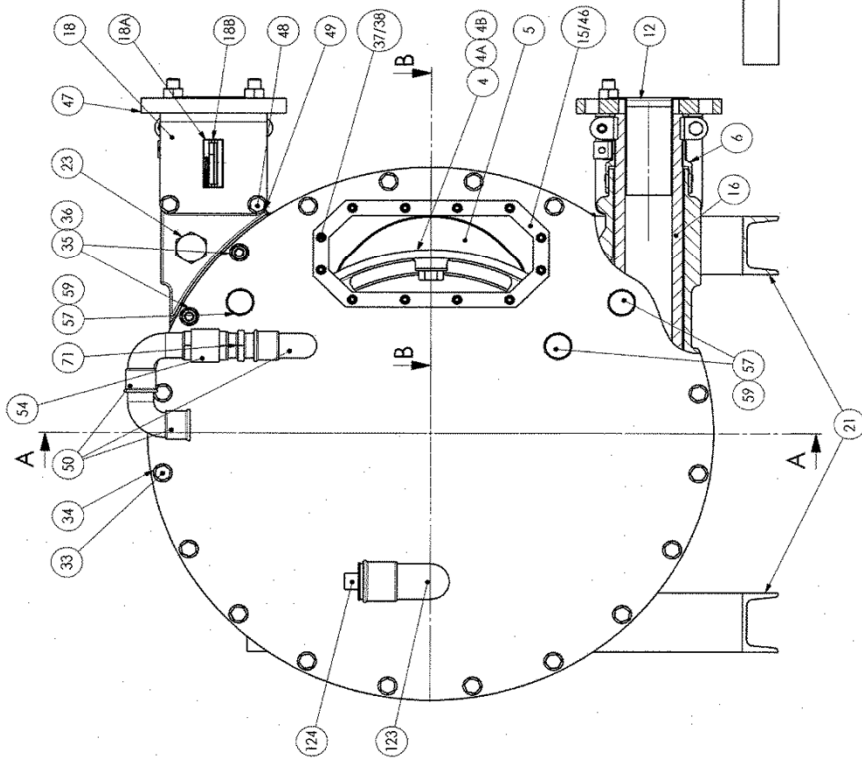
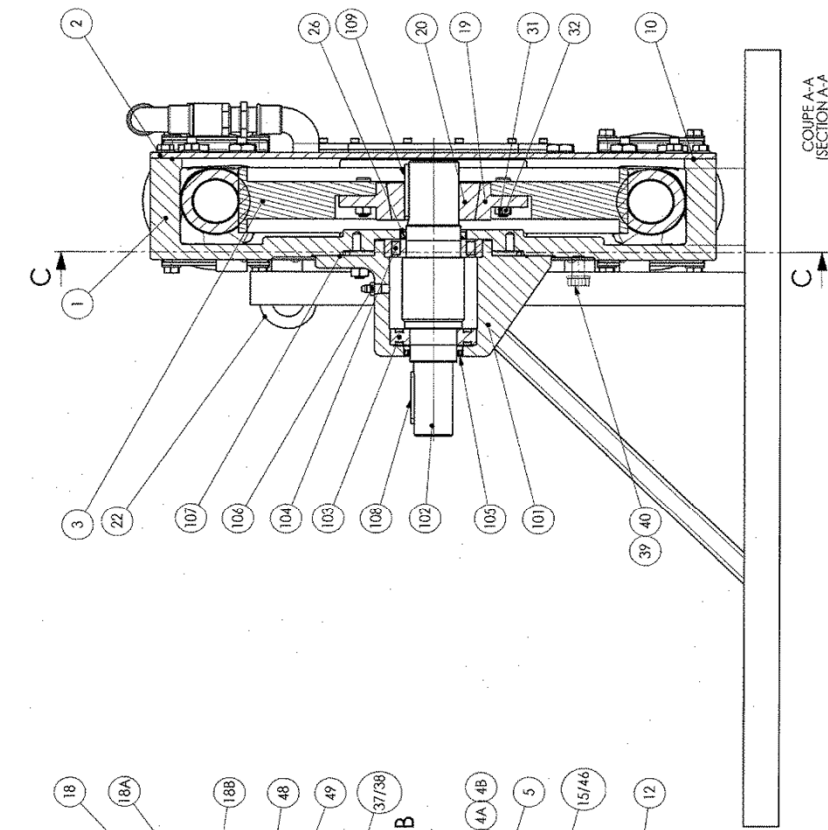
### **AS65**

Keep this parts lists with Installation, Operation and Maintenance Instructions.

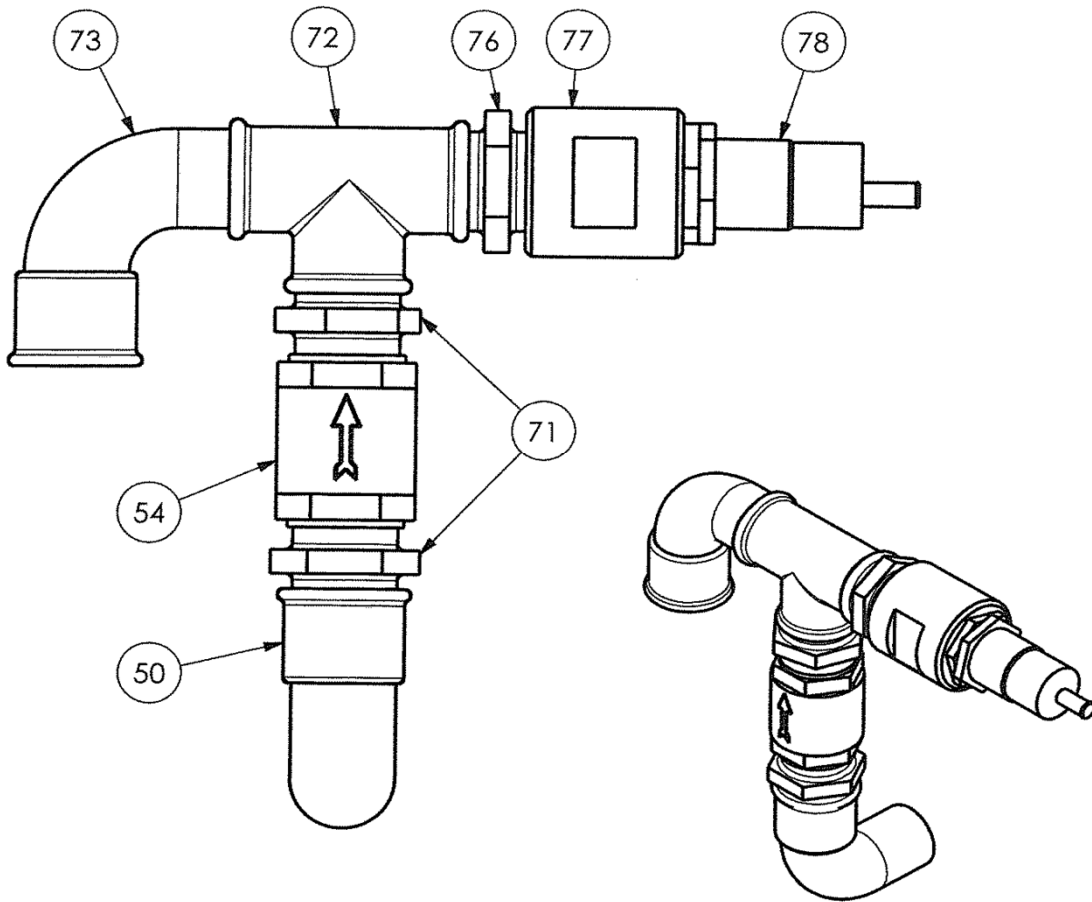
To order the required spare parts, indicate the desired Reference(s).

- ◆ Sets of parts or parts available to order.

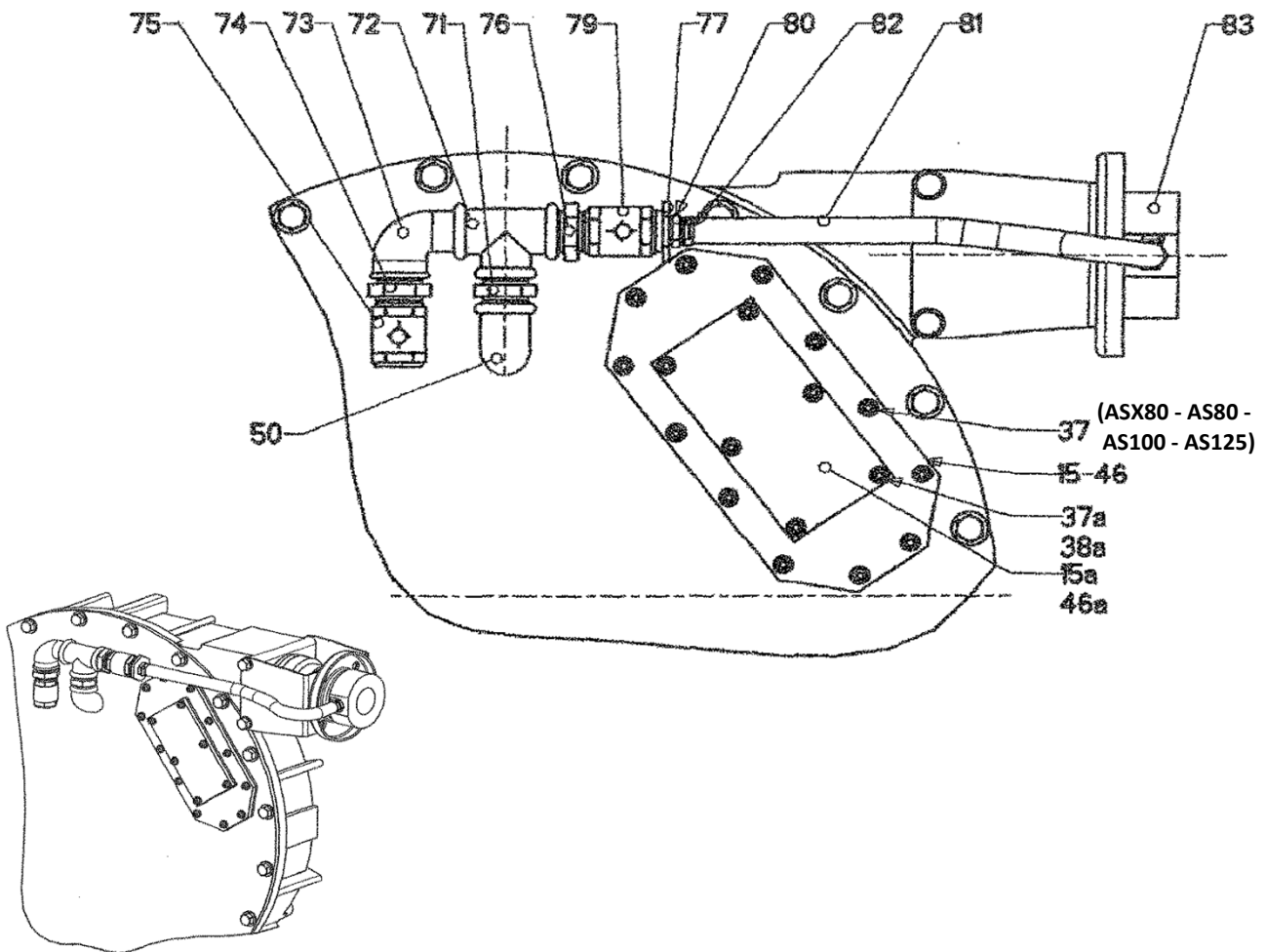
# AS65



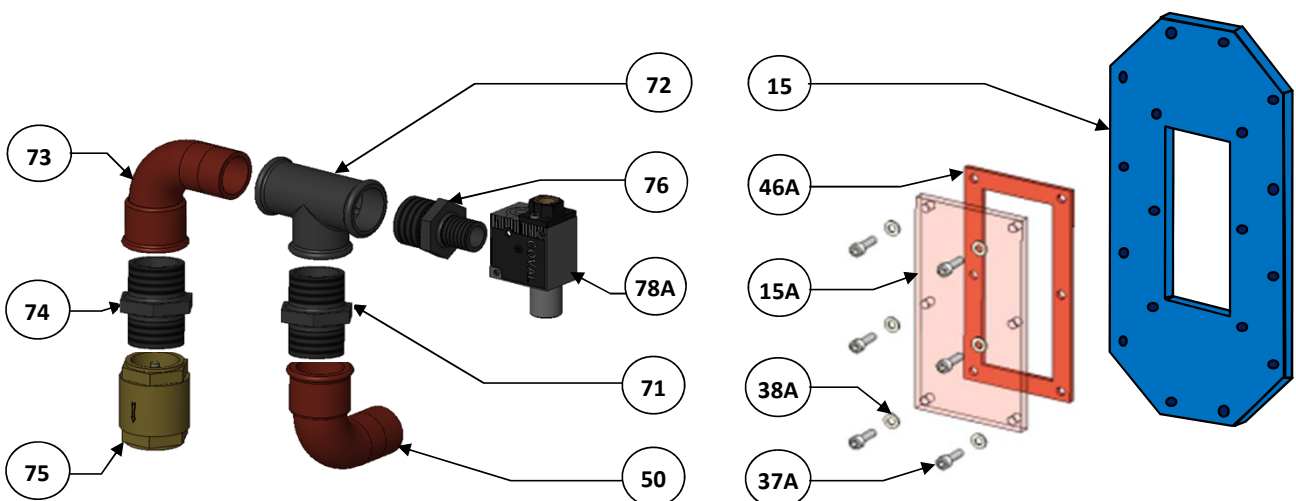
# PUNCTURE DETECTION KIT



## VACUUM KIT BY CONNECTION TO THE INLET FLANGE



## EJECTOR VACUUM KIT



Elbow 50 : on the pump

# AS65

\* 1, 2, 4... : Quantity in equipment - (1), (2), (4)... : Quantity in kit

Item	Available	Description	Qty*	Ref.	Maintenance kit	Wear part
2	◆	COVER	1	220120		
3	◆	WHEEL	1	217291		
6	◆	BOOT - EPDM	2	217072		
7	◆	HOSE CLAMP	2	217081		
8	◆	HOSE CLAMP	2	218831		
9	◆	HOSE CLAMP	2	217087		
10	◆	COVER SEAL - FKM	1	220117		●
12	◆	INSERT STAINLESS STEEL	2	217319		
12	◆	INSERT PPH	2	217320		
12	◆	INSERT PVDF	2	217321		
15	◆	WINDOW	1	220119		
16	◆	HOSE EPDM	1	218738	■	●
16	◆	HOSE NBR	1	229155	■	●
16	◆	HOSE NR	1	218736	■	●
18	◆	BRACKET	4	219099		
20	◆	HUB	1	217156		
26	◆	SEAL	1	220105		
46	◆	WINDOW SEAL EPDM	1	217397		
114	◆	SET OF SHIMS	1	312360.00		
4		REMOVABLE SHIM	(12)			
116	◆	WHEEL FIXATION KIT	1	313043.00		
19	◆	PLATE TO BE SCREWED	1	217164		
31		SCREW	(6)			
32		NUT	(6)			
117	◆	BEARING BOX	1	312734.00		
101		BEARING BOX	(1)			
102		SHAFT	(1)			
103		BEARING	(1)			
104		BEARING	(1)			
105		LIP SEAL	(1)			
106		GREASE NIPPLE	(1)			
107		SEAL	(1)			
108		KEY	(1)			
109		KEY	(1)			
119	◆	ALUMINUM SHOES + SHIMS	1	312736.00		
4A		FIXED SHIM	(4)			
4B		FIXED SHIM	(4)			
5		SHOE	(2)			
30		PIN	(2)			
130	◆	PUNCTURE DETECTION KIT	1	311839.00		
130	◆	PUNCTURE DETECTION KIT ATEX	1	313746.00		
50		ELBOW 90°	(1)			
54		VALVE	(1)			
71		NIPPLE	(2)			
72		T JUNCTION	(1)			
73		ELBOW 90°	(1)			
76		NIPPLE	(1)			
77		SLEEVE	(1)			
78		CAPACITIVE DETECTOR	(1)			
84		AMPLIFIER (WITH ATEX KIT)	(1)			

# AS65

\* 1, 2, 4... : Quantity in equipment - (1), (2), (4)... : Quantity in kit

Item	Available	Description	Qty*	Ref.	Maintenance kit	Wear part
<b>131</b>	◆	<b>VACUUM KIT BY CONNECTION TO THE INLET FLANGE</b>	<b>1</b>	<b>311918.00</b>		
15	◆	WINDOW ADAPTOR	1	218644		
15A	◆	WINDOW	1	220208		
37A		SCREW	(6)			
38A		SEAL WASHER	(6)			
46A	◆	WINDOW SEAL EPDM	1	217040		
50		ELBOW 90°	(1)			
71		NIPPLE	(1)			
72		T JUNCTION	(1)			
73		ELBOW 90°	(1)			
74		NIPPLE	(1)			
75		VALVE	(1)			
76		NIPPLE	(1)			
77		NIPPLE	(1)			
79		VALVE	(1)			
80		ADAPTATER	(2)			
81		HOSE	(1)			
82		HOSE CLAMP	(2)			
83		VACUUMING FLANGE	(1)			
<b>131</b>	◆	<b>EJECTOR VACUUM KIT FOR A65_AS65 PUMPS</b>	<b>1</b>	<b>311901.00</b>		
15	◆	WINDOW ADAPTOR	1	218644		
15A	◆	WINDOW	1	220208		
37A		SCREW	(6)			
38A		SEAL WASHER	(6)			
46A	◆	WINDOW SEAL EPDM	1	217040		
50		ELBOW 90°	(1)			
71		NIPPLE	(1)			
72		T JUNCTION	(1)			
73		ELBOW 90°	(1)			
74		NIPPLE	(1)			
75		VALVE	(1)			
76		NIPPLE	(1)			
78A	◆	EJECTOR	1	217749		
<b>132</b>	◆	<b>BOX SEALS_BEARINGS KIT</b>	<b>1</b>	<b>313967.00</b>		
26	◆	SEAL	1	220105		
103		BEARING	(1)			
104		BEARING	(1)			
105		LIP SEAL	(1)			
<b>1100F</b>	◆	<b>LUBRICANT - GLYCERIN (CAN 10L)</b>	<b>1</b>	<b>314223.00</b>	■	●
<b>1100L</b>	◆	<b>LUBRICANT - GLYCERIN (CAN 2,5L)</b>	<b>1</b>	<b>314829.00</b>		●