

PARTS LIST

PUMP

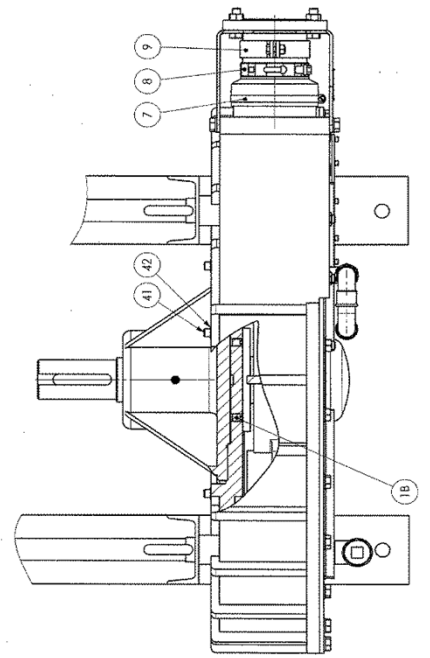
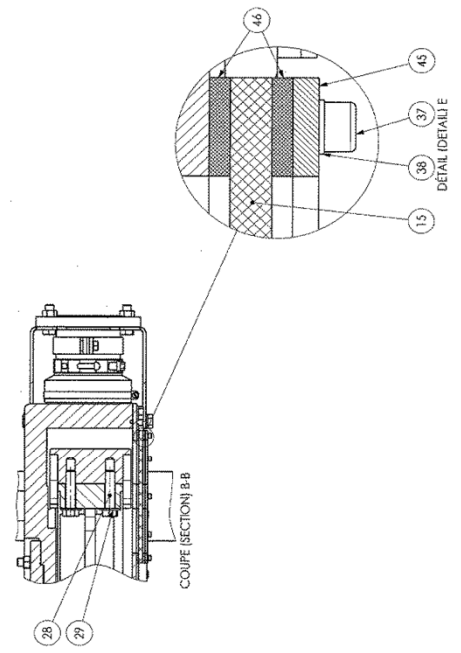
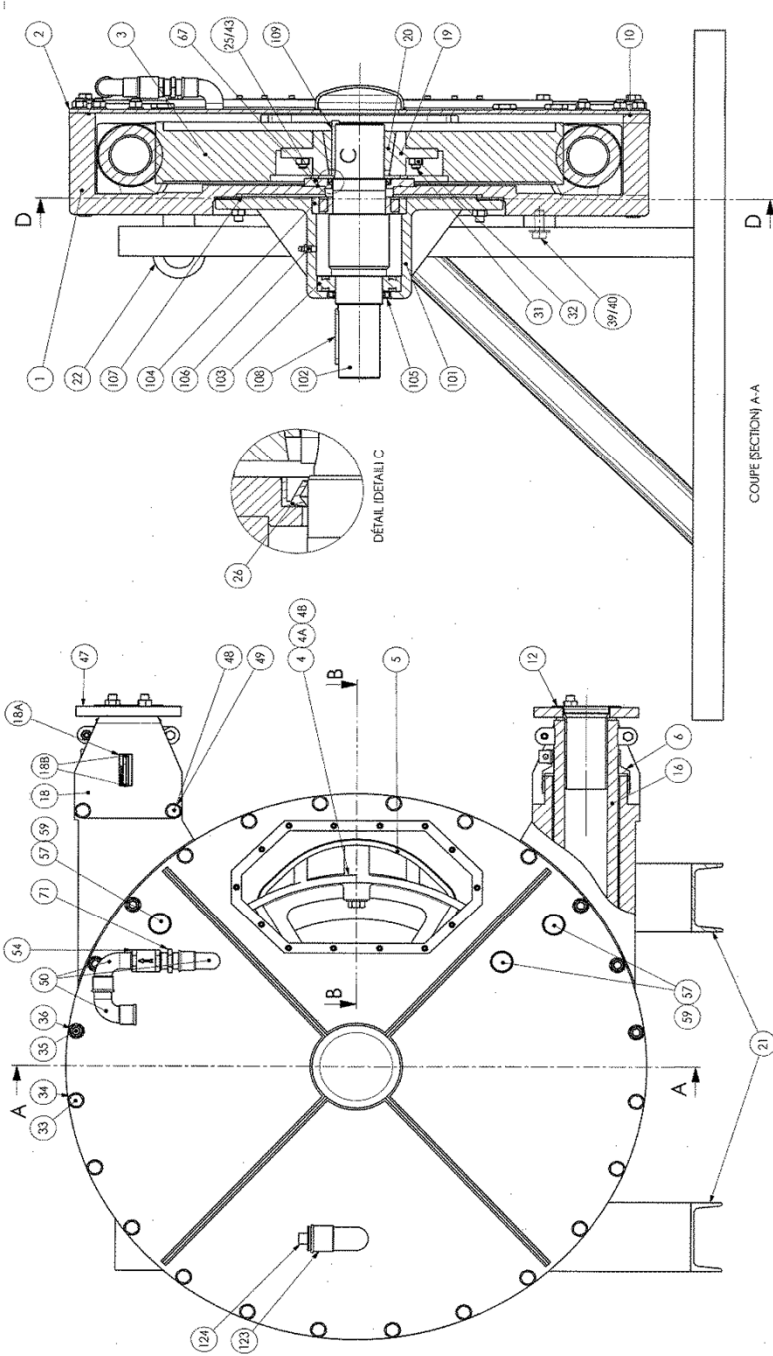
AS80

Keep this parts lists with Installation, Operation and Maintenance Instructions.

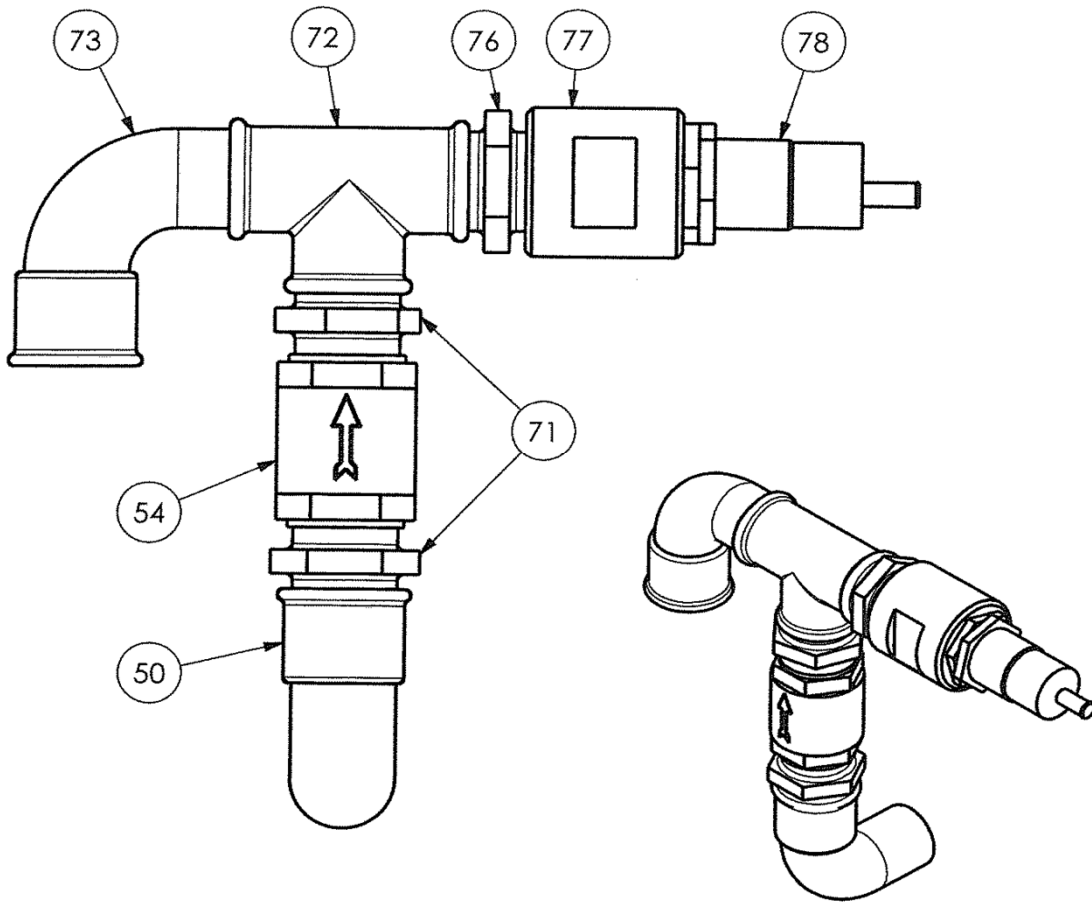
To order the required spare parts, indicate the desired Reference(s).

- ◆ Sets of parts or parts available to order.

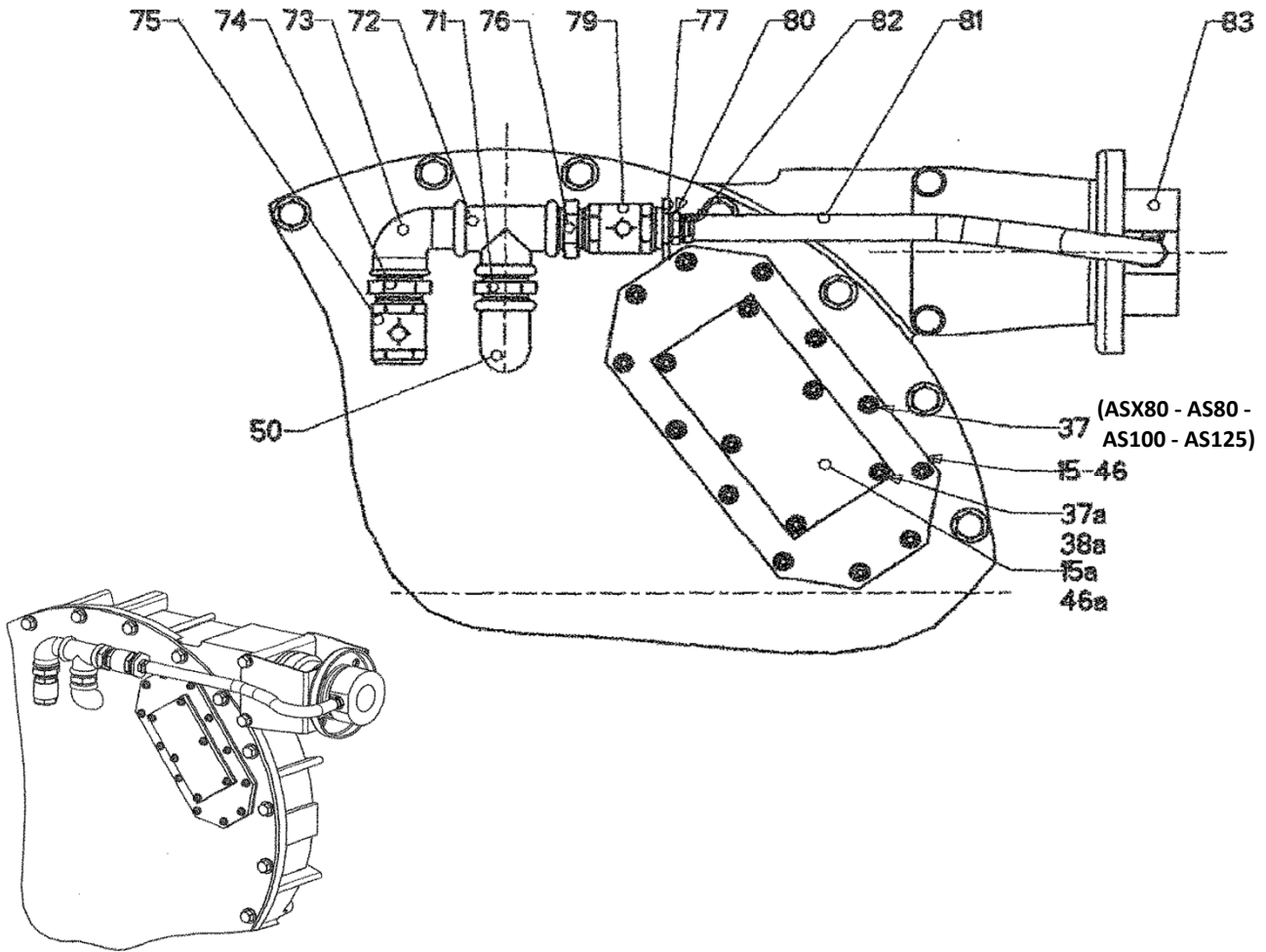
AS80



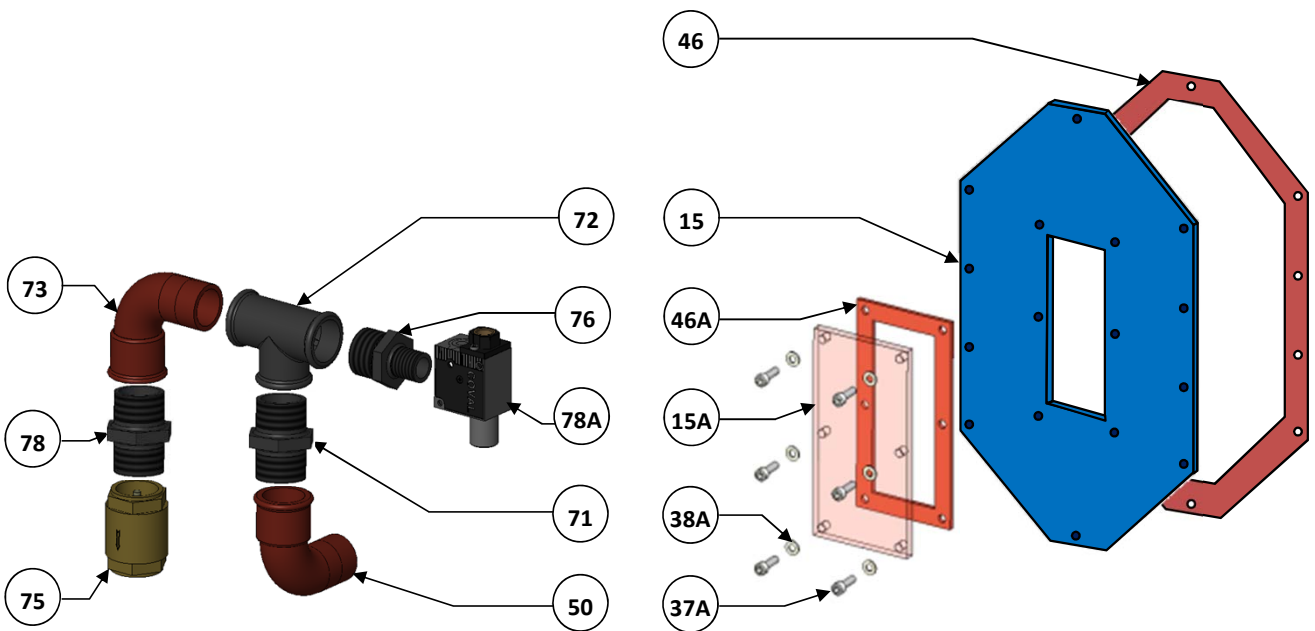
PUNCTURE DETECTION KIT



VACUUM KIT BY CONNECTION TO THE INLET FLANGE



EJECTOR VACUUM KIT



Elbow 50 : on the pump

AS80

* 1, 2, 4... : Quantity in equipment - (1), (2), (4)... : Quantity in kit

Item	Available	Description	Qty*	Ref.	Maintenance kit	Wear part
2	◆	COVER	1	220195		
3	◆	WHEEL	1	217293		
6	◆	BOOT - EPDM	2	218913		
7	◆	HOSE CLAMP	2	217083		
8	◆	HOSE CLAMP	2	219022		
9	◆	HOSE CLAMP	2	217772		
10	◆	COVER SEAL - FKM	1	220203		●
12	◆	INSERT STAINLESS STEEL	2	217328		
15	◆	WINDOW	1	220211		
16	◆	HOSE NBR	1	218746	■	●
16	◆	HOSE EPDM	1	218747	■	●
16	◆	HOSE NR	1	218745	■	●
18	◆	STIRRUP PN16	4	217140		
18	◆	STIRRUP PN20	4	219102		
46	◆	WINDOW SEAL EPDM	2	217399		
114	◆	SET OF SHIMS	1	312362.00		
4		REMOVABLE SHIM	(14)			
116	◆	WHEEL FIXATION KIT	1	312798.00		
19	◆	PLATE TO BE SCREWED (CLOSE COUPLING BORE 100)	1	311426.00		
20	◆	HUB	1	218989		
25		TIGHTNESS COVER	(1)			
26	◆	SHAFT SEAL - PB	1	219488		
31		SCREW	(6)			
32		NUT	(6)			
43		SCREW	(4)			
67		SEAL	(1)			
117	◆	BEARING BOX	1	312800.00		
101		BEARING BOX	(1)			
102		SHAFT	(1)			
103		BEARING	(1)			
104		BEARING	(1)			
105		SEAL	(1)			
106		GREASE NIPPLE	(1)			
107		SEAL	(1)			
108		KEY	(1)			
109		KEY	(1)			
119	◆	SET OF ALUMINIUM SHOES	1	312801.00		
4A		FIXED SHIM	(6)			
4B		FIXED SHIM	(4)			
5		SHOE	(2)			
130	◆	PUNCTURE DETECTION KIT	1	311839.00		
130	◆	PUNCTURE DETECTION KIT ATEX	1	313746.00		
50		ELBOW 90°	(1)			
54		VALVE	(1)			
71		NIPPLE	(2)			
72		T JUNCTION	(1)			
73		ELBOW 90°	(1)			
76		NIPPLE	(1)			
77		SLEEVE	(1)			
78		CAPACITIVE DETECTOR	(1)			
84		AMPLIFIER (WITH ATEX KIT)	(1)			

AS80

* 1, 2, 4... : Quantity in equipment - (1), (2), (4)... : Quantity in kit

Item	Available	Description	Qty*	Ref.	Maintenance kit	Wear part
131	◆	VACUUM KIT BY CONNECTION TO THE INLET FLANGE	1	316964.00		
15	◆	WINDOW ADAPTOR	1	218646		
15A	◆	WINDOW	1	220208		
37		SCREW	(14)			
37A		SCREW	(6)			
38A		SEAL WASHER	(6)			
46	◆	WINDOW SEAL EPDM	1	217399		
46A	◆	WINDOW SEAL EPDM	1	217040		
50		ELBOW 90°	(1)			
71		NIPPLE	(1)			
72		T JUNCTION	(1)			
73		ELBOW 90°	(1)			
74		NIPPLE	(1)			
75		VALVE	(1)			
76		NIPPLE	(1)			
77		NIPPLE	(1)			
79		VALVE	(1)			
80		ADAPTATER	(2)			
81		HOSE	(1)			
82		HOSE CLAMP	(2)			
83		VACUUMING FLANGE	(1)			
131	◆	EJECTOR VACUUM KIT FOR A80_AS80 PUMPS	1	311903.00		
15	◆	WINDOW ADAPTOR	1	218646		
15A	◆	WINDOW	1	220208		
37		SCREW	(14)			
37A		SCREW	(6)			
38A		SEAL WASHER	(6)			
46	◆	WINDOW SEAL EPDM	1	217399		
46A	◆	WINDOW SEAL EPDM	1	217040		
50		ELBOW 90°	(1)			
71		NIPPLE	(1)			
72		T JUNCTION	(1)			
73		ELBOW 90°	(1)			
74		NIPPLE	(1)			
75		VALVE	(1)			
76		NIPPLE	(1)			
78A	◆	EJECTOR	1	217749		
1100F	◆	LUBRICANT - GLYCERIN (CAN 10L)	1	314223.00	■	●
1100G	◆	LUBRICANT - GLYCERIN (CAN 30L)	1	314224.00	■	●