



P.L. : 1101-N01

Effective
Replaces

November 2014
October 2012

PARTS LIST

PUMP

A100

Keep this parts lists with Installation, Operation and Maintenance Instructions.

To order the required spare parts, indicate the desired Reference(s).

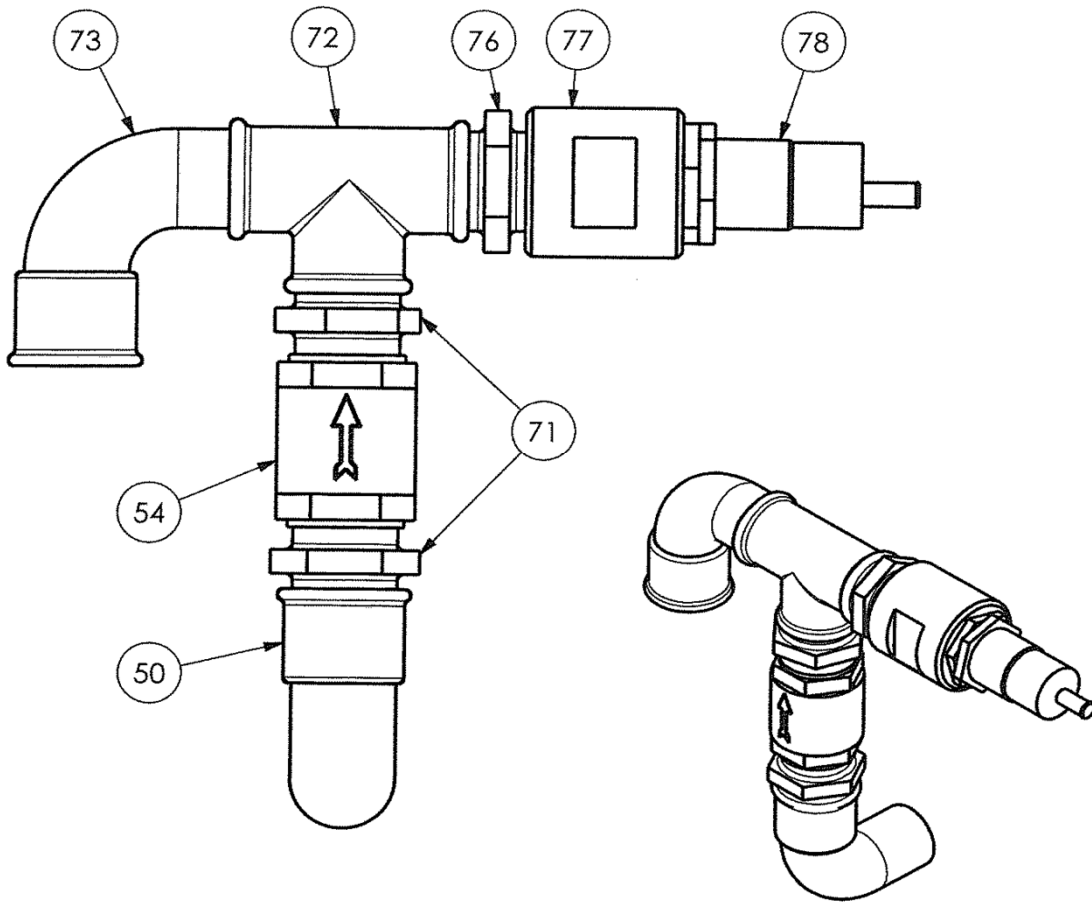
- ◆ Sets of parts or parts available to order.

Z.I. la Plaine des Isles - 2 rue des Caillottes F-89000 AUXERRE - France

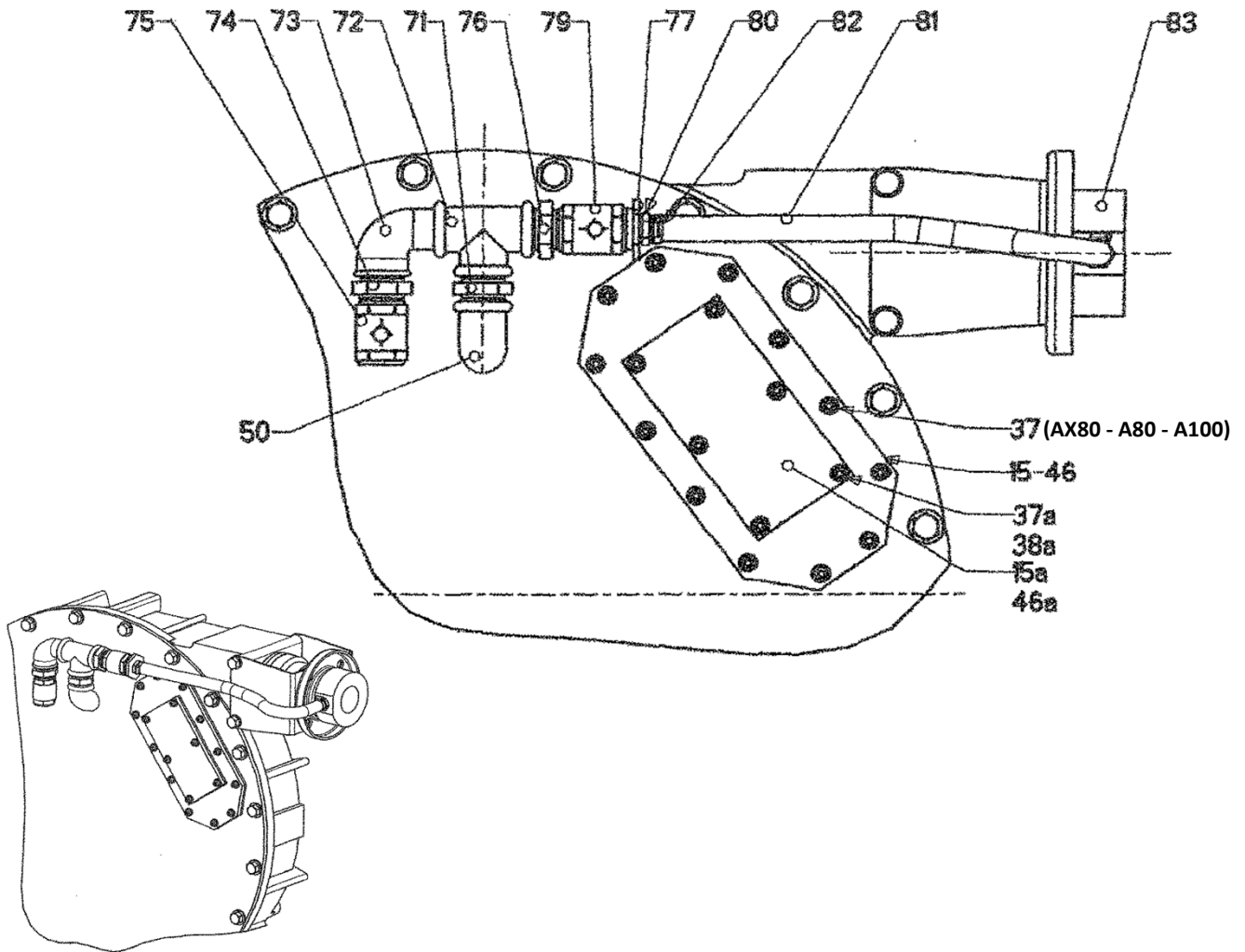
Tel : +33 (0)3 86 49 86 30 • Fax : +33 (0)3 86 49 87 17

contact@mouvex.com • www.mouvex.com

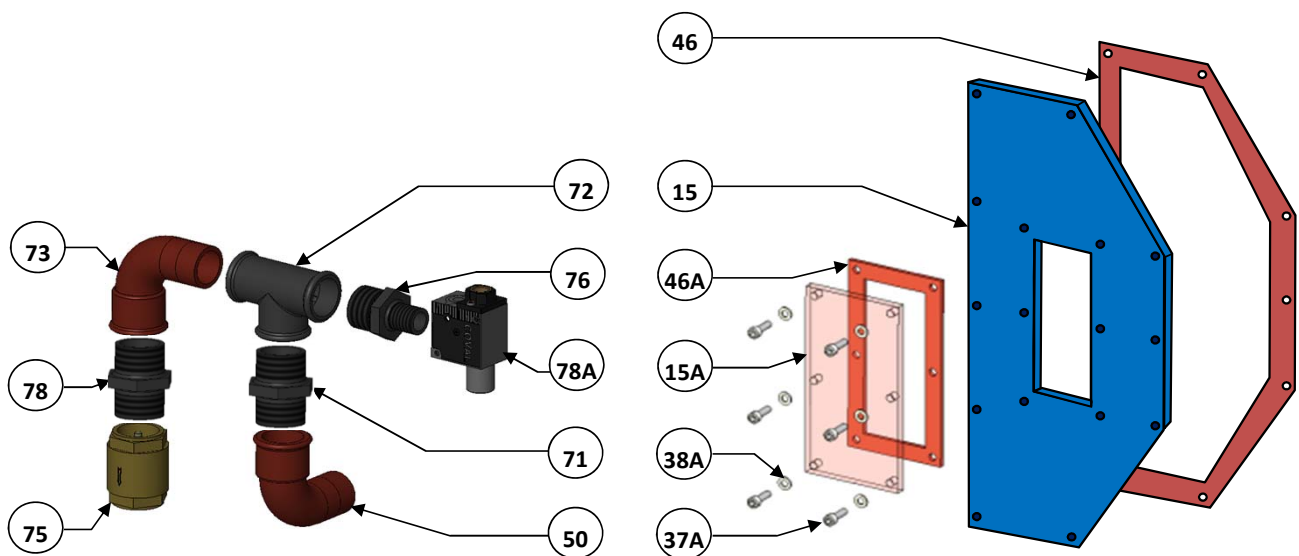
PUNCTURE DETECTION KIT



VACUUM KIT BY CONNECTION TO THE INLET FLANGE



EJECTOR VACUUM KIT



Elbow 50 : on the pump

A100

* 1, 2, 4... : Quantity in equipment - (1), (2), (4)... : Quantity in kit

Item	Available	Description	Qty*	Ref.	Maintenance kit	Wear part
2	◆	COVER	1	220196		
3	◆	WHEEL	1	217295		
6A	◆	NIPPLE + HOSE CLAMP	2	217076		
8	◆	HOSE CLAMP	2	219023		
9	◆	HOSE CLAMP	2	219747		
10	◆	COVER SEAL - FKM	1	220204		●
12	◆	INSERT STAINLESS STEEL	2	217331		
15	◆	WINDOW	1	220212		
16	◆	HOSE EPDM	1	218750	■	●
16	◆	HOSE NBR	1	229480	■	●
16	◆	HOSE NR	1	218748	■	●
18	◆	BRACKET	4	219103		
46	◆	WINDOW SEAL EPDM	2	217400		
114	◆	SET OF SHIMS	1	312363.00		
4		REMOVABLE SHIM	(14)			
116	◆	WHEEL FIXATION KIT	1	312804.00		
25		TIGHTNESS COVER	(1)			
26	◆	SHAFT SEAL (CLOSE COUPLING BORE 100) - FKM	1	220222		
27	◆	SEAL RING	1	219156		
27A	◆	SPACER	1	220427		
43		SCREW	(10)			
62		SCREW	(1)			
67		SEAL	(1)			
110		WASHER	(1)			
119	◆	SET OF IRON SHOES	1	312809.00		
4A		FIXED SHIM	(6)			
4B		FIXED SHIM	(4)			
5		SHOE	(2)			
130	◆	PUNCTURE DETECTION KIT	1	311839.00		
130	◆	PUNCTURE DETECTION KIT ATEX	1	313746.00		
50		ELBOW 90°	(1)			
54		VALVE	(1)			
71		NIPPLE	(2)			
72		T JUNCTION	(1)			
73		ELBOW 90°	(1)			
76		NIPPLE	(1)			
77		SLEEVE	(1)			
78		CAPACITIVE DETECTOR	(1)			
84		AMPLIFIER (WITH ATEX KIT)	(1)			

A100

* 1, 2, 4... : Quantity in equipment - (1), (2), (4)... : Quantity in kit

Item	Available	Description	Qty*	Ref.	Maintenance kit	Wear part
131	◆	VACUUM KIT BY CONNECTION TO THE INLET FLANGE	1	311922.00		
15	◆	WINDOW ADAPTOR	1	218647		
15A	◆	WINDOW	1	220208		
37		SCREW	(12)			
37A		SCREW	(6)			
38A		SEAL WASHER	(6)			
46	◆	WINDOW SEAL EPDM	1	217400		
46A	◆	WINDOW SEAL EPDM	1	217040		
50		ELBOW 90°	(1)			
71		NIPPLE	(1)			
72		T JUNCTION	(1)			
73		ELBOW 90°	(1)			
74		NIPPLE	(1)			
75		VALVE	(1)			
76		NIPPLE	(1)			
77		NIPPLE	(1)			
79		VALVE	(1)			
80		ADAPTATER	(2)			
81		HOSE	(1)			
82		HOSE CLAMP	(2)			
83		VACUUMING FLANGE	(1)			
131	◆	EJECTOR VACUUM KIT FOR A100_AS100_AS125 PUMPS	1	311904.00		
15	◆	WINDOW ADAPTOR	1	218647		
15A	◆	WINDOW	1	220208		
37		SCREW	(12)			
37A		SCREW	(6)			
38A		SEAL WASHER	(6)			
46	◆	WINDOW SEAL EPDM	1	217400		
46A	◆	WINDOW SEAL EPDM	1	217040		
50		ELBOW 90°	(1)			
71		NIPPLE	(1)			
72		T JUNCTION	(1)			
73		ELBOW 90°	(1)			
74		NIPPLE	(1)			
75		VALVE	(1)			
76		NIPPLE	(1)			
78A	◆	EJECTOR	1	217749		
1100G	◆	LUBRICANT - GLYCERIN (CAN 30L)	2	314224.00	■	●
1100N	◆	LUBRICANT - GLYCERIN (CAN 10L)	1	314223.00		●