

PARTS LIST

PUMP

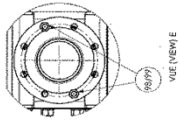
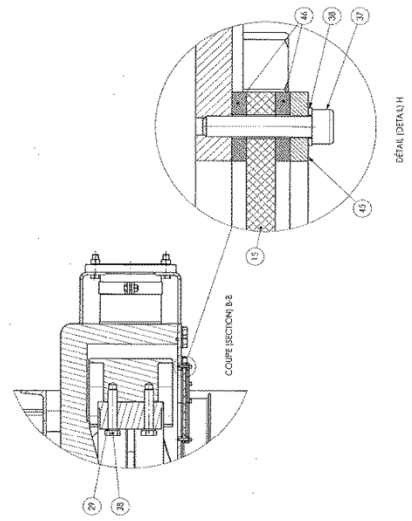
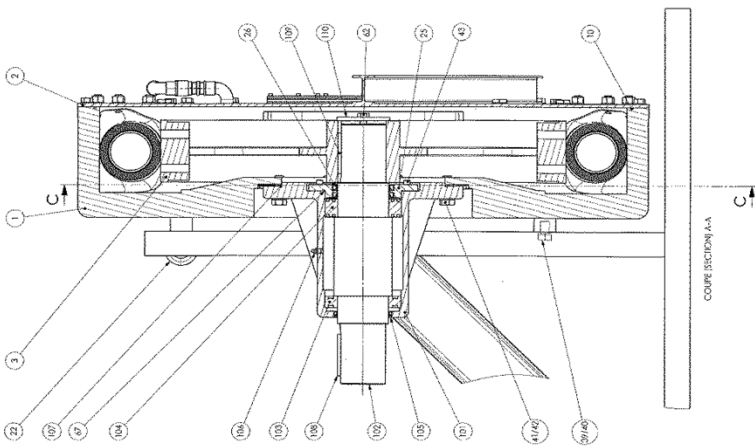
AS125

Keep this parts lists with Installation, Operation and Maintenance Instructions.

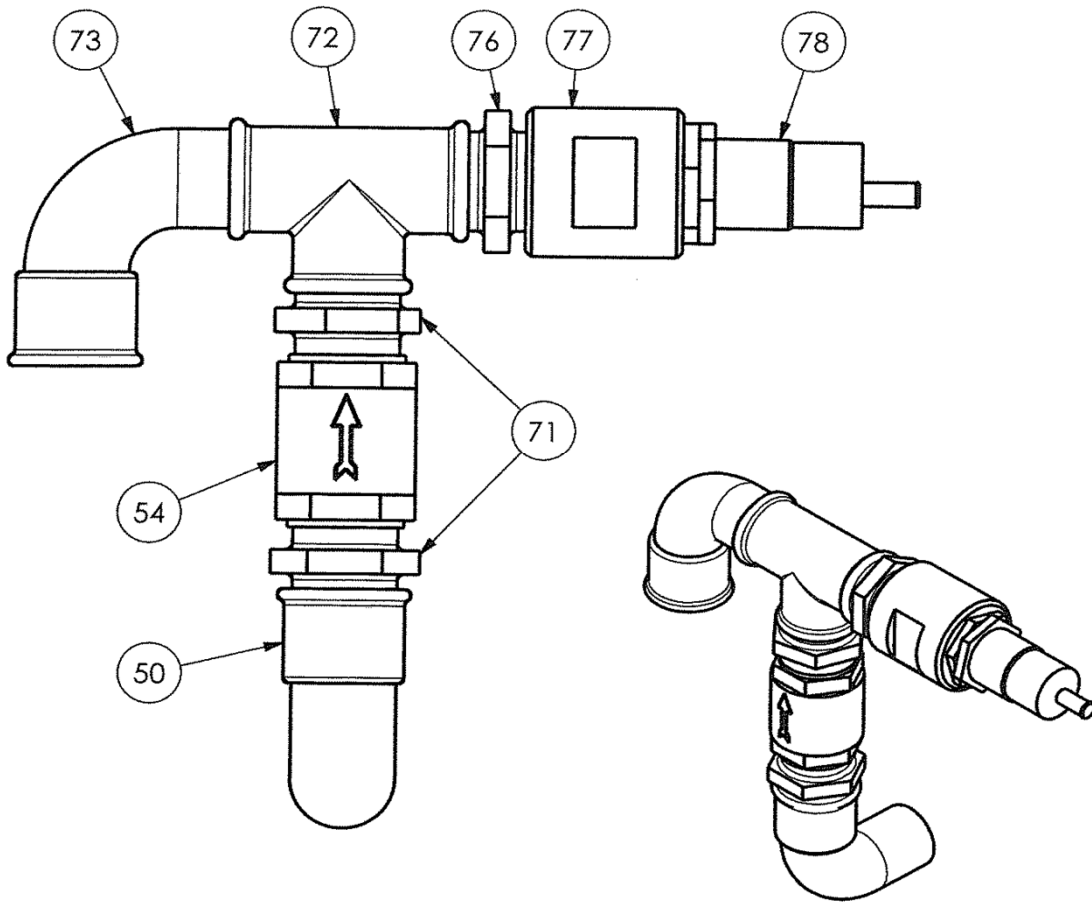
To order the required spare parts, indicate the desired Reference(s).

- ◆ Sets of parts or parts available to order.

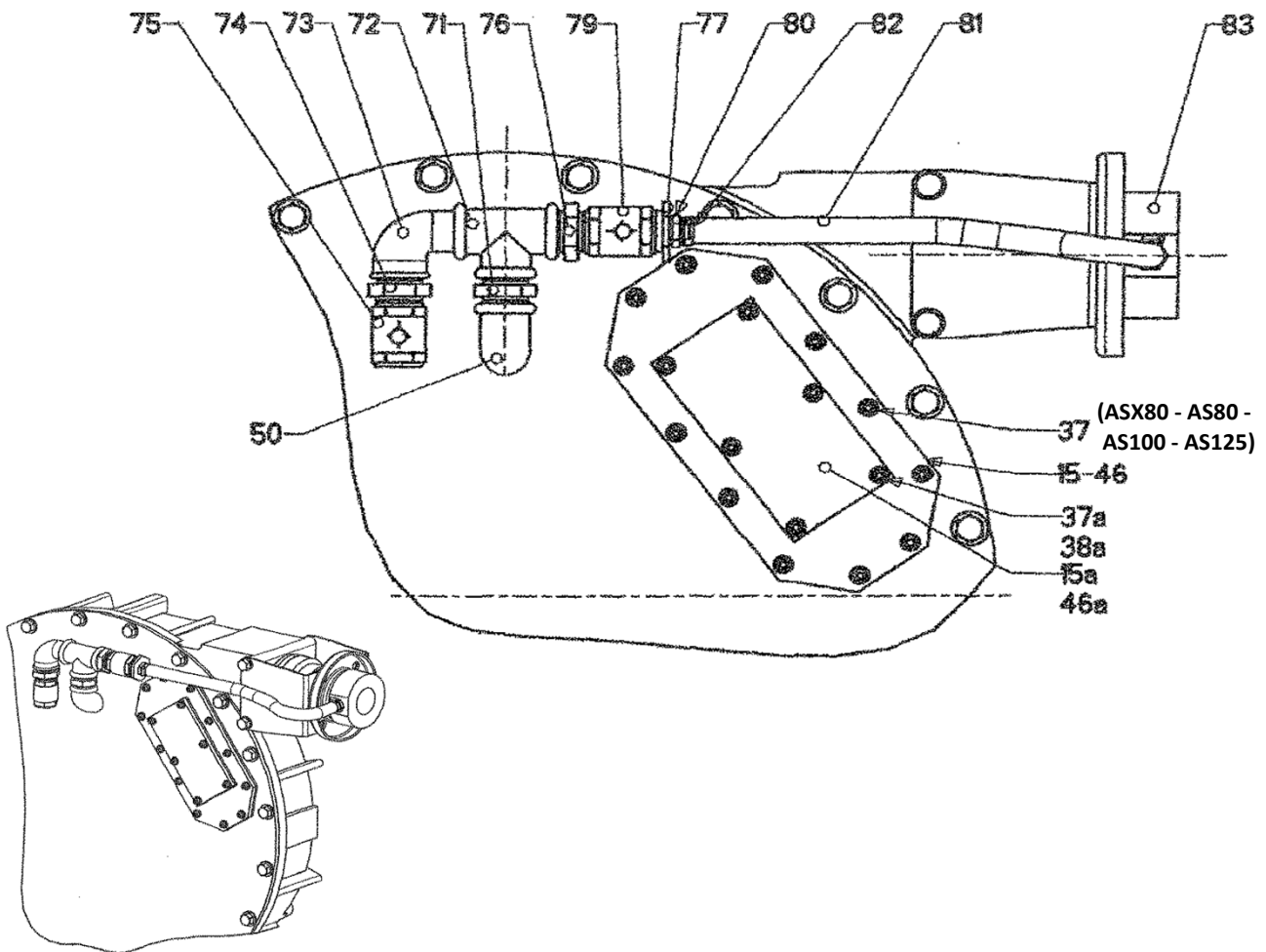
AS125



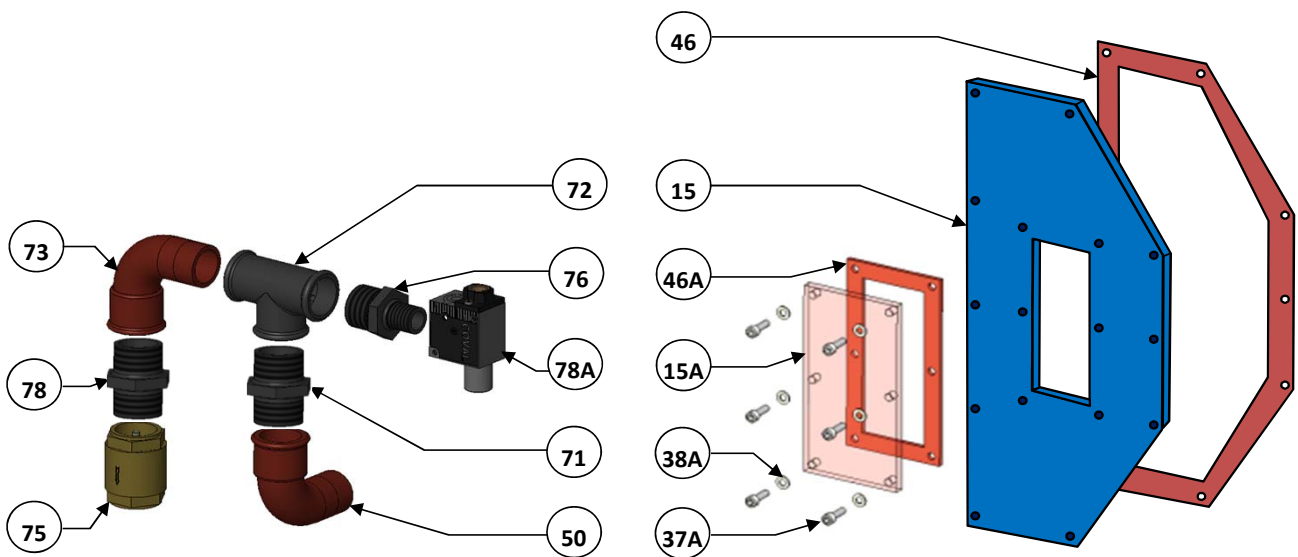
PUNCTURE DETECTION KIT



VACUUM KIT BY CONNECTION TO THE INLET FLANGE



EJECTOR VACUUM KIT



Elbow 50 : on the pump

AS125

* 1, 2, 4... : Quantity in equipment - (1), (2), (4)... : Quantity in kit

Item	Available	Description	Qty*	Ref.	Maintenance kit	Wear part
2	◆	COVER	1	220197		
3	◆	WHEEL	1	217297		
6A	◆	BOOT - EPDM	2	217077		
8	◆	HOSE CLAMP	2	219024		
9	◆	HOSE CLAMP	2	217090		
10	◆	COVER SEAL - FKM	1	220205		●
12	◆	INSERT STAINLESS STEEL	2	217334		
15	◆	WINDOW	1	220212		
16	◆	HOSE NBR	1	218752	■	●
16	◆	HOSE EPDM	1	218753	■	●
16	◆	HOSE NR	1	218751	■	●
18	◆	BRACKET	4	219104		
46	◆	WINDOW SEAL EPDM	2	217400		
114	◆	SET OF SHIMS	1	312364.00		
4		REMOVABLE SHIM	(14)			
116	◆	WHEEL FIXATION KIT	1	312810.00		
62		SCREW	(1)			
110		WASHER	(1)			
117	◆	BEARING BOX	1	312819.00		
25		TIGHTNESS COVER	(1)			
26	◆	SHAFT SEAL - FKM	2	220291		
43		SCREW	(8)			
67		SEAL	(1)			
101		BEARING BOX	(1)			
102		SHAFT	(1)			
103		BEARING	(1)			
104		BEARING	(1)			
105		SEAL	(1)			
106		GREASE NIPPLE	(1)			
107		SEAL	(1)			
108		KEY	(1)			
109		KEY	(1)			
119	◆	SET OF IRON SHOES	1	312821.00		
4A		FIXED SHIM	(8)			
4B		FIXED SHIM	(4)			
5		SHOE	(2)			
130	◆	PUNCTURE DETECTION KIT	1	311839.00		
130	◆	PUNCTURE DETECTION KIT ATEX	1	313746.00		
50		ELBOW 90°	(1)			
54		VALVE	(1)			
71		NIPPLE	(2)			
72		T JUNCTION	(1)			
73		ELBOW 90°	(1)			
76		NIPPLE	(1)			
77		SLEEVE	(1)			
78		CAPACITIVE DETECTOR	(1)			
84		AMPLIFIER (WITH ATEX KIT)	(1)			

AS125

* 1, 2, 4... : Quantity in equipment - (1), (2), (4)... : Quantity in kit

Item	Available	Description	Qty*	Ref.	Maintenance kit	Wear part
131	◆	VACUUM KIT BY CONNECTION TO THE INLET FLANGE	1	311923.00		
15	◆	WINDOW ADAPTOR	1	218647		
15A	◆	WINDOW	1	220208		
37		SCREW	(12)			
37A		SCREW	(6)			
38A		SEAL WASHER	(6)			
46	◆	WINDOW SEAL EPDM	1	217400		
46A	◆	WINDOW SEAL EPDM	1	217040		
50		ELBOW 90°	(1)			
71		NIPPLE	(1)			
72		T JUNCTION	(1)			
73		ELBOW 90°	(1)			
74		NIPPLE	(1)			
75		VALVE	(1)			
76		NIPPLE	(1)			
77		NIPPLE	(1)			
79		VALVE	(1)			
80		ADAPTATER	(2)			
81		HOSE	(1)			
82		HOSE CLAMP	(2)			
83		VACUUMING FLANGE	(1)			
131	◆	EJECTOR VACUUM KIT FOR A100_AS100_AS125 PUMPS	1	311904.00		
15	◆	WINDOW ADAPTOR	1	218647		
15A	◆	WINDOW	1	220208		
37		SCREW	(12)			
37A		SCREW	(6)			
38A		SEAL WASHER	(6)			
46	◆	WINDOW SEAL EPDM	1	217400		
46A	◆	WINDOW SEAL EPDM	1	217040		
50		ELBOW 90°	(1)			
71		NIPPLE	(1)			
72		T JUNCTION	(1)			
73		ELBOW 90°	(1)			
74		NIPPLE	(1)			
75		VALVE	(1)			
76		NIPPLE	(1)			
78A	◆	EJECTOR	1	217749		
1100G	◆	LUBRICANT - GLYCERIN (CAN 30L)	4	314224.00	■	●
1100N	◆	LUBRICANT - GLYCERIN (CAN 10L)	1	314223.00		●