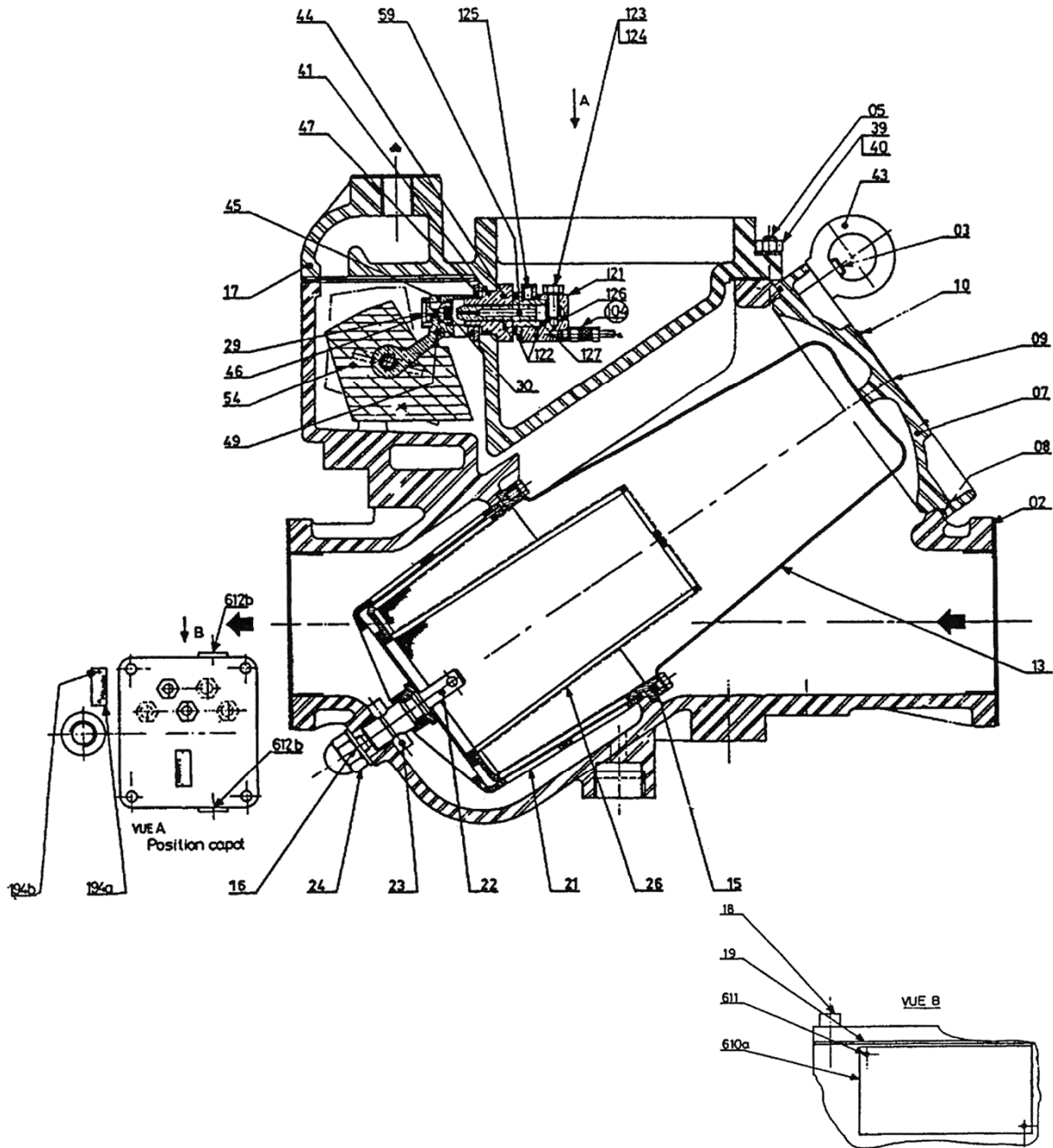


Section	1138
Effective	January 2013
Replaces	New

(See Instructions 1138 for Installation, Operation and Maintenance)

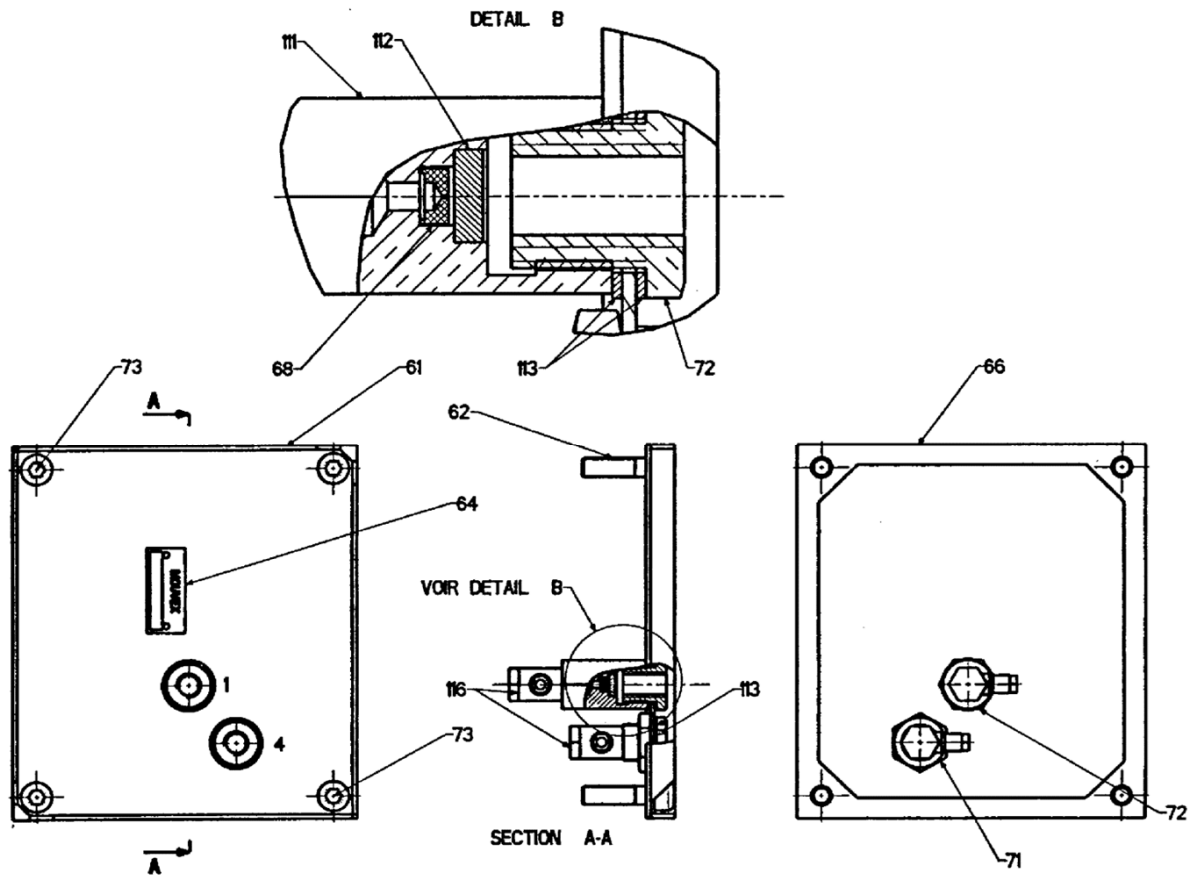


Article code	Description	Qty order /	Reference	Wear parts	Notes
309828.03	COMPLETE CASING	1	1		◆
	Casing	1	2		
	Stud	2	3		See 200
	Stud	2	5		See 200
304749.00	COMPLETE FILTER COVER	1	6		◆
	Cover	1	7		
	Cover O-ring	1	8		See 200
	Specification plate	1	9		
	Rivet	2	10		
	Nut	2	43		See 200
	DMX serial number plate	1	194a		
	Cover serial number plate	1	610a		
	Rivet	2	611		
	Rivet	2	194b		

COMPLETE DMX COVER

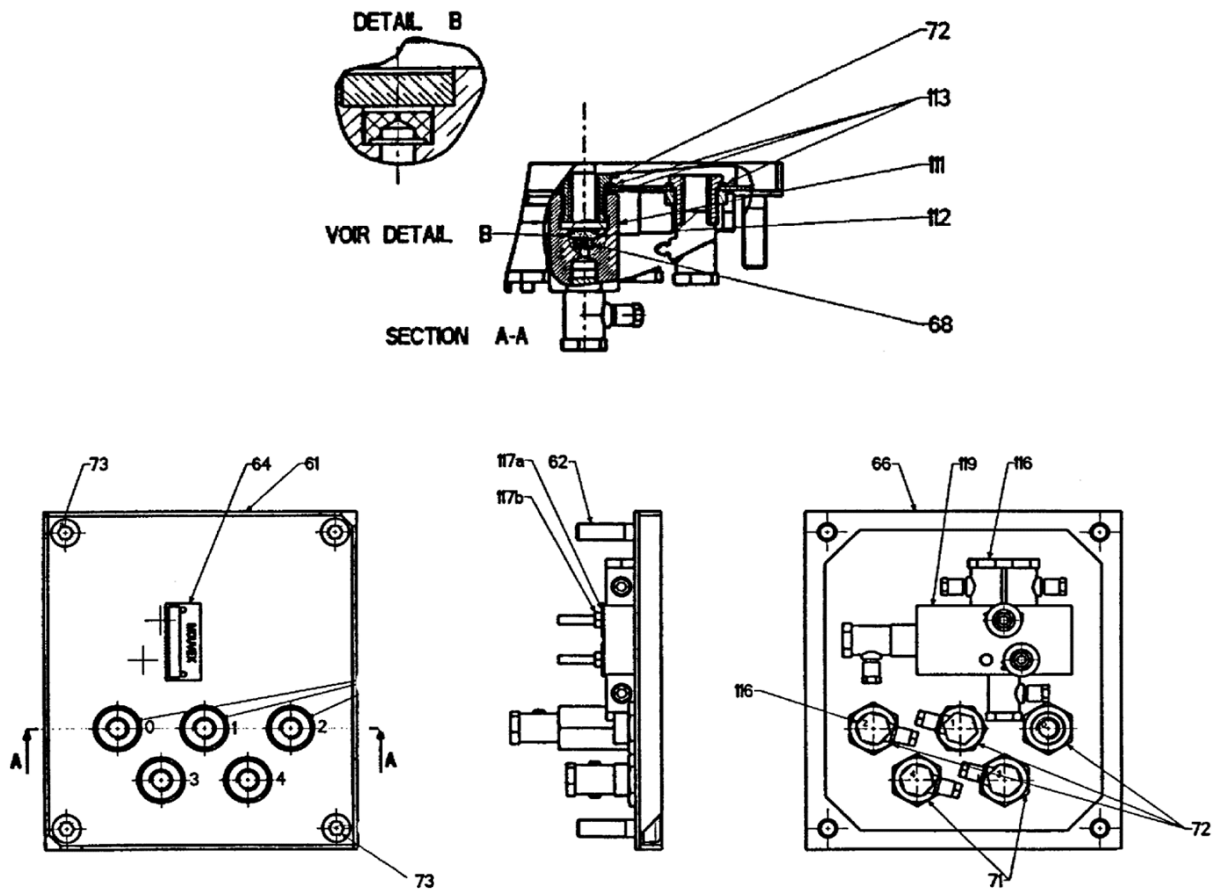
Article code	Description	Qty order /	Reference	Wear parts	Notes
304751.03	COMPLETE DMX COVER ■	1	14	X	◆
	Cover	1	17		
	Screw CHC M8 X 25	2	18		See 205
208884	Gasket	1	19		See 205
	Nut HM8	2	39		See 205
	Washer	2	40		See 205
304752.00	FLOAT VALVE SEAT ASSEMBLY	1	50		◆
304753.00	FLOAT VALVE ASSEMBLY	1	29		◆
	Valve (not shown)	1	29A		
	Valve body	1	45		
	Pin (not shown)	1	51		
200665	O-ring	1	41		▲
	Seat support	1	44		
	Washer	1	47		
311786.04	COMPLETE FLOAT	1	54		◆
209252	Valve seat	1	59		▲
305688.00	COMPLETE BALL VALVE	1	120		◆
	Nipple	1	104		
	Valve body	1	121		
	O-ring	2	122		
	Screw HM 6 X 16	1	123		
	Flat seal	1	124		
	Screw HC M5 X 8	1	125		
	Ball	1	126		
	Support	1	127		
302232.00	COMPLETE BOTTOM BASKET ■	1	20	X	◆
	Seal	1	16		See 200
	Basket	1	21		
	Pin	1	23		
	Nut	1	24		See 200
304750.00	COMPLETE TOP BASKET ■	1	25	X	◆
	Spring handle	1	13		
	Screw	2	15		
	Basket	1	25		

COMPLETE DMX PNEUMATIC COVER



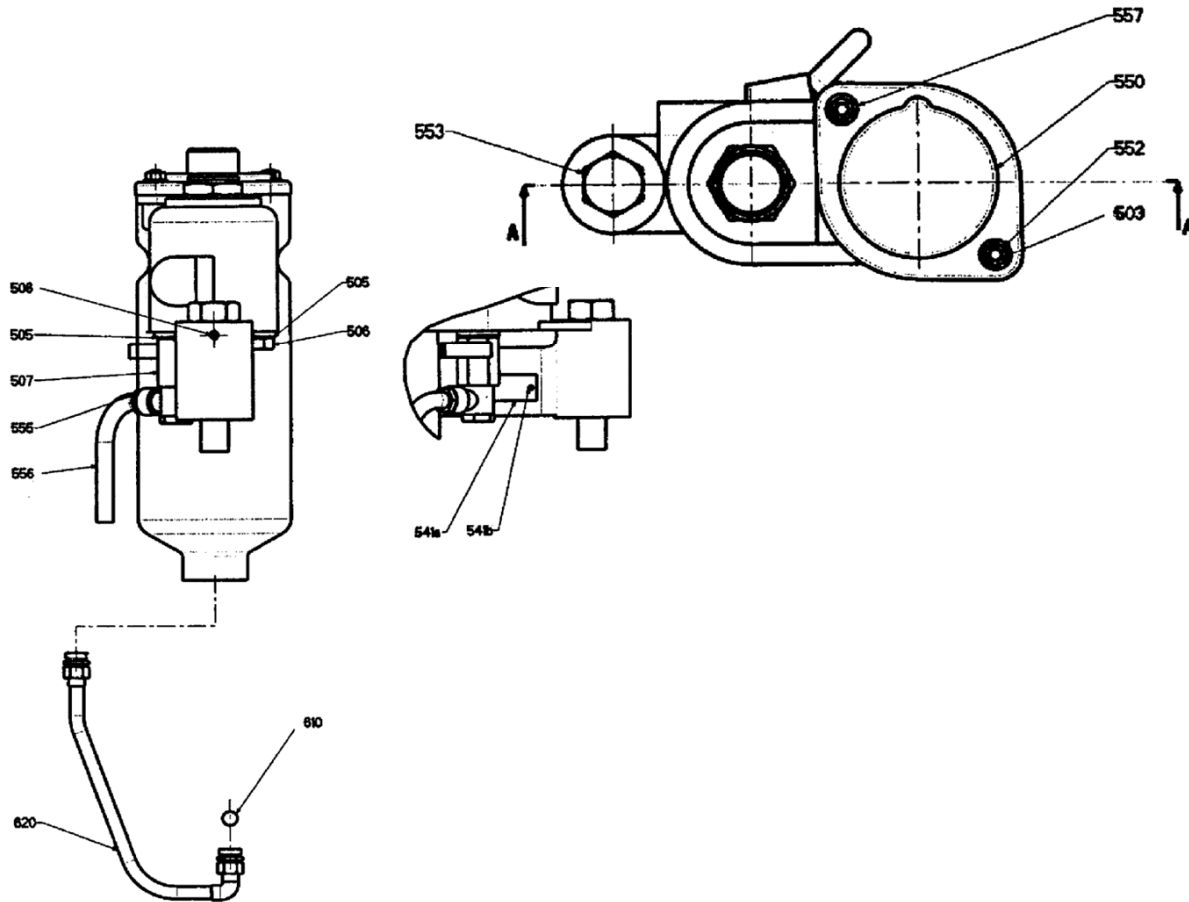
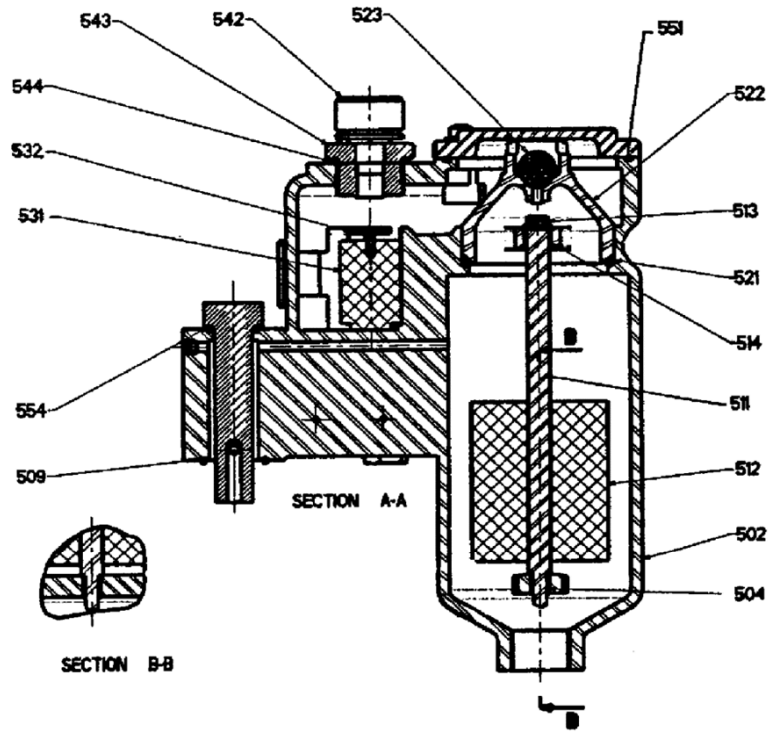
Article code	Description	Qty order /	Reference	Wear parts	Notes
304755.08	COMPLETE DMX PNEUMATIC COVER ■	1	60		◆
	Cover	1	61		
	Screw CHC M8 X 50	4	62		See 205
	Pneumatic cover serial number plate	1	64		
218182	Gasket	1	66		▲ See 205
	Valve	1	68		See 205
	Connector to seal	1	71		
	Connector	1	72		
	Lead seal	2	73		See 205
	Complete pneumatic	1	80		
	Y connector (not shown)	1	84		
	Hose (not shown)	1	94		
	Banjo connector	2	116		
	Valve body	1	111		
	Filter	1	112		
	Gasket	3	113		

COMPLETE DMX MF PNEUMATIC COVER



Article code	Description	Qty order /	Reference	Wear parts	Notes
304766.08	COMPLETE DMX MF PNEUMATIC COVER ■	1	60		◆
	Cover	1	61		
	Screw CHC M8 X 50	4	62		See 205
	Pneumatic cover serial number plate	1	64		
218182	Gasket	1	66		▲ See 205
	Valve	1	68		See 205
	Connector to seal	2	71		
	Connector	3	72		
	Leadseal	2	73		See 205
	Complete pneumatic	1	80		
	Y connector (not shown)	1	84		
	Hose (not shown)	1	94		
	Banjo connector	8	116		
211206	Pneumatic distributor	1	119		▲
	Valve body	1	111		
	Filter	1	112		
	Gasket	6	113		
	Washer	2	117a		
	Nut HM4	2	117b		

COMPLETE DRY VALVE



COMPLETE DRY VALVE

Article code	Description	Qty order /	Reference	Wear parts	Notes
309799.08	COMPLETE DRY VALVE ■	1	180		◆
	DRY VALVE COMPLETE CASING	1	501		
	Casing	1	502		
	Stud	2	503		
	Bearing	1	504		
	Gasket	3	505		
	Plug	1	506		
203446	Valve	1	507		▲
	Plug screw HC M6 X 5	1	508		
	O-ring	1	509		See 560
309801.03	DRY VALVE COMPLETE FLOAT	1	510	X	◆
	Rod	1	511		
	Float	1	512		
	Seal	1	513		
309802.03	COMPLETE DOUBLE SEAT	1	520		◆
	Bearing	1	514		
	O-ring	1	521		See 560
	Double seat	1	522		
	Ball	1	523		See 560
309803.01	COMPLETE SAFETY FLOAT	1	530		◆
	Safety float	1	531		
	Seal	1	532		
314707.00	Breather	1	542		◆
	Safety seat	1	543		
	Gasket	1	544		See 560
	Cover	1	550		
	O-ring	1	551		See 560
	Nut HM6	2	552		
	Banjo screw	1	553		
	O-ring	1	554		See 560
	Banjo connector	1	555		
	Hose	1	556		
	Washer	2	557		
309806.07	COMPLETE PIPE	1	620		◆
	Ball ■	1	610		See 560
	Dry valve serial number plate	1	541A		
	Rivet	2	541B		

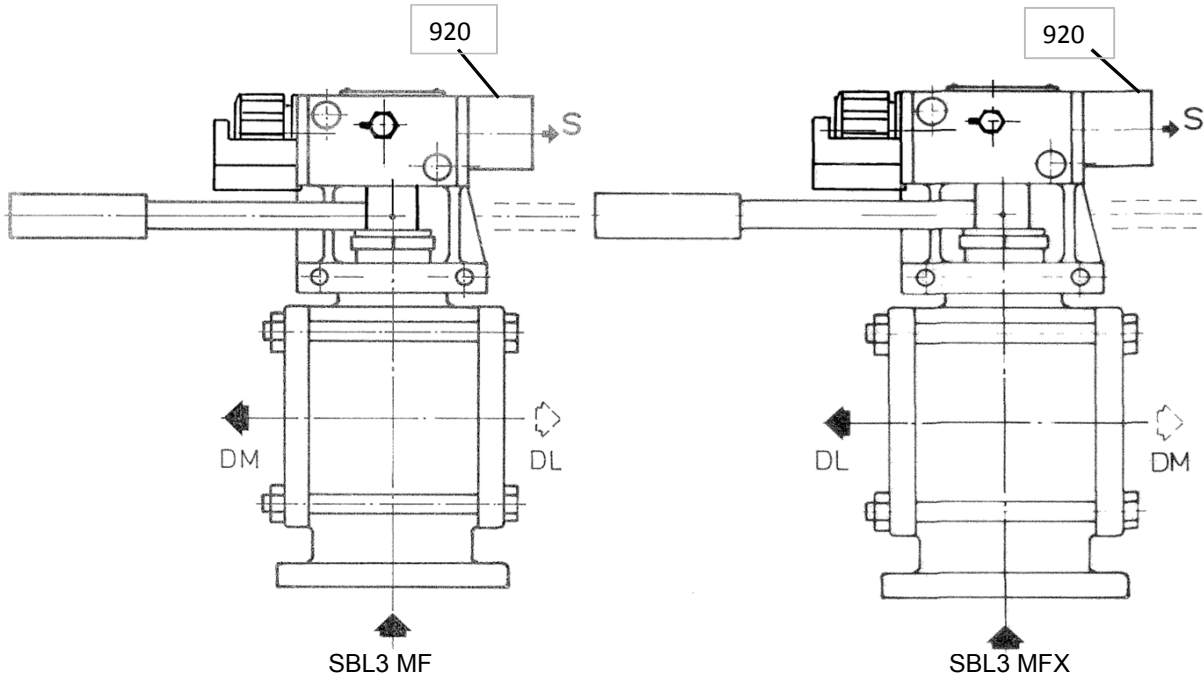
SET OF SEALS

Article code	Description	Qty order /	Reference	Wear parts	Notes
304764.00	SET OF SEALS AND FILTERS SCREWS ■ (3+5+8+16+24+43)	1	200		◆
304765.00	SET OF SEALS AND DMX SCREWS ■ (18+19+39+40+62+66+68+73)	1	205		◆
309805.03	SET OF SEALS AND DRY VALVE BALLS ■ (509+521+523+544+551+554+610)	1	560		◆

PLATE

Article code	Description	Qty order /	Reference	Wear parts	Notes
314053.00	COMPLETE METERING ASSEMBLY PLATE (not shown)	1	195		◆

VALVE SBL MF / MFX



Article code	Description	Qty order /	Reference	Wear parts	Notes
304548.00	MF PNEUMATIC UNIT	1	920		◆
305735.00	MFX PNEUMATIC UNIT	1	920		◆

- (■) Recommended parts to have on stock
- (◆) Sets of parts sold only in a kit or (▲) parts available to order.

Keep this parts lists with Installation, Operation and Maintenance Instructions.
To order the required spare parts, indicate the appropriate CUM numbers.



Z.I. la Plaine des Isles - 2 rue des Caillottes F-89000 AUXERRE - France
Tél : +33 (0)3 86 49 86 30 • Fax : +33 (0)3 86 49 87 17
contact@mouvex.com • www.mouvex.com