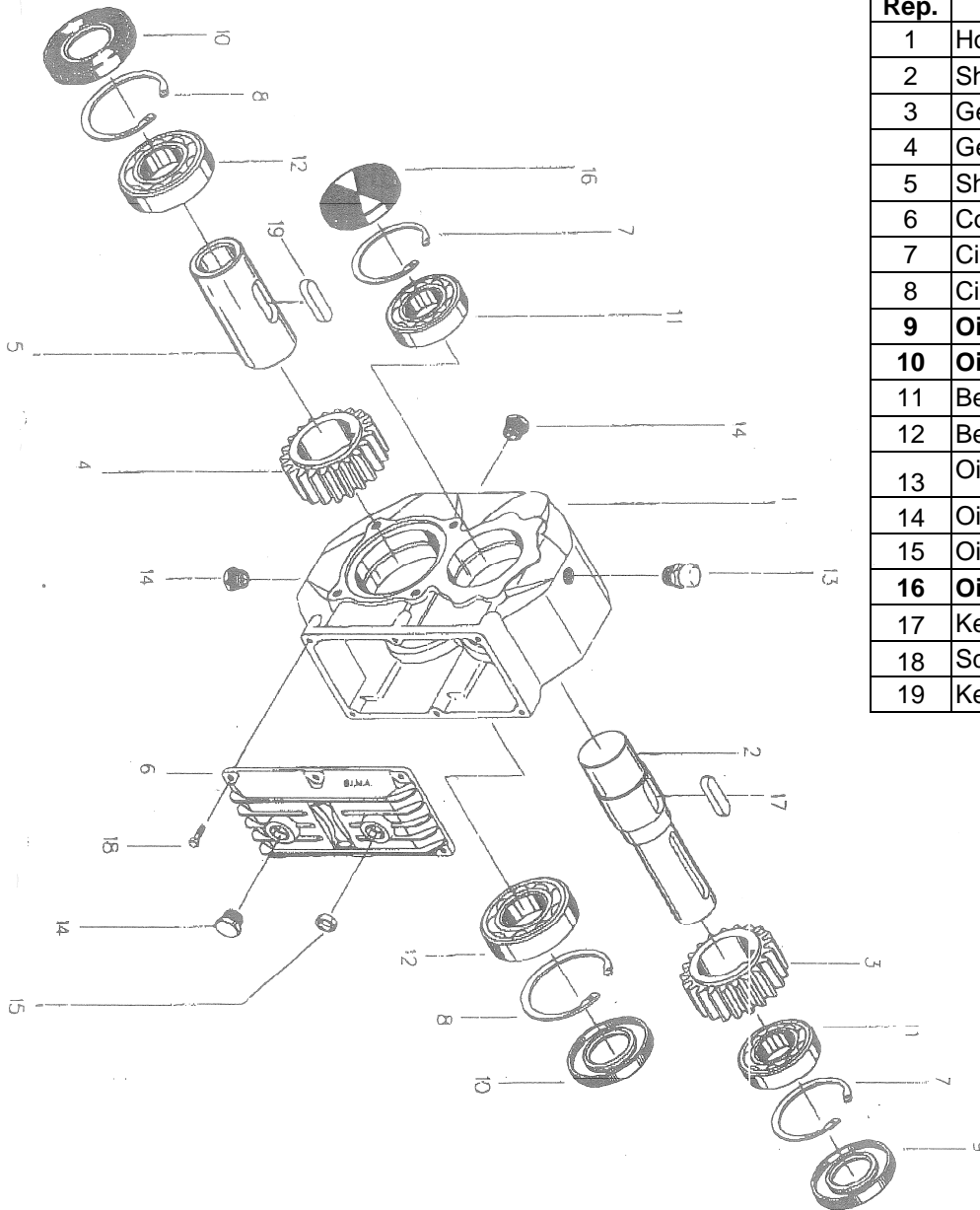


MOUVEX SPARE PARTS LIST B600 - MISTRAL - TYPHON II INVERSOR

(Use IOM 1401-C00 for operation and installation requirements)

| | |
|-------------------|--------------------|
| Ref 220253 | PL 1401-C01 |
| Section Effective | 1401 Sept. 2010 |
| Replaces | April 2005 |

Old style 1 : 1 inverter (*)

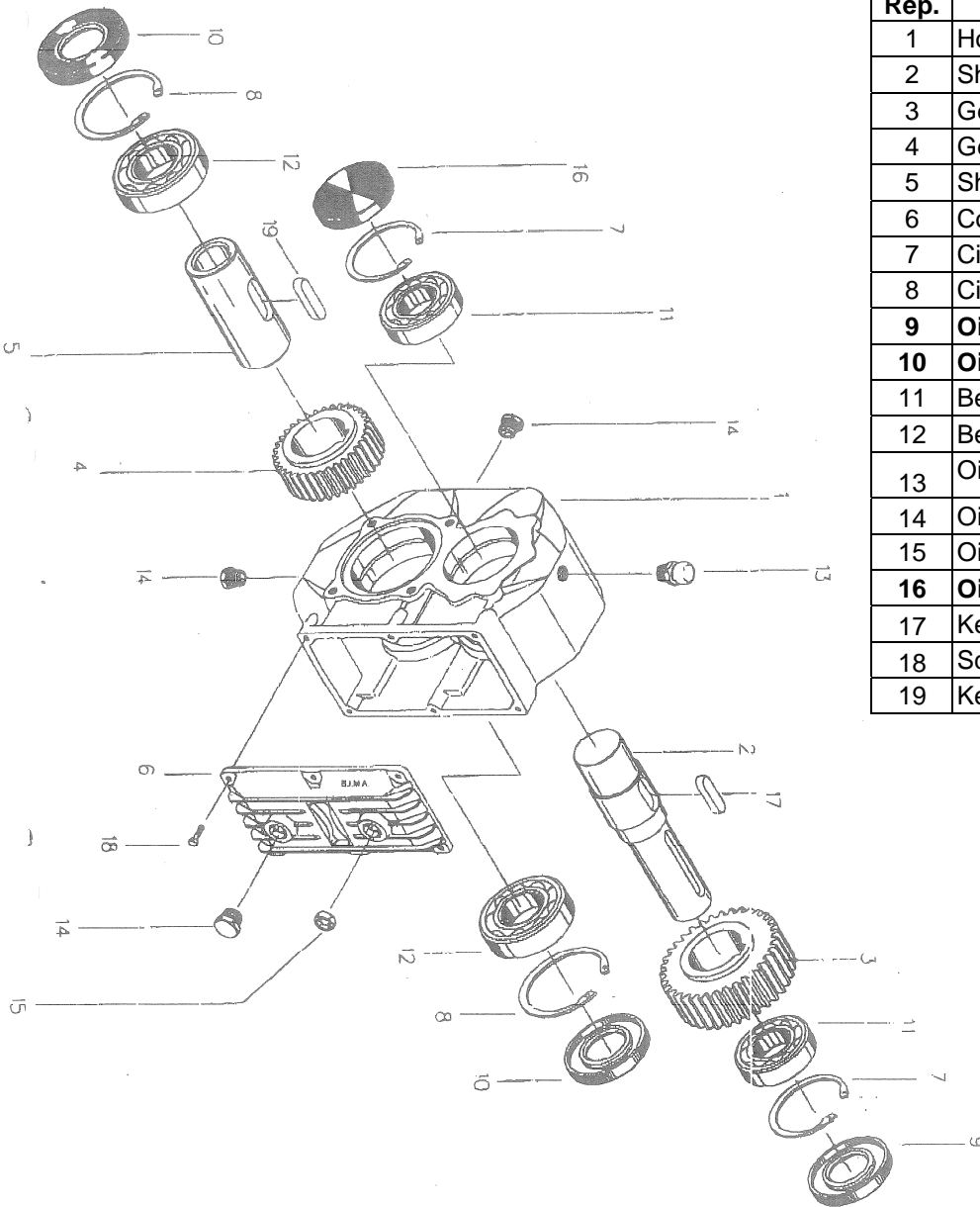


| Rep. | Descr. | Qty | CUM |
|-----------|-----------------|----------|---------------|
| 1 | Housing | 1 | 220335 |
| 2 | Shaft | 1 | 220336 |
| 3 | Gear | 1 | 220337 |
| 4 | Gear | 1 | 220337 |
| 5 | Shaft | 1 | 220339 |
| 6 | Cover | 1 | 220340 |
| 7 | Circlip | 2 | 220341 |
| 8 | Circlip | 2 | 220342 |
| 9 | Oil seal | 1 | 220343 |
| 10 | Oil seal | 2 | 220344 |
| 11 | Bearing | 2 | 207655 |
| 12 | Bearing | 2 | 220346 |
| 13 | Oil plug | 1 | 220347 |
| 14 | Oil plug | 3 | 220348 |
| 15 | Oil plug | 1 | 220349 |
| 16 | Oil plug | 1 | 220350 |
| 17 | Key | 1 | 220351 |
| 18 | Screw | 6 | 220352 |
| 19 | Key | 1 | 220353 |

The sellable parts are in bold in the above table.

(*) Old style inverter do not have serial numbers. Inverter ratio is printed on the nameplate of the inverter.

Old style 1 : 1.5 inversor (*)

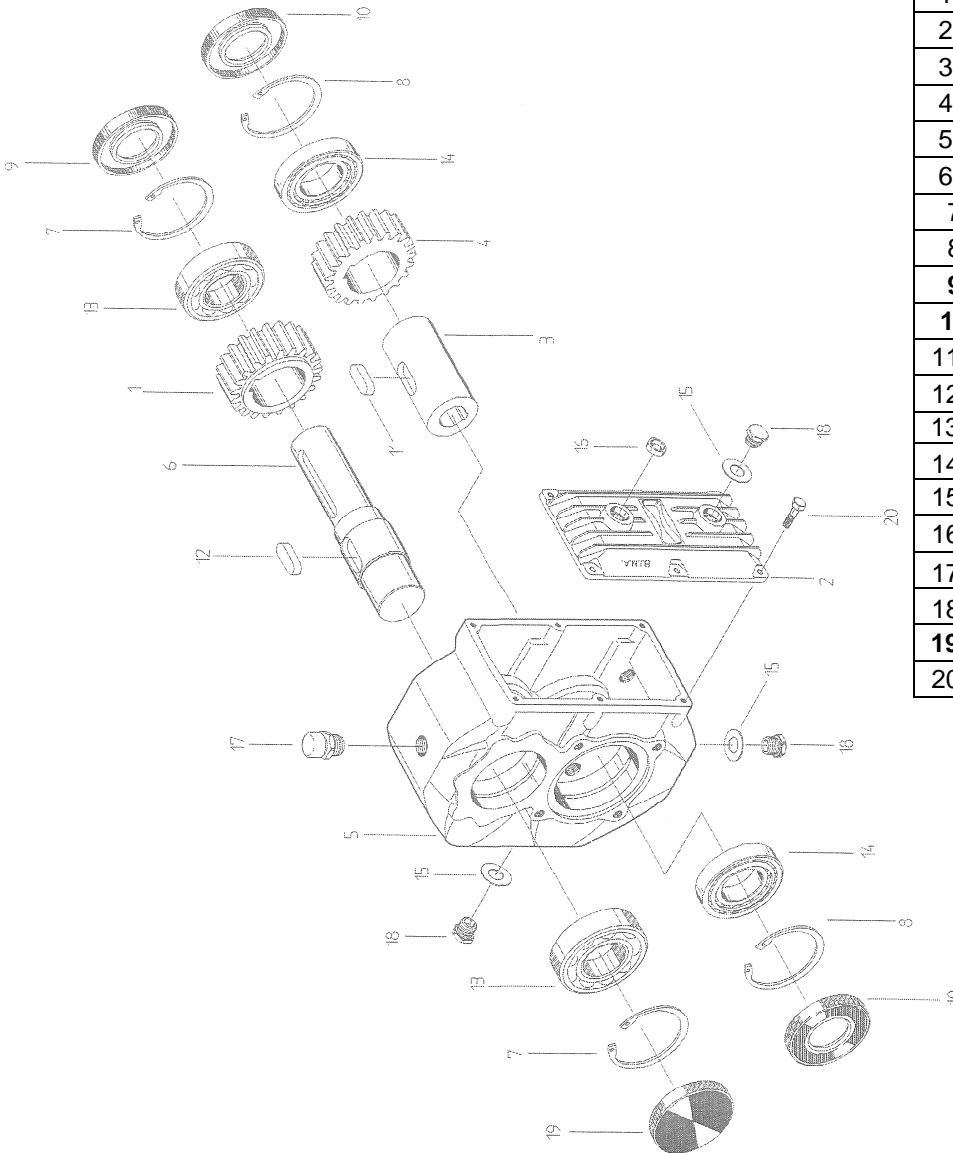


| Rep. | Descr. | Qty | CUM |
|-----------|-----------------|----------|---------------|
| 1 | Housing | 1 | 220335 |
| 2 | Shaft | 1 | 220336 |
| 3 | Gear | 1 | 220354 |
| 4 | Gear | 1 | 220355 |
| 5 | Shaft | 1 | 220339 |
| 6 | Cover | 1 | 220340 |
| 7 | Circlip | 2 | 220341 |
| 8 | Circlip | 2 | 220342 |
| 9 | Oil seal | 1 | 220343 |
| 10 | Oil seal | 2 | 220344 |
| 11 | Bearing | 2 | 207655 |
| 12 | Bearing | 2 | 220346 |
| 13 | Oil plug | 1 | 220347 |
| 14 | Oil plug | 3 | 220348 |
| 15 | Oil plug | 1 | 220349 |
| 16 | Oil plug | 1 | 220350 |
| 17 | Key | 1 | 220351 |
| 18 | Screw | 6 | 220352 |
| 19 | Key | 1 | 220353 |

The sellable parts are in bold in the above table.

(*) Old style inversor do not have serial numbers. Inversor ratio is printed on the nameplate of the inversor.

New style 1 : 1 inverter (*)

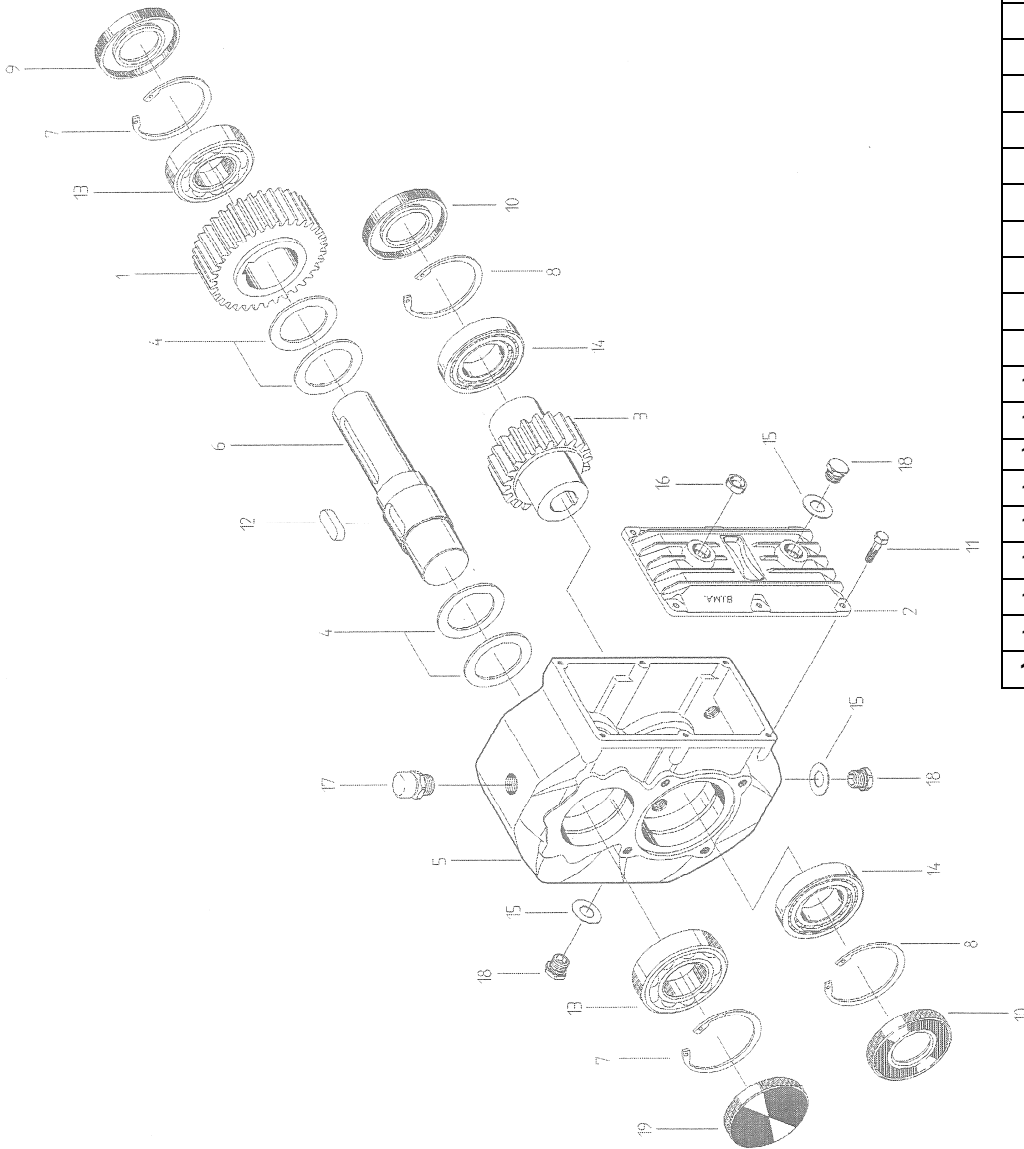


| Rep. | Descr. | Qty | CUM |
|------------|-----------------|----------|---------------|
| 1A | Gear | 1 | 220356 |
| 2A | Cover | 1 | 220340 |
| 3A | Shaft | 1 | 220357 |
| 4A | Gear | 1 | 220355 |
| 5A | Housing | 1 | 220335 |
| 6A | Shaft | 1 | 220336 |
| 7 | Circlip | 2 | 220341 |
| 8 | Circlip | 2 | 220342 |
| 9 | Oil seal | 1 | 220343 |
| 10 | Oil seal | 2 | 220344 |
| 11A | Key | 1 | 220359 |
| 12A | Key | 1 | 220351 |
| 13A | Bearing | 2 | 207655 |
| 14A | Bearing | 2 | 220360 |
| 15A | Sleeve | 3 | 220361 |
| 16A | Oil plug | 1 | 220349 |
| 17A | Oil plug | 1 | 220347 |
| 18A | Oil plug | 3 | 220348 |
| 19A | Oil seal | 1 | 220350 |
| 20A | Screw | 6 | 220352 |

The sellable parts are in bold in the above table.

(*) Old style inverter do not have serial numbers. Inverter ratio is printed on the nameplate of the inverter.

New style 1 : 1.5 inversor (*)



| Rep. | Descr. | Qty | CUM |
|------------|-----------------|----------|---------------|
| 1A | Gear | 1 | 220362 |
| 2A | Cover | 1 | 220340 |
| 3A | Shaft | 1 | 220363 |
| 4A | Sleeve | 4 | 220364 |
| 5A | Housing | 1 | 220335 |
| 6A | Shaft | 1 | 220336 |
| 7 | Circlip | 2 | 220341 |
| 8 | Circlip | 2 | 220342 |
| 9 | Oil seal | 1 | 220343 |
| 10 | Oil seal | 2 | 220344 |
| 11A | Screw | 6 | 220352 |
| 12A | Key | 1 | 220351 |
| 13A | Bearing | 2 | 207655 |
| 14A | Bearing | 2 | 220360 |
| 15A | Sleeve | 3 | 220361 |
| 16A | Oil plug | 1 | 220349 |
| 17A | Oil plug | 1 | 220347 |
| 18A | Oil plug | 3 | 220348 |
| 19A | Oil seal | 1 | 220350 |

The sellable parts are in bold in the above table.

(*) Old style inverter do not have serial numbers. Inverter ratio is printed on the nameplate of the inverter.