



P.L. : 1401-V01

Effective
Replaces

April 2017
September 2015

PARTS LIST
DIRECT DRIVE PACKAGES XL DDIC
TYPHON II

Keep this parts lists with Installation, Operation and Maintenance Instructions.

To order the required spare parts, indicate the desired Reference(s).

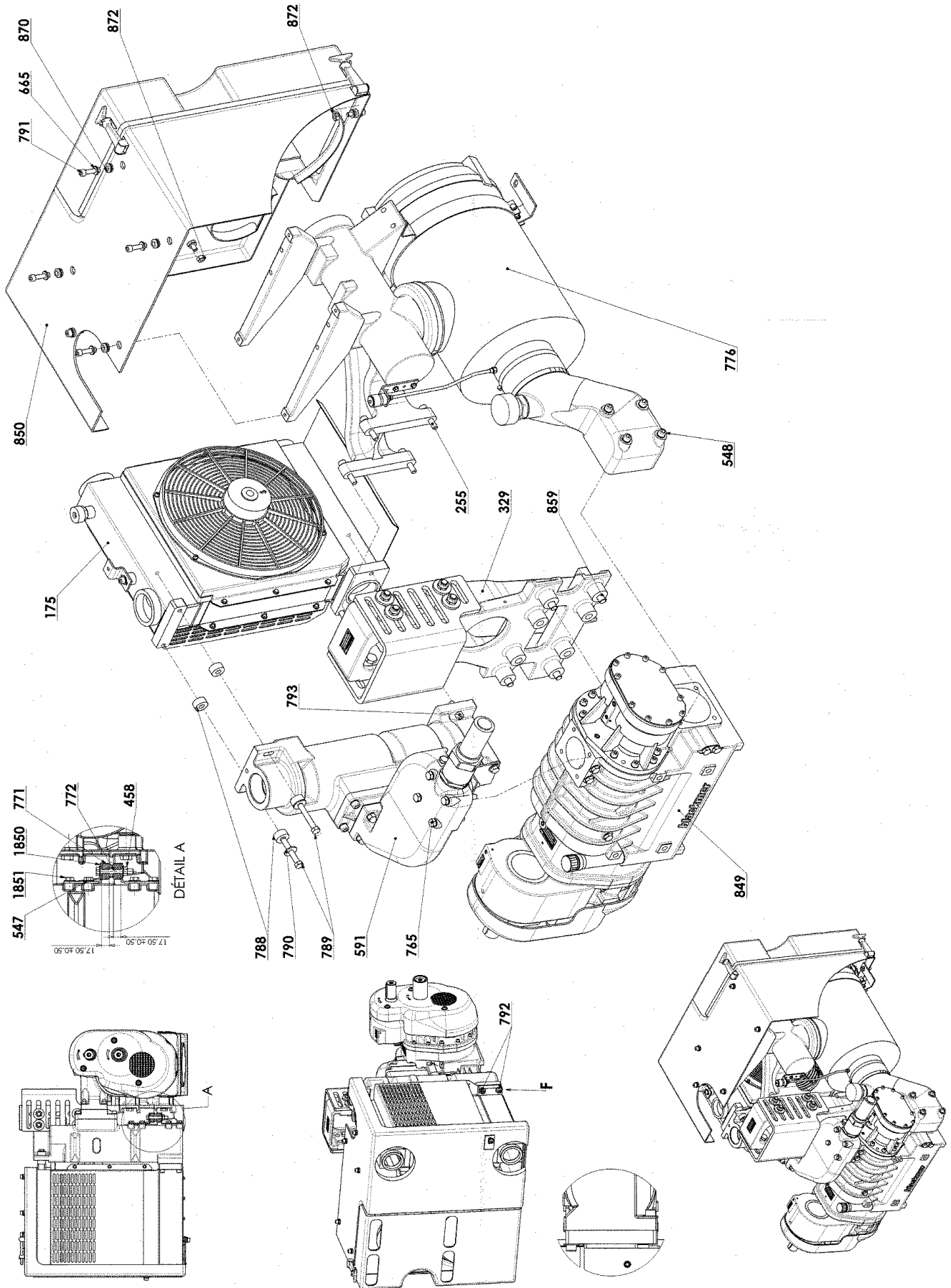
- ◆ Sets of parts or parts available to order.

COMPRESSOR : See PL Compressor

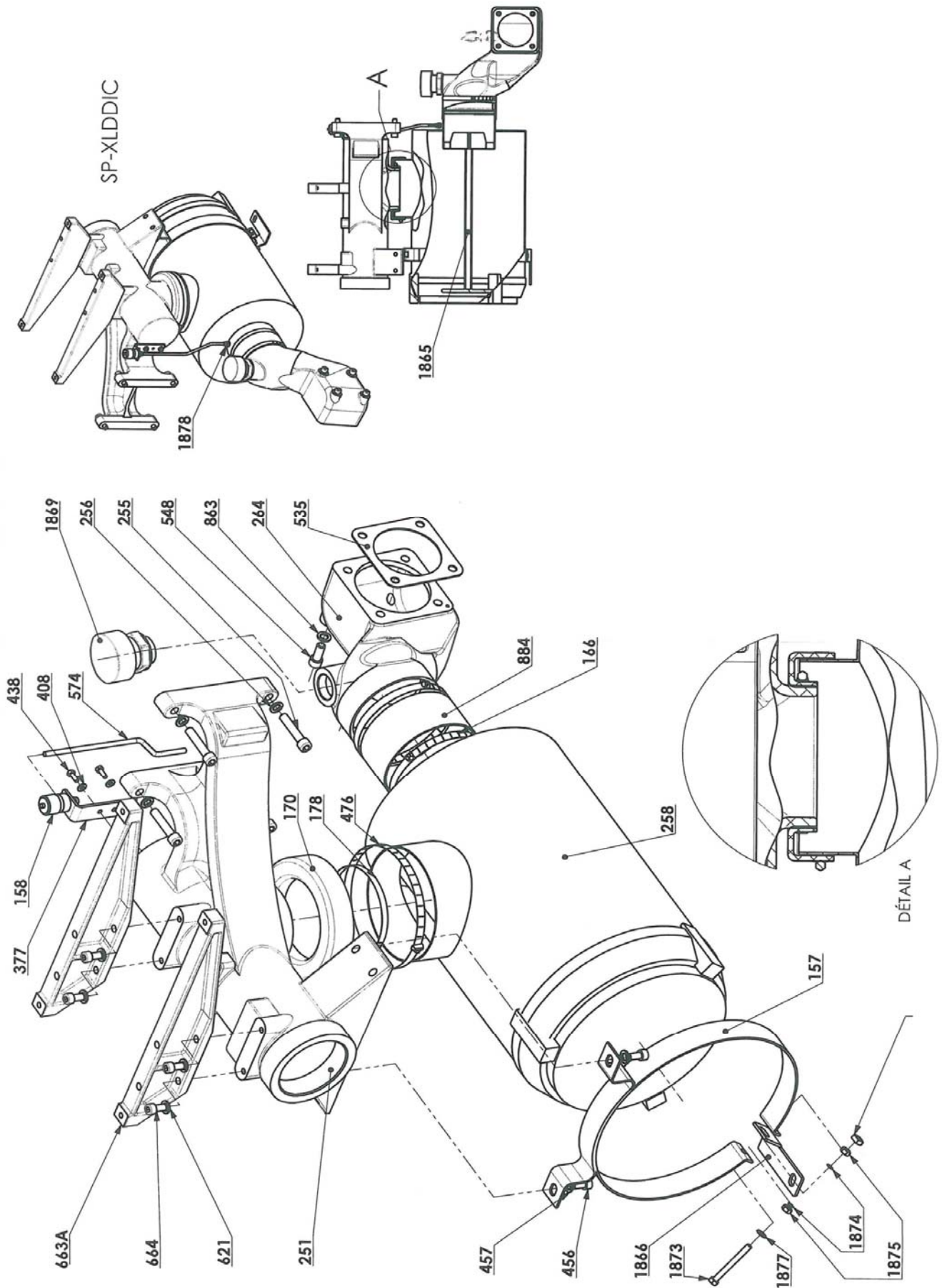
**DISASSEMBLING THE COMPRESSOR IS FORBIDDEN AND VOIDS THE WARRANTY.
IF A REPAIRING IS NEEDED, THE COMPRESSOR MUST BE RETURNED TO OUR WORKSHOP.
THE ITEMS SPECIFIED ON THAT PARTS LIST WHICH HAVE NOT REFERENCE CANNOT BE SUPPLIED AS SPARE PARTS.**

Z.I. la Plaine des Isles - 2 rue des Caillottes F-89000 AUXERRE - France
Tel : +33 (0)3 86 49 86 30 • Fax : +33 (0)3 86 49 87 17
contact@mouvex.com • www.mouvex.com

DIRECT DRIVE PACKAGES XL DDIC

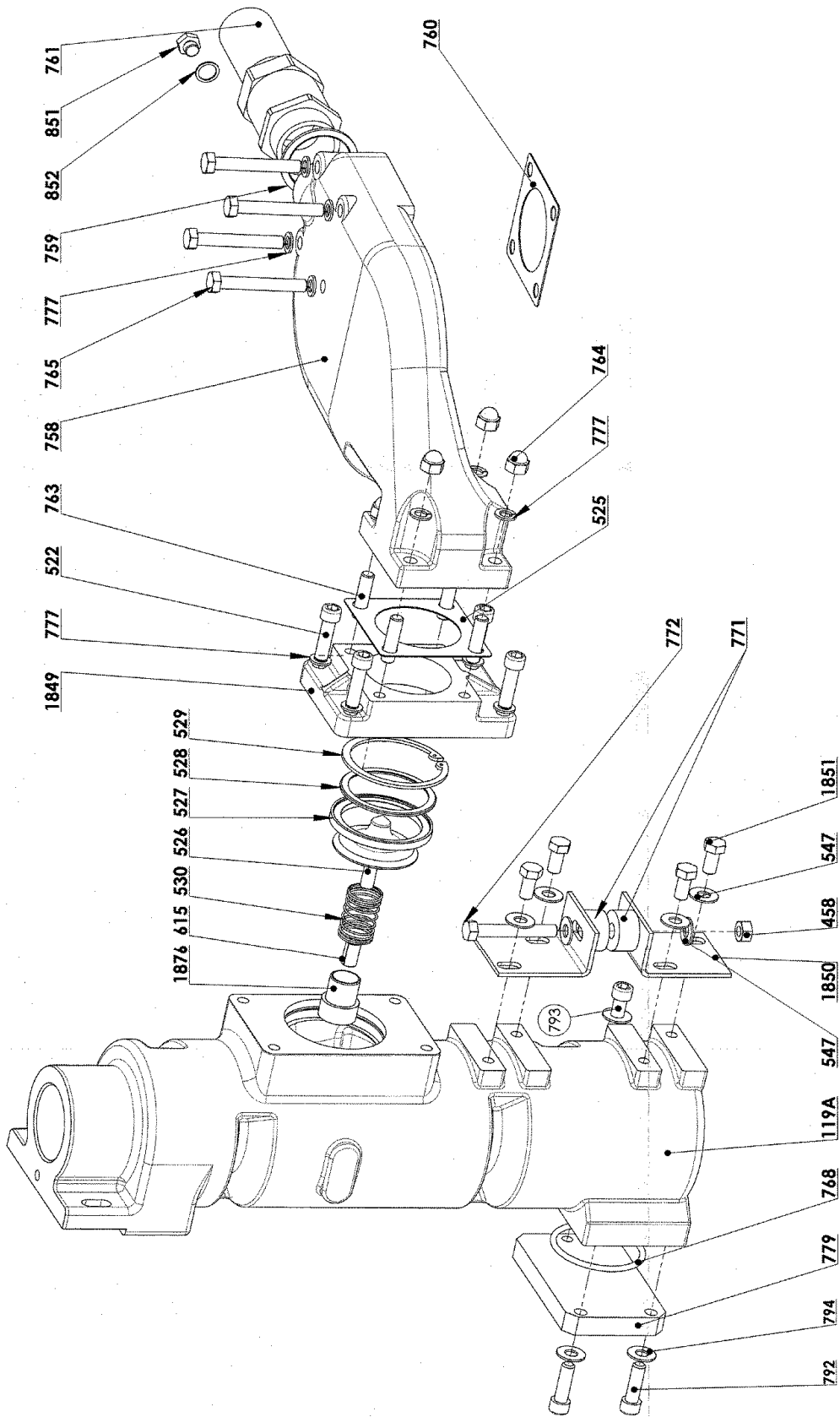


LS-DDNC SUCTION ASSEMBLY



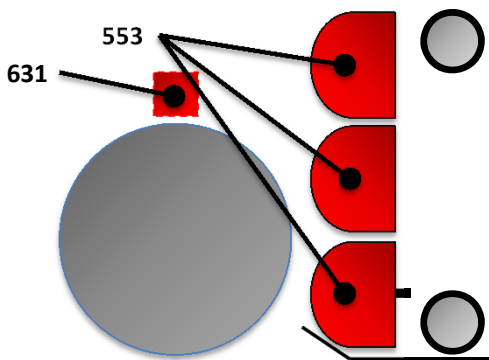
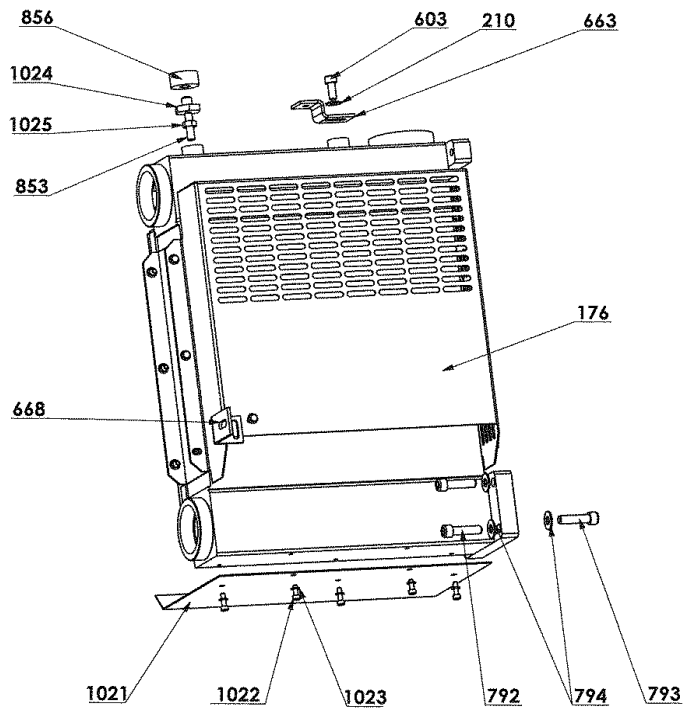
ACCESSORIES

Check and relief valve - Silencer

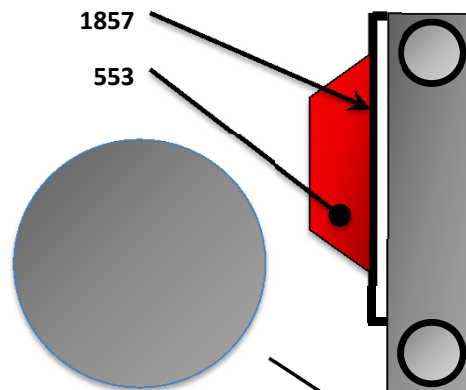


ACCESSORIES

Intercooler



Previous model



New Model

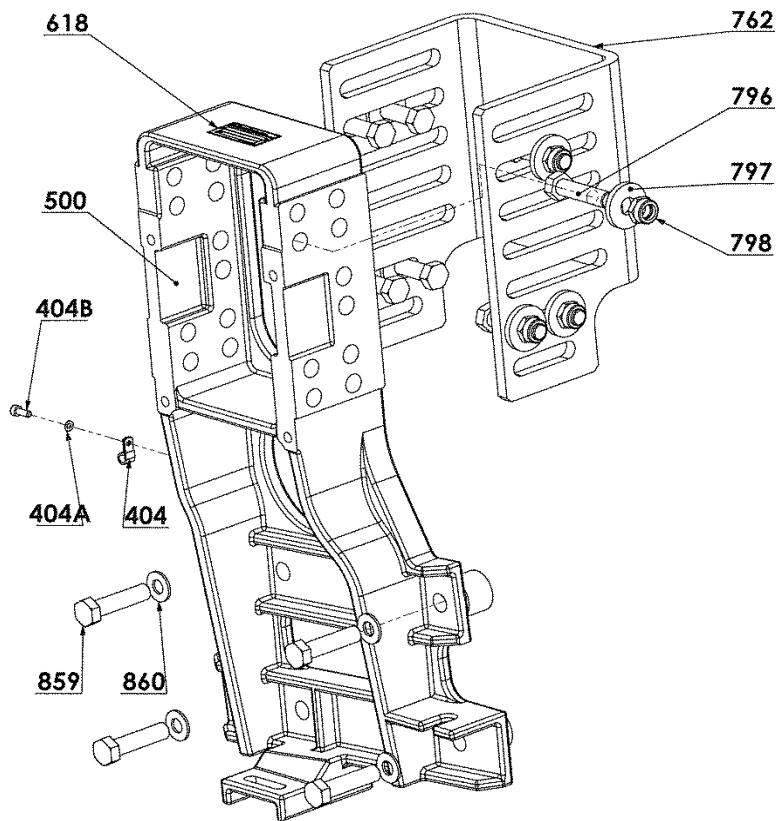
April 2015 : Removal of the radial fans 553 and of the electric box 631, interchangeability :

- Radial fan 553, 2 options :

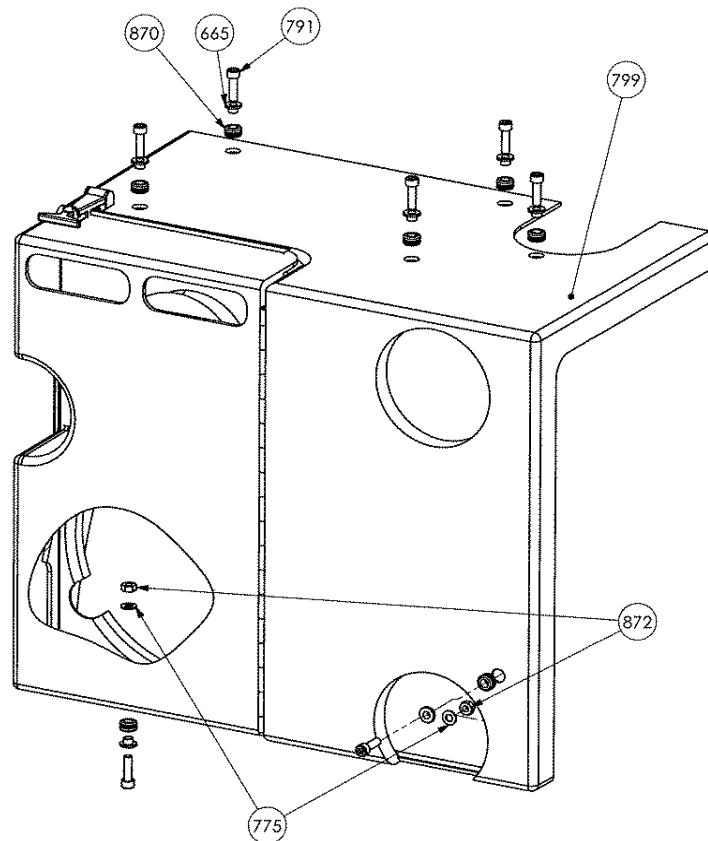
- 1- Replacement kit 316826.00 (553 + 1857 + screws...)
- 2- To replace the radial fan still available (223363)

ACCESSORIES

Holder



Cover



TYPHON II XL DDIC

* 1, 2, 4... : Quantity in equipment - (1), (2), (4)... : Quantity in kit

Item	Available	Description	Qty*	Ref.	Maintenance kit	Wear part
124	◆	COMPLETE TORQUE LIMITER 950 NM	1	312548.03	■	●
124	◆	COMPLETE TORQUE LIMITER 800 NM	1	317145.00	■	●
175	◆	DDIC INTERCOOLER ASSEMBLY	1	313474.03		
176		DDIC INTERCOOLER PARTS :	(1)			
365	◆	INTERCOOLER SUCTION COVER	1	230413		
553	◆	AXIAL FAN	1	223362	■	●
1857	◆	INTERCOOLER DISCHARGE COVER	1	229130		
1858	◆	INTERCOOLER	1	224622		
210		WASHER	(1)			
603		SCREW	(1)			
637	◆	FASTENING KIT (XL DDNC)	1	314171.00		
768	◆	O-RING	1	200736		
788	◆	VIBRATION PAD	4	223046		
789		SCREW	(2)			
790		WASHER	(2)			
792		SCREW	(2)			
793		SCREW	(1)			
794		WASHER	(3)			
663		COVER BRACKET	(1)			
668		COVER BRACKET	(1)			
853		STUD	(1)			
856	◆	VIBRATION PAD	1	223046	■	●
1021	◆	PROTECTION COVER	1	223435		
1022		SCREW	(5)			
1023		WASHER	(5)			
1024		VIBRATION PAD HOLDER	(1)			
1025		NUT	(1)			
181	◆	STORZ CONNECTOR KIT 3" HOSE THREADED MALE G2.5	4	316791.00		
187		STORZ PLUG 3"	(1)			
188		HALF CONNECTEUR STORZ 3" THREADED MALE G2.5"	(1)			
329	◆	HOLDER ASSEMBLY XLDDIC	1	314076.02		
500	◆	HOLDER DDIC	1	224275		
762	◆	U BRACKET XL DDIC	1	224623		
796		SCREW	(8)			
797		WASHER	(8)			
798		NUT	(8)			
859		SCREW	(4)			
860		WASHER	(4)			

TYPHON II XL DDIC

* 1, 2, 4... : Quantity in equipment - (1), (2), (4)... : Quantity in kit

Item	Available	Description	Qty*	Ref.	Maintenance kit	Wear part
591	◆	XL DDIC CHECK VALVE SILENCER ASSEMBLY	1	314073.01		
119A		SILENCER	(1)			
458		NUT	(1)			
522		SCREW	(4)			
525	◆	GASKET	1	219281		
526	◆	VALVE	1	224979		
527	◆	SEAL	1	220525		●
528		CHECK VALVE SEAT	(1)			
529		CIRCLIPS	(1)			
530		SPRING	(1)			
547		WASHER	(6)			
615		BUSH	(1)			
758		SILENCER CONNECTOR	(1)			
760	◆	GASKET	1	219281		
763		STUD	(4)			
764		NUT	(4)			
765		SCREW	(4)			
771	◆	VIBRATION PAD	2	222943	■	●
772		SCREW	(1)			
777		WASHER	(12)			
851		PLUG	(1)			
852		SEAL WASHER	(1)			
1849		SILENCER FLANGE	(1)			
1850		BRACKET	(2)			
1851		SCREW	(4)			
1876		RING	(1)			

TYPHON II XL DDIC

* 1, 2, 4... : Quantity in equipment - (1), (2), (4)... : Quantity in kit

Item	Available	Description	Qty*	Ref.	Maintenance kit	Wear part
776	◆	XL DDIC TYPHON II SUCTION ASSEMBLY	1	314154.01		
864	◆	XL DDIC SUCTION ASSEMBLY	1	314071.00		
157		HOSE CLAMP	(1)			
166		HOSE CLAMP	(2)			
170	◆	FILTER HUMP	1	225592		
178	◆	HOSE CLAMP	1	217082		
251	◆	BRACKET	1	224664		
255		SCREW	(4)			
256		WASHER	(4)			
258	◆	AIR FILTER FC15	1	314060.00		
408A		WASHER	(1)			
456		SCREW	(2)			
457		WASHER	(2)			
476	◆	HOSE CLAMP	1	217084		
588	◆	RESTRICTION INDICATOR ASSEMBLY	1	314164.00		
158	◆	RESTRICTION INDICATOR	1	215658	■	
377		BRACKET	(1)			
393		CONNECTOR	(1)			
408	◆	WASHER	2	211354		
438		SCREW	(2)			
574		HOSE	(1)			
578		CONNECTOR	(1)			
1878		ADAPTATER	(1)			
874		SCREW	(1)			
884		RUBBER STRAIGHT HUMP	(1)			
997	◆	CONNECTION KIT	1	314165.01		
264		XL DDIC AIR FILTER ELBOW	(1)			
535	◆	GASKET	1	215088	■	
548		SCREW	(4)			
863		WASHER	(4)			
1867	◆	COVER FASTENING KIT (XL DDIC)	1	314173.00		
621		WASHER	(4)			
663A		BRACKET	(2)			
664		SCREW	(4)			
1866		COVER BRACKET	(1)			
1873		SCREW	(1)			
1874		WASHER	(2)			
1875		NUT	(2)			
1877		WASHER	(1)			
778	◆	COMPLETE RELIEF VALVE 2.3 BAR	1	313494.00	■	
778	◆	COMPLETE RELIEF VALVE 2.5 BAR	1	313473.00	■	
778	◆	COMPLETE RELIEF VALVE 2 BAR	1	313477.00	■	
759		SEAL WASHER	(1)			
761		RELIEF VALVE	(1)			●
849	◆	TYPHON II SP 13R/15L-	1	516466.01		
849	◆	TYPHON II SP 19R/22L-	1	516467.01		
849	◆	TYPHON II SP 20R-	1	516464.01		
849	◆	TYPHON II SP 30R-	1	516465.01		
850	◆	XL DDIC COVER ASSEMBLY	1	314160.01		
665		SPACER	(7)			
775		WASHER	(2)			
791		SCREW	(7)			
799		XL DDIC COVER ASSEMBLY	(1)			
870		RUBBER RING	(7)			
872		NUT	(2)			
1868	◆	XL DDIC VACCUM COMPONENTS KIT	1	314172.00		
1865	◆	FILTER REINFORCING BAR	1	224927		
1869	◆	VACCUM RELIEF VALVE	1	225001	■	