

PARTS LIST
DIRECT DRIVE PACKAGES XL DDIC
TYPHON II - B1500

Keep this parts lists with Installation, Operation and Maintenance Instructions.

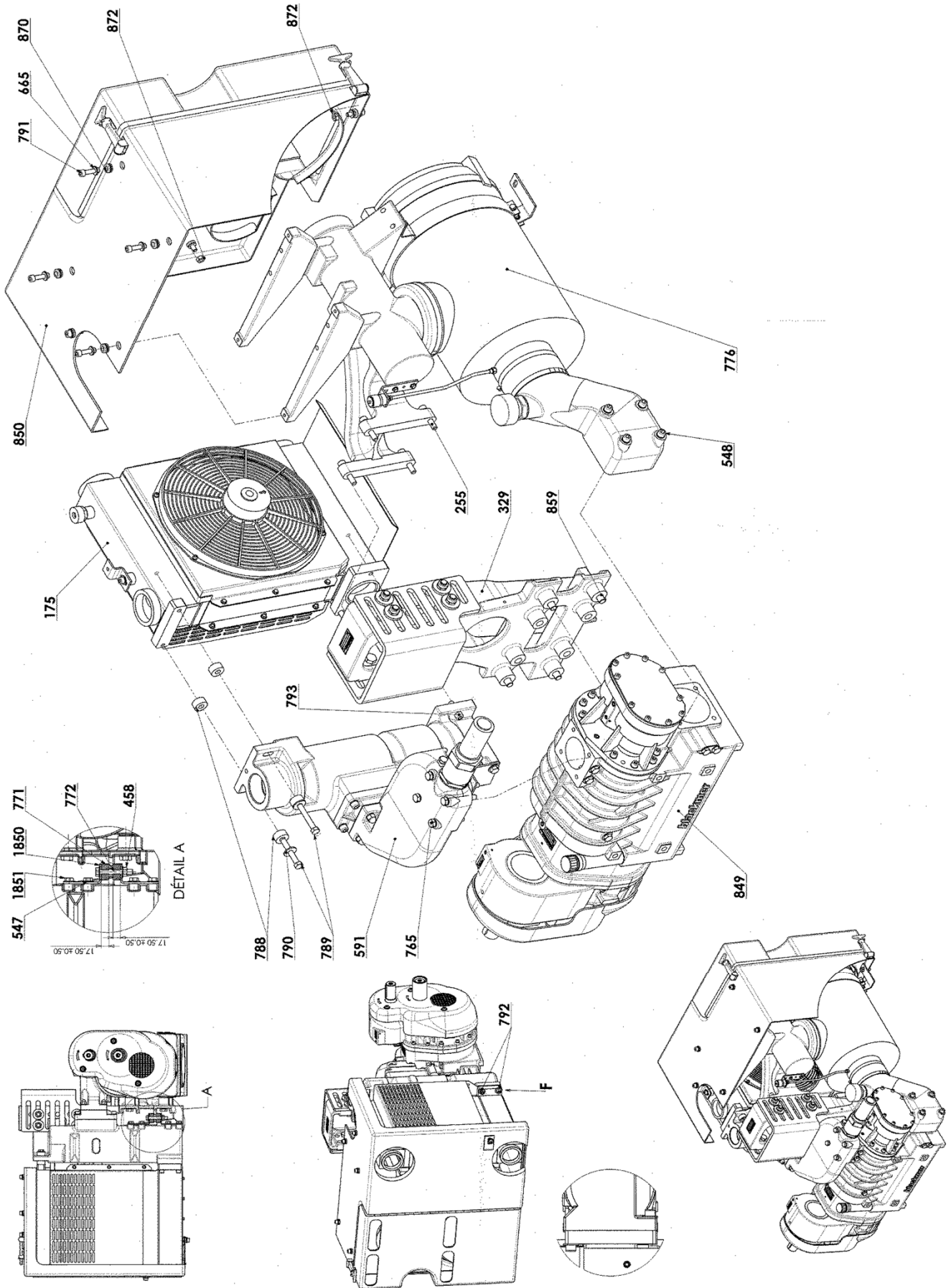
To order the required spare parts, indicate the desired Reference(s).

- ◆ Sets of parts or parts available to order.

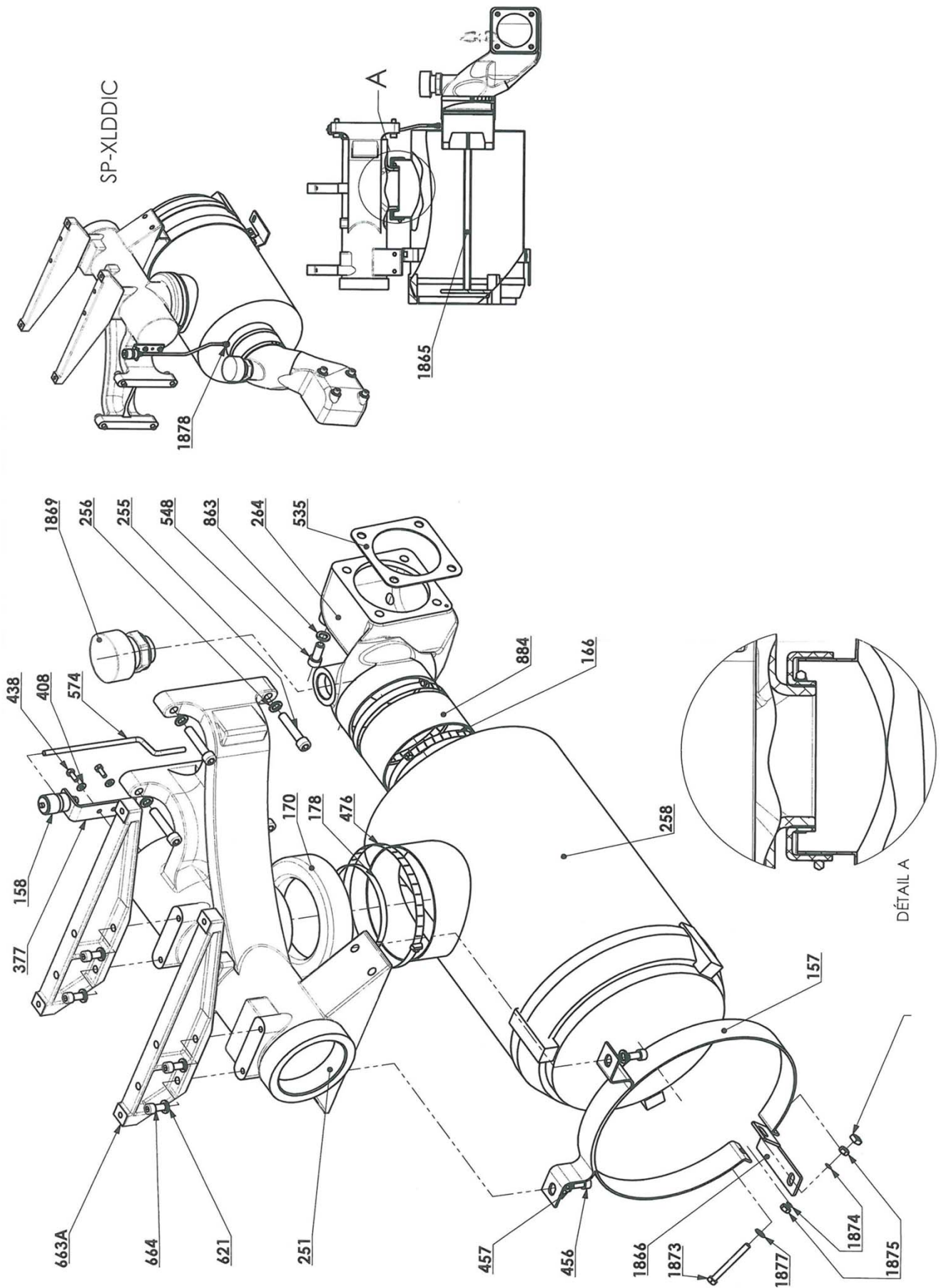
COMPRESSOR : See PL Compressor

**DISASSEMBLING THE COMPRESSOR IS FORBIDDEN AND VOIDS THE WARRANTY.
IF A REPAIRING IS NEEDED, THE COMPRESSOR MUST BE RETURNED TO OUR WORKSHOP.
THE ITEMS SPECIFIED ON THAT PARTS LIST WHICH HAVE NOT REFERENCE CANNOT BE SUPPLIED AS SPARE PARTS.**

DIRECT DRIVE PACKAGES XL DDIC

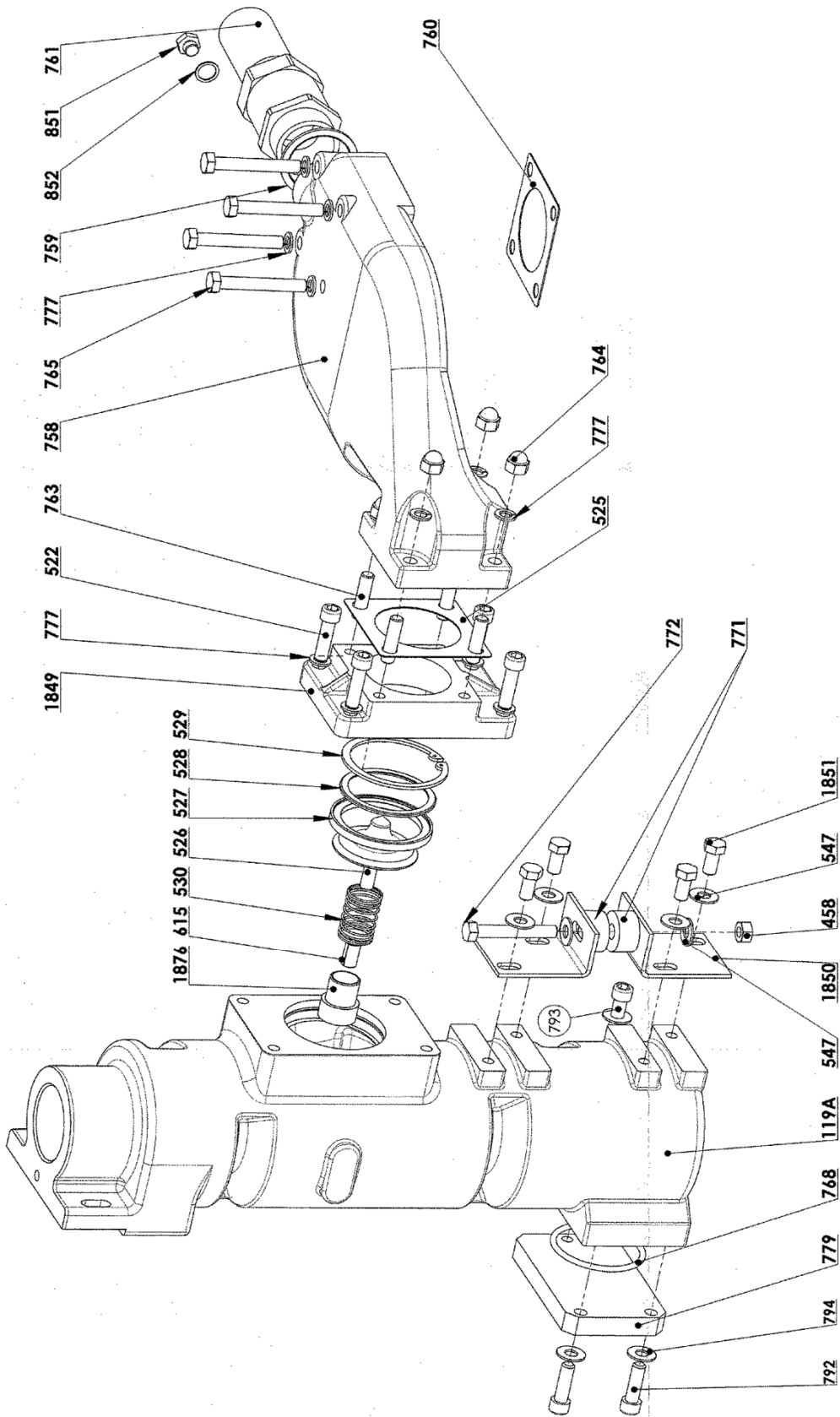


LS-DDNC SUCTION ASSEMBLY



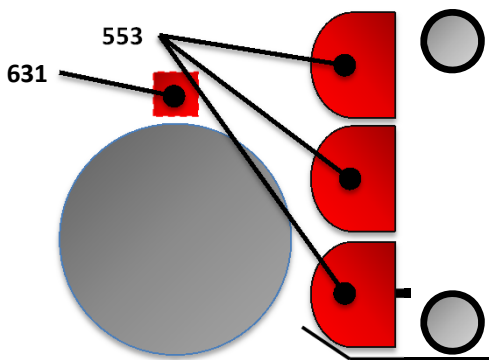
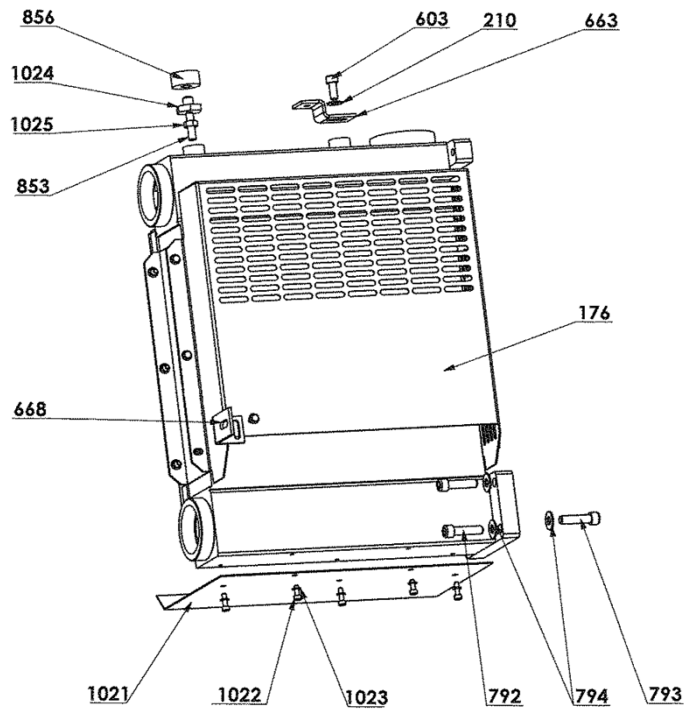
ACCESSORIES

Check and relief valve - Silencer

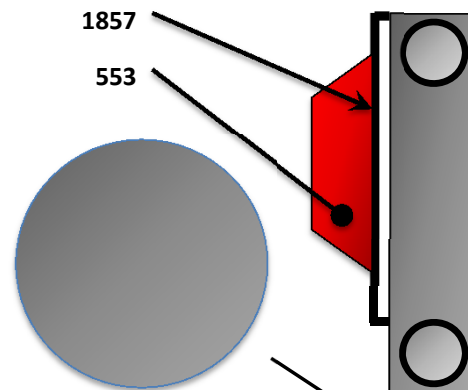


ACCESSORIES

Intercooler



Previous model



New Model

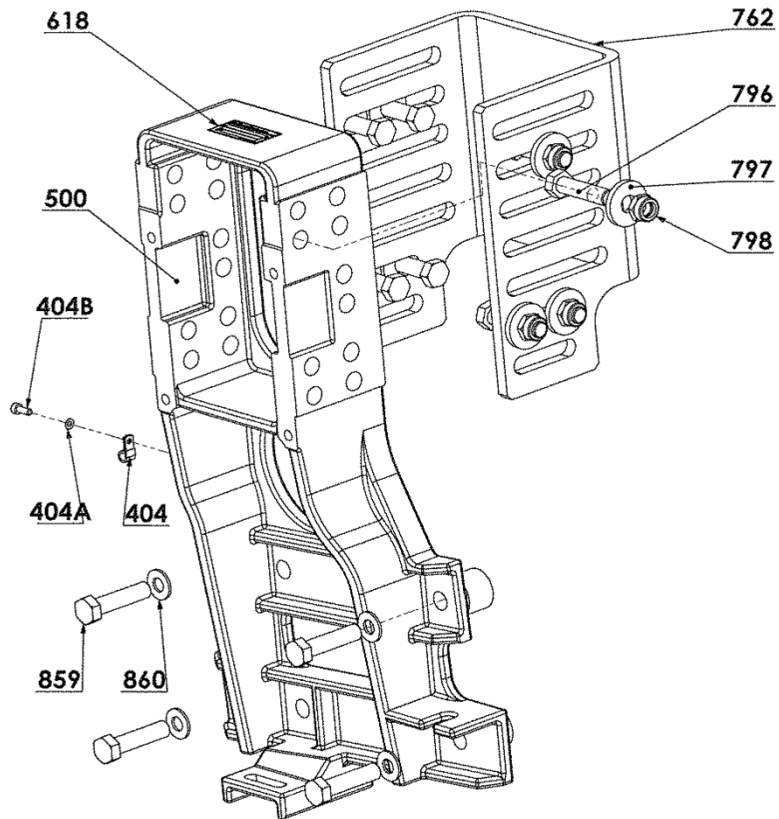
April 2015 : Removal of the radial fans 553 and of the electric box 631, interchangeability :

- Radial fan 553, 2 options :

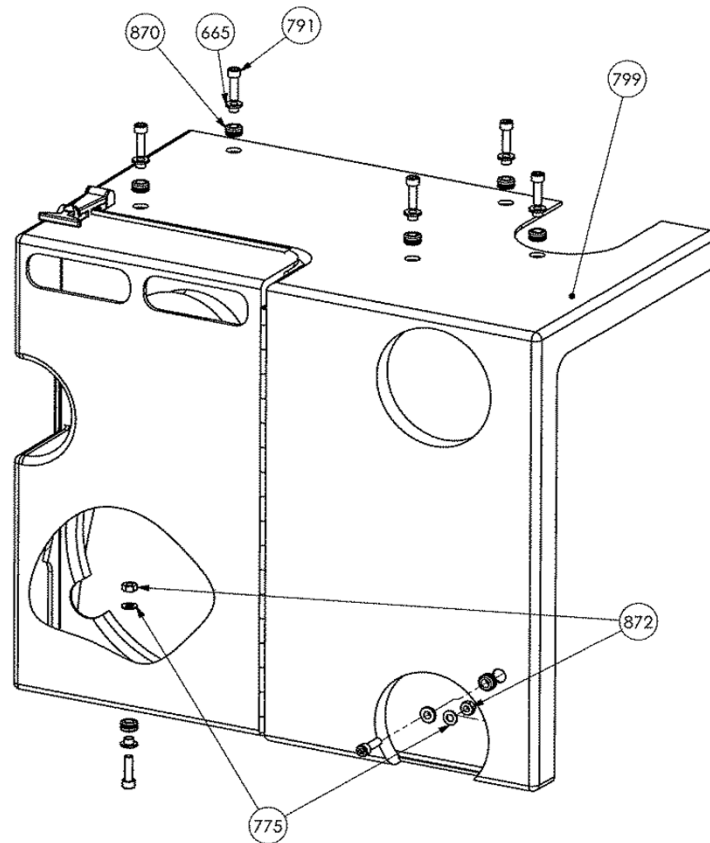
- 1- Replacement kit 316826.00 (553 + 1857 + screws...)
- 2- To replace the radial fan still available (223363)

ACCESSORIES

Holder



Cover



TYPHON II XL DDIC

* 1, 2, 4... : Quantity in equipment - (1), (2), (4)... : Quantity in kit

Item	Available	Description	Qty*	Ref.	Maintenance kit	Wear part
124	◆	COMPLETE TORQUE LIMITER 950 NM	1	312548.03	■	●
124	◆	COMPLETE TORQUE LIMITER 800 NM	1	317145.00	■	●
175	◆	DDIC INTERCOOLER ASSEMBLY	1	313474.03		
176		DDIC INTERCOOLER PARTS :	(1)			
365	◆	INTERCOOLER SUCTION COVER	1	230413		
553	◆	AXIAL FAN	1	223362	■	●
1857	◆	INTERCOOLER DISCHARGE COVER	1	229130		
1858	◆	INTERCOOLER	1	224622		
210		WASHER	(1)			
603		SCREW	(1)			
637	◆	FASTENING KIT (XL DDNC)	1	314171.00		
768	◆	O-RING	1	200736		
788	◆	VIBRATION PAD	4	223046		
789		SCREW	(2)			
790		WASHER	(2)			
792		SCREW	(2)			
793		SCREW	(1)			
794		WASHER	(3)			
663		COVER BRACKET	(1)			
668		COVER BRACKET	(1)			
853		STUD	(1)			
856	◆	VIBRATION PAD	1	223046	■	●
1021	◆	PROTECTION COVER	1	223435		
1022		SCREW	(5)			
1023		WASHER	(5)			
1024		VIBRATION PAD HOLDER	(1)			
1025		NUT	(1)			
181	◆	STORZ CONNECTOR KIT 3" HOSE THREADED MALE G2.5	4	316791.00		
187		STORZ PLUG 3"	(1)			
188		HALF CONNECTEUR STORZ 3" THREADED MALE G2.5"	(1)			
329	◆	HOLDER ASSEMBLY XLDDIC	1	314076.02		
500	◆	HOLDER DDIC	1	224275		
762	◆	U BRACKET XL DDIC	1	224623		
796		SCREW	(8)			
797		WASHER	(8)			
798		NUT	(8)			
859		SCREW	(4)			
860		WASHER	(4)			

TYPHON II XL DDIC

* 1, 2, 4... : Quantity in equipment - (1), (2), (4)... : Quantity in kit

Item	Available	Description	Qty*	Ref.	Maintenance kit	Wear part
591	◆	XL DDIC CHECK VALVE SILENCER ASSEMBLY	1	314073.01		
119A		SILENCER	(1)			
458		NUT	(1)			
522		SCREW	(4)			
525	◆	GASKET	1	219281		
526	◆	VALVE	1	224979		
527	◆	SEAL	1	220525		●
528		CHECK VALVE SEAT	(1)			
529		CIRCLIPS	(1)			
530		SPRING	(1)			
547		WASHER	(6)			
615		BUSH	(1)			
758		SILENCER CONNECTOR	(1)			
760	◆	GASKET	1	219281		
763		STUD	(4)			
764		BLIND NUT	(4)			
765		SCREW	(4)			
771	◆	VIBRATION PAD	2	222943	■	●
772		SCREW	(1)			
777		WASHER	(12)			
851		PLUG	(1)			
852		SEAL WASHER	(1)			
1849		SILENCER FLANGE	(1)			
1850		BRACKET	(2)			
1851		SCREW	(4)			
1876		RING	(1)			

TYPHON II XL DDIC

* 1, 2, 4... : Quantity in equipment - (1), (2), (4)... : Quantity in kit

Item	Available	Description	Qty*	Ref.	Maintenance kit	Wear part
776	◆	XL DDIC TYPHON II SUCTION ASSEMBLY	1	314154.00		
864	◆	XL DDIC SUCTION ASSEMBLY	1	314071.00		
157		HOSE CLAMP	(1)			
166		HOSE CLAMP	(2)			
170	◆	FILTER HUMP	1	225592		
178	◆	HOSE CLAMP	1	217082		
251	◆	BRACKET	1	224664		
255		SCREW	(4)			
256		WASHER	(4)			
258	◆	AIR FILTER FC15	1	314060.00		
408A		WASHER	(1)			
456		SCREW	(2)			
457		WASHER	(2)			
476	◆	HOSE CLAMP	1	217084		
588	◆	RESTRICTION INDICATOR ASSEMBLY	1	314164.00		
158	◆	RESTRICTION INDICATOR	1	215658	■	
377		BRACKET	(1)			
393		CONNECTOR	(1)			
408	◆	WASHER	2	211354		
438		SCREW	(2)			
574		HOSE	(1)			
578		CONNECTOR	(1)			
1878		ADAPTATER	(1)			
874		SCREW	(1)			
884		RUBBER STRAIGHT HUMP	(1)			
997	◆	CONNECTION KIT	1	314165.00		
264		XL DDIC AIR FILTER ELBOW	(1)			
535	◆	GASKET	1	215088	■	
548		SCREW	(4)			
863		WASHER	(4)			
1867	◆	COVER FASTENING KIT (XL DDIC)	1	314173.00		
621		WASHER	(4)			
663A		BRACKET	(2)			
664		SCREW	(4)			
1866		COVER BRACKET	(1)			
1873		SCREW	(1)			
1874		WASHER	(2)			
1875		NUT	(2)			
1877		WASHER	(1)			

TYPHON II XL DDIC

* 1, 2, 4... : Quantity in equipment - (1), (2), (4)... : Quantity in kit

Item	Available	Description	Qty*	Ref.	Maintenance kit	Wear part
778	◆	COMPLETE RELIEF VALVE 2.3 BAR	1	313494.00	■	
778	◆	COMPLETE RELIEF VALVE 2.5 BAR	1	313473.00	■	
778	◆	COMPLETE RELIEF VALVE 2 BAR	1	313477.00	■	
759		SEAL WASHER	(1)			
761		RELIEF VALVE	(1)			●
849	◆	TYPHON II SP 13R/15L-	1	516466.00		
849	◆	TYPHON II SP 19R/22L-	1	516467.00		
849	◆	TYPHON II SP 20R-	1	516464.00		
849	◆	TYPHON II SP 30R-	1	516465.00		
850	◆	XL DDIC COVER ASSEMBLY	1	314160.01		
665		SPACER	(7)			
775		WASHER	(2)			
791		SCREW	(7)			
799		XL DDIC COVER ASSEMBLY	(1)			
870		RUBBER RING	(7)			
872		NUT	(2)			
1868	◆	XL DDIC VACCUM COMPONENTS KIT	1	314172.00		
1865	◆	FILTER REINFORCING BAR	1	224927		
1869	◆	VACCUM RELIEF VALVE	1	225001	■	

B1500 XL DDIC

* 1, 2, 4... : Quantity in equipment - (1), (2), (4)... : Quantity in kit

Item	Available	Description	Qty*	Ref.	Maintenance kit	Wear part
124	◆	COMPLETE TORQUE LIMITER 950 NM	1	312548.03	■	●
124	◆	COMPLETE TORQUE LIMITER 800 NM	1	317145.00	■	●
175	◆	DDIC INTERCOOLER ASSEMBLY	1	313474.03		
176		DDIC INTERCOOLER PARTS :	(1)			
365	◆	INTERCOOLER SUCTION COVER	1	230413		
553	◆	AXIAL FAN	1	223362	■	●
1857	◆	INTERCOOLER DISCHARGE COVER	1	229130		
1858	◆	INTERCOOLER	1	224622		
210		WASHER	(1)			
603		SCREW	(1)			
637	◆	FASTENING KIT (XL DDNC)	1	314171.00		
768	◆	O-RING	1	200736		
788	◆	VIBRATION PAD	4	223046		
789		SCREW	(2)			
790		WASHER	(2)			
792		SCREW	(2)			
793		SCREW	(1)			
794		WASHER	(3)			
663		COVER BRACKET	(1)			
668		COVER BRACKET	(1)			
853		STUD	(1)			
856	◆	VIBRATION PAD	1	223046	■	●
1021	◆	PROTECTION COVER	1	223435		
1022		SCREW	(5)			
1023		WASHER	(5)			
1024		VIBRATION PAD HOLDER	(1)			
1025		NUT	(1)			
181	◆	STORZ CONNECTOR KIT 3" HOSE THREADED MALE G2.5	4	316791.00		
187		STORZ PLUG 3"	(1)			
188		HALF CONNECTEUR STORZ 3" THREADED MALE G2.5"	(1)			
329	◆	HOLDER ASSEMBLY XLDDIC	1	314076.02		
500	◆	HOLDER DDIC	1	224275		
762	◆	U BRACKET XL DDIC	1	224623		
796		SCREW	(8)			
797		WASHER	(8)			
798		NUT	(8)			
859		SCREW	(4)			
860		WASHER	(4)			

B1500 XL DDIC

* 1, 2, 4... : Quantity in equipment - (1), (2), (4)... : Quantity in kit

Item	Available	Description	Qty*	Ref.	Maintenance kit	Wear part
591	◆	XL DDIC CHECK VALVE SILENCER ASSEMBLY	1	314073.01		
119A		SILENCER	(1)			
458		NUT	(1)			
522		SCREW	(4)			
525	◆	GASKET	1	219281		
526	◆	VALVE	1	224979		
527	◆	SEAL	1	220525		●
528		CHECK VALVE SEAT	(1)			
529		CIRCLIPS	(1)			
530		SPRING	(1)			
547		WASHER	(6)			
615		BUSH	(1)			
758		SILENCER CONNECTOR	(1)			
760	◆	GASKET	1	219281		
763		STUD	(4)			
764		BLIND NUT	(4)			
765		SCREW	(4)			
771	◆	VIBRATION PAD	2	222943	■	●
772		SCREW	(1)			
777		WASHER	(12)			
851		PLUG	(1)			
852		SEAL WASHER	(1)			
1849		SILENCER FLANGE	(1)			
1850		BRACKET	(2)			
1851		SCREW	(4)			
1876		RING	(1)			

B1500 XL DDIC

* 1, 2, 4... : Quantity in equipment - (1), (2), (4)... : Quantity in kit

Item	Available	Description	Qty*	Ref.	Maintenance kit	Wear part
776	◆	XL DDIC B1500 SUCTION ASSEMBLY	1	314166.00		
864	◆	XL DDIC SUCTION ASSEMBLY	1	314071.00		
157		HOSE CLAMP	(1)			
166		HOSE CLAMP	(2)			
170	◆	FILTER HUMP	1	225592		
178	◆	HOSE CLAMP	1	217082		
251	◆	BRACKET	1	224664		
255		SCREW	(4)			
256		WASHER	(4)			
258	◆	AIR FILTER FC15	1	314060.00		
408A		WASHER	(1)			
456		SCREW	(2)			
457		WASHER	(2)			
476	◆	HOSE CLAMP	1	217084		
588	◆	RESTRICTION INDICATOR ASSEMBLY	1	314164.00		
158	◆	RESTRICTION INDICATOR	1	215658	■	
377		BRACKET	(1)			
393		CONNECTOR	(1)			
408	◆	WASHER	2	211354		
438		SCREW	(2)			
574		HOSE	(1)			
578		CONNECTOR	(1)			
1878		ADAPTATER	(1)			
874		SCREW	(1)			
884		RUBBER STRAIGHT HUMP	(1)			
997	◆	CONNECTION KIT	1	314072.00		
264		FILTER ELBOW	(1)			
535	◆	GASKET	1	215088	■	
548		SCREW	(4)			
863		WASHER	(4)			
1867	◆	COVER FASTENING KIT (XL DDIC)	1	314173.00		
621		WASHER	(4)			
663A		BRACKET	(2)			
664		SCREW	(4)			
1866		COVER BRACKET	(1)			
1873		SCREW	(1)			
1874		WASHER	(2)			
1875		NUT	(2)			
1877		WASHER	(1)			

B1500 XL DDIC

* 1, 2, 4... : Quantity in equipment - (1), (2), (4)... : Quantity in kit

Item	Available	Description	Qty*	Ref.	Maintenance kit	Wear part
778	◆	COMPLETE RELIEF VALVE 2.3 BAR	1	313494.00	■	
778	◆	COMPLETE RELIEF VALVE 2.5 BAR	1	313473.00	■	
778	◆	COMPLETE RELIEF VALVE 2 BAR	1	313477.00	■	
759		SEAL WASHER	(1)			
761		RELIEF VALVE	(1)			●
849	◆	B1500 N 19R/22L-	1	516274.02		
849	◆	B1500 N 20R-	1	515411.02		
849	◆	B1500 N 30R-	1	515413.02		
850	◆	XL DDIC COVER ASSEMBLY	1	314160.01		
665		SPACER	(7)			
775		WASHER	(2)			
791		SCREW	(7)			
799		XL DDIC COVER ASSEMBLY	(1)			
870		RUBBER RING	(7)			
872		NUT	(2)			
1868	◆	XL DDIC VACCUM COMPONENTS KIT	1	314172.00		
1865	◆	FILTER REINFORCING BAR	1	224927		
1869	◆	VACCUM RELIEF VALVE	1	225001	■	