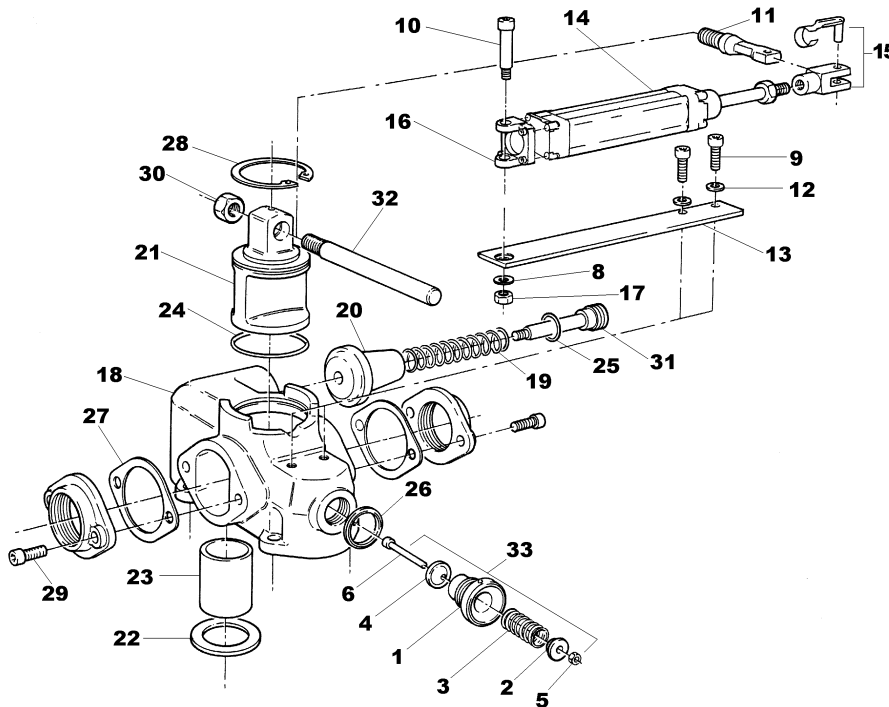


**PARTS LIST 208-B02 e**

Section	208
Effective	March 2008
Replaces	February 2005

**PARTS LIST - COMBINED REVERSE FLOW VALVE**

**Model : RAL 485**



**PARTS LIST**

**SNIFTER VALVE ASSEMBLY (201.178)**

Item	Part No.	Description	Qty	Item	Part No.	Description	Qty
1	220465	Valve Body	1	5	200077	Snep Nut M6	1
2	105282	Spring Cap	1	6	220596	Cap Screw M6 x 70 Long	1
3	220706	Spring	1	7	220631	Warning Label (not shown)	1
4	220495	Valve	1				

**AIR KIT ASSEMBLY (204.516)**

8	200171	Plain Washer M8	1	13	220658	Bracket	1
9	200414	Cap Screw M10 x 20	2	14	220674	Air Cylinder	1
10	220603	Shoulder Screw M8 x 45 Long	1	15	220675	Clevis	1
11	220625	Handle (Air Operated)	1	16	220676	Trunion	1
12	217223	Spring Washer M10	2	17	220576	Locknut M8	1

**COMBINATION REVERSE FLOW VALVE ASSEMBLY (204.515)**

18	220470	Valve Body	1	27	220561	Gasket	2
19	220709	Pressure Relief Valve Spring (1.0 bar)	1	28	220544	Circlip	1
20	220500	Pressure Relief Valve	1	29	220568	Cap Screw M10 x 25	4
21	220498	Reverse Flow Valve	1	30	200051	Nut M16	1
22	220630	Check Valve Seat	1	31	220606	Relief Valve Shoulder Screw M10	1
23	220499	Check Valve	1	32	220623	Handle (Manually Operated)	1
24	220517	"O" Ring Seal	1	33	313101.00	Snifter Valve Assembly	1
25	220533	"O" Ring Seal	1	Not Shown	NC *	Plastic Bungs To Suit M10 Holes	2
26	219623	1" Dowty Seal	1				

\* Not available for sale.