



P.L. : 1002-A01

Effective
Replaces

March 2023
July 2022

PARTS LIST

PUMP

S2C

Keep this parts lists with Installation, Operation and Maintenance Instructions.

To order the required spare parts, indicate the desired Reference(s).

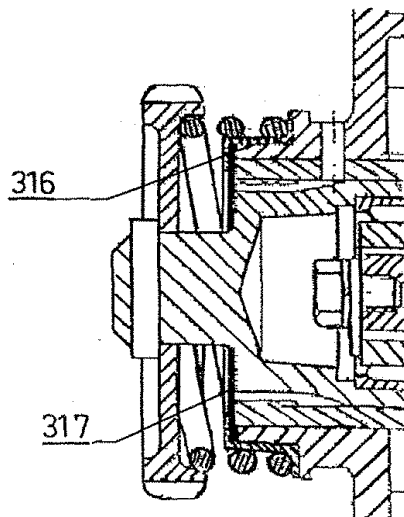
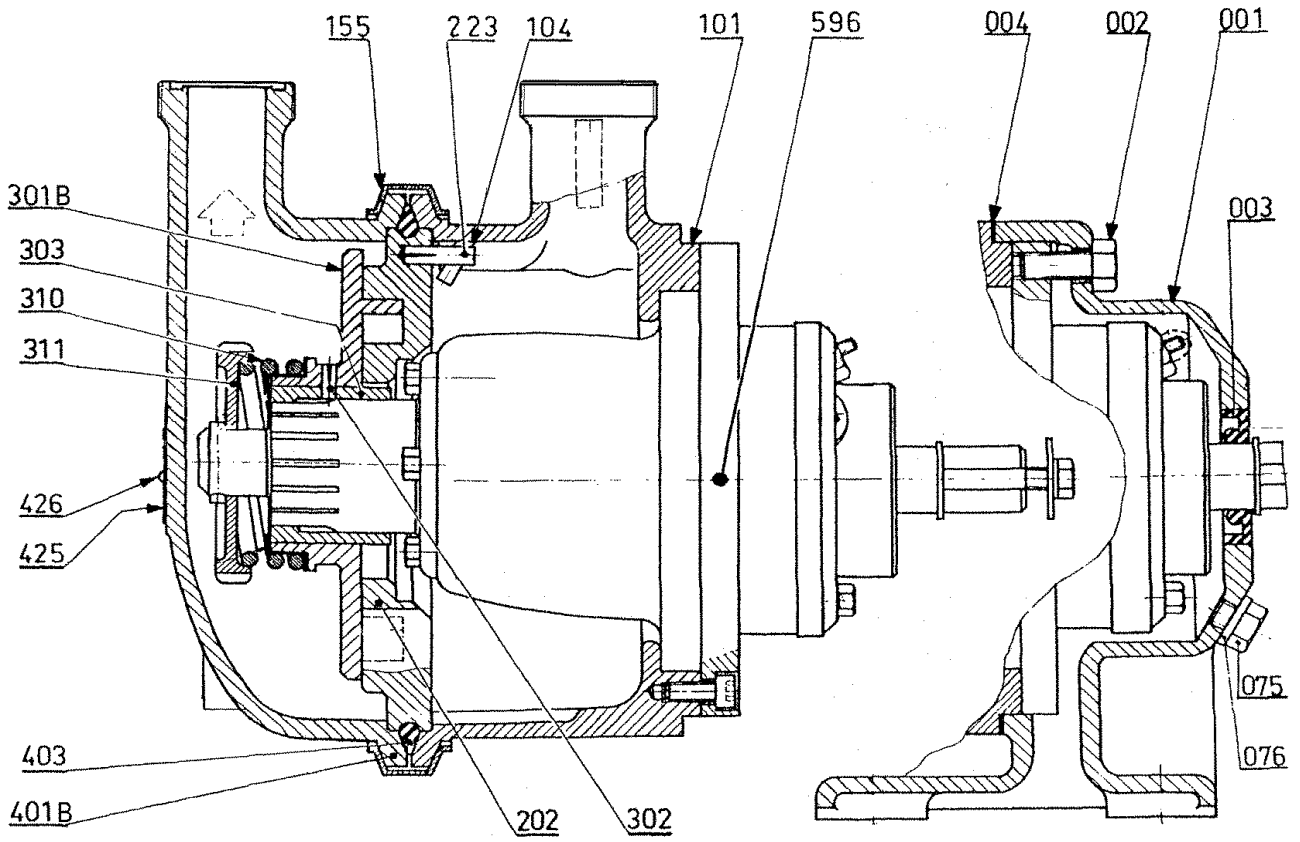
- ◆ Sets of parts or parts available to order.

Z.I. la Plaine des Isles - 2 rue des Caillottes F-89000 AUXERRE - France

Tel : +33 (0)3 86 49 86 30 • Fax : +33 (0)3 86 49 87 17

contact.mouvex@psgdover.com • www.mouvex.com

S2C



S2C

* 1, 2, 4... : Quantity in equipment - (1), (2), (4)... : Quantity in kit

Item	Available	Description	Qty*	Ref.	Maintenance kit	Wear part
5	◆	SUPPORT FOOT PUMP COMPLETE	1	AUX301525		
1		SUPPORT FOOT	(1)			
2		SCREW	(4)			
3		LIP SEAL	(1)			●
4		SEAL	(1)			●
75		SCREW	(1)			
76		SEAL	(1)			●
100	◆	POLISH MAIN BODY - CLAMP ASME BPE	1	AUX316597		
100	◆	POLISH MAIN BODY - DIN 40	1	AUX304685		
100	◆	POLISH MAIN BODY - SMS 38	1	AUX301483		
101		MAIN BODY	(1)			
104		PIN	(2)			
GASKETS FOR CONNECTION :						
120	◆	SET OF 2 GASKETS CONNECTION FKM CLAMP ASME BPE	1	AUX315663	■	
120	◆	SET OF 2 GASKETS CONNECTION FKM DIN 40	1	AUX312005	■	
120	◆	SET OF 2 GASKETS CONNECTION FKM SMS 38	1	AUX311928	■	
1012		SEAL	(2)			●
155	◆	CLAMPING COLLAR	1	AUX230592		
200B	◆	SET CYLINDER_PISTON S2	1	AUX313410	■	
201		CYLINDER	(1)			●
301		PISTON	(1)			●
310	◆	SPRING BACK PISTON	1	AUX201216		
310	◆	STRONG SPRING BACK PISTON	1	AUX216492		
311	◆	PUSHER	1	AUX206684		
318*	◆	PISTON NECK SEALS - FKM	1	AUX315317	■	
318*	◆	PISTON NECK SEALS - EPDM	1	AUX315316	■	
316		CAGE	(1)			
317*	◆	SEAL FKM	1	AUX230074		●
317*	◆	SEAL EPDM	1	AUX206863		●
401B	◆	POLISH FRONT COVER - CLAMP ASME BPE 38	1	AUX315658		
401B	◆	POLISH FRONT COVER - DIN 40	1	AUX315650		
401B	◆	POLISH FRONT COVER - SMS38	1	AUX315649		
403*	◆	O-RING FKM	1	AUX230075	■	●
596*	◆	COMPLETE TRANSMISSION BLOCK FKM WITHOUT DETECTION	1	AUX321416		●
596*	◆	COMPLETE TRANSMISSION BLOCK EPDM WITHOUT DETECTION	1	AUX321586		●
600	◆	MECHANICAL SEAL - BLOCDIR	1	AUX301497		

* FKM CE1935/2004 & FDA EPDM CE1935/2004 & FDA