



P.L. : 1002-B01

Effective
Replaces

March 2023
July 2022

PARTS LIST

PUMP

S4C

Keep this parts lists with Installation, Operation and Maintenance Instructions.

To order the required spare parts, indicate the desired Reference(s).

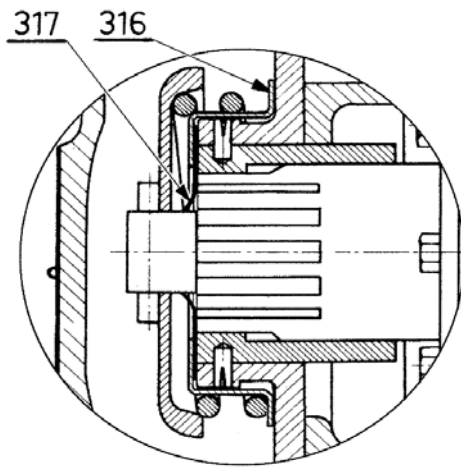
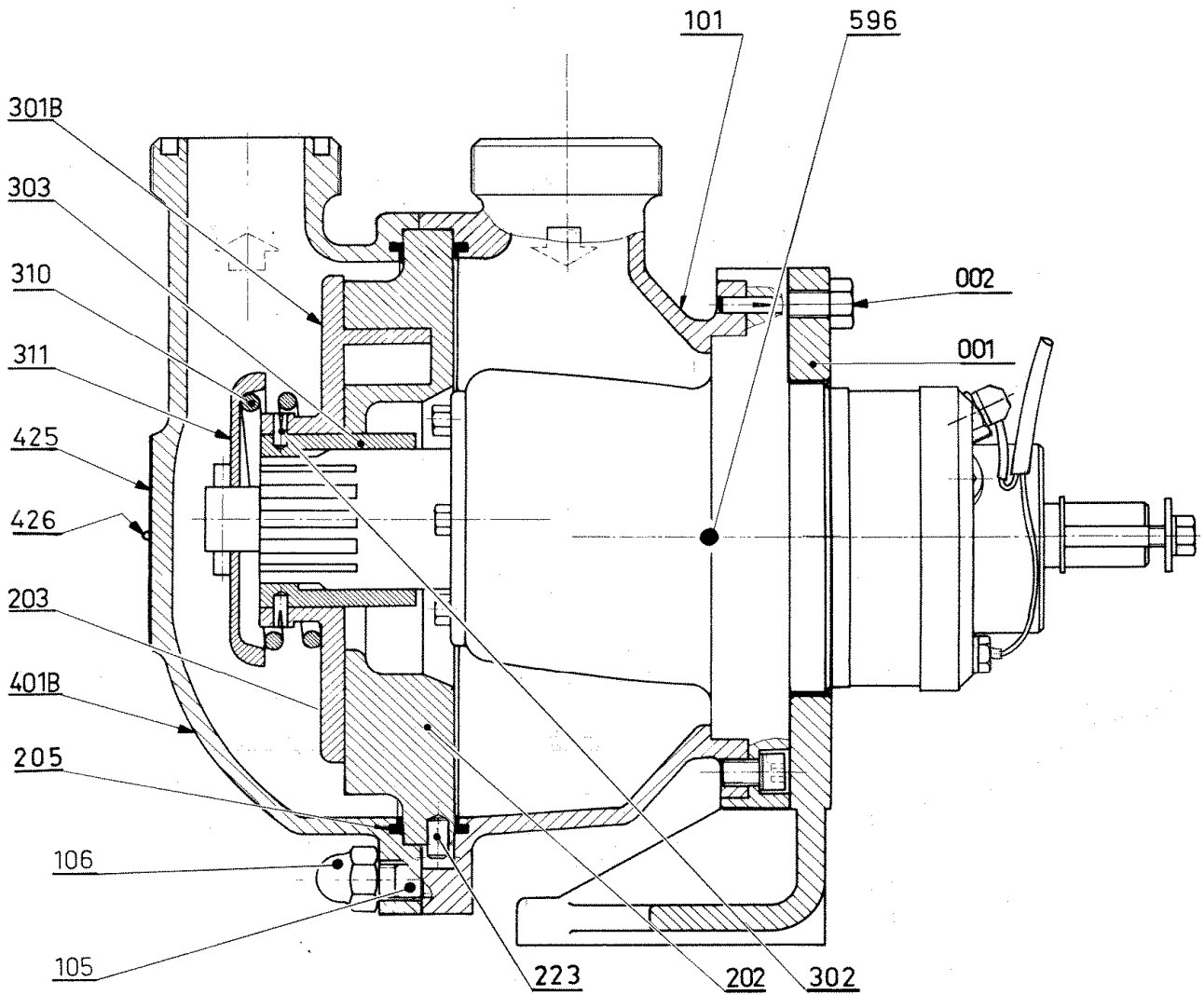
- ◆ Sets of parts or parts available to order.

Z.I. la Plaine des Isles - 2 rue des Caillottes F-89000 AUXERRE - France

Tel : +33 (0)3 86 49 86 30 • Fax : +33 (0)3 86 49 87 17

contact.mouvex@psgdover.com • www.mouvex.com

S4C



S4C

* 1, 2, 4... : Quantity in equipment - (1), (2), (4)... : Quantity in kit

Item	Available	Description	Qty*	Ref.	Maintenance kit	Wear part
5	◆	SUPPORT FOOT PUMP COMPLETE	1	AUX301566		
1		SUPPORT FOOT	(1)			
2		SCREW	(4)			
100	◆	POLISH MAIN BODY - DIN 50	1	AUX308752		
100	◆	POLISH MAIN BODY - SMS 51	1	AUX308753		
100	◆	POLISH MAIN BODY - CLAMP ASME BPE	1	AUX316041		
101		MAIN BODY	(1)			
105		STUD	(4)			
106		BLIND NUT	(4)			
110	◆	SET OF 4 SCREWS	1	AUX304855		
106		BLIND NUT	(4)			
		GASKETS FOR CONNECTION :				
120	◆	SET OF 2 GASKETS CONNECTION FKM CLAMP ASME BPE	1	AUX315664	■	
120	◆	SET OF 2 GASKETS CONNECTION FKM DIN 50	1	AUX311653	■	
120	◆	SET OF 2 GASKETS CONNECTION FKM SMS 51	1	AUX311445	■	
1012		SEAL	(2)			●
200B	◆	SET CYLINDER_PISTON S4C	1	AUX313409	■	
201		CYLINDER	(1)			●
301		PISTON	(1)			●
206*	◆	SET OF CYLINDER ORINGS - FKM	1	AUX304853	■	
205*		SEAL FKM	(2)			●
310	◆	STRONG SPRING BACK PISTON	1	AUX216493		
310	◆	SPRING BACK PISTON	1	AUX235946		
311	◆	PUSHER	1	AUX203746		
318*	◆	PISTON NECK SEALS - FKM	1	AUX302487	■	
318*	◆	PISTON NECK SEALS - EPDM	1	AUX302486	■	
316		CAGE	(1)			
317*	◆	SEAL FKM	1	AUX230078		●
317*	◆	SEAL EPDM	1	AUX202974		●
401B	◆	POLISH FRONT COVER - DIN 50	1	AUX308756		
401B	◆	POLISH FRONT COVER - CLAMP ASME BPE 51	1	AUX315659		
401B	◆	POLISH FRONT COVER - SMS 51	1	AUX315651		
596*	◆	COMPLETE TRANSMISSION BLOCK FKM WITHOUT DETECTION	1	AUX321417		●
596*	◆	COMPLETE TRANSMISSION BLOCK EPDM WITHOUT DETECTION	1	AUX321587		●
600	◆	MECHANICAL SEAL - BLOCDIR	1	AUX301497		

* FKM CE1935/2004 & FDA EPDM CE1935/2004 & FDA