



P.L. : 1002-C01

Effective
Replaces

March 2023
July 2022

PARTS LIST
PUMP
S6C

Keep this parts lists with Installation, Operation and Maintenance Instructions.

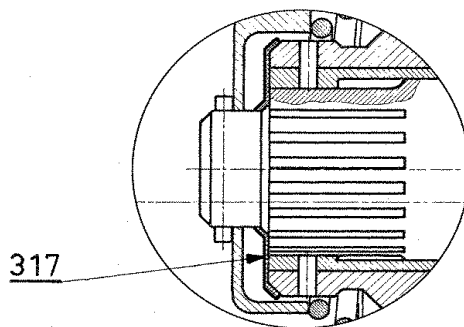
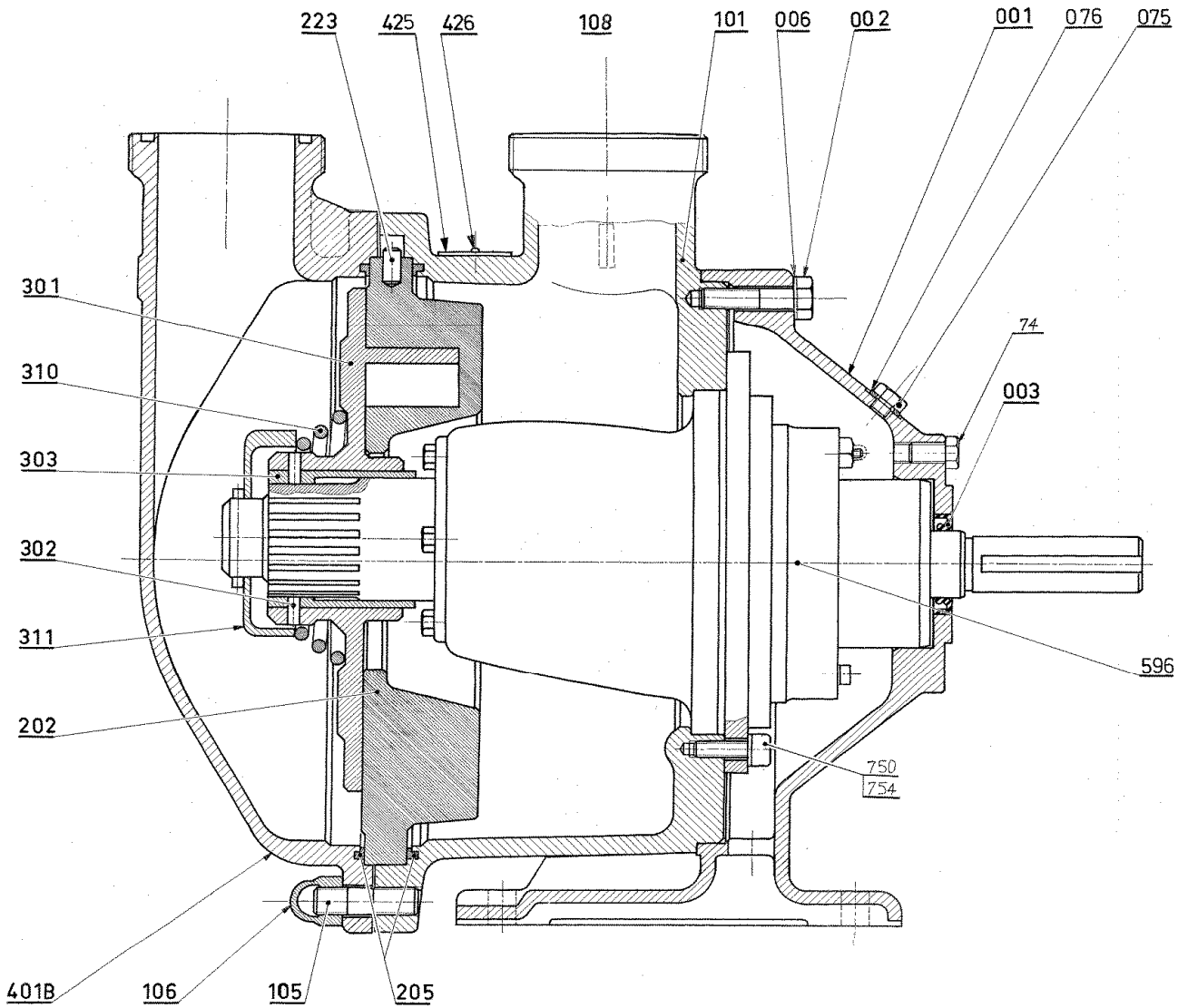
To order the required spare parts, indicate the desired Reference(s).

- ◆ Sets of parts or parts available to order.

Z.I. la Plaine des Isles - 2 rue des Caillottes F-89000 AUXERRE - France

Tel : +33 (0)3 86 49 86 30 • Fax : +33 (0)3 86 49 87 17
contact.mouvex@psgdover.com • www.mouvex.com

S6C



S6C

* 1, 2, 4... : Quantity in equipment - (1), (2), (4)... : Quantity in kit

Item	Available	Description	Qty*	Ref.	Maintenance kit	Wear part
5	◆	SUPPORT FOOT PUMP COMPLETE	1	AUX301568		
1		SUPPORT FOOT	(1)			
2		SCREW	(4)			
3		LIP SEAL	(1)			●
6		WASHER	(4)			
74		SCREW	(4)			
75		SCREW	(1)			
76		SEAL	(1)			●
100	◆	POLISH MAIN BODY - SMS 63	1	AUX309104		
100	◆	POLISH MAIN BODY - DIN 65	1	AUX304514		
100	◆	POLISH MAIN BODY - CLAMP ASME BPE	1	AUX316042		
101		MAIN BODY	(1)			
105		STUD	(8)			
106		BLIND NUT	(8)			
		GASKETS FOR CONNECTION :				
120	◆	SET OF 2 GASKETS CONNECTION FKM CLAMP ASME BPE	1	AUX315665	■	
120	◆	SET OF 2 GASKETS CONNECTION FKM DIN 65	1	AUX311654	■	
120	◆	SET OF 2 GASKETS CONNECTION FKM SMS 63	1	AUX311583	■	
1012		SEAL	(2)			●
200B	◆	SET CYLINDER_PISTON S6C	1	AUX313415	■	
201		CYLINDER	(1)			●
301		PISTON	(1)			●
206*	◆	SET OF CYLINDER ORINGS - FKM	1	AUX304864	■	
205*		SEAL FKM	(2)			●
310	◆	SPRING BACK PISTON	1	AUX201227		
310	◆	STRONG SPRING BACK PISTON	1	AUX216494		
311	◆	PUSHER	1	AUX206079		
317*	◆	SEAL FKM	1	AUX230081		
317*	◆	SEAL EPDM	1	AUX243915		
401B	◆	POLISH FRONT COVER - CLAMP ASME BPE 63	1	AUX315660		
401B	◆	POLISH FRONT COVER - DIN 65	1	AUX315654		
401B	◆	POLISH FRONT COVER - SMS 63	1	AUX315653		
596*	◆	COMPLETE TRANSMISSION BLOCK FKM WITHOUT DETECTION	1	AUX321418		●
596*	◆	COMPLETE TRANSMISSION BLOCK EPDM WITHOUT DETECTION	1	AUX321588		●
600	◆	MECHANICAL SEAL - BLOCDIR	1	AUX301587		

* FKM CE1935/2004 & FDA EPDM CE1935/2004 & FDA