

PARTS LIST

PUMPS

SLC4 i - SLC8 i - SLC4 i HT - SLC8 i HT

Keep this parts lists with Installation, Operation and Maintenance Instructions.

To order the required spare parts, indicate the desired Reference(s).

- ◆ Sets of parts or parts available to order.

BMS : Bellows monitoring system

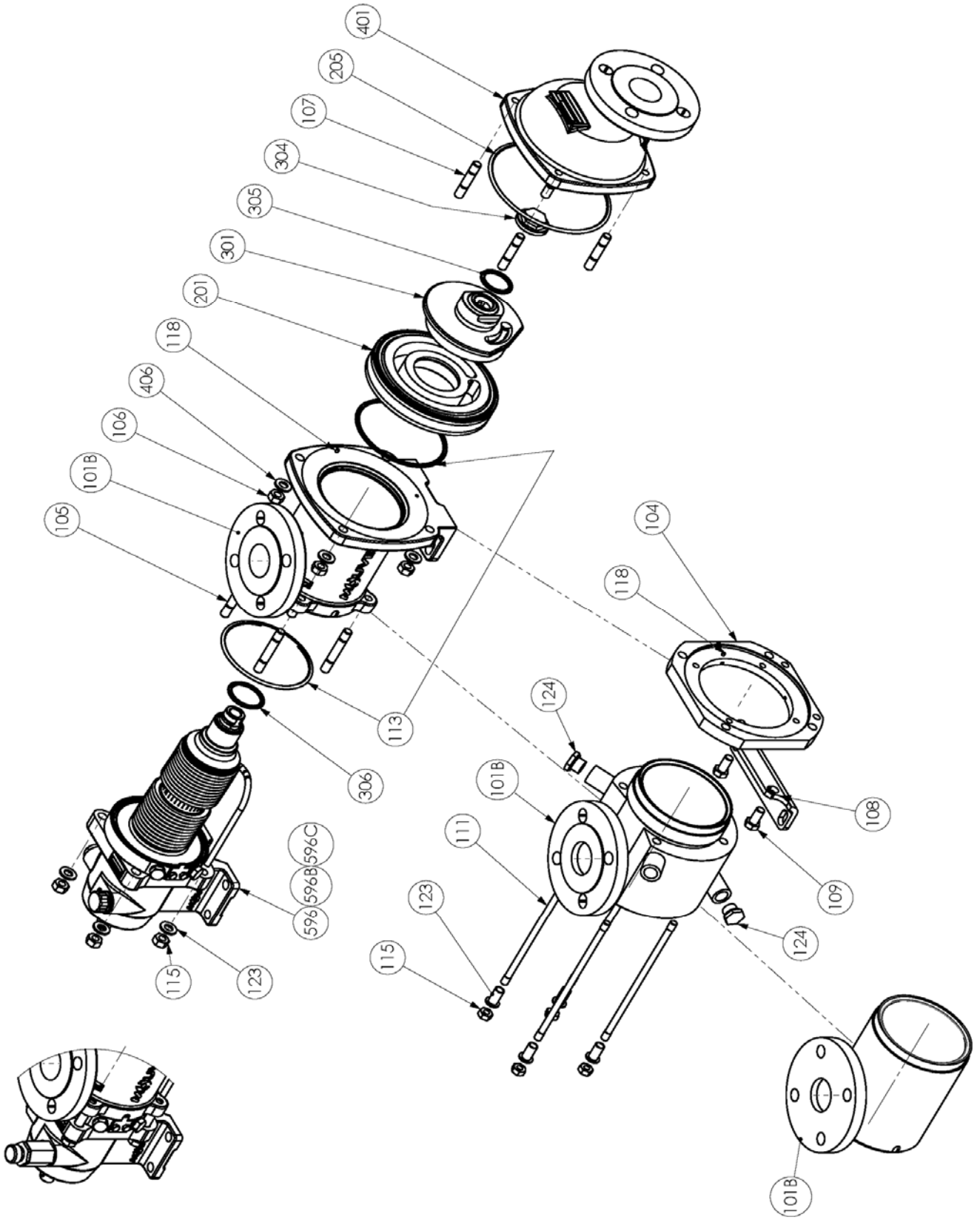
CVT : FEP encapsulated FKM

Z.I. la Plaine des Isles - 2 rue des Caillottes F-89000 AUXERRE - France

Tel : +33 (0)3 86 49 86 30 • Fax : +33 (0)3 86 49 87 17

contact.mouvex@psgdover.com • www.mouvex.com

SLC4 i - SLC8 i - SLC4 i HT - SLC8 i HT



Version HT

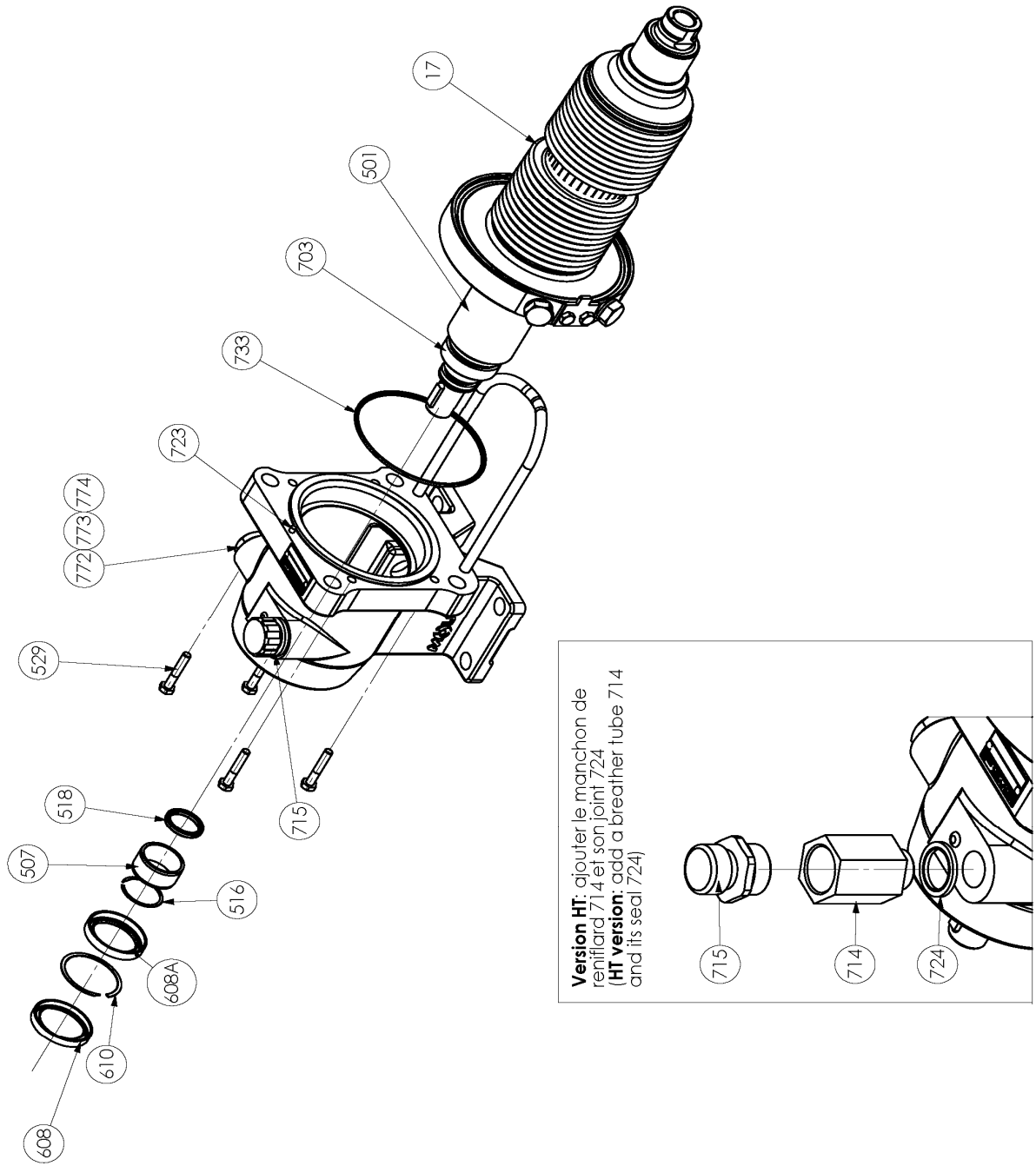
Standard

With jacket

Turn able manifold

SLC4 i - SLC8 i - SLC4 i HT - SLC8 i HT

Transmission



Version HT: ajouter le manchon de reniflard 714 et son joint 724.
(HT version: add a breather tube 714 and its seal 724)

SLC4 i

* 1, 2, 4... : Quantity in equipment - (1), (2), (4)... : Quantity in kit

Item	Available	Description	Qty*	Ref.	Maintenance kit	Wear part
8	◆	SET PLUGS SL4_8	1	AUX316251		
715	◆	BREATHER	1	AUX219240		●
751		PLUG	(1)			
772		PLUG	(1)			
773		PLUG	(1)			
774		SEAL	(1)			●
9	◆	BEARING GASKETS _ RING SET _ CIRCLIPS	1	AUX316243		
507		RING	(1)			●
516		CIRCLIPS	(1)			
518		SEAL	(1)			●
608		LIP SEAL	(1)			●
608A		LIP SEAL	(1)			●
610		CIRCLIPS	(1)			
733		O-RING	(1)			●
16A	◆	SCREWS SET FOR BELLOWS SL 4_8	1	AUX316250		
529		SCREW	(4)			
723		PIN	(1)			
17A	◆	SET BELLOWS SL 4_8 WITHOUT BMS	1	AUX316742		
17A	◆	SET BELLOWS SL 4_8 WITH BMS	1	AUX316743		
17A	◆	SET BELLOWS SL 4_8 WITH BMS ATEX	1	AUX316744		
100	◆	INLET MANIFOLD FLANGE PN16 PN20 SLC 4_8 - STANDARD	1	AUX316258		
101B		MAIN BODY	(1)			
118		PIN	(1)			
100	◆	INLET MANIFOLD FLANGE PN16 PN20 SLC 4_8 - JACKET	1	AUX316225		
100	◆	INLET MANIFOLD FLANGE PN16 PN20 SLC 4_8 - TURN ABLE MANIFOLD	1	AUX317621		
101B		MAIN BODY	(1)			
104		MAIN BODY FLANGE	(1)			
108		SUPPORT FOOT	(1)			
109		SCREW	(2)			
117		PIN	(1)			
118		PIN	(1)			
124		PLUG (JACKET VERSION)	(2)			
119	◆	SCREWS SET SLC 4 - STANDARD PUMP	1	AUX316256		
105		STUD	(4)			
106		NUT	(4)			
107		STUD	(4)			
115		NUT	(4)			
123		WASHER	(4)			
406		WASHER	(4)			
119	◆	SCREWS SET SLS 4 SLC 4 - JACKETED PUMP_TURN ABLE MANIFOLD	1	AUX316254		
106		NUT	(4)			
107		STUD	(4)			
111		STUD	(4)			
115		NUT	(4)			
123		WASHER	(4)			
406		WASHER	(4)			
200	◆	SET CYLINDER_PISTON SL 4	1	AUX316239	■	
201		CYLINDER	(1)			●
301		PISTON	(1)			●
304	◆	PISTON SCREW	1	AUX229316		●
206	◆	SET OF CVT 'O' RING SEALS SL 4-8	1	AUX316242	■	
206	◆	SET OF FKM 'O' RING SEALS SL 4-8	1	AUX316963	■	
113		SEAL	(2)			●
205		SEAL	(1)			●
305		SEAL	(1)			●
306		SEAL	(1)			●
401	◆	FRONT COVER SLC 4-8	1	AUX229214		

SLC4 i

* 1, 2, 4... : Quantity in equipment - (1), (2), (4)... : Quantity in kit

Item	Available	Description	Qty*	Ref.	Maintenance kit	Wear part
596	◆	COMPLETE TRANSMISSION WITHOUT BMS	1	AUX316195	■	●
596	◆	COMPLETE TRANSMISSION WITHOUT BMS - PUMP WITH JACKET	1	AUX316202	■	●
596B*	◆	COMPLETE TRANSMISSION WITH BMS - ATEX LEFT	1	AUX316199	■	●
596B*	◆	COMPLETE TRANSMISSION WITH BMS - ATEX LEFT - PUMP WITH JACKET	1	AUX316208	■	●
596B*	◆	COMPLETE TRANSMISSION WITH BMS - LEFT	1	AUX316197	■	●
596B*	◆	COMPLETE TRANSMISSION WITH BMS - LEFT - PUMP WITH JACKET	1	AUX316205	■	●
596C*	◆	COMPLETE TRANSMISSION WITH BMS - ATEX RIGHT	1	AUX316198	■	●
596C*	◆	COMPLETE TRANSMISSION WITH BMS - ATEX RIGHT - PUMP WITH JACKET	1	AUX316206	■	●
596C*	◆	COMPLETE TRANSMISSION WITH BMS - RIGHT	1	AUX316196	■	●
596C*	◆	COMPLETE TRANSMISSION WITH BMS - RIGHT - PUMP WITH JACKET	1	AUX316204	■	●

* Looking at pump from drive side

SLC8 i

* 1, 2, 4... : Quantity in equipment - (1), (2), (4)... : Quantity in kit

Item	Available	Description	Qty*	Ref.	Maintenance kit	Wear part
8	◆	SET PLUGS SL4_8	1	AUX316251		
715	◆	BREATHER	1	AUX219240		●
751		PLUG	(1)			
772		PLUG	(1)			
773		PLUG	(1)			
774		SEAL	(1)			●
9	◆	BEARING GASKETS _ RING SET _ CIRCLIPS	1	AUX316243		
507		RING	(1)			●
516		CIRCLIPS	(1)			
518		SEAL	(1)			●
608		LIP SEAL	(1)			●
608A		LIP SEAL	(1)			●
610		CIRCLIPS	(1)			
733		O-RING	(1)			●
16A	◆	SCREWS SET FOR BELLOWS SL 4_8	1	AUX316250		
529		SCREW	(4)			
723		PIN	(1)			
17A	◆	SET BELLOWS SL 4_8 WITHOUT BMS	1	AUX316742		
17A	◆	SET BELLOWS SL 4_8 WITH BMS	1	AUX316743		
17A	◆	SET BELLOWS SL 4_8 WITH BMS ATEX	1	AUX316744		
100	◆	INLET MANIFOLD FLANGE PN16 PN20 SLC 4_8 - STANDARD	1	AUX316258		
101B		MAIN BODY	(1)			
118		PIN	(1)			
100	◆	INLET MANIFOLD FLANGE PN16 PN20 SLC 4_8 - JACKET	1	AUX316225		
100	◆	INLET MANIFOLD FLANGE PN16 PN20 SLC 4_8 - TURN ABLE MANIFOLD	1	AUX317621		
101B		MAIN BODY	(1)			
104		MAIN BODY FLANGE	(1)			
108		SUPPORT FOOT	(1)			
109		SCREW	(2)			
117		PIN	(1)			
118		PIN	(1)			
124		PLUG (JACKET VERSION)	(2)			
119	◆	SCREWS SET SLC 8 - STANDARD PUMP	1	AUX316257		
105		STUD	(4)			
106		NUT	(4)			
107		STUD	(4)			
115		NUT	(4)			
123		WASHER	(4)			
406		WASHER	(4)			
119	◆	SCREWS SET SLS 8 SLC 8 - JACKETED PUMP_TURN ABLE MANIFOLD	1	AUX316255		
106		NUT	(4)			
107		STUD	(4)			
111		STUD	(4)			
115		NUT	(4)			
123		WASHER	(4)			
406		WASHER	(4)			
200	◆	SET CYLINDER_PISTON SL 8	1	AUX316240	■	
201		CYLINDER	(1)			●
301		PISTON	(1)			●
304	◆	PISTON SCREW	1	AUX229316		●
206	◆	SET OF CVT 'O' RING SEALS SL 4-8	1	AUX316242	■	
206	◆	SET OF FKM 'O' RING SEALS SL 4-8	1	AUX316963	■	
113		SEAL	(2)			●
205		SEAL	(1)			●
305		SEAL	(1)			●
306		SEAL	(1)			●
401	◆	FRONT COVER SLC 4-8	1	AUX229214		

SLC8 i

* 1, 2, 4... : Quantity in equipment - (1), (2), (4)... : Quantity in kit

Item	Available	Description	Qty*	Ref.	Maintenance kit	Wear part
596	◆	COMPLETE TRANSMISSION WITHOUT BMS	1	AUX316195	■	●
596	◆	COMPLETE TRANSMISSION WITHOUT BMS - PUMP WITH JACKET	1	AUX316202	■	●
596B*	◆	COMPLETE TRANSMISSION WITH BMS - ATEX LEFT	1	AUX316199	■	●
596B*	◆	COMPLETE TRANSMISSION WITH BMS - ATEX LEFT - PUMP WITH JACKET	1	AUX316208	■	●
596B*	◆	COMPLETE TRANSMISSION WITH BMS - LEFT	1	AUX316197	■	●
596B*	◆	COMPLETE TRANSMISSION WITH BMS - LEFT - PUMP WITH JACKET	1	AUX316205	■	●
596C*	◆	COMPLETE TRANSMISSION WITH BMS - ATEX RIGHT	1	AUX316198	■	●
596C*	◆	COMPLETE TRANSMISSION WITH BMS - ATEX RIGHT - PUMP WITH JACKET	1	AUX316206	■	●
596C*	◆	COMPLETE TRANSMISSION WITH BMS - RIGHT	1	AUX316196	■	●
596C*	◆	COMPLETE TRANSMISSION WITH BMS - RIGHT - PUMP WITH JACKET	1	AUX316204	■	●

* Looking at pump from drive side

SLC4 i HT

* 1, 2, 4... : Quantity in equipment - (1), (2), (4)... : Quantity in kit

Item	Available	Description	Qty*	Ref.	Maintenance kit	Wear part
8	◆	SET PLUGS SL4_8 HT	1	AUX318524		
714		NIPPLE	(1)			
715	◆	SNIFTER VALVE	1	AUX220281		●
724		SEAL WASHER	(1)			
751		PLUG	(1)			
772		PLUG	(1)			
773		PLUG	(1)			
774		SEAL	(1)			●
9	◆	BEARING GASKETS _ RING SET _ CIRCLIPS	1	AUX316243		
507		RING	(1)			●
516		CIRCLIPS	(1)			
518		SEAL	(1)			●
608		LIP SEAL	(1)			●
608A		LIP SEAL	(1)			●
610		CIRCLIPS	(1)			
733		O-RING	(1)			●
16A	◆	SCREWS SET FOR BELLOWS SL 4_8	1	AUX316250		
529		SCREW	(4)			
723		PIN	(1)			
17A	◆	SET BELLOWS SL 4_8 HT WITHOUT BMS	1	AUX318529		
100	◆	INLET MANIFOLD FLANGE PN16 PN20 SLC 4_8 - STANDARD	1	AUX316258		
101B		MAIN BODY	(1)			
118		PIN	(1)			
100	◆	INLET MANIFOLD FLANGE PN16 PN20 SLC 4_8 - JACKET	1	AUX316225		
100	◆	INLET MANIFOLD FLANGE PN16 PN20 SLC 4_8 - TURN ABLE MANIFOLD	1	AUX317621		
101B		MAIN BODY	(1)			
104		MAIN BODY FLANGE	(1)			
108		SUPPORT FOOT	(1)			
109		SCREW	(2)			
117		PIN	(1)			
118		PIN	(1)			
124		PLUG (JACKET VERSION)	(2)			
119	◆	SCREWS SET SLC 4 - STANDARD PUMP	1	AUX316256		
105		STUD	(4)			
106		NUT	(4)			
107		STUD	(4)			
115		NUT	(4)			
123		WASHER	(4)			
406		WASHER	(4)			
119	◆	SCREWS SET SLS 4 SLC 4 - JACKETED PUMP_TURN ABLE MANIFOLD	1	AUX316254		
106		NUT	(4)			
107		STUD	(4)			
111		STUD	(4)			
115		NUT	(4)			
123		WASHER	(4)			
406		WASHER	(4)			
200	◆	SET CYLINDER_PISTON SL 4	1	AUX316239	■	
201		CYLINDER	(1)			●
301		PISTON	(1)			●
304	◆	PISTON SCREW	1	AUX229316		●
206	◆	SET OF CVT 'O' RING SEALS SL 4-8	1	AUX316242	■	
206	◆	SET OF FKM 'O' RING SEALS SL 4-8	1	AUX316963	■	
113		SEAL	(2)			●
205		SEAL	(1)			●
305		SEAL	(1)			●
306		SEAL	(1)			●
401	◆	FRONT COVER SLC 4-8	1	AUX229214		
596	◆	COMPLETE TRANSMISSION SL 4-8 HT	1	AUX318520	■	●
596	◆	COMPLETE TRANSMISSION SL 4-8 HT - JACKETED VERSION	1	AUX318530	■	●

SLC8 i HT

* 1, 2, 4... : Quantity in equipment - (1), (2), (4)... : Quantity in kit

Item	Available	Description	Qty*	Ref.	Maintenance kit	Wear part
8	◆	SET PLUGS SL4_8 HT	1	AUX318524		
714		NIPPLE	(1)			
715	◆	SNIFTER VALVE	1	AUX220281		●
724		SEAL WASHER	(1)			
751		PLUG	(1)			
772		PLUG	(1)			
773		PLUG	(1)			
774		SEAL	(1)			●
9	◆	BEARING GASKETS _ RING SET _ CIRCLIPS	1	AUX316243		
507		RING	(1)			●
516		CIRCLIPS	(1)			
518		SEAL	(1)			●
608		LIP SEAL	(1)			●
608A		LIP SEAL	(1)			●
610		CIRCLIPS	(1)			
733		O-RING	(1)			●
16A	◆	SCREWS SET FOR BELLOWS SL 4_8	1	AUX316250		
529		SCREW	(4)			
723		PIN	(1)			
17A	◆	SET BELLOWS SL 4_8 HT WITHOUT BMS	1	AUX318529		
100	◆	INLET MANIFOLD FLANGE PN16 PN20 SLC 4_8 - STANDARD	1	AUX316258		
101B		MAIN BODY	(1)			
118		PIN	(1)			
100	◆	INLET MANIFOLD FLANGE PN16 PN20 SLC 4_8 - JACKET	1	AUX316225		
100	◆	INLET MANIFOLD FLANGE PN16 PN20 SLC 4_8 - TURN ABLE MANIFOLD	1	AUX317621		
101B		MAIN BODY	(1)			
104		MAIN BODY FLANGE	(1)			
108		SUPPORT FOOT	(1)			
109		SCREW	(2)			
117		PIN	(1)			
118		PIN	(1)			
124		PLUG (JACKET VERSION)	(2)			
119	◆	SCREWS SET SLC 8 - STANDARD PUMP	1	AUX316257		
105		STUD	(4)			
106		NUT	(4)			
107		STUD	(4)			
115		NUT	(4)			
123		WASHER	(4)			
406		WASHER	(4)			
119	◆	SCREWS SET SLS 8 SLC 8 - JACKETED PUMP_TURN ABLE MANIFOLD	1	AUX316255		
106		NUT	(4)			
107		STUD	(4)			
111		STUD	(4)			
115		NUT	(4)			
123		WASHER	(4)			
406		WASHER	(4)			
200	◆	SET CYLINDER_PISTON SL 8	1	AUX316240	■	
201		CYLINDER	(1)			●
301		PISTON	(1)			●
304	◆	PISTON SCREW	1	AUX229316		●
206	◆	SET OF CVT 'O' RING SEALS SL 4-8	1	AUX316242	■	
206	◆	SET OF FKM 'O' RING SEALS SL 4-8	1	AUX316963	■	
113		SEAL	(2)			●
205		SEAL	(1)			●
305		SEAL	(1)			●
306		SEAL	(1)			●
401	◆	FRONT COVER SLC 4-8	1	AUX229214		
596	◆	COMPLETE TRANSMISSION SL 4-8 HT	1	AUX318520	■	●
596	◆	COMPLETE TRANSMISSION SL 4-8 HT - JACKETED VERSION	1	AUX318530	■	●