

PIECES DETACHEES
POMPES
SLC4 i - SLC8 i - SLC4 i HT - SLC8 i HT

Conserver la liste de pièces détachées avec la Notice d'instructions.

Pour commander des pièces de rechange, indiquer le(s) Référence(s) désirée(s).

- ◆ Ensembles de pièces ou pièces seules pouvant être fournis.

BMS : Dispositif de surveillance du soufflet

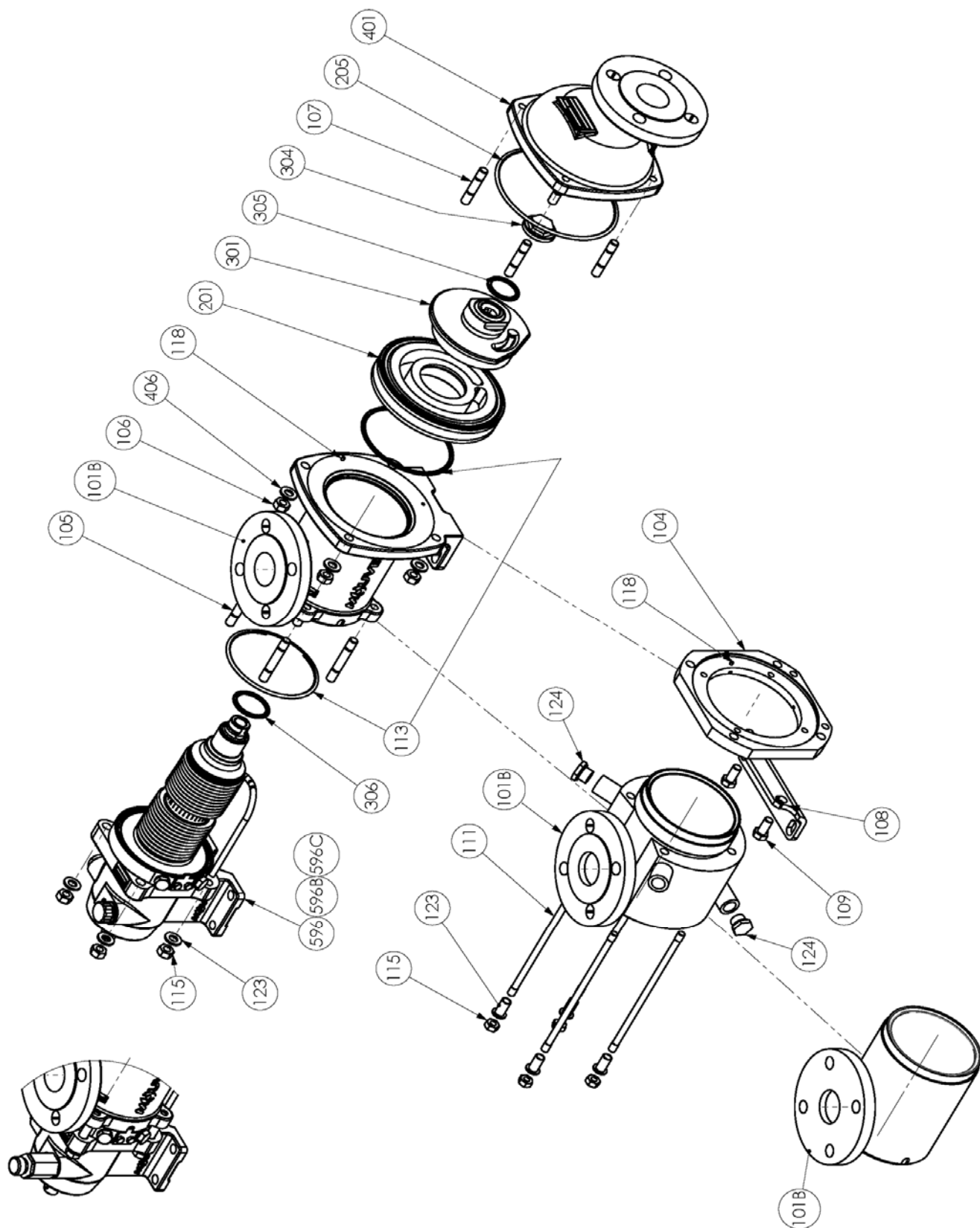
CVT : FKM enrobé FEP

Z.I. la Plaine des Isles - 2 rue des Caillottes F-89000 AUXERRE - France

Tél : +33 (0)3 86 49 86 30 • Fax : +33 (0)3 86 49 87 17

contact.mouvex@psgdover.com • www.mouvex.com

SLC4 i - SLC8 i - SLC4 i HT - SLC8 i HT



Version HT

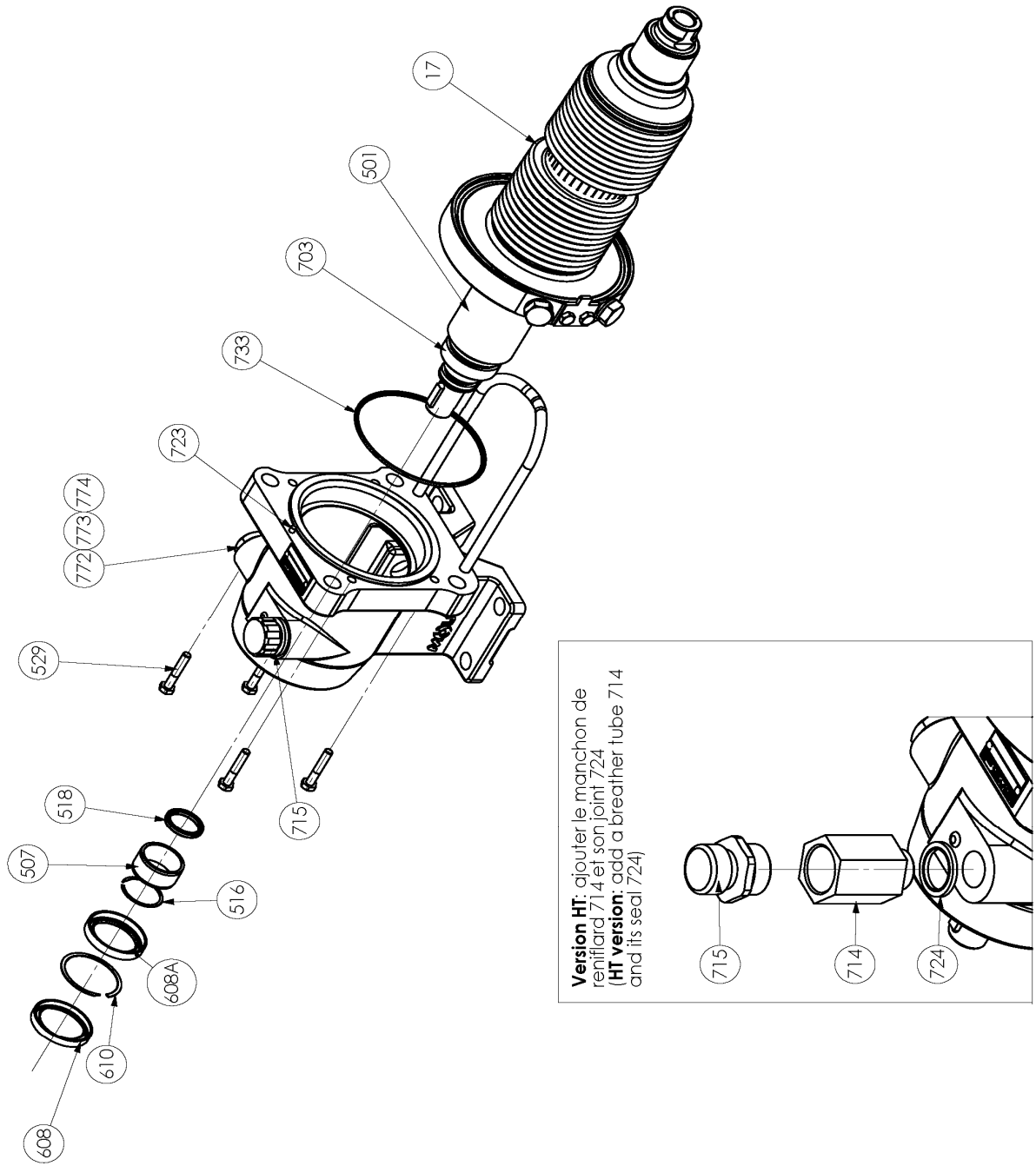
Standard

Enveloppe

Aspiration orientable

SLC4 i - SLC8 i - SLC4 i HT - SLC8 i HT

Transmission



SLC4 i

* 1, 2, 4... : Quantité dans le matériel - (1), (2), (4)... : Quantité dans le kit

| Repère | Vendable | Description | Qté* | Ref. | Kit maintenance | Pièce usure |
|--------|----------|---|------|-----------|-----------------|-------------|
| 8 | ◆ | ENSEMBLE BOUCHONS SL4_8 | 1 | AUX316251 | | |
| 715 | ◆ | BOUCHON RENIFLARD | 1 | AUX219240 | | ● |
| 751 | | BOUCHON | (1) | | | |
| 772 | | BOUCHON | (1) | | | |
| 773 | | BOUCHON | (1) | | | |
| 774 | | JOINT | (1) | | | ● |
| 9 | ◆ | JOINTS _ BAGUE PALIER _ CIRCLIPS | 1 | AUX316243 | | |
| 507 | | BAGUE | (1) | | | ● |
| 516 | | CIRCLIPS | (1) | | | |
| 518 | | JOINT | (1) | | | ● |
| 608 | | JOINT A LEVRE | (1) | | | ● |
| 608A | | JOINT A LEVRE | (1) | | | ● |
| 610 | | CIRCLIPS | (1) | | | |
| 733 | | JOINT TORIQUE | (1) | | | ● |
| 16A | ◆ | VISSERIE POUR SOUFFLET SL 4_8 | 1 | AUX316250 | | |
| 529 | | VIS | (4) | | | |
| 723 | | GOUPILLE | (1) | | | |
| 17A | ◆ | ENSEMBLE SOUFFLET SL 4_8 SANS BMS | 1 | AUX316742 | | |
| 17A | ◆ | ENSEMBLE SOUFFLET SL 4_8 AVEC BMS | 1 | AUX316743 | | |
| 17A | ◆ | ENSEMBLE SOUFFLET SL 4_8 AVEC BMS ATEX | 1 | AUX316744 | | |
| 100 | ◆ | TUBULURE BRIDES PN16 PN20 SLC 4_8 - STANDARD | 1 | AUX316258 | | |
| 101B | | TUBULURE | (1) | | | |
| 118 | | GOUPILLE | (1) | | | |
| 100 | ◆ | TUBULURE BRIDES PN16 PN20 SLC 4_8 - ENVELOPPE | 1 | AUX316225 | | |
| 100 | ◆ | TUBULURE BRIDES PN16 PN20 SLC 4_8 - ASPIRATION ORIENTABLE | 1 | AUX317621 | | |
| 101B | | TUBULURE | (1) | | | |
| 104 | | BRIDE DE TUBULURE | (1) | | | |
| 108 | | PATTE | (1) | | | |
| 109 | | VIS | (2) | | | |
| 117 | | GOUPILLE | (1) | | | |
| 118 | | GOUPILLE | (1) | | | |
| 124 | | BOUCHON (VERSION ENVELOPPE) | (2) | | | |
| 119 | ◆ | VISSERIE SLC 4 - POMPE STANDARD | 1 | AUX316256 | | |
| 105 | | GOUJON | (4) | | | |
| 106 | | ECROU | (4) | | | |
| 107 | | GOUJON | (4) | | | |
| 115 | | ECROU | (4) | | | |
| 123 | | RONDELLE | (4) | | | |
| 406 | | RONDELLE | (4) | | | |
| 119 | ◆ | VISSERIE SLS 4 SLC 4 - POMPE ENVELOPPE_ASPIRATION ORIENTABLE | 1 | AUX316254 | | |
| 106 | | ECROU | (4) | | | |
| 107 | | GOUJON | (4) | | | |
| 111 | | GOUJON | (4) | | | |
| 115 | | ECROU | (4) | | | |
| 123 | | RONDELLE | (4) | | | |
| 406 | | RONDELLE | (4) | | | |
| 200 | ◆ | ENSEMBLE CYLINDRE_PISTON SL 4 | 1 | AUX316239 | ■ | |
| 201 | | CYLINDRE | (1) | | | ● |
| 301 | | PISTON | (1) | | | ● |
| 304 | ◆ | VIS DE PISTON | 1 | AUX229316 | | ● |
| 206 | ◆ | JEU DE JOINTS CVT SL 4-8 | 1 | AUX316242 | ■ | |
| 206 | ◆ | JEU DE JOINTS FKM SL 4-8 | 1 | AUX316963 | ■ | |
| 113 | | JOINT | (2) | | | ● |
| 205 | | JOINT | (1) | | | ● |
| 305 | | JOINT | (1) | | | ● |
| 306 | | JOINT | (1) | | | ● |
| 401 | ◆ | FOND SLC 4-8 | 1 | AUX229214 | | |

SLC4 i

* 1, 2, 4... : Quantité dans le matériel - (1), (2), (4)... : Quantité dans le kit

| Repère | Vendable | Description | Qté* | Ref. | Kit maintenance | Pièce usure |
|--------|----------|--|------|-----------|-----------------|-------------|
| 596 | ◆ | TRANSMISSION COMPLETE SANS BMS | 1 | AUX316195 | ■ | ● |
| 596 | ◆ | TRANSMISSION COMPLETE SANS BMS - POMPE ENVELOPPE | 1 | AUX316202 | ■ | ● |
| 596B* | ◆ | TRANSMISSION COMPLETE AVEC BMS - ATEX GAUCHE | 1 | AUX316199 | ■ | ● |
| 596B* | ◆ | TRANSMISSION COMPLETE AVEC BMS - ATEX GAUCHE - POMPE ENVELOPPE | 1 | AUX316208 | ■ | ● |
| 596B* | ◆ | TRANSMISSION COMPLETE AVEC BMS - GAUCHE | 1 | AUX316197 | ■ | ● |
| 596B* | ◆ | TRANSMISSION COMPLETE AVEC BMS - GAUCHE - POMPE ENVELOPPE | 1 | AUX316205 | ■ | ● |
| 596C* | ◆ | TRANSMISSION COMPLETE AVEC BMS - ATEX DROITE | 1 | AUX316198 | ■ | ● |
| 596C* | ◆ | TRANSMISSION COMPLETE AVEC BMS - ATEX DROITE - POMPE ENVELOPPE | 1 | AUX316206 | ■ | ● |
| 596C* | ◆ | TRANSMISSION COMPLETE AVEC BMS - DROITE | 1 | AUX316196 | ■ | ● |
| 596C* | ◆ | TRANSMISSION COMPLETE AVEC BMS - DROITE - POMPE ENVELOPPE | 1 | AUX316204 | ■ | ● |

* En regardant la pompe côté arbre d'entraînement

SLC8 i

* 1, 2, 4... : Quantité dans le matériel - (1), (2), (4)... : Quantité dans le kit

| Repère | Vendable | Description | Qté* | Ref. | Kit maintenance | Pièce usure |
|--------|----------|---|------|-----------|-----------------|-------------|
| 8 | ◆ | ENSEMBLE BOUCHONS SL4_8 | 1 | AUX316251 | | |
| 715 | ◆ | BOUCHON RENIFLARD | 1 | AUX219240 | | ● |
| 751 | | BOUCHON | (1) | | | |
| 772 | | BOUCHON | (1) | | | |
| 773 | | BOUCHON | (1) | | | |
| 774 | | JOINT | (1) | | | ● |
| 9 | ◆ | JOINTS _ BAGUE PALIER _ CIRCLIPS | 1 | AUX316243 | | |
| 507 | | BAGUE | (1) | | | ● |
| 516 | | CIRCLIPS | (1) | | | |
| 518 | | JOINT | (1) | | | ● |
| 608 | | JOINT A LEVRE | (1) | | | ● |
| 608A | | JOINT A LEVRE | (1) | | | ● |
| 610 | | CIRCLIPS | (1) | | | |
| 733 | | JOINT TORIQUE | (1) | | | ● |
| 16A | ◆ | VISSERIE POUR SOUFFLET SL 4_8 | 1 | AUX316250 | | |
| 529 | | VIS | (4) | | | |
| 723 | | GOUPILLE | (1) | | | |
| 17A | ◆ | ENSEMBLE SOUFFLET SL 4_8 SANS BMS | 1 | AUX316742 | | |
| 17A | ◆ | ENSEMBLE SOUFFLET SL 4_8 AVEC BMS | 1 | AUX316743 | | |
| 17A | ◆ | ENSEMBLE SOUFFLET SL 4_8 AVEC BMS ATEX | 1 | AUX316744 | | |
| 100 | ◆ | TUBULURE BRIDES PN16 PN20 SLC 4_8 - STANDARD | 1 | AUX316258 | | |
| 101B | | TUBULURE | (1) | | | |
| 118 | | GOUPILLE | (1) | | | |
| 100 | ◆ | TUBULURE BRIDES PN16 PN20 SLC 4_8 - ENVELOPPE | 1 | AUX316225 | | |
| 100 | ◆ | TUBULURE BRIDES PN16 PN20 SLC 4_8 - ASPIRATION ORIENTABLE | 1 | AUX317621 | | |
| 101B | | TUBULURE | (1) | | | |
| 104 | | BRIDE DE TUBULURE | (1) | | | |
| 108 | | PATTE | (1) | | | |
| 109 | | VIS | (2) | | | |
| 117 | | GOUPILLE | (1) | | | |
| 118 | | GOUPILLE | (1) | | | |
| 124 | | BOUCHON (VERSION ENVELOPPE) | (2) | | | |
| 119 | ◆ | VISSERIE SLC 8 - POMPE STANDARD | 1 | AUX316257 | | |
| 105 | | GOUJON | (4) | | | |
| 106 | | ECROU | (4) | | | |
| 107 | | GOUJON | (4) | | | |
| 115 | | ECROU | (4) | | | |
| 123 | | RONDELLE | (4) | | | |
| 406 | | RONDELLE | (4) | | | |
| 119 | ◆ | VISSERIE SLS 8 SLC 8 - POMPE ENVELOPPE_ASPIRATION ORIENTABLE | 1 | AUX316255 | | |
| 106 | | ECROU | (4) | | | |
| 107 | | GOUJON | (4) | | | |
| 111 | | GOUJON | (4) | | | |
| 115 | | ECROU | (4) | | | |
| 123 | | RONDELLE | (4) | | | |
| 406 | | RONDELLE | (4) | | | |
| 200 | ◆ | ENSEMBLE CYLINDRE_PISTON SL 8 | 1 | AUX316240 | ■ | |
| 201 | | CYLINDRE | (1) | | | ● |
| 301 | | PISTON | (1) | | | ● |
| 304 | ◆ | VIS DE PISTON | 1 | AUX229316 | | ● |
| 206 | ◆ | JEU DE JOINTS CVT SL 4-8 | 1 | AUX316242 | ■ | |
| 206 | ◆ | JEU DE JOINTS FKM SL 4-8 | 1 | AUX316963 | ■ | |
| 113 | | JOINT | (2) | | | ● |
| 205 | | JOINT | (1) | | | ● |
| 305 | | JOINT | (1) | | | ● |
| 306 | | JOINT | (1) | | | ● |
| 401 | ◆ | FOND SLC 4-8 | 1 | AUX229214 | | |

SLC8 i

* 1, 2, 4... : Quantité dans le matériel - (1), (2), (4)... : Quantité dans le kit

| Repère | Vendable | Description | Qté* | Ref. | Kit maintenance | Pièce usure |
|--------|----------|--|------|-----------|-----------------|-------------|
| 596 | ◆ | TRANSMISSION COMPLETE SANS BMS | 1 | AUX316195 | ■ | ● |
| 596 | ◆ | TRANSMISSION COMPLETE SANS BMS - POMPE ENVELOPPE | 1 | AUX316202 | ■ | ● |
| 596B* | ◆ | TRANSMISSION COMPLETE AVEC BMS - ATEX GAUCHE | 1 | AUX316199 | ■ | ● |
| 596B* | ◆ | TRANSMISSION COMPLETE AVEC BMS - ATEX GAUCHE - POMPE ENVELOPPE | 1 | AUX316208 | ■ | ● |
| 596B* | ◆ | TRANSMISSION COMPLETE AVEC BMS - GAUCHE | 1 | AUX316197 | ■ | ● |
| 596B* | ◆ | TRANSMISSION COMPLETE AVEC BMS - GAUCHE - POMPE ENVELOPPE | 1 | AUX316205 | ■ | ● |
| 596C* | ◆ | TRANSMISSION COMPLETE AVEC BMS - ATEX DROITE | 1 | AUX316198 | ■ | ● |
| 596C* | ◆ | TRANSMISSION COMPLETE AVEC BMS - ATEX DROITE - POMPE ENVELOPPE | 1 | AUX316206 | ■ | ● |
| 596C* | ◆ | TRANSMISSION COMPLETE AVEC BMS - DROITE | 1 | AUX316196 | ■ | ● |
| 596C* | ◆ | TRANSMISSION COMPLETE AVEC BMS - DROITE - POMPE ENVELOPPE | 1 | AUX316204 | ■ | ● |

* En regardant la pompe côté arbre d'entraînement

SLC4 i HT

* 1, 2, 4... : Quantité dans le matériel - (1), (2), (4)... : Quantité dans le kit

| Repère | Vendable | Description | Qté* | Ref. | Kit maintenance | Pièce usure |
|--------|----------|--|------|-----------|-----------------|-------------|
| 8 | ◆ | ENSEMBLE BOUCHONS SL4_8 HT | 1 | AUX318524 | | |
| 714 | | MANCHON | (1) | | | |
| 715 | ◆ | RENIFLARD | 1 | AUX220281 | | ● |
| 724 | | RONDELLE ETANCHE | (1) | | | |
| 751 | | BOUCHON | (1) | | | |
| 772 | | BOUCHON | (1) | | | |
| 773 | | BOUCHON | (1) | | | |
| 774 | | JOINT | (1) | | | ● |
| 9 | ◆ | JOINTS _ BAGUE PALIER _ CIRCLIPS | 1 | AUX316243 | | |
| 507 | | BAGUE | (1) | | | ● |
| 516 | | CIRCLIPS | (1) | | | |
| 518 | | JOINT | (1) | | | ● |
| 608 | | JOINT A LEVRE | (1) | | | ● |
| 608A | | JOINT A LEVRE | (1) | | | ● |
| 610 | | CIRCLIPS | (1) | | | |
| 733 | | JOINT TORIQUE | (1) | | | ● |
| 16A | ◆ | VISSERIE POUR SOUFFLET SL 4_8 | 1 | AUX316250 | | |
| 529 | | VIS | (4) | | | |
| 723 | | GOUPILLE | (1) | | | |
| 17A | ◆ | ENSEMBLE SOUFFLET SL 4_8 HT SANS BMS | 1 | AUX318529 | | |
| 100 | ◆ | TUBULURE BRIDES PN16 PN20 SLC 4_8 - STANDARD | 1 | AUX316258 | | |
| 101B | | TUBULURE | (1) | | | |
| 118 | | GOUPILLE | (1) | | | |
| 100 | ◆ | TUBULURE BRIDES PN16 PN20 SLC 4_8 - ENVELOPPE | 1 | AUX316225 | | |
| 100 | ◆ | TUBULURE BRIDES PN16 PN20 SLC 4_8 - ASPIRATION ORIENTABLE | 1 | AUX317621 | | |
| 101B | | TUBULURE | (1) | | | |
| 104 | | BRIDE DE TUBULURE | (1) | | | |
| 108 | | PATTE | (1) | | | |
| 109 | | VIS | (2) | | | |
| 117 | | GOUPILLE | (1) | | | |
| 118 | | GOUPILLE | (1) | | | |
| 124 | | BOUCHON (VERSION ENVELOPPE) | (2) | | | |
| 119 | ◆ | VISSERIE SLC 4 - POMPE STANDARD | 1 | AUX316256 | | |
| 105 | | GOUJON | (4) | | | |
| 106 | | ECROU | (4) | | | |
| 107 | | GOUJON | (4) | | | |
| 115 | | ECROU | (4) | | | |
| 123 | | RONDELLE | (4) | | | |
| 406 | | RONDELLE | (4) | | | |
| 119 | ◆ | VISSERIE SLS 4 SLC 4 - POMPE ENVELOPPE_ASPIRATION ORIENTABLE | 1 | AUX316254 | | |
| 106 | | ECROU | (4) | | | |
| 107 | | GOUJON | (4) | | | |
| 111 | | GOUJON | (4) | | | |
| 115 | | ECROU | (4) | | | |
| 123 | | RONDELLE | (4) | | | |
| 406 | | RONDELLE | (4) | | | |
| 200 | ◆ | ENSEMBLE CYLINDRE_PISTON SL 4 | 1 | AUX316239 | ■ | |
| 201 | | CYLINDRE | (1) | | | ● |
| 301 | | PISTON | (1) | | | ● |
| 304 | ◆ | VIS DE PISTON | 1 | AUX229316 | | ● |
| 206 | ◆ | JEU DE JOINTS CVT SL 4-8 | 1 | AUX316242 | ■ | |
| 206 | ◆ | JEU DE JOINTS FKM SL 4-8 | 1 | AUX316963 | ■ | |
| 113 | | JOINT | (2) | | | ● |
| 205 | | JOINT | (1) | | | ● |
| 305 | | JOINT | (1) | | | ● |
| 306 | | JOINT | (1) | | | ● |
| 401 | ◆ | FOND SLC 4-8 | 1 | AUX229214 | | |
| 596 | ◆ | TRANSMISSION COMPLETE SL 4-8 HT | 1 | AUX318520 | ■ | ● |
| 596 | ◆ | TRANSMISSION COMPLETE SL 4-8 HT - VERSION ENVELOPPE | 1 | AUX318530 | ■ | ● |

SLC8 i HT

* 1, 2, 4... : Quantité dans le matériel - (1), (2), (4)... : Quantité dans le kit

| Repère | Vendable | Description | Qté* | Ref. | Kit maintenance | Pièce usure |
|--------|----------|--|------|-----------|-----------------|-------------|
| 8 | ◆ | ENSEMBLE BOUCHONS SL4_8 HT | 1 | AUX318524 | | |
| 714 | | MANCHON | (1) | | | |
| 715 | ◆ | RENIFLARD | 1 | AUX220281 | | ● |
| 724 | | RONDELLE ETANCHE | (1) | | | |
| 751 | | BOUCHON | (1) | | | |
| 772 | | BOUCHON | (1) | | | |
| 773 | | BOUCHON | (1) | | | |
| 774 | | JOINT | (1) | | | ● |
| 9 | ◆ | JOINTS_ BAGUE PALIER_CIRCLIPS | 1 | AUX316243 | | |
| 507 | | BAGUE | (1) | | | ● |
| 516 | | CIRCLIPS | (1) | | | |
| 518 | | JOINT | (1) | | | ● |
| 608 | | JOINT A LEVRE | (1) | | | ● |
| 608A | | JOINT A LEVRE | (1) | | | ● |
| 610 | | CIRCLIPS | (1) | | | |
| 733 | | JOINT TORIQUE | (1) | | | ● |
| 16A | ◆ | VISSERIE POUR SOUFFLET SL 4_8 | 1 | AUX316250 | | |
| 529 | | VIS | (4) | | | |
| 723 | | GOUPILLE | (1) | | | |
| 17A | ◆ | ENSEMBLE SOUFFLET SL 4_8 HT SANS BMS | 1 | AUX318529 | | |
| 100 | ◆ | TUBULURE BRIDES PN16 PN20 SLC 4_8 - STANDARD | 1 | AUX316258 | | |
| 101B | | TUBULURE | (1) | | | |
| 118 | | GOUPILLE | (1) | | | |
| 100 | ◆ | TUBULURE BRIDES PN16 PN20 SLC 4_8 - ENVELOPPE | 1 | AUX316225 | | |
| 100 | ◆ | TUBULURE BRIDES PN16 PN20 SLC 4_8 - ASPIRATION ORIENTABLE | 1 | AUX317621 | | |
| 101B | | TUBULURE | (1) | | | |
| 104 | | BRIDE DE TUBULURE | (1) | | | |
| 108 | | PATTE | (1) | | | |
| 109 | | VIS | (2) | | | |
| 117 | | GOUPILLE | (1) | | | |
| 118 | | GOUPILLE | (1) | | | |
| 124 | | BOUCHON (VERSION ENVELOPPE) | (2) | | | |
| 119 | ◆ | VISSERIE SLC 8 - POMPE STANDARD | 1 | AUX316257 | | |
| 105 | | GOUJON | (4) | | | |
| 106 | | ECROU | (4) | | | |
| 107 | | GOUJON | (4) | | | |
| 115 | | ECROU | (4) | | | |
| 123 | | RONDELLE | (4) | | | |
| 406 | | RONDELLE | (4) | | | |
| 119 | ◆ | VISSERIE SLS 8 SLC 8 - POMPE ENVELOPPE_ASPIRATION ORIENTABLE | 1 | AUX316255 | | |
| 106 | | ECROU | (4) | | | |
| 107 | | GOUJON | (4) | | | |
| 111 | | GOUJON | (4) | | | |
| 115 | | ECROU | (4) | | | |
| 123 | | RONDELLE | (4) | | | |
| 406 | | RONDELLE | (4) | | | |
| 200 | ◆ | ENSEMBLE CYLINDRE_PISTON SL 8 | 1 | AUX316240 | ■ | |
| 201 | | CYLINDRE | (1) | | | ● |
| 301 | | PISTON | (1) | | | ● |
| 304 | ◆ | VIS DE PISTON | 1 | AUX229316 | | ● |
| 206 | ◆ | JEU DE JOINTS CVT SL 4-8 | 1 | AUX316242 | ■ | |
| 206 | ◆ | JEU DE JOINTS FKM SL 4-8 | 1 | AUX316963 | ■ | |
| 113 | | JOINT | (2) | | | ● |
| 205 | | JOINT | (1) | | | ● |
| 305 | | JOINT | (1) | | | ● |
| 306 | | JOINT | (1) | | | ● |
| 401 | ◆ | FOND SLC 4-8 | 1 | AUX229214 | | |
| 596 | ◆ | TRANSMISSION COMPLETE SL 4-8 HT | 1 | AUX318520 | ■ | ● |
| 596 | ◆ | TRANSMISSION COMPLETE SL 4-8 HT - VERSION ENVELOPPE | 1 | AUX318530 | ■ | ● |