



P.L. : 1004-C02

Effective  
Replaces

May 2020  
April 2018

**PARTS LIST**  
**PUMPS**  
**SLC12 i HT - SLC18 i HT**

Keep this parts lists with Installation, Operation and Maintenance Instructions.

To order the required spare parts, indicate the desired Reference(s).

- ◆ Sets of parts or parts available to order.

CVT : FEP encapsulated FKM

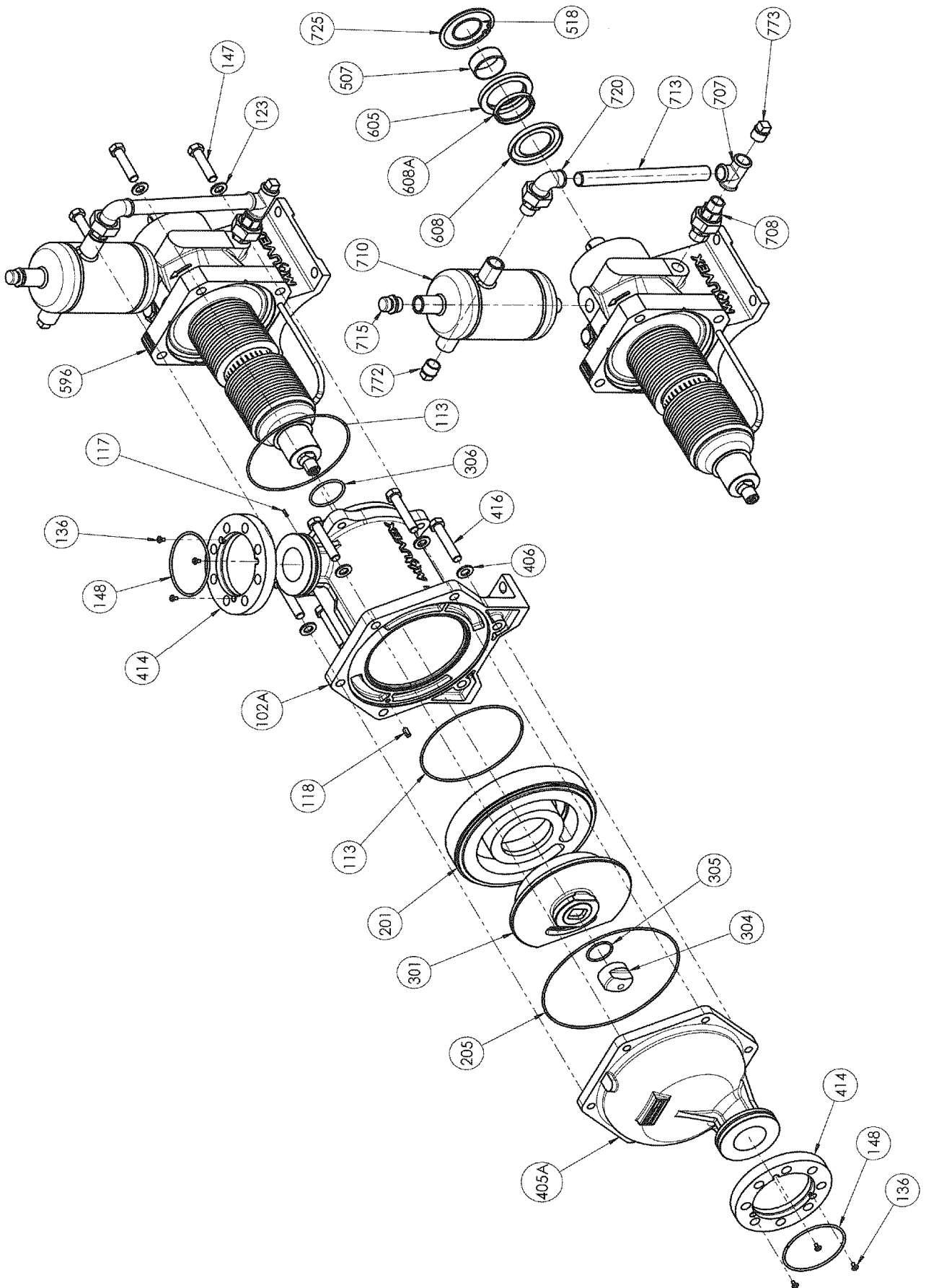
Z.I. la Plaine des Isles - 2 rue des Caillottes F-89000 AUXERRE - France

Tel : +33 (0)3 86 49 86 30 • Fax : +33 (0)3 86 49 87 17

contact.mouvex@psgdover.com • www.mouvex.com

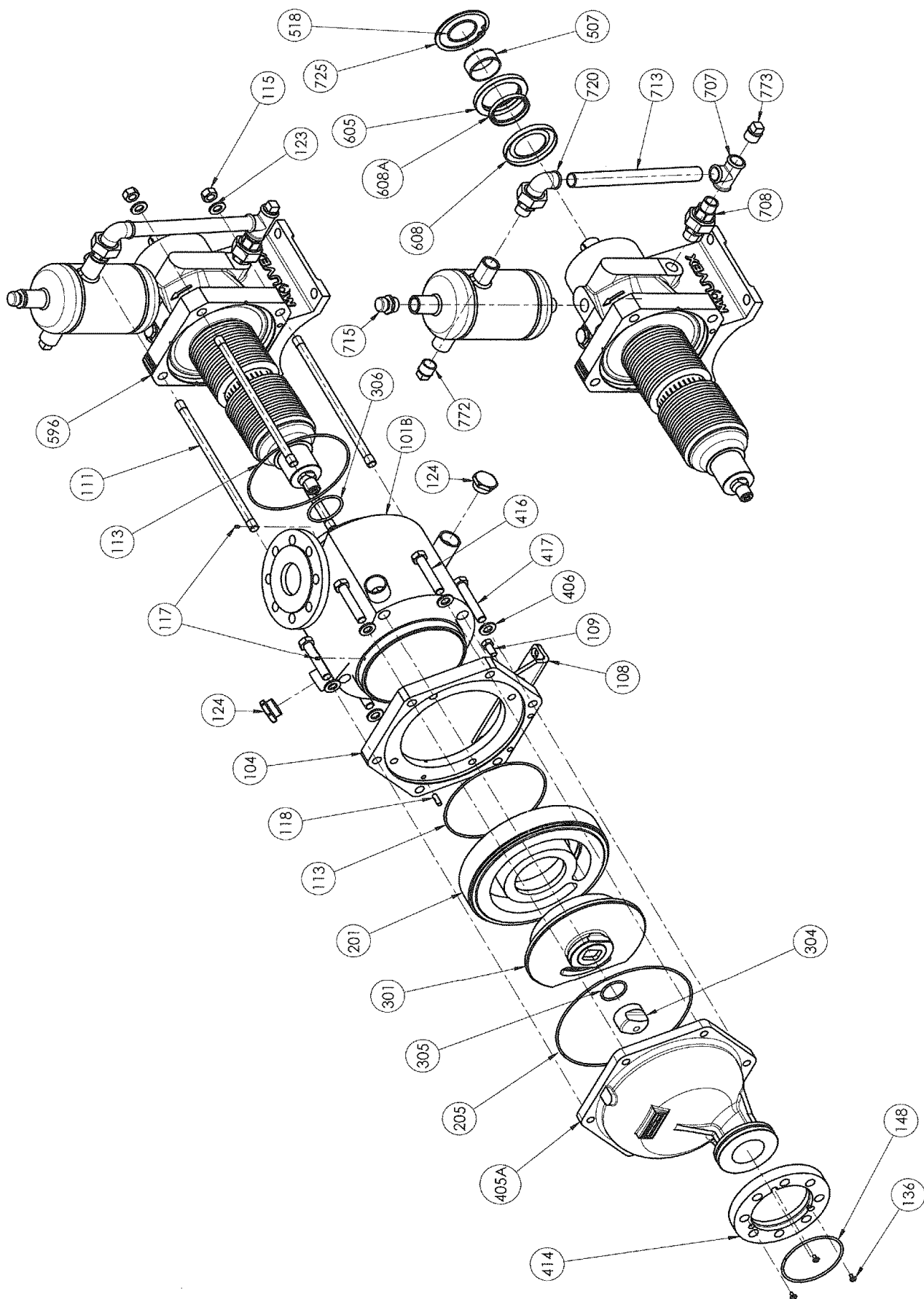
# SLC12 i HT - SLC18 i HT

## Standard pump



# SLC12 i HT - SLC18 i HT

## Jacketed pump



## SLC12 i HT

\* 1, 2, 4... : Quantity in equipment - (1), (2), (4)... : Quantity in kit

Item	Available	Description	Qty*	Ref.	Maintenance kit	Wear part
<b>7</b>	◆	<b>CONNECTION HT</b>	<b>1</b>	<b>AUX312857</b>		
707		T JUNCTION	(1)			
708		CONNECTOR	(1)			
713		NIPPLE	(1)			
720		ELBOW	(1)			
<b>8</b>	◆	<b>PLUGS + BREATHER</b>	<b>1</b>	<b>AUX314260</b>		
715	◆	SNIFTER VALVE	1	AUX220281		●
772		PLUG	(1)			
773		PLUG	(1)			
905		PLUG	(2)			
<b>9</b>	◆	<b>BEARING GASKETS _ RING SET</b>	<b>1</b>	<b>AUX312855</b>		
507		SEAL RING	(1)			●
518		O-RING	(1)			●
605		RING	(1)			●
608		LIP SEAL	(1)			●
608A		LIP SEAL	(1)			●
725		CIRCLIPS	(1)			
<b>100B</b>	◆	<b>INLET MANIFOLD WITHOUT FLANGE SLC 12_18 - STANDARD</b>	<b>1</b>	<b>AUX317096</b>		
102A		MAIN BODY	(1)			
117		PIN	(1)			
118		PIN	(1)			
<b>100B</b>	◆	<b>INLET MANIFOLD WITHOUT FLANGE SLC 12_18 - JACKET</b>	<b>1</b>	<b>AUX317687</b>		
101B		MAIN BODY	(1)			
104		MAIN BODY FLANGE	(1)			
108		SUPPORT FOOT	(1)			
109		SCREW	(2)			
117		PIN	(2)			
118		PIN	(1)			
124		PLUG	(2)			
<b>410</b>	◆	<b>KIT FLANGES MAIN BODY_FRONT COVER PN16 SLC 12_18</b>	<b>1</b>	<b>AUX317101</b>		
<b>410</b>	◆	<b>KIT FLANGES MAIN BODY_FRONT COVER PN20 SLC 12_18</b>	<b>1</b>	<b>AUX317102</b>		
136		SCREW	(6)			
148		ROD	(2)			
414		FLANGE	(2)			
<b>119</b>	◆	<b>SCREWS SET SLC 12 - STANDARD PUMP</b>	<b>1</b>	<b>AUX317097</b>		
123		WASHER	(4)			
147		SCREW	(4)			
406		WASHER	(6)			
416		SCREW	(6)			
<b>119</b>	◆	<b>SCREWS SET SLC 12 - JACKETED PUMP</b>	<b>1</b>	<b>AUX317103</b>		
111		STUD	(4)			
115		NUT	(4)			
123		WASHER	(4)			
406		WASHER	(6)			
416		SCREW	(4)			
417		SCREW	(2)			
<b>200</b>	◆	<b>SET CYLINDER_PISTON</b>	<b>1</b>	<b>AUX312865</b>	■	
201		CYLINDER	(1)			●
301		PISTON	(1)			●
304	◆	PISTON NUT	1	AUX218053		●
<b>206</b>	◆	<b>SET OF CVT 'O' RING SEALS</b>	<b>1</b>	<b>AUX317100</b>	■	
<b>206</b>	◆	<b>SET OF FKM 'O' RING SEALS</b>	<b>1</b>	<b>AUX317099</b>	■	
113		SEAL	(2)			●
205		SEAL RING	(1)			●
305		SEAL	(1)			●
306		SEAL	(1)			●

## SLC12 i HT

\* 1, 2, 4... : Quantity in equipment - (1), (2), (4)... : Quantity in kit

Item	Available	Description	Qty*	Ref.	Maintenance kit	Wear part
405A	◆	FRONT COVER SLC 12_18	1	AUX230216		
596	◆	COMPLETE TRANSMISSION WITH CONTAINER - JACKETED VERSION	1	AUX313861	■	●
596	◆	COMPLETE TRANSMISSION WITH CONTAINER	1	AUX313860	■	●
596A	◆	COMPLETE TRANSMISSION WITHOUT CONTAINER - JACKETED VERSION	1	AUX314205	■	●
596A	◆	COMPLETE TRANSMISSION WITHOUT CONTAINER	1	AUX314206	■	●
710	◆	BEARING OIL RESERVIOR	1	AUX312856		

## SLC18 i HT

\* 1, 2, 4... : Quantity in equipment - (1), (2), (4)... : Quantity in kit

Item	Available	Description	Qty*	Ref.	Maintenance kit	Wear part
<b>7</b>	◆	<b>CONNECTION HT</b>	<b>1</b>	<b>AUX312857</b>		
707		T JUNCTION	(1)			
708		CONNECTOR	(1)			
713		NIPPLE	(1)			
720		ELBOW	(1)			
<b>8</b>	◆	<b>PLUGS + BREATHER</b>	<b>1</b>	<b>AUX314260</b>		
715	◆	SNIFTER VALVE	1	AUX220281		●
772		PLUG	(1)			
773		PLUG	(1)			
905		PLUG	(2)			
<b>9</b>	◆	<b>BEARING GASKETS _ RING SET</b>	<b>1</b>	<b>AUX312855</b>		
507		SEAL RING	(1)			●
518		O-RING	(1)			●
605		RING	(1)			●
608		LIP SEAL	(1)			●
608A		LIP SEAL	(1)			●
725		CIRCLIPS	(1)			
<b>100B</b>	◆	<b>INLET MANIFOLD WITHOUT FLANGE SLC 12_18 - STANDARD</b>	<b>1</b>	<b>AUX317096</b>		
102A		MAIN BODY	(1)			
117		PIN	(1)			
118		PIN	(1)			
<b>100B</b>	◆	<b>INLET MANIFOLD WITHOUT FLANGE SLC 12_18 - JACKET</b>	<b>1</b>	<b>AUX317687</b>		
101B		MAIN BODY	(1)			
104		MAIN BODY FLANGE	(1)			
108		SUPPORT FOOT	(1)			
109		SCREW	(2)			
117		PIN	(2)			
118		PIN	(1)			
124		PLUG	(2)			
<b>410</b>	◆	<b>KIT FLANGES MAIN BODY_FRONT COVER PN16 SLC 12_18</b>	<b>1</b>	<b>AUX317101</b>		
<b>410</b>	◆	<b>KIT FLANGES MAIN BODY_FRONT COVER PN20 SLC 12_18</b>	<b>1</b>	<b>AUX317102</b>		
136		SCREW	(6)			
148		ROD	(2)			
414		FLANGE	(2)			
<b>119</b>	◆	<b>SCREWS SET SLC 18 - STANDARD PUMP</b>	<b>1</b>	<b>AUX317098</b>		
123		WASHER	(4)			
147		SCREW	(4)			
406		WASHER	(6)			
416		SCREW	(6)			
<b>119</b>	◆	<b>SCREWS SET SLC 18 - JACKETED PUMP</b>	<b>1</b>	<b>AUX317104</b>		
111		STUD	(4)			
115		NUT	(4)			
123		WASHER	(4)			
406		WASHER	(6)			
416		SCREW	(4)			
417		SCREW	(2)			
<b>200</b>	◆	<b>SET CYLINDER_PISTON</b>	<b>1</b>	<b>AUX312867</b>	■	
201		CYLINDER	(1)			●
301		PISTON	(1)			●
304	◆	PISTON NUT	1	AUX218397		●
<b>206</b>	◆	<b>SET OF CVT 'O' RING SEALS</b>	<b>1</b>	<b>AUX317100</b>	■	
<b>206</b>	◆	<b>SET OF FKM 'O' RING SEALS</b>	<b>1</b>	<b>AUX317099</b>	■	
113		SEAL	(2)			●
205		SEAL RING	(1)			●
305		SEAL	(1)			●
306		SEAL	(1)			●

## SLC18 i HT

\* 1, 2 ,4... : Quantity in equipment - (1), (2), (4)... : Quantity in kit

Item	Available	Description	Qty*	Ref.	Maintenance kit	Wear part
405A	◆	FRONT COVER SLC 12_18	1	AUX230216		
596	◆	COMPLETE TRANSMISSION WITH CONTAINER - JACKETED VERSION	1	AUX313861	■	●
596	◆	COMPLETE TRANSMISSION WITH CONTAINER	1	AUX313860	■	●
596A	◆	COMPLETE TRANSMISSION WITHOUT CONTAINER - JACKETED VERSION	1	AUX314205	■	●
596A	◆	COMPLETE TRANSMISSION WITHOUT CONTAINER	1	AUX314206	■	●
710	◆	BEARING OIL RESERVIOR	1	AUX312856		