

PARTS LIST
PUMPS
SLS1 i - SLS2 i - SLS3 i

Keep this parts lists with Installation, Operation and Maintenance Instructions.

To order the required spare parts, indicate the desired Reference(s).

- ◆ Sets of parts or parts available to order.

BMS : Bellows monitoring system

C1 / C2 interchangeable main body or front cover : Consult us.

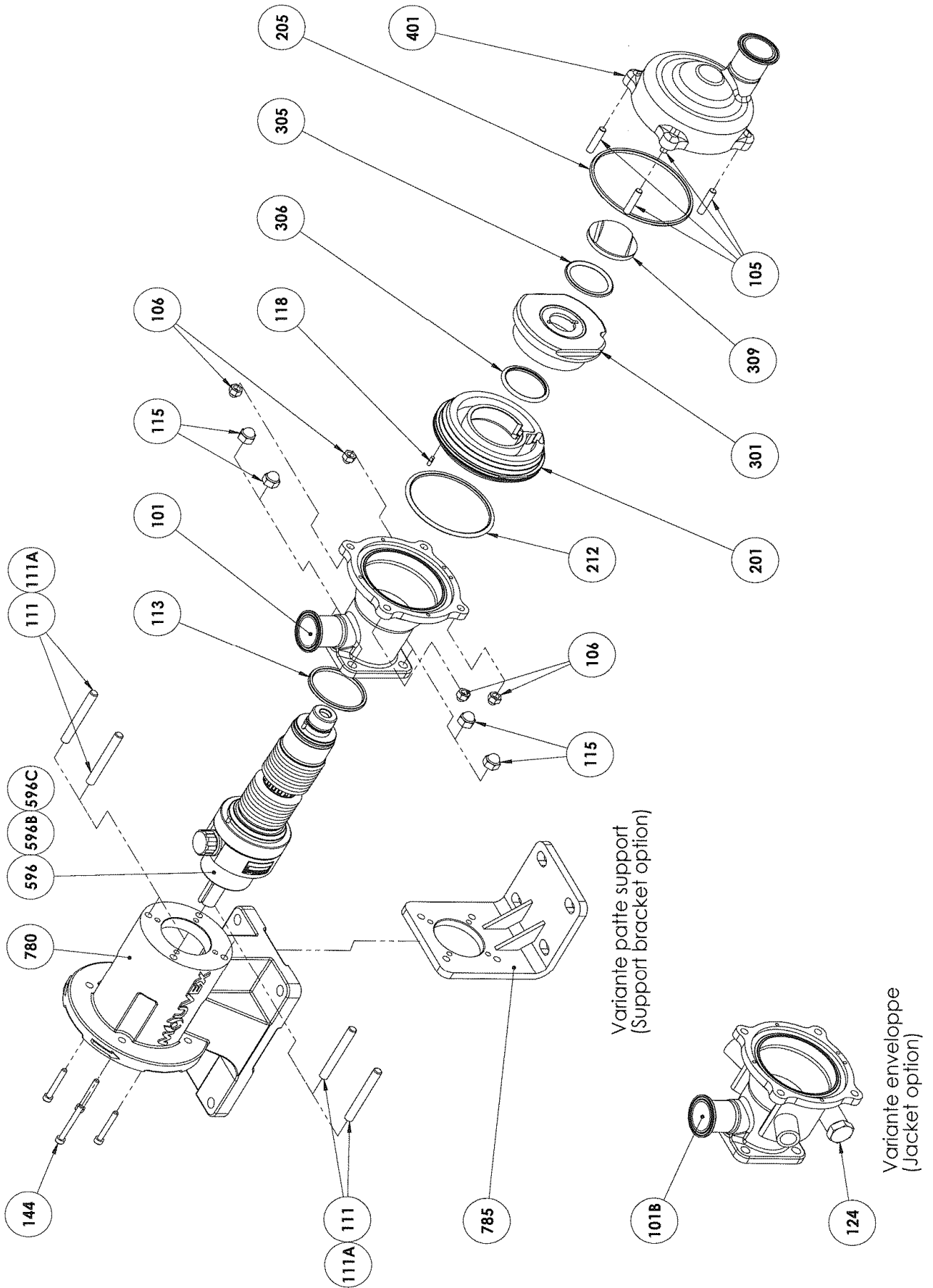
CVT : FEP encapsulated FKM

Z.I. la Plaine des Isles - 2 rue des Caillottes F-89000 AUXERRE - France

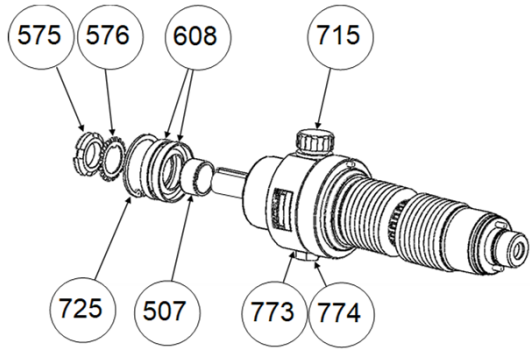
Tel : +33 (0)3 86 49 86 30 • Fax : +33 (0)3 86 49 87 17

contact.mouvex@psgdover.com • www.mouvex.com

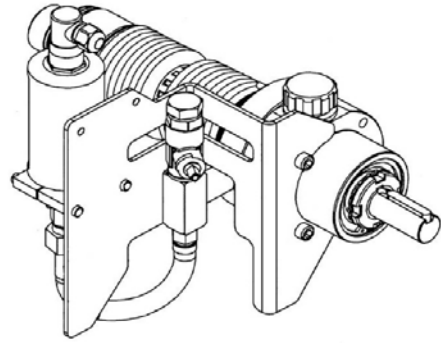
SLS1 i - SLS2 i - SLS3 i



PUMP WITH COMPLETE TRANSMISSION

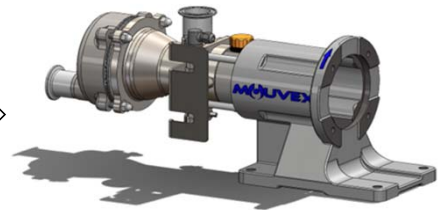
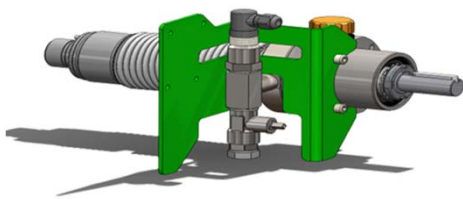


Transmission with ATEX pressure switch BMS

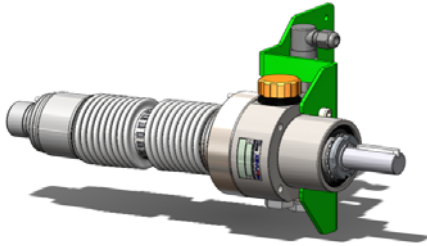


Complete transmission

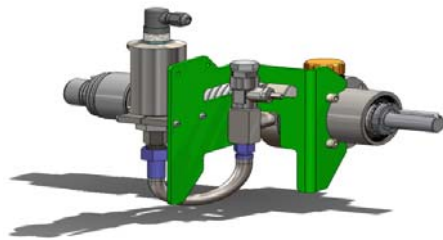
Transmission with BMS pressure switch except pump with suction port in position 1



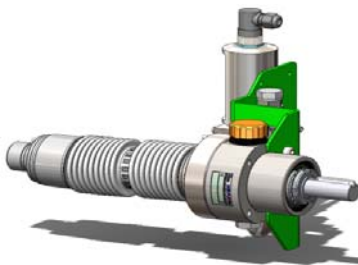
Transmission with BMS pressure switch for pump with suction port in position 1



Transmission with BMS pressure switch except pump with suction port in position 1 - ATEX



Transmission with BMS pressure switch for pump with suction port in position 1 - ATEX



SLS1 i

* 1, 2, 4... : Quantity in equipment - (1), (2), (4)... : Quantity in kit

Item	Available	Description	Qty*	Ref.	Maintenance kit	Wear part
8	◆	PLUGS + BREATHER	1	AUX311441		
715	◆	BREATHER	1	AUX211144		●
773		PLUG	(1)			
774		SEAL	(1)			●
9	◆	BEARING GASKETS _ SCREWS SET	1	AUX315025		
507		RING	(1)			●
575		NUT	(1)			
576		WASHER	(1)			
608		LIP SEAL	(2)			●
725		CIRCLIPS	(1)			
24	◆	BENDE BRACKET SCREWS SET	1	AUX315286		
24	◆	TRUNK SCREWS SET	1	AUX315026		
144		SCREW	(4)			
25	◆	BENDE BRACKET KIT _SCREWS SL1 SL2 SL3	1	AUX315618		
144		SCREW	(4)			
785		BENDE BRACKET	(1)			
100	◆	JACKETED INLET MANIFOLD FLANGE ASEPTIK DIN 11864-BF-A DN40	1	AUX314926		
100	◆	JACKETED INLET MANIFOLD CONNECTION CLAMP ASME BPE 38	1	AUX318582		
100	◆	JACKETED INLET MANIFOLD CONNECTION CLAMP ISO 38	1	AUX314920		
100	◆	JACKETED INLET MANIFOLD CONNECTION DIN 40	1	AUX314918		
100	◆	JACKETED INLET MANIFOLD CONNECTION SMS 38	1	AUX314923		
101B		JACKETED INLET MANIFOLD	(1)			
124		PLUG	(2)			
101	◆	NOT POLISHED INLET MANIFOLD CONNECTION CLAMP ASME BPE 38	1	AUX318583		
101	◆	POLISHED INLET MANIFOLD CONNECTION CLAMP ASME BPE 38	1	AUX318587		
101	◆	NOT POLISHED INLET MANIFOLD CONNECTION CLAMP ISO 38	1	AUX314852		
101	◆	NOT POLISHED INLET MANIFOLD FLANGE ASEPTIK DIN 11864-BF-A DN40	1	AUX314864		
101	◆	POLISHED INLET MANIFOLD CONNECTION CLAMP ISO 38	1	AUX314853		
101	◆	POLISHED INLET MANIFOLD FLANGE ASEPTIK DIN 11864-BF-A DN40	1	AUX314865		
101	◆	NOT POLISHED INLET MANIFOLD CONNECTION DIN 40	1	AUX314848		
101	◆	POLISHED INLET MANIFOLD CONNECTION DIN 40	1	AUX314849		
101	◆	POLISHED INLET MANIFOLD WITH CONNECTION SMS 38	1	AUX314859		
101	◆	NOT POLISHED INLET MANIFOLD CONNECTION SMS 38	1	AUX314858		
119	◆	SET OF STUDS AND NUTS	1	AUX314798		
105		STUD	(4)			
106		BLIND NUT	(4)			
111		STUD	(4)			
115		BLIND NUT	(4)			
119	◆	SET OF STUDS AND NUTS - ATEX PRESSURE SWITCH	1	AUX315276		
105		STUD	(4)			
106		BLIND NUT	(4)			
111		STUD	(2)			
111A		STUD	(2)			
115		BLIND NUT	(4)			
200	◆	SET CYLINDER _PISTON	1	AUX314814	■	
118		PIN	(1)			
201		CYLINDER	(1)			●
301		PISTON	(1)			●
309	◆	PISTON NUT	1	AUX226535		
206	◆	SET OF CVT 'O' RING SEALS	1	AUX314821	■	
206	◆	SET OF FKM 'O' RING SEALS	1	AUX314820	■	
113		SEAL	(1)			●
205		SEAL	(1)			●
212		SEAL	(1)			●
305		SEAL	(1)			●
306		SEAL	(1)			●

SLS1 i

* 1, 2, 4... : Quantity in equipment - (1), (2), (4)... : Quantity in kit

Item	Available	Description	Qty*	Ref.	Maintenance kit	Wear part
401	◆	NOT POLISHED FRONT COVER CONNECTION CLAMP ASME BPE 38	1	AUX318584		
401	◆	POLISHED FRONT COVER CONNECTION CLAMP ASME BPE 38	1	AUX318588		
401	◆	NOT POLISHED FRONT COVER CONNECTION CLAMP ISO 38	1	AUX314874		
401	◆	NOT POLISHED FRONT COVER FLANGE ASEPTIK DIN 11864-BF-A DN40	1	AUX314886		
401	◆	NOT POLISHED FRONT COVER CONNECTION DIN 40	1	AUX314870		
401	◆	POLISHED FRONT COVER CONNECTION CLAMP ISO 38	1	AUX314875		
401	◆	POLISHED FRONT COVER FLANGE ASEPTIK DIN 11864-BF-A DN40	1	AUX314887		
401	◆	POLISHED FRONT COVER CONNECTION DIN 40	1	AUX314871		
401	◆	POLISHED FRONT COVER CONNECTION SMS 38	1	AUX314881		
401	◆	NOT POLISHED FRONT COVER CONNECTION SMS 38	1	AUX314880		
596	◆	COMPLETE TRANSMISSION WITHOUT BELLOWS MONITORING SYSTEM	1	AUX314797	■	●
		COMPLETE TRANSMISSION WITH BMS PRESSURE SWITCH :				
596B	◆	EXCEPT PUM WITH SUCTION PORT IN POSITION 1 - ATEX	1	AUX315275	■	●
596B	◆	EXCEPT PUM WITH SUCTION PORT IN POSITION 1	1	AUX315685	■	●
596C	◆	FOR PUMP WITH SUCTION PORT IN POSITION 1 - ATEX	1	AUX315806	■	●
596C	◆	FOR PUMP WITH SUCTION PORT IN POSITION 1	1	AUX315805	■	●

SLS2 i

* 1, 2, 4... : Quantity in equipment - (1), (2), (4)... : Quantity in kit

Item	Available	Description	Qty*	Ref.	Maintenance kit	Wear part
8	◆	PLUGS + BREATHER	1	AUX311441		
715	◆	BREATHER	1	AUX211144		●
773		PLUG	(1)			
774		SEAL	(1)			●
9	◆	BEARING GASKETS _ SCREWS SET	1	AUX315025		
507		RING	(1)			●
575		NUT	(1)			
576		WASHER	(1)			
608		LIP SEAL	(2)			●
725		CIRCLIPS	(1)			
24	◆	BENDE BRACKET SCREWS SET	1	AUX315286		
24	◆	TRUNK SCREWS SET	1	AUX315026		
144		SCREW	(4)			
25	◆	BENDE BRACKET KIT _SCREWS SL1 SL2 SL3	1	AUX315618		
144		SCREW	(4)			
785		BENDE BRACKET	(1)			
100	◆	JACKETED INLET MANIFOLD FLANGE ASEPTIK DIN 11864-BF-A DN40	1	AUX314926		
100	◆	JACKETED INLET MANIFOLD CONNECTION CLAMP ASME BPE 38	1	AUX318582		
100	◆	JACKETED INLET MANIFOLD CONNECTION CLAMP ISO 38	1	AUX314920		
100	◆	JACKETED INLET MANIFOLD CONNECTION DIN 40	1	AUX314918		
100	◆	JACKETED INLET MANIFOLD CONNECTION SMS 38	1	AUX314923		
101B		JACKETED INLET MANIFOLD	(1)			
124		PLUG	(2)			
101	◆	NOT POLISHED INLET MANIFOLD CONNECTION CLAMP ASME BPE 38	1	AUX318583		
101	◆	POLISHED INLET MANIFOLD CONNECTION CLAMP ASME BPE 38	1	AUX318587		
101	◆	NOT POLISHED INLET MANIFOLD CONNECTION CLAMP ISO 38	1	AUX314852		
101	◆	NOT POLISHED INLET MANIFOLD FLANGE ASEPTIK DIN 11864-BF-A DN40	1	AUX314864		
101	◆	POLISHED INLET MANIFOLD CONNECTION CLAMP ISO 38	1	AUX314853		
101	◆	POLISHED INLET MANIFOLD FLANGE ASEPTIK DIN 11864-BF-A DN40	1	AUX314865		
101	◆	NOT POLISHED INLET MANIFOLD CONNECTION DIN 40	1	AUX314848		
101	◆	POLISHED INLET MANIFOLD CONNECTION DIN 40	1	AUX314849		
101	◆	POLISHED INLET MANIFOLD WITH CONNECTION SMS 38	1	AUX314859		
101	◆	NOT POLISHED INLET MANIFOLD CONNECTION SMS 38	1	AUX314858		
119	◆	SET OF STUDS AND NUTS	1	AUX314798		
105		STUD	(4)			
106		BLIND NUT	(4)			
111		STUD	(4)			
115		BLIND NUT	(4)			
119	◆	SET OF STUDS AND NUTS - ATEX PRESSURE SWITCH	1	AUX315276		
105		STUD	(4)			
106		BLIND NUT	(4)			
111		STUD	(2)			
111A		STUD	(2)			
115		BLIND NUT	(4)			
200	◆	SET CYLINDER _PISTON	1	AUX314815	■	
118		PIN	(1)			
201		CYLINDER	(1)			●
301		PISTON	(1)			●
309	◆	PISTON NUT	1	AUX226535		
206	◆	SET OF CVT 'O' RING SEALS	1	AUX314821	■	
206	◆	SET OF FKM 'O' RING SEALS	1	AUX314820	■	
113		SEAL	(1)			●
205		SEAL	(1)			●
212		SEAL	(1)			●
305		SEAL	(1)			●
306		SEAL	(1)			●

SLS2 i

* 1, 2, 4... : Quantity in equipment - (1), (2), (4)... : Quantity in kit

Item	Available	Description	Qty*	Ref.	Maintenance kit	Wear part
401	◆	NOT POLISHED FRONT COVER CONNECTION CLAMP ASME BPE 38	1	AUX318584		
401	◆	POLISHED FRONT COVER CONNECTION CLAMP ASME BPE 38	1	AUX318588		
401	◆	NOT POLISHED FRONT COVER CONNECTION CLAMP ISO 38	1	AUX314874		
401	◆	NOT POLISHED FRONT COVER FLANGE ASEPTIK DIN 11864-BF-A DN40	1	AUX314886		
401	◆	NOT POLISHED FRONT COVER CONNECTION DIN 40	1	AUX314870		
401	◆	POLISHED FRONT COVER CONNECTION CLAMP ISO 38	1	AUX314875		
401	◆	POLISHED FRONT COVER FLANGE ASEPTIK DIN 11864-BF-A DN40	1	AUX314887		
401	◆	POLISHED FRONT COVER CONNECTION DIN 40	1	AUX314871		
401	◆	POLISHED FRONT COVER CONNECTION SMS 38	1	AUX314881		
401	◆	NOT POLISHED FRONT COVER CONNECTION SMS 38	1	AUX314880		
596	◆	COMPLETE TRANSMISSION WITHOUT BELLOWS MONITORING SYSTEM	1	AUX314797	■	●
		COMPLETE TRANSMISSION WITH BMS PRESSURE SWITCH :				
596B	◆	EXCEPT PUM WITH SUCTION PORT IN POSITION 1 - ATEX	1	AUX315275	■	●
596B	◆	EXCEPT PUM WITH SUCTION PORT IN POSITION 1	1	AUX315685	■	●
596C	◆	FOR PUMP WITH SUCTION PORT IN POSITION 1 - ATEX	1	AUX315806	■	●
596C	◆	FOR PUMP WITH SUCTION PORT IN POSITION 1	1	AUX315805	■	●

SLS3 i

* 1, 2, 4... : Quantity in equipment - (1), (2), (4)... : Quantity in kit

Item	Available	Description	Qty*	Ref.	Maintenance kit	Wear part
8	◆	PLUGS + BREATHER	1	AUX311441		
715	◆	BREATHER	1	AUX211144		●
773		PLUG	(1)			
774		SEAL	(1)			●
9	◆	BEARING GASKETS _ SCREWS SET	1	AUX315025		
507		RING	(1)			●
575		NUT	(1)			
576		WASHER	(1)			
608		LIP SEAL	(2)			●
725		CIRCLIPS	(1)			
24	◆	BENDE BRACKET SCREWS SET	1	AUX315286		
24	◆	TRUNK SCREWS SET	1	AUX315026		
144		SCREW	(4)			
25	◆	BENDE BRACKET KIT _SCREWS SL1 SL2 SL3	1	AUX315618		
144		SCREW	(4)			
785		BENDE BRACKET	(1)			
100	◆	JACKETED INLET MANIFOLD FLANGE ASEPTIK DIN 11864-BF-A DN40	1	AUX314926		
100	◆	JACKETED INLET MANIFOLD CONNECTION CLAMP ASME BPE 38	1	AUX318582		
100	◆	JACKETED INLET MANIFOLD CONNECTION CLAMP ISO 38	1	AUX314920		
100	◆	JACKETED INLET MANIFOLD CONNECTION DIN 40	1	AUX314918		
100	◆	JACKETED INLET MANIFOLD CONNECTION SMS 38	1	AUX314923		
101B		JACKETED INLET MANIFOLD	(1)			
124		PLUG	(2)			
101	◆	NOT POLISHED INLET MANIFOLD CONNECTION CLAMP ASME BPE 38	1	AUX318583		
101	◆	POLISHED INLET MANIFOLD CONNECTION CLAMP ASME BPE 38	1	AUX318587		
101	◆	NOT POLISHED INLET MANIFOLD CONNECTION CLAMP ISO 38	1	AUX314852		
101	◆	NOT POLISHED INLET MANIFOLD FLANGE ASEPTIK DIN 11864-BF-A DN40	1	AUX314864		
101	◆	POLISHED INLET MANIFOLD CONNECTION CLAMP ISO 38	1	AUX314853		
101	◆	POLISHED INLET MANIFOLD FLANGE ASEPTIK DIN 11864-BF-A DN40	1	AUX314865		
101	◆	NOT POLISHED INLET MANIFOLD CONNECTION DIN 40	1	AUX314848		
101	◆	POLISHED INLET MANIFOLD CONNECTION DIN 40	1	AUX314849		
101	◆	POLISHED INLET MANIFOLD WITH CONNECTION SMS 38	1	AUX314859		
101	◆	NOT POLISHED INLET MANIFOLD CONNECTION SMS 38	1	AUX314858		
119	◆	SET OF STUDS AND NUTS	1	AUX314798		
105		STUD	(4)			
106		BLIND NUT	(4)			
111		STUD	(4)			
115		BLIND NUT	(4)			
119	◆	SET OF STUDS AND NUTS - ATEX PRESSURE SWITCH	1	AUX315276		
105		STUD	(4)			
106		BLIND NUT	(4)			
111		STUD	(2)			
111A		STUD	(2)			
115		BLIND NUT	(4)			
200	◆	SET CYLINDER _PISTON	1	AUX314816	■	
118		PIN	(1)			
201		CYLINDER	(1)			●
301		PISTON	(1)			●
309	◆	PISTON NUT	1	AUX226535		
206	◆	SET OF CVT 'O' RING SEALS	1	AUX314821	■	
206	◆	SET OF FKM 'O' RING SEALS	1	AUX314820	■	
113		SEAL	(1)			●
205		SEAL	(1)			●
212		SEAL	(1)			●
305		SEAL	(1)			●
306		SEAL	(1)			●

SLS3 i

* 1, 2, 4... : Quantity in equipment - (1), (2), (4)... : Quantity in kit

Item	Available	Description	Qty*	Ref.	Maintenance kit	Wear part
401	◆	NOT POLISHED FRONT COVER CONNECTION CLAMP ASME BPE 38	1	AUX318584		
401	◆	POLISHED FRONT COVER CONNECTION CLAMP ASME BPE 38	1	AUX318588		
401	◆	NOT POLISHED FRONT COVER CONNECTION CLAMP ISO 38	1	AUX314874		
401	◆	NOT POLISHED FRONT COVER FLANGE ASEPTIK DIN 11864-BF-A DN40	1	AUX314886		
401	◆	NOT POLISHED FRONT COVER CONNECTION DIN 40	1	AUX314870		
401	◆	POLISHED FRONT COVER CONNECTION CLAMP ISO 38	1	AUX314875		
401	◆	POLISHED FRONT COVER FLANGE ASEPTIK DIN 11864-BF-A DN40	1	AUX314887		
401	◆	POLISHED FRONT COVER CONNECTION DIN 40	1	AUX314871		
401	◆	POLISHED FRONT COVER CONNECTION SMS 38	1	AUX314881		
401	◆	NOT POLISHED FRONT COVER CONNECTION SMS 38	1	AUX314880		
596	◆	COMPLETE TRANSMISSION WITHOUT BELLOWS MONITORING SYSTEM	1	AUX314797	■	●
		COMPLETE TRANSMISSION WITH BMS PRESSURE SWITCH :				
596B	◆	EXCEPT PUM WITH SUCTION PORT IN POSITION 1 - ATEX	1	AUX315275	■	●
596B	◆	EXCEPT PUM WITH SUCTION PORT IN POSITION 1	1	AUX315685	■	●
596C	◆	FOR PUMP WITH SUCTION PORT IN POSITION 1 - ATEX	1	AUX315806	■	●
596C	◆	FOR PUMP WITH SUCTION PORT IN POSITION 1	1	AUX315805	■	●