

PARTS LIST
PUMP
P15 BA - P25 BA

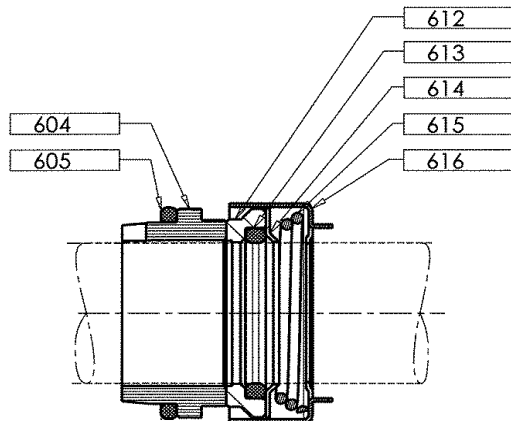
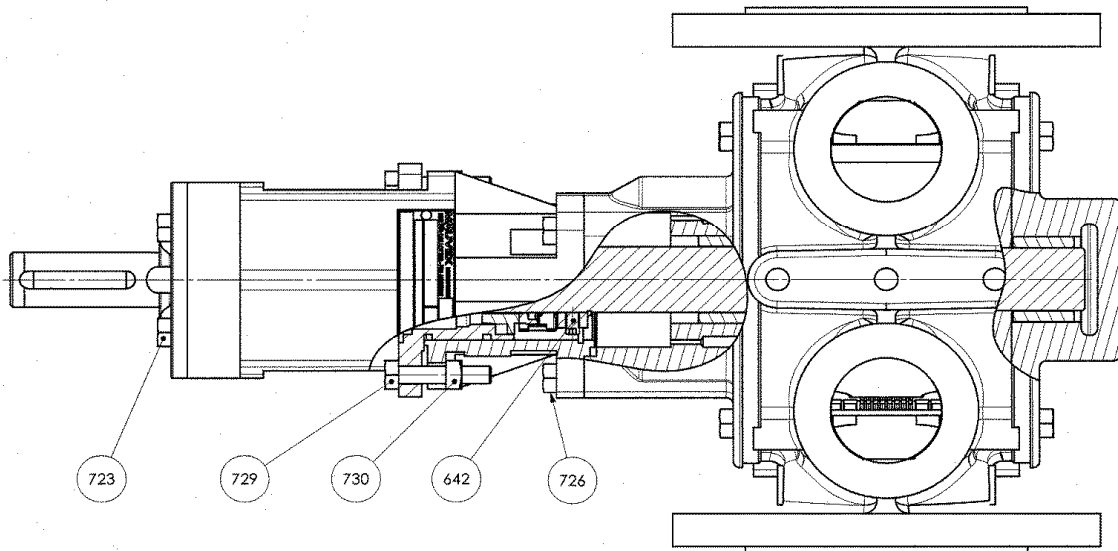
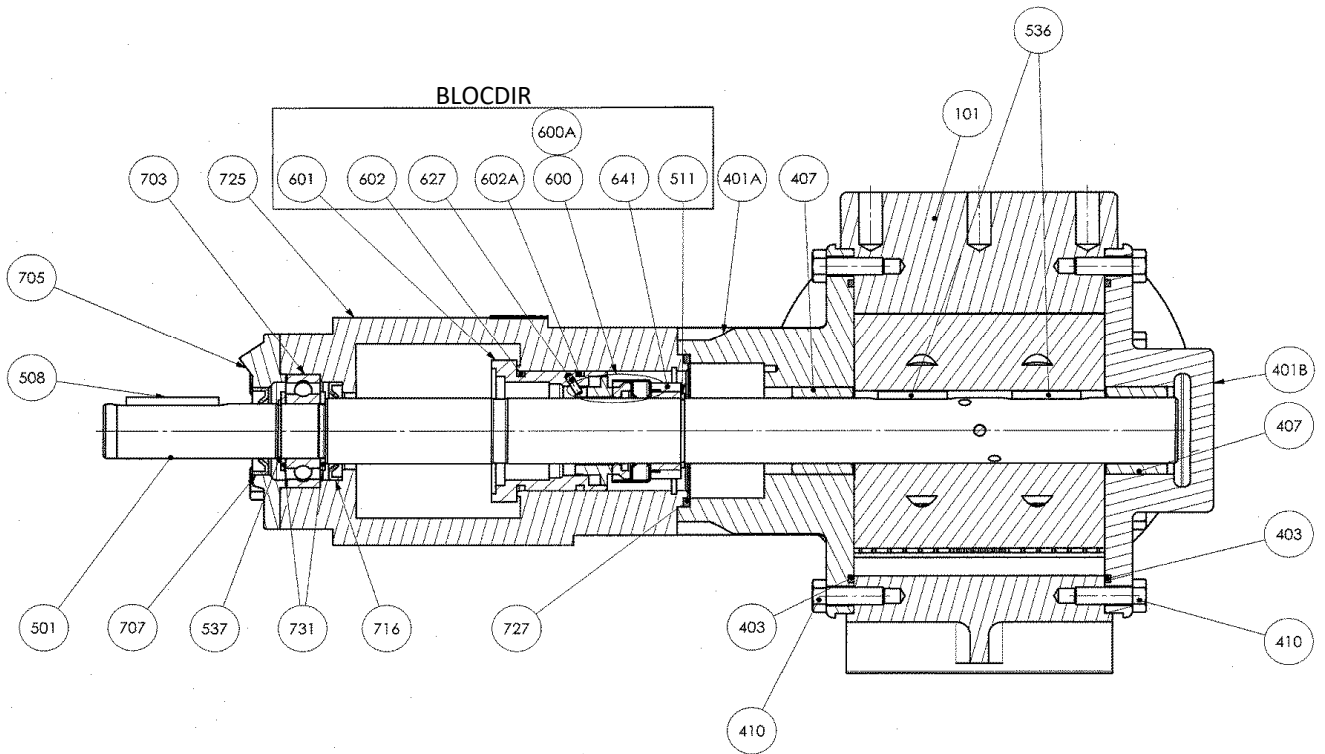
Keep this parts lists with Installation, Operation and Maintenance Instructions.

To order the required spare parts, indicate the desired Reference(s).

- ◆ Sets of parts or parts available to order.

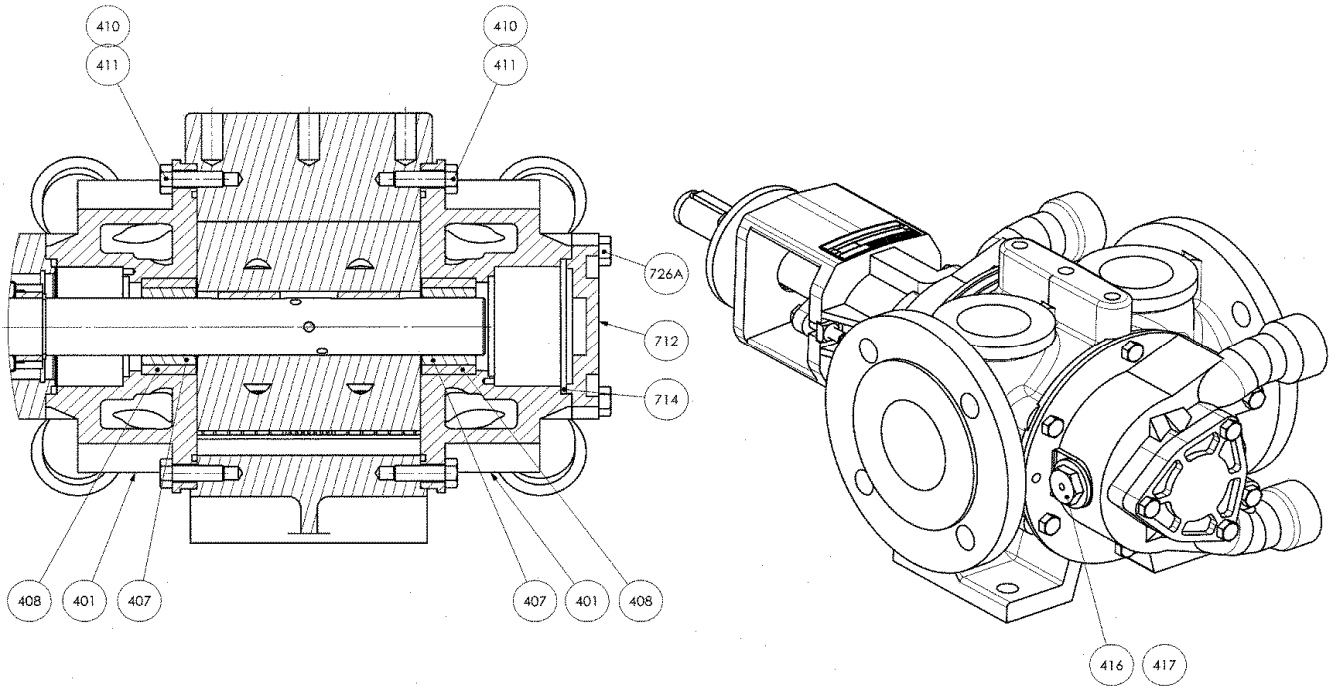
CVT : FEP encapsulated FKM

P15 BA - P25 BA with BLOCDIR mechanical seal

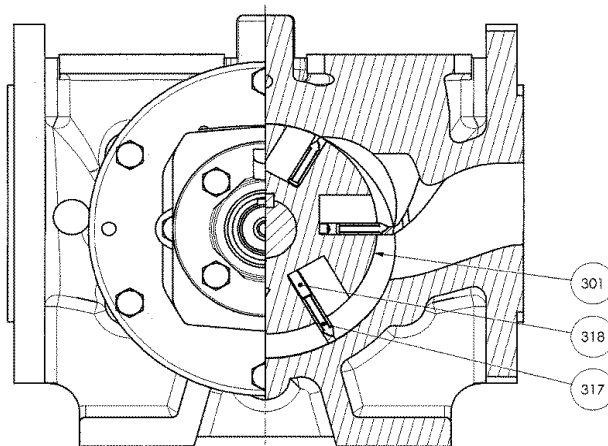


BLOCDIR mechanical seal

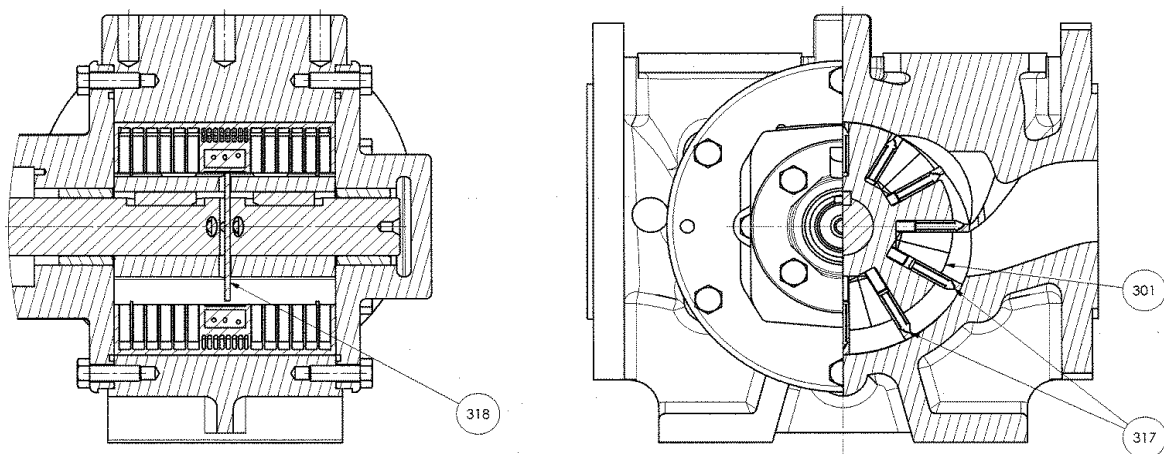
Pump with jacket



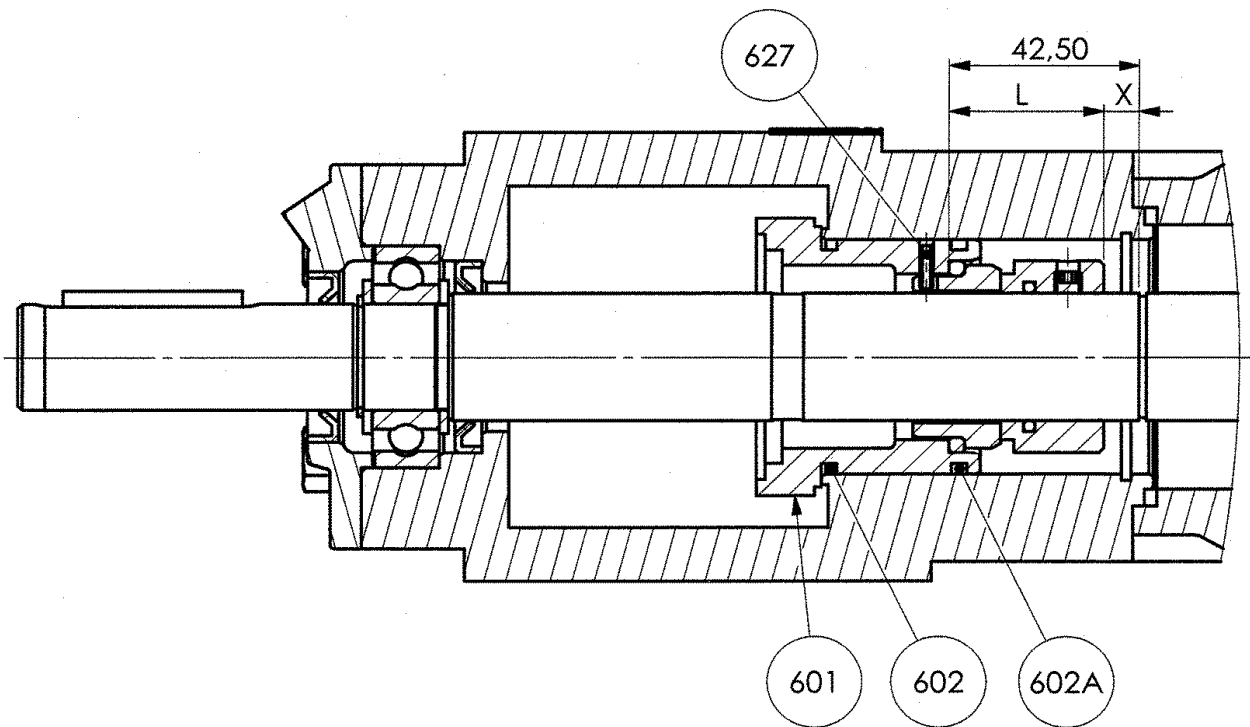
6 vanes rotor



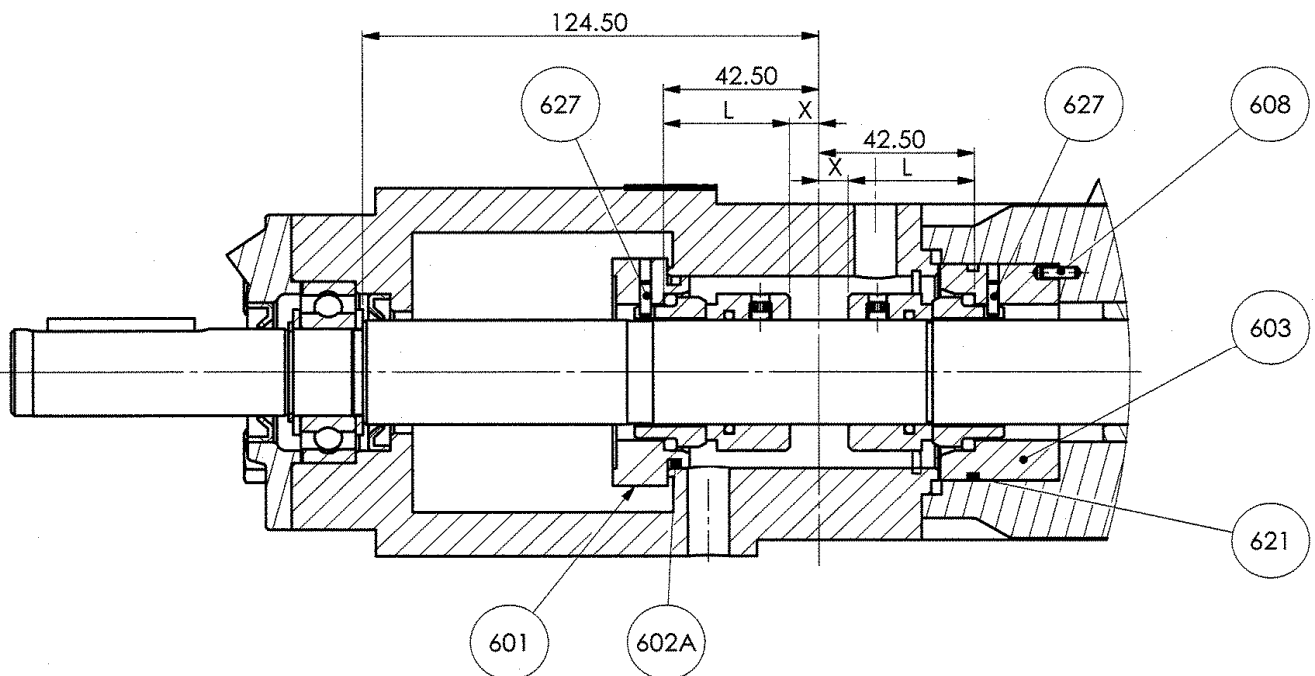
12 vanes rotor



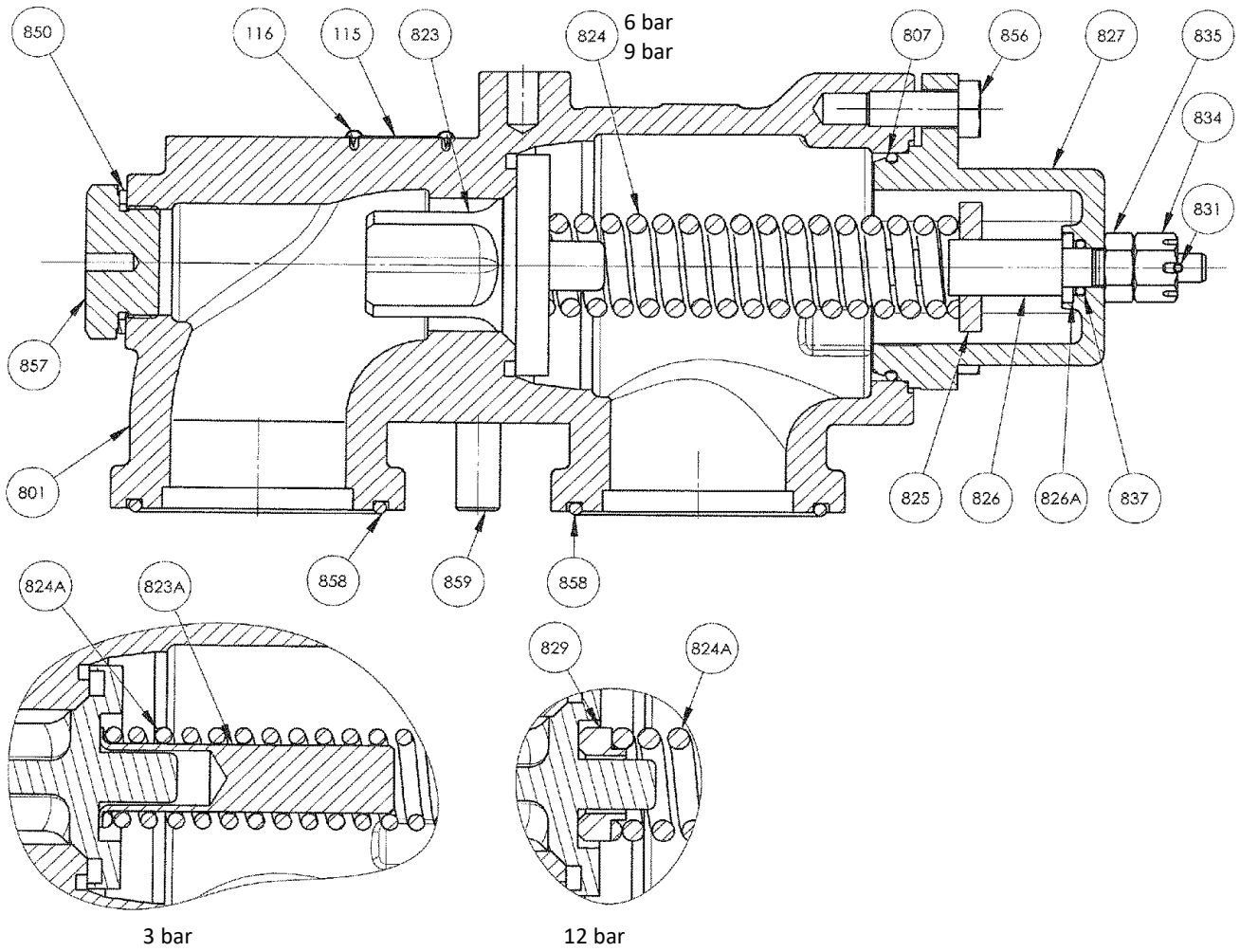
Shaftseal holder - PGSN



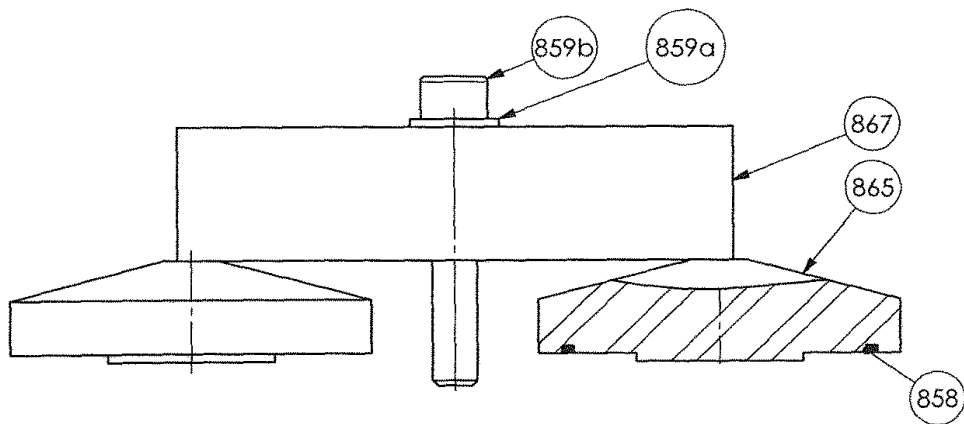
Shaftseal holder - PGDN



Bypass



Stirrup



P15 BA

* 1, 2, 4... : Quantity in equipment - (1), (2), (4)... : Quantity in kit

Item	Available	Description	Qty*	Ref.	Maintenance kit	Wear part
97	◆	PTFE GLAND PACKING KIT - FKM - CVT - FKM HT	1	AUX312484	■	
625		JACKET	(1)			●
626		SEAL	(2)			●
628		SCREW	(3)			
629		PACKING	(5)			●
98	◆	FULL SET OF PUMP SCREWS	1	AUX307392		
410		SCREW	(12)			
642		SCREW	(2)			
723		SCREW	(4)			
726		SCREW	(3)			
729		SCREW	(2)			
729A		SCREW	(2)			
730		NUT	(2)			
98	◆	FULL SET OF JACKETED PUMP SCREWS	1	AUX308791		
410		SCREW	(8)			
411		SCREW	(4)			
642		SCREW	(2)			
723		SCREW	(4)			
726		SCREW	(3)			
726A		SCREW	(3)			
729		SCREW	(2)			
729A		SCREW	(2)			
730		NUT	(2)			
99	◆	SET OF SEALS - STANDARD PUMP - CVT	1	AUX314105	■	
99	◆	SET OF SEALS - STANDARD PUMP - FKM HT	1	AUX314103	■	
99	◆	SET OF SEALS - STANDARD PUMP - FKM	1	AUX314102	■	
403		O-RING	(2)			●
417		SEAL	(2)			
602		O-RING	(1)			●
602A		O-RING	(1)			●
621		SEAL	(1)			
707		LIP SEAL	(1)			●
716		LIP SEAL	(1)			●
727		O-RING	(1)			●
99	◆	SET OF SEALS - JACKETED PUMP - CVT	1	AUX310071	■	
99	◆	SET OF SEALS - JACKETED PUMP - FKM	1	AUX307393	■	
99	◆	SET OF SEALS - JACKETED PUMP - FKM HT	1	AUX307394	■	
403		O-RING	(2)			●
417		SEAL	(2)			
602		O-RING	(1)			●
602A		O-RING	(1)			●
621		SEAL	(1)			
707		LIP SEAL	(1)			●
714		O-RING	(1)			●
716		LIP SEAL	(1)			●
727		O-RING	(1)			●
101	◆	BODY NO CHROMIUM PLATING	1	AUX213425		
301	◆	12 VANES ROTOR	1	AUX211833		
301	◆	6 VANES ROTOR	1	AUX222670		
309	◆	SET OF 12 VANES TVP	1	AUX307738	■	
309	◆	SET OF 6 VANES TVP	1	AUX313458	■	
309	◆	SET OF 6 VANES TVP WITH HOLES	1	AUX313459	■	
309	◆	SET OF 12 VANES TVP WITH HOLES	1	AUX309335	■	
317		VANE	(6/12)			●
325	◆	SET OF 3 PUSHRODS	1	AUX314078	■	
325	◆	SET OF 6 PUSHRODS	1	AUX308741	■	
318		PUSHROD	(3/6)			●

P15 BA

* 1, 2, 4... : Quantity in equipment - (1), (2), (4)... : Quantity in kit

Item	Available	Description	Qty*	Ref.	Maintenance kit	Wear part
400	◆	FRONT COVER COMPLETE - STANDARD PUMP :				
		- STANDARD VERSION	1	AUX307395		
400	◆	- HT VERSION	1	AUX314473		
400	◆	- STANDARD VERSION - ENLARGED CLEARANCE	1	AUX312403		
400	◆	- HT VERSION - ENLARGED CLEARANCE	1	AUX314474		
401A		FRONT COVER	(1)			
401B		FRONT COVER	(1)			
407		FRONT COVER BUSHING	(2)			●
410		SCREW	(12)			
400E	◆	FRONT COVER COMPLETE - JACKETED PUMP :				
		- STANDARD VERSION	2	AUX307742		
400E	◆	- HT VERSION	2	AUX314475		
400E	◆	- STANDARD VERSION - ENLARGED CLEARANCE	2	AUX312404		
400E	◆	- HT VERSION - ENLARGED CLEARANCE	2	AUX314476		
401		FRONT COVER	(1)			
410		SCREW	(4)			
411		SCREW	(2)			
416		PLUG	(1)			
417		SEAL	(1)			
419		BUSHING SET	(1)			
407		FRONT COVER BUSHING	(1)			●
408		FRONT COVER INSERT	(1)			
409	◆	SET OF FRONT COVER O-RINGS - CVT	1	AUX310359	■	
409	◆	SET OF FRONT COVER O-RINGS - FKM	1	AUX307396	■	
409	◆	SET OF FRONT COVER O-RINGS - FKM HT	1	AUX307397	■	
403		O-RING	(2)			●
700	◆	COMPLETE FRONT COVER COVER - FKM	1	AUX307403		
700	◆	COMPLETE FRONT COVER COVER - FKM HT	1	AUX307744		
700	◆	COMPLETE FROND COVER COVER - CVT	1	AUX312328		
712		FRONT COVER COVER	(1)			
714		O-RING	(1)			●
726A		SCREW	(3)			
420	◆	SET OF CARBON BUSHINGS - STANDARD PUMP :				
		- STANDARD VERSION	1	AUX314100	■	
420	◆	- HT VERSION	1	AUX314517	■	
420	◆	- STANDARD VERSION - ENLARGED CLEARANCE	1	AUX314101	■	
420	◆	- HT VERSION - ENLARGED CLEARANCE	1	AUX314518	■	
407		FRONT COVER BUSHING	(2)			●
420	◆	SET OF CARBON BUSHINGS - JACKETED PUMP :				
		- STANDARD VERSION	1	AUX307398	■	
420	◆	- HT VERSION	1	AUX314519	■	
420	◆	- STANDARD VERSION - ENLARGED CLEARANCE	1	AUX312398	■	
420	◆	- HT VERSION - ENLARGED CLEARANCE	1	AUX314520	■	
407		FRONT COVER BUSHING	(2)			●
408		FRONT COVER INSERT	(2)			
500	◆	SHAFT COMPLETE P15 P25 BA	1	AUX319628		
501		SHAFT	(1)			
599	◆	SET OF KEYS - PUMP WITH PUSHRODS	1	AUX307401		
508		KEY	(1)			
536		KEY	(2)			
537		CIRCLIPS	(1)			

P15 BA

* 1, 2, 4... : Quantity in equipment - (1), (2), (4)... : Quantity in kit

Item	Available	Description	Qty*	Ref.	Maintenance kit	Wear part
600	◆	MECHANICAL SEAL - BLOCDIR LRB VT	1	AUX300068	■	
600	◆	MECHANICAL SEAL - BLOCDIR LRB HT	1	AUX307445	■	
600	◆	MECHANICAL SEAL - BLOCDIR CRI CVT	1	AUX307539	■	
600	◆	MECHANICAL SEAL - BLOCDIR CRI VT	1	AUX300055	■	
600	◆	MECHANICAL SEAL - BLOCDIR HR CVT	1	AUX308264	■	
600	◆	MECHANICAL SEAL - BLOCDIR HR VT	1	AUX304290	■	
600	◆	MECHANICAL SEAL - BLOCDIR HR HT	1	AUX307446	■	
610		STATIONARY SEAL FACE	(1)			
604		STATIONARY SEAL FACE	(1)			●
605		O-RING	(1)			●
619		BUSHING FOR FEP-FKM MECHANICAL SEAL	(1)			
697		ROTATING PART	(1)			
612		SEAL HOUSING	(1)			●
613		SEAL	(1)			●
614		SPRING GUIDE	(1)			
615		SPRING	(1)			
616		CAGE	(1)			
600B	◆	SHAFT SEALS STANDARDIZED IN ACCORDANCE M7N21_30 C CSSF	1	AUX311595	■	●
600B	◆	SHAFT SEALS STANDARDIZED IN ACCORDANCE M7N21_30 C CSSP	1	AUX310362	■	●
600B	◆	SHAFT SEALS STANDARDIZED IN ACCORDANCE M7N21_30 C CSCSF	1	AUX312032	■	●
600B	◆	SHAFT SEALS STANDARDIZED IN ACCORDANCE M7N21_30 C CSCSP	1	AUX310803	■	●
600C	◆	KIT 2 MECHANICAL SEAL AUX311595 M7N21_30 C 2CSSF	1	AUX315951	■	●
600C	◆	KIT 2 MECHANICAL SEAL AUX310362 M7N21_30 C 2CSSP	1	AUX315952	■	●
600C	◆	KIT 2 MECHANICAL SEAL AUX312032 M7N21_30 C 2CSCSF	1	AUX315953	■	●
600C	◆	KIT 2 MECHANICAL SEAL AUX310803 M7N21_30 C 2CSCSP	1	AUX315954	■	●
609A	◆	BLOCDIR SHAFTSEAL HOLDER COMPLETE - CVT	1	AUX311793		
609A	◆	BLOCDIR SHAFTSEAL HOLDER COMPLETE - FKM	1	AUX307745		
609A	◆	BLOCDIR SHAFTSEAL HOLDER COMPLETE - FKM HT	1	AUX307743		
511		CIRCLIPS	(1)			
601		SHAFTSEAL HOLDER	(1)			
602		O-RING	(1)			●
602A		O-RING	(1)			●
627		PIN	(1)			
641		DRIVER	(1)			
642		SCREW	(2)			
729		SCREW	(2)			
730		NUT	(2)			
609B	◆	PGSN SHAFTSEAL HOLDER COMPLETE - CVT	1	AUX312409		
609B	◆	PGSN SHAFTSEAL HOLDER COMPLETE - FKM	1	AUX308527		
609B	◆	PGSN SHAFTSEAL HOLDER COMPLETE - FKM HT	1	AUX308532		
601		SHAFTSEAL HOLDER	(1)			
602		O-RING	(1)			●
602A		O-RING	(1)			●
627		PIN	(1)			
729		SCREW	(2)			
730		NUT	(2)			
609C	◆	PGDN SHAFTSEAL HOLDER COMPLETE - CVT	1	AUX312408		
609C	◆	PGDN SHAFTSEAL HOLDER COMPLETE - FKM	1	AUX308528		
609C	◆	PGDN SHAFTSEAL HOLDER COMPLETE - FKM HT	1	AUX308533		
601		SHAFTSEAL HOLDER	(1)			
602A		O-RING	(1)			●
603		SHAFTSEAL SEAT	(1)			
608		PIN	(1)			
621		SEAL	(1)			
627		PIN	(2)			
729		SCREW	(2)			
730		NUT	(2)			

LRB : Bronze/Stainless steel CRI : Carbon/Stainless steel HR : Tungsten carbide/Tungsten carbide

P15 BA

* 1, 2, 4... : Quantity in equipment - (1), (2), (4)... : Quantity in kit

Item	Available	Description	Qty*	Ref.	Maintenance kit	Wear part
609D	◆	SET PTFE GLAND PACKING - CVT	1	AUX312576		
609D	◆	SET PTFE GLAND PACKING - FKM	1	AUX316006		
609D	◆	SET PTFE GLAND PACKING - FKM HT	1	AUX310738		
511		CIRCLIPS	(1)			
603		SHAFTSEAL SEAT	(1)			
624		PIN	(2)			
625		JACKET	(1)			●
626		SEAL	(2)			●
628		SCREW	(3)			
629		PACKING	(5)			●
631		RAM	(1)			
632		CIRCLIPS	(1)			
636		STIRRUP SHAFTSEAL HOLDER	(2)			
729A		SCREW	(2)			
730		NUT	(2)			
640	◆	RESERVOIR GREASE COMPLETE	1	AUX307407		
643		SNIFTER VALVE	(1)			
644		GREASE NIPPLE	(1)			
645		COVER	(1)			
646		O-RING	(1)			●
647		LIP SEAL	(1)			●
704	◆	BALL BEARING KIT	1	AUX307842		
537		CIRCLIPS	(1)			
703		BALL BEARING	(1)			●
714		COVER SEAL	(1)			●
731		WASHER	(2)			
715	◆	SET OF SEALS + DIVERSE FOR OUTBOARD BEARING - CVT	1	AUX310339	■	
715	◆	SET OF SEALS + DIVERSE FOR OUTBOARD BEARING - FKM	1	AUX307404	■	
715	◆	SET OF SEALS + DIVERSE FOR OUTBOARD BEARING - FKM HT	1	AUX307405	■	
511		CIRCLIPS	(1)			
537		CIRCLIPS	(1)			
602		O-RING	(1)			●
602A		O-RING	(1)			●
608		PIN	(1)			
621		SEAL	(1)			
627		PIN	(2)			
642		SCREW (FKM - FKM HT)	(2)			
646		O-RING	(1)			●
647		LIP SEAL	(1)			●
707		LIP SEAL	(1)			●
716		LIP SEAL	(1)			●
727		O-RING	(1)			●
720	◆	OUTBOARD BEARING, COMPLETE - CVT - PGDN MECH SEAL	1	AUX312450	■	
720	◆	OUTBOARD BEARING, COMPLETE - FKM - PGDN MECH SEAL	1	AUX308530	■	
720	◆	OUTBOARD BEARING, COMPLETE - FKM HT - PGDN MECH SEAL	1	AUX308536	■	
720	◆	OUTBOARD BEARING, COMPLETE - CVT - EXCEPT PGDN MECH SEALS	1	AUX312325	■	
720	◆	OUTBOARD BEARING, COMPLETE - FKM - EXCEPT PGDN MECH SEALS	1	AUX308531	■	
720	◆	OUTBOARD BEARING, COMPLETE - FKM HT - EXCEPT PGDN MECH SEALS	1	AUX307746	■	
703		BALL BEARING	(1)			●
716		LIP SEAL	(1)			●
725		OUTBOARD BEARING	(1)			
726		SCREW	(3)			
727		O-RING	(1)			●
731		WASHER	(2)			
740	◆	COVER COMPLETE	1	AUX307408		
705		COVER	(1)			
707		LIP SEAL	(1)			●
723		SCREW	(4)			

P15 BA

* 1, 2, 4... : Quantity in equipment - (1), (2), (4)... : Quantity in kit

Item	Available	Description	Qty*	Ref.	Maintenance kit	Wear part
Single bypass						
(without Spring 824 and without Complete plug 866) :						
820	◆	SINGLE BYPASS, COMPLETE (WITHOUT SPRING) - FKM HT	1	AUX307106		
820	◆	SINGLE BYPASS, COMPLETE (WITHOUT SPRING) - CVT	1	AUX312326		
820	◆	SINGLE BYPASS, COMPLETE (WITHOUT SPRING) - FKM	1	AUX307102		
115		BYPASS ORIENTATION PLATE	(1)			
116		PIN	(2)			
801		BYPASS BODY	(1)			
823	◆	COMPENSATED VALVE	1	AUX204795		
826A		WASHER	(1)			
827		INTERNAL RELIEF VALVE CAP	(1)			
858	◆	O-RING FKM	2	AUX200795		●
858	◆	SEAL FEP-FKM	2	AUX215301		●
858	◆	O-RING FKM HT	2	AUX209454		●
859		SCREW	(2)			
898	◆	PRESSURE SCREW ASSEMBLY - CVT	1	AUX312327		
898	◆	PRESSURE SCREW ASSEMBLY - FKM	1	AUX307122		
898	◆	PRESSURE SCREW ASSEMBLY - FKM HT	1	AUX307317		
807		SEAL	(1)			●
825		SPRING GUIDE	(1)			
826		ADJUSTING SCREW	(1)			
831		PIN	(1)			
834		NUT	(1)			
835		NUT	(1)			
837		O-RING	(1)			●
856		SCREW	(3)			
824	◆	3 BAR SPRING, COMPLETE	1	AUX314463		
823A		SPRING GUIDE	(1)			
824A		SPRING	(1)			
824	◆	6 BAR SPRING	1	AUX211528		
824	◆	9 BAR SPRING	1	AUX211529		
824	◆	12 BAR SPRING, COMPLETE	1	AUX309500		
824A		SPRING	(1)			
829		SPACER	(1)			
866	◆	COMPLETE PLUG	1	AUX307734	■	●
850		SEAL	(1)			
857		PLUG	(1)			
899	◆	SET OF SEALS + DIVERSE FOR BYPASS - CVT	1	AUX312429	■	
899	◆	SET OF SEALS + DIVERSE FOR BYPASS - FKM	1	AUX307088	■	
899	◆	SET OF SEALS + DIVERSE FOR BYPASS - FKM HT	1	AUX307089	■	
807		SEAL	(1)			●
831		PIN	(1)			
834		NUT	(1)			
835		NUT	(1)			
837		O-RING	(1)			●
850		SEAL	(1)			●
856		SCREW	(3)			
858	◆	O-RING FKM	2	AUX200795		●
858	◆	SEAL FEP-FKM	2	AUX215301		●
858	◆	O-RING FKM HT	2	AUX209454		●
859		SCREW	(2)			

P15 BA

* 1, 2, 4... : Quantity in equipment - (1), (2), (4)... : Quantity in kit

Item	Available	Description	Qty*	Ref.	Maintenance kit	Wear part
Double bypass						
(without Spring 824 and without Complete plug 866) :						
820A	◆	DOUBLE BYPASS, COMPLETE (WITHOUT SPRING) - CVT	1	AUX312412		
820A	◆	DOUBLE BYPASS, COMPLETE (WITHOUT SPRING) - FKM HT	1	AUX307118		
820A	◆	DOUBLE BYPASS, COMPLETE (WITHOUT SPRING) - FKM	1	AUX307114		
115		BYPASS ORIENTATION PLATE	(1)			
116		PIN	(2)			
801		BYPASS BODY	(1)			
823	◆	COMPENSATED VALVE	2	AUX204795		
826A		WASHER	(2)			
827		INTERNAL RELIEF VALVE CAP	(2)			
858	◆	O-RING FKM	2	AUX200795		●
858	◆	SEAL FEP-FKM	2	AUX215301		●
858	◆	O-RING FKM HT	2	AUX209454		●
859		SCREW	(2)			
898	◆	PRESSURE SCREW ASSEMBLY - CVT	2	AUX312327		
898	◆	PRESSURE SCREW ASSEMBLY - FKM	2	AUX307122		
898	◆	PRESSURE SCREW ASSEMBLY - FKM HT	2	AUX307317		
807		SEAL	(1)			●
825		SPRING GUIDE	(1)			
826		ADJUSTING SCREW	(1)			
831		PIN	(1)			
834		NUT	(1)			
835		NUT	(1)			
837		O-RING	(1)			●
856		SCREW	(3)			
824	◆	3 BAR SPRING, COMPLETE	2	AUX314463		
823A		SPRING GUIDE	(1)			
824A		SPRING	(1)			
824	◆	6 BAR SPRING	2	AUX211528		
824	◆	9 BAR SPRING	2	AUX211529		
824	◆	12 BAR SPRING, COMPLETE	2	AUX309500		
824A		SPRING	(1)			
829		SPACER	(1)			
866	◆	COMPLETE PLUG	2	AUX307734	■	●
850		SEAL	(1)			
857		PLUG	(1)			
899	◆	SET OF SEALS + DIVERSE FOR BYPASS - CVT	2	AUX312429	■	●
899	◆	SET OF SEALS + DIVERSE FOR BYPASS - FKM	2	AUX307088	■	●
899	◆	SET OF SEALS + DIVERSE FOR BYPASS - FKM HT	2	AUX307089	■	●
807		SEAL	(1)			●
831		PIN	(1)			
834		NUT	(1)			
835		NUT	(1)			
837		O-RING	(1)			●
850		SEAL	(1)			●
856		SCREW	(3)			
858	◆	O-RING FKM	2	AUX200795		●
858	◆	SEAL FEP-FKM	2	AUX215301		●
858	◆	O-RING FKM HT	2	AUX209454		●
859		SCREW	(2)			

P15 BA

* 1, 2, 4... : Quantity in equipment - (1), (2), (4)... : Quantity in kit

Item	Available	Description	Qty*	Ref.	Maintenance kit	Wear part
868	◆	COMPLETE STIRRUP - FKM HT	1	AUX308808		
868	◆	COMPLETE STIRRUP - CVT	1	AUX312411		
868	◆	COMPLETE STIRRUP - FKM	1	AUX308807		
858	◆	O-RING FKM	2	AUX200795		●
858	◆	SEAL FEP-FKM	2	AUX215301		●
858	◆	O-RING FKM HT	2	AUX209454		●
859A		WASHER	(1)			
859B		SCREW	(1)			
865		PLUG	(2)			
867		STIRRUP	(1)			

P25 BA

* 1, 2, 4... : Quantity in equipment - (1), (2), (4)... : Quantity in kit

Item	Available	Description	Qty*	Ref.	Maintenance kit	Wear part
97	◆	PTFE GLAND PACKING KIT - FKM - CVT - FKM HT	1	AUX312484	■	
625		JACKET	(1)			●
626		SEAL	(2)			●
628		SCREW	(3)			
629		PACKING	(5)			●
98	◆	FULL SET OF PUMP SCREWS	1	AUX307392		
410		SCREW	(12)			
642		SCREW	(2)			
723		SCREW	(4)			
726		SCREW	(3)			
729		SCREW	(2)			
729A		SCREW	(2)			
730		NUT	(2)			
98	◆	FULL SET OF JACKETED PUMP SCREWS	1	AUX308791		
410		SCREW	(8)			
411		SCREW	(4)			
642		SCREW	(2)			
723		SCREW	(4)			
726		SCREW	(3)			
726A		SCREW	(3)			
729		SCREW	(2)			
729A		SCREW	(2)			
730		NUT	(2)			
99	◆	SET OF SEALS - STANDARD PUMP - CVT	1	AUX314105	■	
99	◆	SET OF SEALS - STANDARD PUMP - FKM HT	1	AUX314103	■	
99	◆	SET OF SEALS - STANDARD PUMP - FKM	1	AUX314102	■	
403		O-RING	(2)			●
417		SEAL	(2)			
602		O-RING	(1)			●
602A		O-RING	(1)			●
621		SEAL	(1)			
707		LIP SEAL	(1)			●
716		LIP SEAL	(1)			●
727		O-RING	(1)			●
99	◆	SET OF SEALS - JACKETED PUMP - CVT	1	AUX310071	■	
99	◆	SET OF SEALS - JACKETED PUMP - FKM	1	AUX307393	■	
99	◆	SET OF SEALS - JACKETED PUMP - FKM HT	1	AUX307394	■	
403		O-RING	(2)			●
417		SEAL	(2)			
602		O-RING	(1)			●
602A		O-RING	(1)			●
621		SEAL	(1)			
707		LIP SEAL	(1)			●
714		O-RING	(1)			●
716		LIP SEAL	(1)			●
727		O-RING	(1)			●
101	◆	BODY NO CHROMIUM PLATING	1	AUX211832		
301	◆	12 VANES ROTOR	1	AUX211833		
301	◆	6 VANES ROTOR	1	AUX222670		
309	◆	SET OF 12 VANES TVP	1	AUX307738	■	
309	◆	SET OF 12 VANES TVP WITH HOLES	1	AUX307739	■	
309	◆	SET OF 6 VANES TVP	1	AUX313458	■	
309	◆	SET OF 6 VANES TVP WITH HOLES	1	AUX313457	■	
317		VANE	(6/12)			●
325	◆	SET OF 3 PUSHRODS	1	AUX316829	■	
325	◆	SET OF 6 PUSHRODS	1	AUX307379	■	
318		PUSHROD	(3/6)			●

P25 BA

* 1, 2, 4... : Quantity in equipment - (1), (2), (4)... : Quantity in kit

Item	Available	Description	Qty*	Ref.	Maintenance kit	Wear part
400	◆	FRONT COVER COMPLETE - STANDARD PUMP :				
		- STANDARD VERSION	1	AUX307395		
400	◆	- HT VERSION	1	AUX314473		
400	◆	- STANDARD VERSION - ENLARGED CLEARANCE	1	AUX312403		
400	◆	- HT VERSION - ENLARGED CLEARANCE	1	AUX314474		
401A		FRONT COVER	(1)			
401B		FRONT COVER	(1)			
407		FRONT COVER BUSHING	(2)			●
410		SCREW	(12)			
400E	◆	FRONT COVER COMPLETE - JACKETED PUMP :				
		- STANDARD VERSION	2	AUX307742		
400E	◆	- HT VERSION	2	AUX314475		
400E	◆	- STANDARD VERSION - ENLARGED CLEARANCE	2	AUX312404		
400E	◆	- HT VERSION - ENLARGED CLEARANCE	2	AUX314476		
401		FRONT COVER	(1)			
410		SCREW	(4)			
411		SCREW	(2)			
416		PLUG	(1)			
417		SEAL	(1)			
419		BUSHING SET	(1)			
407		FRONT COVER BUSHING	(1)			●
408		FRONT COVER INSERT	(1)			
409	◆	SET OF FRONT COVER O-RINGS - CVT	1	AUX310359	■	
409	◆	SET OF FRONT COVER O-RINGS - FKM	1	AUX307396	■	
409	◆	SET OF FRONT COVER O-RINGS - FKM HT	1	AUX307397	■	
403		O-RING	(2)			●
700	◆	COMPLETE FRONT COVER COVER - FKM	1	AUX307403		
700	◆	COMPLETE FRONT COVER COVER - FKM HT	1	AUX307744		
700	◆	COMPLETE FROND COVER COVER - CVT	1	AUX312328		
712		FRONT COVER COVER	(1)			
714		O-RING	(1)			●
726A		SCREW	(3)			
420	◆	SET OF CARBON BUSHINGS - STANDARD PUMP :				
		- STANDARD VERSION	1	AUX314100	■	
420	◆	- HT VERSION	1	AUX314517	■	
420	◆	- STANDARD VERSION - ENLARGED CLEARANCE	1	AUX314101	■	
420	◆	- HT VERSION - ENLARGED CLEARANCE	1	AUX314518	■	
407		FRONT COVER BUSHING	(2)			●
420	◆	SET OF CARBON BUSHINGS - JACKETED PUMP :				
		- STANDARD VERSION	1	AUX307398	■	
420	◆	- HT VERSION	1	AUX314519	■	
420	◆	- STANDARD VERSION - ENLARGED CLEARANCE	1	AUX312398	■	
420	◆	- HT VERSION - ENLARGED CLEARANCE	1	AUX314520	■	
407		FRONT COVER BUSHING	(2)			●
408		FRONT COVER INSERT	(2)			
500	◆	SHAFT COMPLETE P15 P25 BA	1	AUX319628		
501		SHAFT	(1)			
599	◆	SET OF KEYS - PUMP WITH PUSHRODS	1	AUX307401		
508		KEY	(1)			
536		KEY	(2)			
537		CIRCLIPS	(1)			

P25 BA

* 1, 2, 4... : Quantity in equipment - (1), (2), (4)... : Quantity in kit

Item	Available	Description	Qty*	Ref.	Maintenance kit	Wear part
600	◆	MECHANICAL SEAL - BLOCDIR LRB VT	1	AUX300068	■	
600	◆	MECHANICAL SEAL - BLOCDIR LRB HT	1	AUX307445	■	
600	◆	MECHANICAL SEAL - BLOCDIR CRI CVT	1	AUX307539	■	
600	◆	MECHANICAL SEAL - BLOCDIR CRI VT	1	AUX300055	■	
600	◆	MECHANICAL SEAL - BLOCDIR HR CVT	1	AUX308264	■	
600	◆	MECHANICAL SEAL - BLOCDIR HR VT	1	AUX304290	■	
600	◆	MECHANICAL SEAL - BLOCDIR HR HT	1	AUX307446	■	
610		STATIONARY SEAL FACE	(1)			
604		STATIONARY SEAL FACE	(1)			●
605		O-RING	(1)			●
619		BUSHING FOR FEP-FKM MECHANICAL SEAL	(1)			
697		ROTATING PART	(1)			
612		SEAL HOUSING	(1)			●
613		SEAL	(1)			●
614		SPRING GUIDE	(1)			
615		SPRING	(1)			
616		CAGE	(1)			
600B	◆	SHAFT SEALS STANDARDIZED IN ACCORDANCE M7N21_30 C CSSF	1	AUX311595	■	●
600B	◆	SHAFT SEALS STANDARDIZED IN ACCORDANCE M7N21_30 C CSSP	1	AUX310362	■	●
600B	◆	SHAFT SEALS STANDARDIZED IN ACCORDANCE M7N21_30 C CSCSF	1	AUX312032	■	●
600B	◆	SHAFT SEALS STANDARDIZED IN ACCORDANCE M7N21_30 C CSCSP	1	AUX310803	■	●
600C	◆	KIT 2 MECHANICAL SEAL AUX311595 M7N21_30 C 2CSSF	1	AUX315951	■	●
600C	◆	KIT 2 MECHANICAL SEAL AUX310362 M7N21_30 C 2CSSP	1	AUX315952	■	●
600C	◆	KIT 2 MECHANICAL SEAL AUX312032 M7N21_30 C 2CSCSF	1	AUX315953	■	●
600C	◆	KIT 2 MECHANICAL SEAL AUX310803 M7N21_30 C 2CSCSP	1	AUX315954	■	●
609A	◆	BLOCDIR SHAFTSEAL HOLDER COMPLETE - CVT	1	AUX311793		
609A	◆	BLOCDIR SHAFTSEAL HOLDER COMPLETE - FKM	1	AUX307745		
609A	◆	BLOCDIR SHAFTSEAL HOLDER COMPLETE - FKM HT	1	AUX307743		
511		CIRCLIPS	(1)			
601		SHAFTSEAL HOLDER	(1)			
602		O-RING	(1)			●
602A		O-RING	(1)			●
627		PIN	(1)			
641		DRIVER	(1)			
642		SCREW	(2)			
729		SCREW	(2)			
730		NUT	(2)			
609B	◆	PGSN SHAFTSEAL HOLDER COMPLETE - CVT	1	AUX312409		
609B	◆	PGSN SHAFTSEAL HOLDER COMPLETE - FKM	1	AUX308527		
609B	◆	PGSN SHAFTSEAL HOLDER COMPLETE - FKM HT	1	AUX308532		
601		SHAFTSEAL HOLDER	(1)			
602		O-RING	(1)			●
602A		O-RING	(1)			●
627		PIN	(1)			
729		SCREW	(2)			
730		NUT	(2)			
609C	◆	PGDN SHAFTSEAL HOLDER COMPLETE - CVT	1	AUX312408		
609C	◆	PGDN SHAFTSEAL HOLDER COMPLETE - FKM	1	AUX308528		
609C	◆	PGDN SHAFTSEAL HOLDER COMPLETE - FKM HT	1	AUX308533		
601		SHAFTSEAL HOLDER	(1)			
602A		O-RING	(1)			●
603		SHAFTSEAL SEAT	(1)			
608		PIN	(1)			
621		SEAL	(1)			
627		PIN	(2)			
729		SCREW	(2)			
730		NUT	(2)			

LRB : Bronze/Stainless steel CRI : Carbon/Stainless steel HR : Tungsten carbide/Tungsten carbide

P25 BA

* 1, 2, 4... : Quantity in equipment - (1), (2), (4)... : Quantity in kit

Item	Available	Description	Qty*	Ref.	Maintenance kit	Wear part
609D	◆	SET PTFE GLAND PACKING - CVT	1	AUX312576		
609D	◆	SET PTFE GLAND PACKING - FKM	1	AUX316006		
609D	◆	SET PTFE GLAND PACKING - FKM HT	1	AUX310738		
511		CIRCLIPS	(1)			
603		SHAFTSEAL SEAT	(1)			
624		PIN	(2)			
625		JACKET	(1)			●
626		SEAL	(2)			●
628		SCREW	(3)			
629		PACKING	(5)			●
631		RAM	(1)			
632		CIRCLIPS	(1)			
636		STIRRUP SHAFTSEAL HOLDER	(2)			
729A		SCREW	(2)			
730		NUT	(2)			
640	◆	RESERVOIR GREASE COMPLETE	1	AUX307407		
643		SNIFTER VALVE	(1)			
644		GREASE NIPPLE	(1)			
645		COVER	(1)			
646		O-RING	(1)			●
647		LIP SEAL	(1)			●
704	◆	BALL BEARING KIT	1	AUX307842		
537		CIRCLIPS	(1)			
703		BALL BEARING	(1)			●
714		COVER SEAL	(1)			●
731		WASHER	(2)			
715	◆	SET OF SEALS + DIVERSE FOR OUTBOARD BEARING - CVT	1	AUX310339	■	
715	◆	SET OF SEALS + DIVERSE FOR OUTBOARD BEARING - FKM	1	AUX307404	■	
715	◆	SET OF SEALS + DIVERSE FOR OUTBOARD BEARING - FKM HT	1	AUX307405	■	
511		CIRCLIPS	(1)			
537		CIRCLIPS	(1)			
602		O-RING	(1)			●
602A		O-RING	(1)			●
608		PIN	(1)			
621		SEAL	(1)			
627		PIN	(2)			
642		SCREW (FKM - FKM HT)	(2)			
646		O-RING	(1)			●
647		LIP SEAL	(1)			●
707		LIP SEAL	(1)			●
716		LIP SEAL	(1)			●
727		O-RING	(1)			●
720	◆	OUTBOARD BEARING, COMPLETE - CVT - PGDN MECH SEAL	1	AUX312450	■	
720	◆	OUTBOARD BEARING, COMPLETE - FKM - PGDN MECH SEAL	1	AUX308530	■	
720	◆	OUTBOARD BEARING, COMPLETE - FKM HT - PGDN MECH SEAL	1	AUX308536	■	
720	◆	OUTBOARD BEARING, COMPLETE - CVT - EXCEPT PGDN MECH SEALS	1	AUX312325	■	
720	◆	OUTBOARD BEARING, COMPLETE - FKM - EXCEPT PGDN MECH SEALS	1	AUX308531	■	
720	◆	OUTBOARD BEARING, COMPLETE - FKM HT - EXCEPT PGDN MECH SEALS	1	AUX307746	■	
703		BALL BEARING	(1)			●
716		LIP SEAL	(1)			●
725		OUTBOARD BEARING	(1)			
726		SCREW	(3)			
727		O-RING	(1)			●
731		WASHER	(2)			
740	◆	COVER COMPLETE	1	AUX307408		
705		COVER	(1)			
707		LIP SEAL	(1)			●
723		SCREW	(4)			

P25 BA

* 1, 2, 4... : Quantity in equipment - (1), (2), (4)... : Quantity in kit

Item	Available	Description	Qty*	Ref.	Maintenance kit	Wear part
Single bypass						
(without Spring 824 and without Complete plug 866) :						
820	◆	SINGLE BYPASS, COMPLETE (WITHOUT SPRING) - FKM HT	1	AUX307106		
820	◆	SINGLE BYPASS, COMPLETE (WITHOUT SPRING) - CVT	1	AUX312326		
820	◆	SINGLE BYPASS, COMPLETE (WITHOUT SPRING) - FKM	1	AUX307102		
115		BYPASS ORIENTATION PLATE	(1)			
116		PIN	(2)			
801		BYPASS BODY	(1)			
823	◆	COMPENSATED VALVE	1	AUX204795		
826A		WASHER	(1)			
827		INTERNAL RELIEF VALVE CAP	(1)			
858	◆	O-RING FKM	2	AUX200795		●
858	◆	SEAL FEP-FKM	2	AUX215301		●
858	◆	O-RING FKM HT	2	AUX209454		●
859		SCREW	(2)			
898	◆	PRESSURE SCREW ASSEMBLY - CVT	1	AUX312327		
898	◆	PRESSURE SCREW ASSEMBLY - FKM	1	AUX307122		
898	◆	PRESSURE SCREW ASSEMBLY - FKM HT	1	AUX307317		
807		SEAL	(1)			●
825		SPRING GUIDE	(1)			
826		ADJUSTING SCREW	(1)			
831		PIN	(1)			
834		NUT	(1)			
835		NUT	(1)			
837		O-RING	(1)			●
856		SCREW	(3)			
824	◆	3 BAR SPRING, COMPLETE	1	AUX314463		
823A		SPRING GUIDE	(1)			
824A		SPRING	(1)			
824	◆	6 BAR SPRING	1	AUX211528		
824	◆	9 BAR SPRING	1	AUX211529		
824	◆	12 BAR SPRING, COMPLETE	1	AUX309500		
824A		SPRING	(1)			
829		SPACER	(1)			
866	◆	COMPLETE PLUG	1	AUX307734	■	●
850		SEAL	(1)			
857		PLUG	(1)			
899	◆	SET OF SEALS + DIVERSE FOR BYPASS - CVT	1	AUX312429	■	●
899	◆	SET OF SEALS + DIVERSE FOR BYPASS - FKM	1	AUX307088	■	●
899	◆	SET OF SEALS + DIVERSE FOR BYPASS - FKM HT	1	AUX307089	■	●
807		SEAL	(1)			●
831		PIN	(1)			
834		NUT	(1)			
835		NUT	(1)			
837		O-RING	(1)			●
850		SEAL	(1)			●
856		SCREW	(3)			
858	◆	O-RING FKM	2	AUX200795		●
858	◆	SEAL FEP-FKM	2	AUX215301		●
858	◆	O-RING FKM HT	2	AUX209454		●
859		SCREW	(2)			

P25 BA

* 1, 2, 4... : Quantity in equipment - (1), (2), (4)... : Quantity in kit

Item	Available	Description	Qty*	Ref.	Maintenance kit	Wear part
Double bypass						
(without Spring 824 and without Complete plug 866) :						
820A	◆	DOUBLE BYPASS, COMPLETE (WITHOUT SPRING) - CVT	1	AUX312412		
820A	◆	DOUBLE BYPASS, COMPLETE (WITHOUT SPRING) - FKM HT	1	AUX307118		
820A	◆	DOUBLE BYPASS, COMPLETE (WITHOUT SPRING) - FKM	1	AUX307114		
115		BYPASS ORIENTATION PLATE	(1)			
116		PIN	(2)			
801		BYPASS BODY	(1)			
823	◆	COMPENSATED VALVE	2	AUX204795		
826A		WASHER	(2)			
827		INTERNAL RELIEF VALVE CAP	(2)			
858	◆	O-RING FKM	2	AUX200795		●
858	◆	SEAL FEP-FKM	2	AUX215301		●
858	◆	O-RING FKM HT	2	AUX209454		●
859		SCREW	(2)			
898	◆	PRESSURE SCREW ASSEMBLY - CVT	2	AUX312327		
898	◆	PRESSURE SCREW ASSEMBLY - FKM	2	AUX307122		
898	◆	PRESSURE SCREW ASSEMBLY - FKM HT	2	AUX307317		
807		SEAL	(1)			●
825		SPRING GUIDE	(1)			
826		ADJUSTING SCREW	(1)			
831		PIN	(1)			
834		NUT	(1)			
835		NUT	(1)			
837		O-RING	(1)			●
856		SCREW	(3)			
824	◆	3 BAR SPRING, COMPLETE	2	AUX314463		
823A		SPRING GUIDE	(1)			
824A		SPRING	(1)			
824	◆	6 BAR SPRING	2	AUX211528		
824	◆	9 BAR SPRING	2	AUX211529		
824	◆	12 BAR SPRING, COMPLETE	2	AUX309500		
824A		SPRING	(1)			
829		SPACER	(1)			
866	◆	COMPLETE PLUG	2	AUX307734	■	●
850		SEAL	(1)			
857		PLUG	(1)			
899	◆	SET OF SEALS + DIVERSE FOR BYPASS - CVT	2	AUX312429	■	●
899	◆	SET OF SEALS + DIVERSE FOR BYPASS - FKM	2	AUX307088	■	●
899	◆	SET OF SEALS + DIVERSE FOR BYPASS - FKM HT	2	AUX307089	■	●
807		SEAL	(1)			●
831		PIN	(1)			
834		NUT	(1)			
835		NUT	(1)			
837		O-RING	(1)			●
850		SEAL	(1)			●
856		SCREW	(3)			
858	◆	O-RING FKM	2	AUX200795		●
858	◆	SEAL FEP-FKM	2	AUX215301		●
858	◆	O-RING FKM HT	2	AUX209454		●
859		SCREW	(2)			

P25 BA

* 1, 2, 4... : Quantity in equipment - (1), (2), (4)... : Quantity in kit

Item	Available	Description	Qty*	Ref.	Maintenance kit	Wear part
868	◆	COMPLETE STIRRUP - FKM HT	1	AUX308808		
868	◆	COMPLETE STIRRUP - CVT	1	AUX312411		
868	◆	COMPLETE STIRRUP - FKM	1	AUX308807		
858	◆	O-RING FKM	2	AUX200795		●
858	◆	SEAL FEP-FKM	2	AUX215301		●
858	◆	O-RING FKM HT	2	AUX209454		●
859A		WASHER	(1)			
859B		SCREW	(1)			
865		PLUG	(2)			
867		STIRRUP	(1)			