



P.L. : 1008-D02

Effective
Replaces

February 2023
July 2020

PARTS LIST
PUMP
P40 BI - P60 BI

Keep this parts lists with Installation, Operation and Maintenance Instructions.

To order the required spare parts, indicate the desired Reference(s).

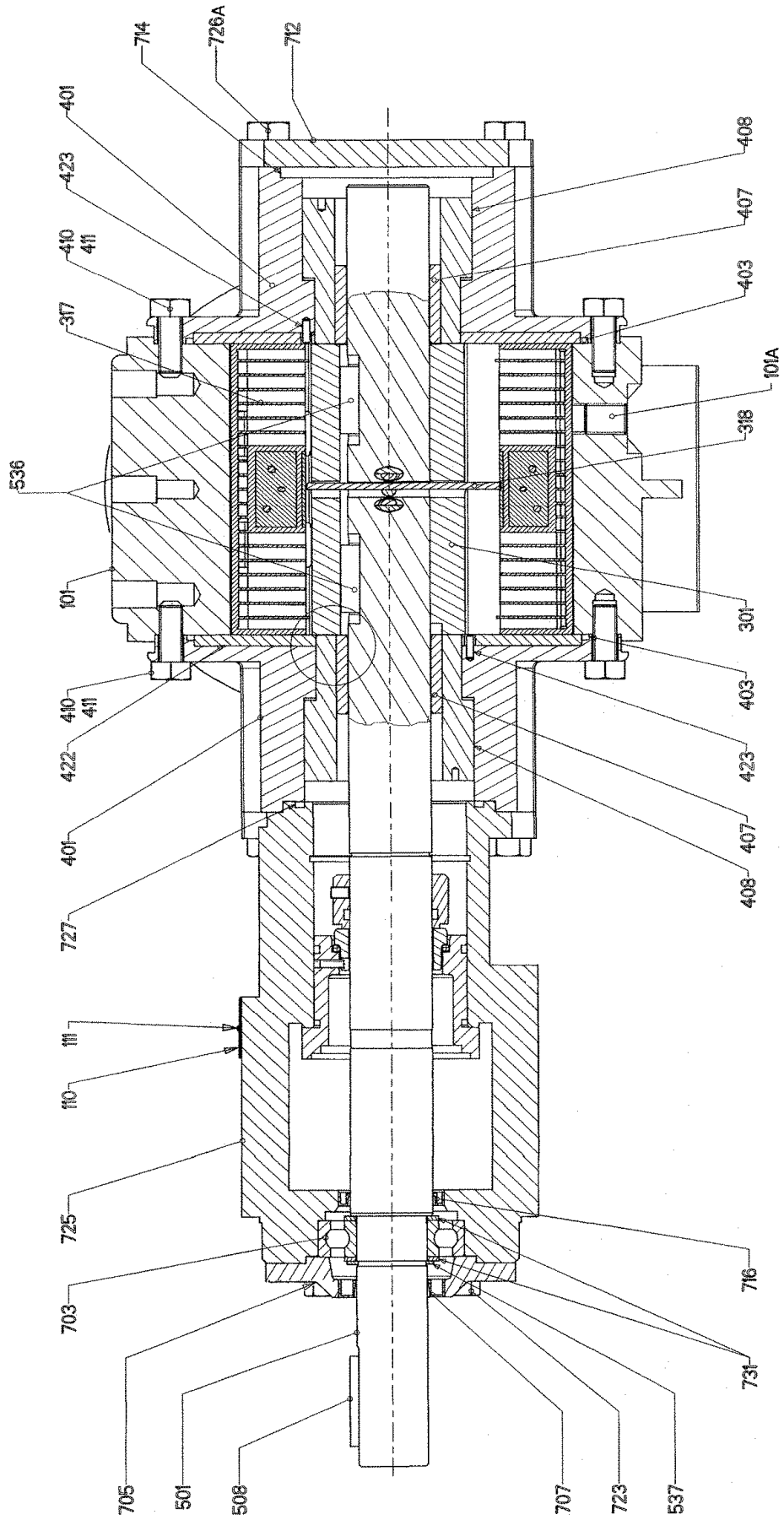
- ◆ Sets of parts or parts available to order.

CVT : FEP encapsulated FKM

Z.I. la Plaine des Isles - 2 rue des Caillottes F-89000 AUXERRE - France

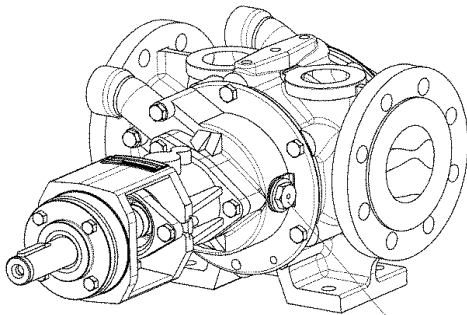
Tel : +33 (0)3 86 49 86 30 • Fax : +33 (0)3 86 49 87 17
contact.mouvex@psgdover.com • www.mouvex.com

P40 BI - P60 BI



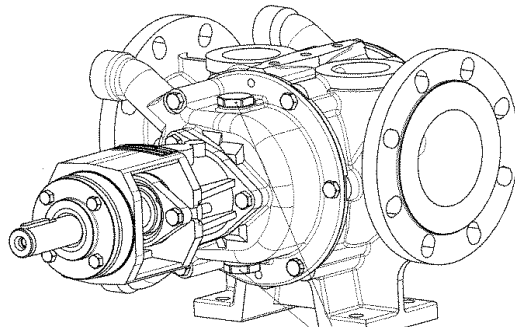
Pump with jacket

P40



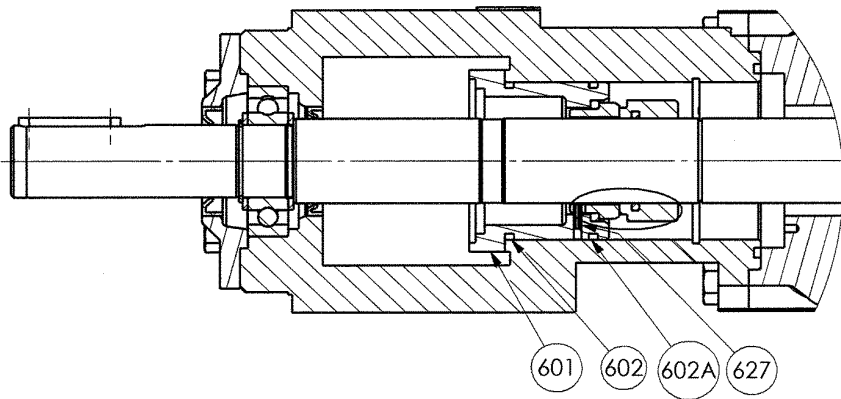
416 - 417

P60



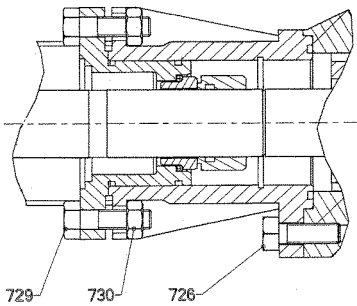
416 - 417

Shaftseal holder PGSN

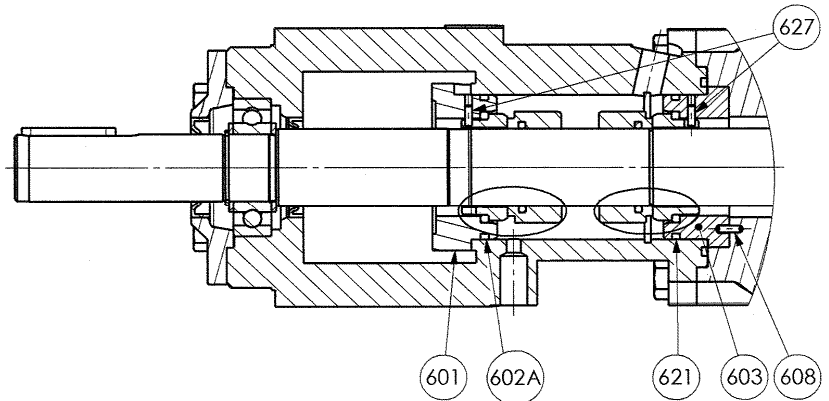


601 602 602A 627

Shaftseal holder PGDN

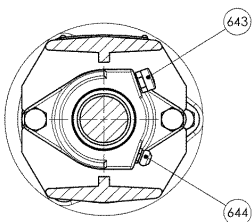


729 730 726

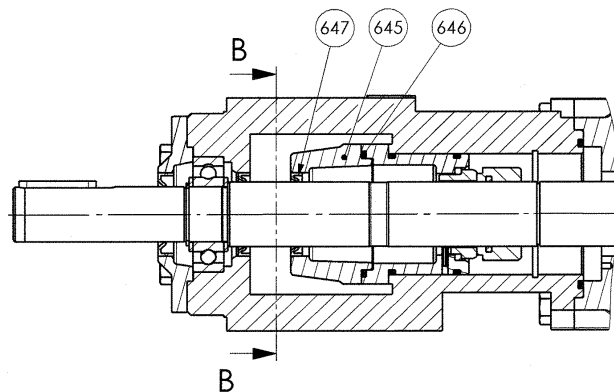


601 602A 621 603 608 627

Grease container

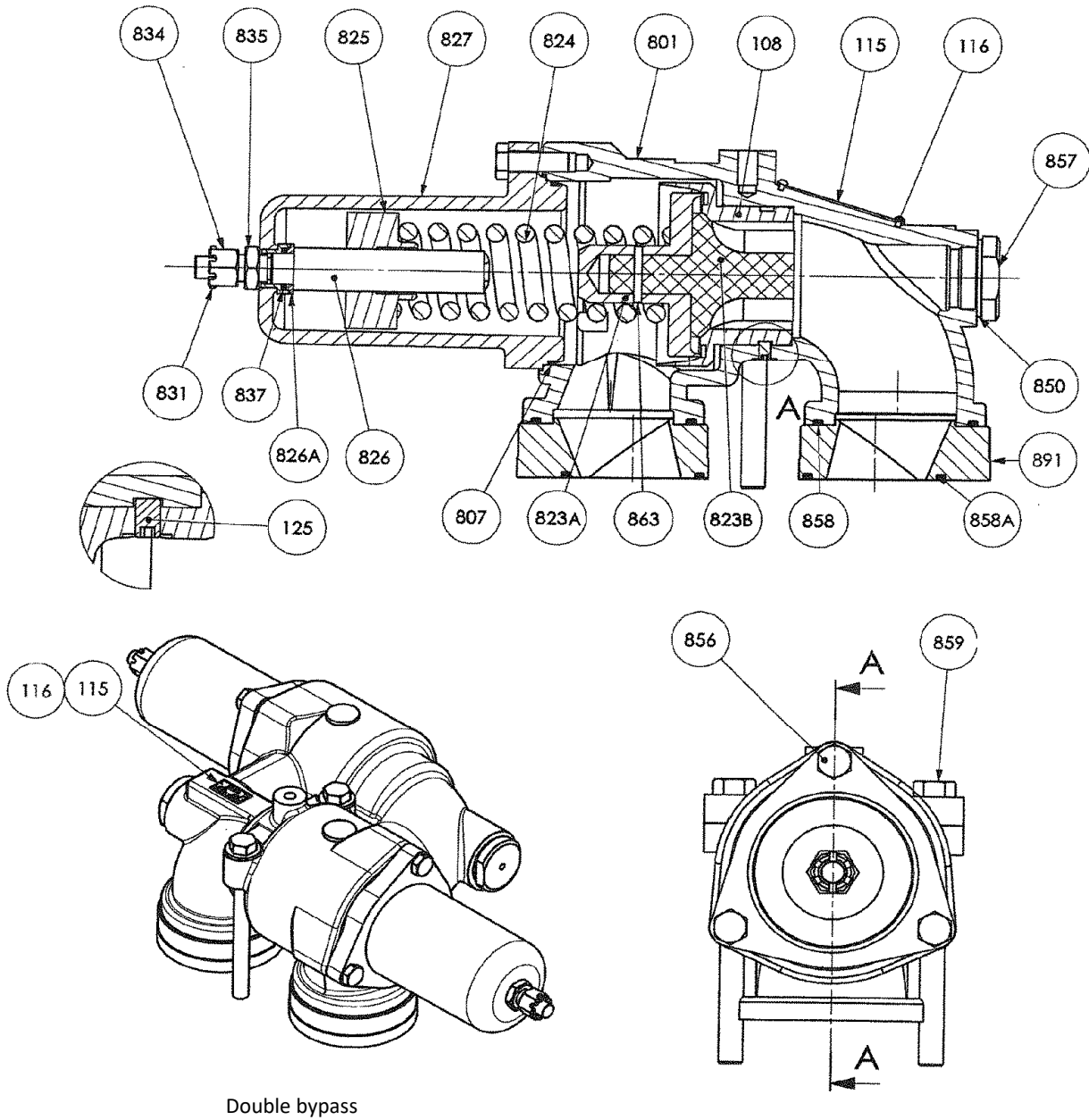


643 644



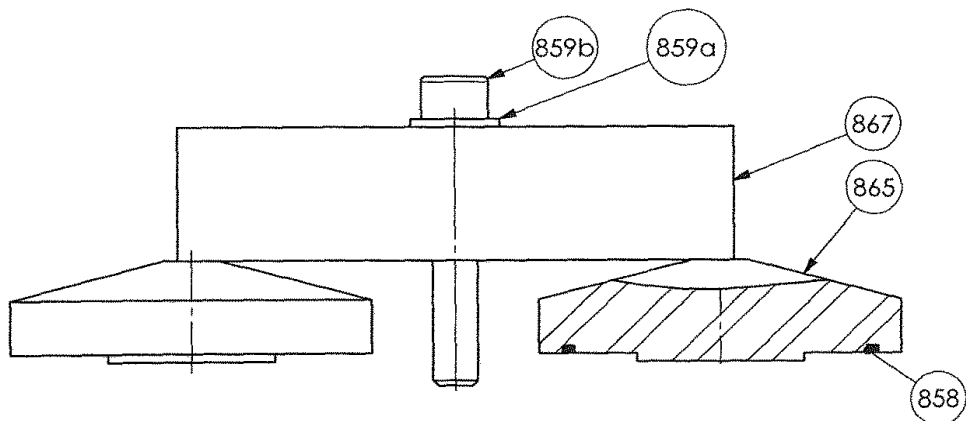
B

Bypass



Double bypass

Stirrup



P40 BI

* 1, 2, 4... : Quantity in equipment - (1), (2), (4)... : Quantity in kit

Item	Available	Description	Qty*	Ref.	Maintenance kit	Wear part
98	◆	FULL SET OF JACKETED PUMP SCREWS	1	AUX310430		
98	◆	FULL SET OF PUMP SCREWS	1	AUX310429		
410		SCREW	(8)			
411		SCREW	(4)			
723		SCREW	(4)			
726		SCREW	(3)			
726A		SCREW	(3)			
729		SCREW	(2)			
730		NUT	(2)			
99	◆	SET OF PUMP SEALS - CVT	1	AUX310432	■	
99	◆	SET OF PUMP SEALS - FKM	1	AUX307094	■	
403		O-RING	(2)			●
417		SEAL	(2)			
602		SEAL	(1)			●
602A		SEAL	(1)			●
621		SEAL	(1)			
707		LIP SEAL	(1)			●
714		O-RING	(1)			●
716		LIP SEAL	(1)			●
727		SEAL	(1)			●
101	◆	BODY	1	AUX215134		
301	◆	ROTOR	1	AUX215135		
309	◆	SET OF 12 VANES TVP WITH HOLES	1	AUX307787	■	
309	◆	SET OF 12 VANES TVP	1	AUX307788	■	
317		VANE	(12)			●
325	◆	SET OF 6 PUSHRODS	1	AUX307085	■	
318		PUSHROD	(6)			●
400	◆	FRONT COVER COMPLETE	2	AUX309288		
400	◆	FRONT COVER COMPLETE - ENLARGED CLEARANCE	2	AUX312442		
401		FRONT COVER	(1)			
410		SCREW	(4)			
411		SCREW	(2)			
419		BUSHING SET	(1)			
407		BUSHING	(1)			●
408		FRONT COVER INSERT	(1)			
423		PIN	(1)			
400	◆	FRONT COVER COMPLETE - JACKETED PUMP	2	AUX309289		
400	◆	FRONT COVER COMPLETE - JACKETED PUMP - ENLARGED CLEARANCE	2	AUX312443		
401		FRONT COVER	(1)			
410		SCREW	(4)			
411		SCREW	(2)			
416		PLUG	(1)			
417		SEAL	(1)			
419		BUSHING SET	(1)			
407		BUSHING	(1)			●
408		FRONT COVER INSERT	(1)			
423		PIN	(1)			
409	◆	SET OF FRONT COVER O-RINGS - FKM	1	AUX304373	■	
409	◆	SET OF FRONT COVER O-RINGS - CVT	1	AUX309321	■	
403		O-RING	(2)			●
420	◆	SET OF CARBON BUSHINGS - ENLARGED CLEARANCE	1	AUX314369	■	
420	◆	SET OF CARBON BUSHINGS	1	AUX314368	■	
407		BUSHING	(2)			●
424	◆	SET OF CARBON DISCS	1	AUX310385		
422		FRONT COVER DISC	(2)			●

P40 BI

* 1, 2, 4... : Quantity in equipment - (1), (2), (4)... : Quantity in kit

Item	Available	Description	Qty*	Ref.	Maintenance kit	Wear part
500	◆	SHAFT COMPLETE FOR PUMP WITH PUSHRODS	1	AUX309319		
500	◆	SHAFT COMPLETE FOR PUMP WITHOUT PUSHRODS	1	AUX309290		
501		SHAFT	(1)			
599	◆	SET OF KEYS - PUMP WITH PUSHRODS	1	AUX310447		
599	◆	SET OF KEYS - PUMP WITHOUT PUSHRODS	1	AUX310446		
508		KEY	(1)			
536		KEY	(1/2)			
537		CIRCLIPS	(1)			
600B	◆	SHAFT SEALS STANDARDIZED IN ACCORDANCE M7N21_35 C CSSF	1	AUX311808	■	●
600B	◆	SHAFT SEALS STANDARDIZED IN ACCORDANCE M7N21_35 C CSSP	1	AUX310386	■	●
600B	◆	SHAFT SEALS STANDARDIZED IN ACCORDANCE M7N21_35 C CSCSF	1	AUX312022	■	●
600B	◆	SHAFT SEALS STANDARDIZED IN ACCORDANCE M7N21_35 C CSCSP	1	AUX311480	■	●
600C	◆	KIT 2 MECHANICAL SEAL AUX311808 M7N21_35 C 2CSSF	1	AUX315939	■	●
600C	◆	KIT 2 MECHANICAL SEAL AUX310386 M7N21_35 C 2CSSP	1	AUX315940	■	●
600C	◆	KIT 2 MECHANICAL SEAL AUX312022 M7N21_35 C 2CSCSF	1	AUX315941	■	●
600C	◆	KIT 2 MECHANICAL SEAL AUX311480 M7N21_35 C 2CSCSP	1	AUX315942	■	●
609B	◆	PGSN SHAFTSEAL HOLDER COMPLETE - CVT	1	AUX310390		
609B	◆	PGSN SHAFTSEAL HOLDER COMPLETE - FKM	1	AUX310387		
601		SHAFTSEAL HOLDER	(1)			
602		SEAL	(1)			●
602A		SEAL	(1)			●
627		PIN	(1)			
729		SCREW	(2)			
730		NUT	(2)			
609C	◆	PGDN SHAFTSEAL HOLDER COMPLETE - CVT	1	AUX310394		
609C	◆	PGDN SHAFTSEAL HOLDER COMPLETE - FKM	1	AUX310391		
601		SHAFTSEAL HOLDER	(1)			
602A		SEAL	(1)			●
603		SHAFTSEAL SEAT	(1)			
608		PIN	(1)			
621		SEAL	(1)			
627		PIN	(2)			
729		SCREW	(2)			
730		NUT	(2)			
640	◆	RESERVOIR GREASE COMPLETE	1	AUX310412		
643		SNIFTER VALVE	(1)			
644		GREASE NIPPLE	(1)			
645		COVER	(1)			
646		O-RING	(1)			●
647		LIP SEAL	(1)			●
700	◆	COMPLETE FROND COVER COVER - CVT	1	AUX310402		
700	◆	COMPLETE FROND COVER COVER - FKM	1	AUX310399		
712		FRONT COVER COVER	(1)			
714		O-RING	(1)			●
726A		SCREW	(3)			
704	◆	BALL BEARING KIT	1	AUX310411		
537		CIRCLIPS	(1)			
703		BALL BEARING	(1)			●
731		ROLLER BEARING SUPPORT WASHER	(2)			

P40 BI

* 1, 2, 4... : Quantity in equipment - (1), (2), (4)... : Quantity in kit

Item	Available	Description	Qty*	Ref.	Maintenance kit	Wear part
715	◆	SET OF SEALS + DIVERSE FOR OUTBOARD BEARING - CVT	1	AUX310440	■	
715	◆	SET OF SEALS + DIVERSE FOR OUTBOARD BEARING - FKM	1	AUX310437	■	
511		CIRCLIPS	(1)			
537		CIRCLIPS	(1)			
602		SEAL	(1)			●
602A		SEAL	(1)			●
608		PIN (FKM)	(1)			
621		SEAL	(1)			
627		PIN	(2)			
646		O-RING	(1)			●
647		LIP SEAL	(1)			●
707		LIP SEAL	(1)			●
716		LIP SEAL	(1)			●
727		SEAL	(1)			●
720	◆	OUTBOARD BEARING, COMPLETE - CVT - PGDN MECH SEAL	1	AUX310410	■	
720	◆	OUTBOARD BEARING, COMPLETE - FKM - PGDN MECH SEAL	1	AUX310407	■	
720	◆	OUTBOARD BEARING, COMPLETE - CVT - EXCEPT PGDN MECH SEALS	1	AUX310406	■	
720	◆	OUTBOARD BEARING, COMPLETE - FKM - EXCEPT PGDN MECH SEALS	1	AUX310403	■	
703		BALL BEARING	(1)			●
716		LIP SEAL	(1)			●
725		OUTBOARD BEARING	(1)			
726		SCREW	(3)			
727		SEAL	(1)			●
731		ROLLER BEARING SUPPORT WASHER	(2)			
740	◆	COVER COMPLETE	1	AUX310413		
705		COVER	(1)			
707		LIP SEAL	(1)			●
723		SCREW	(4)			
868	◆	COMPLETE STIRRUP - CVT	1	AUX310351		
868	◆	COMPLETE STIRRUP - FKM	1	AUX309315		
858	◆	O-RING FKM	2	AUX200795		●
858	◆	SEAL FEP-FKM	2	AUX215301		●
859A		WASHER	(1)			
859B		SCREW	(1)			
865		PLUG	(2)			
867		STIRRUP	(1)			

P40 BI

* 1, 2, 4... : Quantity in equipment - (1), (2), (4)... : Quantity in kit

Item	Available	Description	Qty*	Ref.	Maintenance kit	Wear part
Single bypass						
(without Spring 824 and without Complete plug 866) :						
820	◆	SINGLE BYPASS, COMPLETE (WITHOUT SPRING) - CVT	1	AUX319781		
820	◆	SINGLE BYPASS, COMPLETE (WITHOUT SPRING) - FKM	1	AUX319782		
108	◆	VALVE SEAT	1	AUX215407		
115		BYPASS ORIENTATION PLATE	(1)			
116		PIN	(2)			
125		SCREW	(1)			
801		BYPASS BODY	(1)			
823	◆	VALVE	1	AUX314456		
827		CAP	(1)			
858	◆	SEAL FEP-FKM	2	AUX211442		●
858	◆	SEAL FKM	2	AUX200912		●
858A		SEAL	(2)			●
859		SCREW	(2)			
891		SPACER	(2)			
898	◆	PRESSURE SCREW ASSEMBLY - CVT	1	AUX319778		
898	◆	PRESSURE SCREW ASSEMBLY - FKM	1	AUX319780		
807		SEAL	(1)			●
825		SPRING GUIDE	(1)			
826		ADJUSTING SCREW	(1)			
826A		WASHER	(1)			
831		PIN	(1)			
834		NUT	(1)			
835		NUT	(1)			
837		SEAL	(1)			●
856		SCREW	(3)			
824	◆	2_3,5 BAR SPRING	1	AUX215404		
824	◆	4_7 BAR SPRING	1	AUX215405		
824	◆	SPRING 7_12 BAR	1	AUX219068		
866	◆	COMPLETE PLUG	1	AUX309316	■	
850		SEAL	(1)			●
857		PLUG	(1)			
899	◆	SET OF SEALS + DIVERSE FOR BYPASS - CVT	1	AUX310444	■	
899	◆	SET OF SEALS + DIVERSE FOR BYPASS - FKM	1	AUX310441	■	
807		SEAL	(1)			●
831		PIN	(1)			
834		NUT	(1)			
835		NUT	(1)			
837		SEAL	(1)			●
850		SEAL	(1)			●
856		SCREW	(3)			
858	◆	SEAL FEP-FKM	2	AUX211442		●
858	◆	SEAL FKM	2	AUX200912		●
858A		SEAL	(2)			●
859		SCREW	(2)			

P40 BI

* 1, 2, 4... : Quantity in equipment - (1), (2), (4)... : Quantity in kit

Item	Available	Description	Qty*	Ref.	Maintenance kit	Wear part
Double bypass						
(without Spring 824 and without Complete plug 866) :						
820A	◆	DOUBLE BYPASS, COMPLETE (WITHOUT SPRING) - CVT	1	AUX319784		
820A	◆	DOUBLE BYPASS, COMPLETE (WITHOUT SPRING) - FKM	1	AUX319785		
108	◆	VALVE SEAT	2	AUX215407		
115		BYPASS ORIENTATION PLATE	(1)			
116		PIN	(2)			
125		SCREW	(2)			
801		DOUBLE BYPASS BODY	(1)			
823	◆	VALVE	2	AUX314456		
827		CAP	(2)			
858	◆	SEAL FEP-FKM	2	AUX211442		●
858	◆	SEAL FKM	2	AUX200912		●
858A		SEAL	(2)			●
859		SCREW	(2)			
891		SPACER	(2)			
898	◆	PRESSURE SCREW ASSEMBLY - CVT	2	AUX319778		
898	◆	PRESSURE SCREW ASSEMBLY - FKM	2	AUX319780		
807		SEAL	(1)			●
825		SPRING GUIDE	(1)			
826		ADJUSTING SCREW	(1)			
826A		WASHER	(1)			
831		PIN	(1)			
834		NUT	(1)			
835		NUT	(1)			
837		SEAL	(1)			●
856		SCREW	(3)			
824	◆	2_3,5 BAR SPRING	2	AUX215404		
824	◆	4_7 BAR SPRING	2	AUX215405		
824	◆	SPRING 7_12 BAR	2	AUX219068		
866	◆	COMPLETE PLUG	2	AUX309316	■	
850		SEAL	(1)			●
857		PLUG	(1)			
899	◆	SET OF SEALS + DIVERSE FOR BYPASS - CVT	2	AUX310444	■	
899	◆	SET OF SEALS + DIVERSE FOR BYPASS - FKM	2	AUX310441	■	
807		SEAL	(1)			●
831		PIN	(1)			
834		NUT	(1)			
835		NUT	(1)			
837		SEAL	(1)			●
850		SEAL	(1)			●
856		SCREW	(3)			
858	◆	SEAL FEP-FKM	2	AUX211442		●
858	◆	SEAL FKM	2	AUX200912		●
858A		SEAL	(2)			●
859		SCREW	(2)			

P60 BI

* 1, 2, 4... : Quantity in equipment - (1), (2), (4)... : Quantity in kit

Item	Available	Description	Qty*	Ref.	Maintenance kit	Wear part
98	◆	FULL SET OF JACKETED PUMP SCREWS	1	AUX310430		
98	◆	FULL SET OF PUMP SCREWS	1	AUX310429		
410		SCREW	(8)			
411		SCREW	(4)			
723		SCREW	(4)			
726		SCREW	(3)			
726A		SCREW	(3)			
729		SCREW	(2)			
730		NUT	(2)			
99	◆	SET OF PUMP SEALS - CVT	1	AUX312095	■	
99	◆	SET OF PUMP SEALS - FKM	1	AUX307207	■	
403		O-RING	(2)			●
602		SEAL (AUX307207)	(2)			●
602		SEAL (AUX312095)	(1)			●
602A		SEAL (AUX312095)	(1)			●
707		LIP SEAL	(1)			●
714		O-RING	(1)			●
716		LIP SEAL	(1)			●
727		SEAL	(1)			●
101	◆	BODY	1	AUX215147		
301	◆	ROTOR	1	AUX213415		
309	◆	SET OF 12 VANES TVP	1	AUX307677	■	
309	◆	SET OF 12 VANES TVP WITH HOLES	1	AUX307678	■	
317		VANE	(12)			●
325	◆	SET OF 6 PUSHRODS	1	AUX307202	■	
318		PUSHROD	(6)			●
400	◆	FRONT COVER COMPLETE	2	AUX310536		
400	◆	FRONT COVER COMPLETE - ENLARGED CLEARANCE	2	AUX312471		
401		FRONT COVER	(1)			
410		SCREW	(4)			
411		SCREW	(2)			
419		BUSHING SET	(1)			
407		BUSHING	(1)			●
408		FRONT COVER INSERT	(1)			
400	◆	FRONT COVER COMPLETE - JACKETED PUMP	2	AUX310537		
400	◆	FRONT COVER COMPLETE - JACKETED PUMP - ENLARGED CLEARANCE	2	AUX312472		
401		FRONT COVER	(1)			
410		SCREW	(4)			
411		SCREW	(2)			
416		PLUG	(2)			
417		SEAL WASHER	(2)			
419		BUSHING SET	(1)			
407		BUSHING	(1)			●
408		FRONT COVER INSERT	(1)			
409	◆	SET OF FRONT COVER O-RINGS - CVT	1	AUX312096	■	
409	◆	SET OF FRONT COVER O-RINGS - FKM	1	AUX304382	■	
403		O-RING	(2)			●
420	◆	SET OF CARBON BUSHINGS - ENLARGED CLEARANCE	1	AUX312887	■	
420	◆	SET OF CARBON BUSHINGS	1	AUX314113	■	
407		BUSHING	(2)			●
424	◆	SET OF CARBON DISCS	1	AUX310242		
422		FRONT COVER DISC	(2)			●

P60 BI

* 1, 2, 4... : Quantity in equipment - (1), (2), (4)... : Quantity in kit

Item	Available	Description	Qty*	Ref.	Maintenance kit	Wear part
500	◆	SHAFT COMPLETE FOR PUMP WITH PUSHRODS	1	AUX310543		
500	◆	SHAFT COMPLETE FOR PUMP WITHOUT PUSHRODS	1	AUX310542		
501		SHAFT	(1)			
599	◆	SET OF KEYS - PUMP WITH PUSHRODS	1	AUX310545		
599	◆	SET OF KEYS - PUMP WITHOUT PUSHRODS	1	AUX310544		
508		KEY	(1)			
536		KEY	(1/2)			
537		CIRCLIPS	(1)			
600B	◆	SHAFT SEALS STANDARDIZED IN ACCORDANCE M7N21_35 C CSSF	1	AUX311808	■	●
600B	◆	SHAFT SEALS STANDARDIZED IN ACCORDANCE M7N21_35 C CSSP	1	AUX310386	■	●
600B	◆	SHAFT SEALS STANDARDIZED IN ACCORDANCE M7N21_35 C CSCSF	1	AUX312022	■	●
600B	◆	SHAFT SEALS STANDARDIZED IN ACCORDANCE M7N21_35 C CSCSP	1	AUX311480	■	●
600C	◆	KIT 2 MECHANICAL SEAL AUX311808 M7N21_35 C 2CSSF	1	AUX315939	■	●
600C	◆	KIT 2 MECHANICAL SEAL AUX310386 M7N21_35 C 2CSSP	1	AUX315940	■	●
600C	◆	KIT 2 MECHANICAL SEAL AUX312022 M7N21_35 C 2CSCSF	1	AUX315941	■	●
600C	◆	KIT 2 MECHANICAL SEAL AUX311480 M7N21_35 C 2CSCSP	1	AUX315942	■	●
609B	◆	PGSN SHAFTSEAL HOLDER COMPLETE - CVT	1	AUX310390		
609B	◆	PGSN SHAFTSEAL HOLDER COMPLETE - FKM	1	AUX310387		
601		SHAFTSEAL HOLDER	(1)			
602		SEAL	(1)			●
602A		SEAL	(1)			●
627		PIN	(1)			
729		SCREW	(2)			
730		NUT	(2)			
609C	◆	PGDN SHAFTSEAL HOLDER COMPLETE - CVT	1	AUX310394		
609C	◆	PGDN SHAFTSEAL HOLDER COMPLETE - FKM	1	AUX310391		
601		SHAFTSEAL HOLDER	(1)			
602A		SEAL	(1)			●
603		SHAFTSEAL SEAT	(1)			
608		PIN	(1)			
621		SEAL	(1)			
627		PIN	(2)			
729		SCREW	(2)			
730		NUT	(2)			
640	◆	RESERVOIR GREASE COMPLETE	1	AUX310412		
643		SNIFTER VALVE	(1)			
644		GREASE NIPPLE	(1)			
645		COVER	(1)			
646		O-RING	(1)			●
647		LIP SEAL	(1)			●
700	◆	COMPLETE FROND COVER COVER - CVT	1	AUX310402		
700	◆	COMPLETE FROND COVER COVER - FKM	1	AUX310399		
712		FRONT COVER COVER	(1)			
714		O-RING	(1)			●
726A		SCREW	(3)			
704	◆	BALL BEARING KIT	1	AUX310411		
537		CIRCLIPS	(1)			
703		BALL BEARING	(1)			●
731		ROLLER BEARING SUPPORT WASHER	(2)			

P60 BI

* 1, 2, 4... : Quantity in equipment - (1), (2), (4)... : Quantity in kit

Item	Available	Description	Qty*	Ref.	Maintenance kit	Wear part
715	◆	SET OF SEALS + DIVERSE FOR OUTBOARD BEARING - CVT	1	AUX310440	■	
715	◆	SET OF SEALS + DIVERSE FOR OUTBOARD BEARING - FKM	1	AUX310437	■	
511		CIRCLIPS	(1)			
537		CIRCLIPS	(1)			
602		SEAL	(1)			●
602A		SEAL	(1)			●
608		PIN (FKM)	(1)			
621		SEAL	(1)			
627		PIN	(2)			
646		O-RING	(1)			●
647		LIP SEAL	(1)			●
707		LIP SEAL	(1)			●
716		LIP SEAL	(1)			●
727		SEAL	(1)			●
720	◆	OUTBOARD BEARING, COMPLETE - CVT - PGDN MECH SEAL	1	AUX310410	■	
720	◆	OUTBOARD BEARING, COMPLETE - FKM - PGDN MECH SEAL	1	AUX310407	■	
720	◆	OUTBOARD BEARING, COMPLETE - CVT - EXCEPT PGDN MECH SEALS	1	AUX310406	■	
720	◆	OUTBOARD BEARING, COMPLETE - FKM - EXCEPT PGDN MECH SEALS	1	AUX310403	■	
703		BALL BEARING	(1)			●
716		LIP SEAL	(1)			●
725		OUTBOARD BEARING	(1)			
726		SCREW	(3)			
727		SEAL	(1)			●
731		ROLLER BEARING SUPPORT WASHER	(2)			
740	◆	COVER COMPLETE	1	AUX310413		
705		COVER	(1)			
707		LIP SEAL	(1)			●
723		SCREW	(4)			
868	◆	COMPLETE STIRRUP - CVT	1	AUX314200		
868	◆	COMPLETE STIRRUP - FKM	1	AUX314197		
858	◆	SEAL FEP-FKM	2	AUX211442		●
858	◆	SEAL FKM	2	AUX200912		●
859A		WASHER	(1)			
859B		SCREW	(1)			
865		PLUG	(2)			
867		STIRRUP	(1)			

P60 BI

* 1, 2, 4... : Quantity in equipment - (1), (2), (4)... : Quantity in kit

Item	Available	Description	Qty*	Ref.	Maintenance kit	Wear part
Single bypass						
(without Spring 824 and without Complete plug 866) :						
820	◆	SINGLE BYPASS, COMPLETE (WITHOUT SPRING) - CVT	1	AUX319787		
820	◆	SINGLE BYPASS, COMPLETE (WITHOUT SPRING) - FKM	1	AUX319788		
108	◆	VALVE SEAT	1	AUX215407		
115		BYPASS ORIENTATION PLATE	(1)			
116		PIN	(2)			
125		SCREW	(1)			
801		BYPASS BODY	(1)			
823	◆	VALVE	1	AUX314456		
827		CAP	(1)			
858	◆	SEAL FEP-FKM	2	AUX211442		●
858	◆	SEAL FKM	2	AUX200912		●
859		SCREW	(2)			
898	◆	PRESSURE SCREW ASSEMBLY - CVT	1	AUX319778		
898	◆	PRESSURE SCREW ASSEMBLY - FKM	1	AUX319780		
807		SEAL	(1)			●
825		SPRING GUIDE	(1)			
826		ADJUSTING SCREW	(1)			
826A		WASHER	(1)			
831		PIN	(1)			
834		NUT	(1)			
835		NUT	(1)			
837		SEAL	(1)			●
856		SCREW	(3)			
824	◆	2_3,5 BAR SPRING	1	AUX215404		
824	◆	4,5_6,5 SPRING	1	AUX215405		
824	◆	SPRING 7_12 BAR	1	AUX219068		
866	◆	COMPLETE PLUG	1	AUX309316	■	
850		SEAL	(1)			●
857		PLUG	(1)			
899	◆	SET OF SEALS + DIVERSE FOR BYPASS - CVT	1	AUX314196	■	
899	◆	SET OF SEALS + DIVERSE FOR BYPASS - FKM	1	AUX310552	■	
807		SEAL	(1)			●
831		PIN	(1)			
834		NUT	(1)			
835		NUT	(1)			
837		SEAL	(1)			●
850		SEAL	(1)			●
852		O-RING	(1)			●
855		PIN	(1)			
856		SCREW	(3)			
858	◆	SEAL FEP-FKM	2	AUX211442		●
858	◆	SEAL FKM	2	AUX200912		●
859		SCREW	(2)			
893		NUT	(3)			

P60 BI

* 1, 2, 4... : Quantity in equipment - (1), (2), (4)... : Quantity in kit

Item	Available	Description	Qty*	Ref.	Maintenance kit	Wear part
Double bypass						
(without Spring 824 and without Complete plug 866) :						
820A	◆	DOUBLE BYPASS, COMPLETE (WITHOUT SPRING) - CVT	1	AUX319790		
820A	◆	DOUBLE BYPASS, COMPLETE (WITHOUT SPRING) - FKM	1	AUX319791		
108	◆	VALVE SEAT	2	AUX215407		
115		BYPASS ORIENTATION PLATE	(1)			
116		PIN	(2)			
125		SCREW	(2)			
801		DOUBLE BYPASS BODY	(1)			
823	◆	VALVE	2	AUX314456		
827		CAP	(2)			
858	◆	SEAL FEP-FKM	2	AUX211442		●
858	◆	SEAL FKM	2	AUX200912		●
859		SCREW	(2)			
898	◆	PRESSURE SCREW ASSEMBLY - CVT	2	AUX319778		
898	◆	PRESSURE SCREW ASSEMBLY - FKM	2	AUX319780		
807		SEAL	(1)			●
825		SPRING GUIDE	(1)			
826		ADJUSTING SCREW	(1)			
826A		WASHER	(1)			
831		PIN	(1)			
834		NUT	(1)			
835		NUT	(1)			
837		SEAL	(1)			●
856		SCREW	(3)			
824	◆	2_3,5 BAR SPRING	2	AUX215404		
824	◆	4,5_6,5 SPRING	2	AUX215405		
824	◆	SPRING 7_12 BAR	2	AUX219068		
866	◆	COMPLETE PLUG	2	AUX309316	■	
850		SEAL	(1)			●
857		PLUG	(1)			
899	◆	SET OF SEALS + DIVERSE FOR BYPASS - CVT	2	AUX314196	■	
899	◆	SET OF SEALS + DIVERSE FOR BYPASS - FKM	2	AUX310552	■	
807		SEAL	(1)			●
831		PIN	(1)			
834		NUT	(1)			
835		NUT	(1)			
837		SEAL	(1)			●
850		SEAL	(1)			●
852		O-RING	(1)			●
855		PIN	(1)			
856		SCREW	(3)			
858	◆	SEAL FEP-FKM	2	AUX211442		●
858	◆	SEAL FKM	2	AUX200912		●
859		SCREW	(2)			
893		NUT	(3)			