

PARTS LIST
PUMP
P100 BI

Keep this parts lists with Installation, Operation and Maintenance Instructions.

To order the required spare parts, indicate the desired Reference(s).

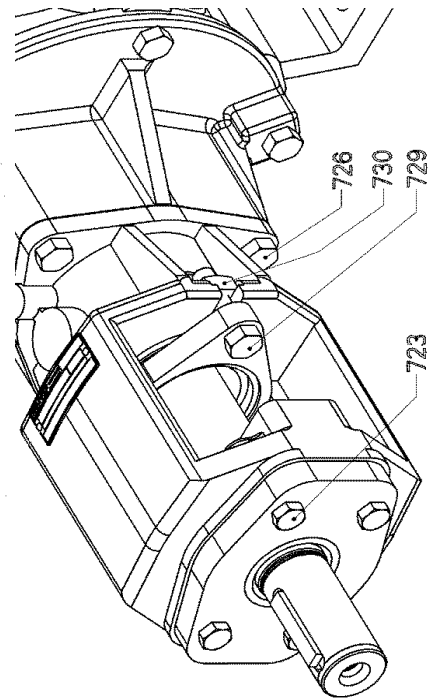
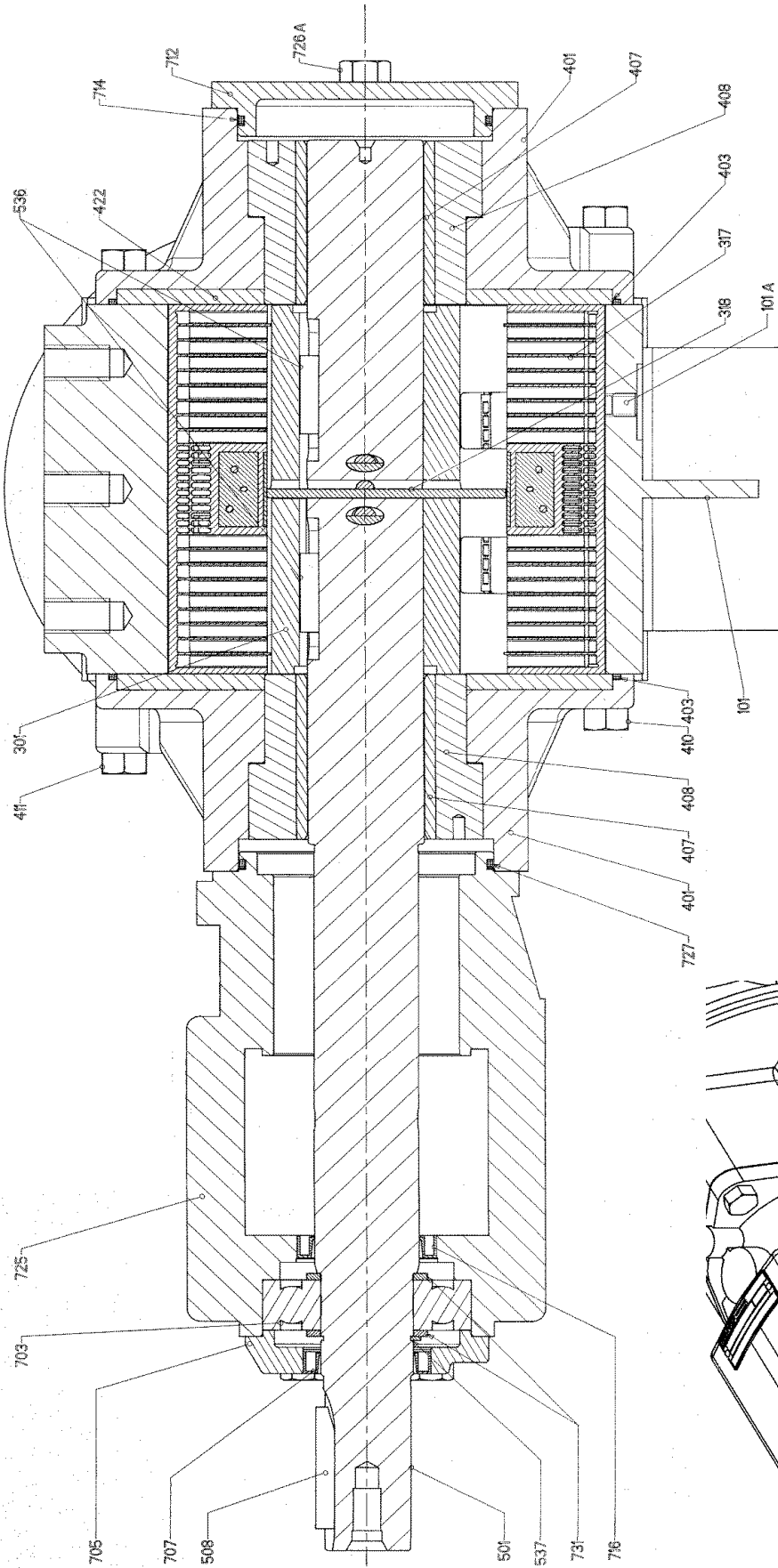
- ◆ Sets of parts or parts available to order.

CVT : FEP encapsulated FKM

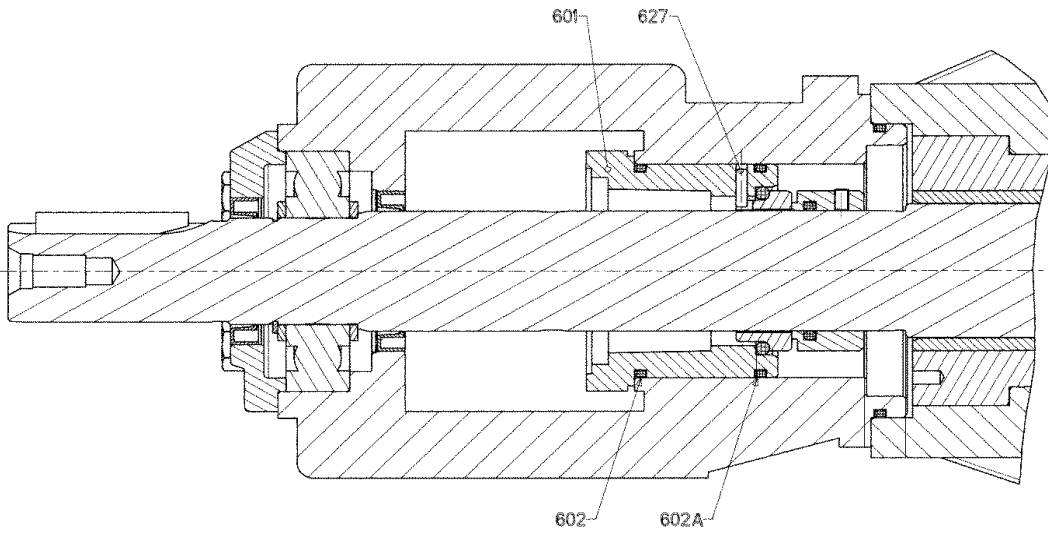
Z.I. la Plaine des Isles - 2 rue des Caillottes F-89000 AUXERRE - France

Tel : +33 (0)3 86 49 86 30 • Fax : +33 (0)3 86 49 87 17
contact.mouvex@psgdover.com • www.mouvex.com

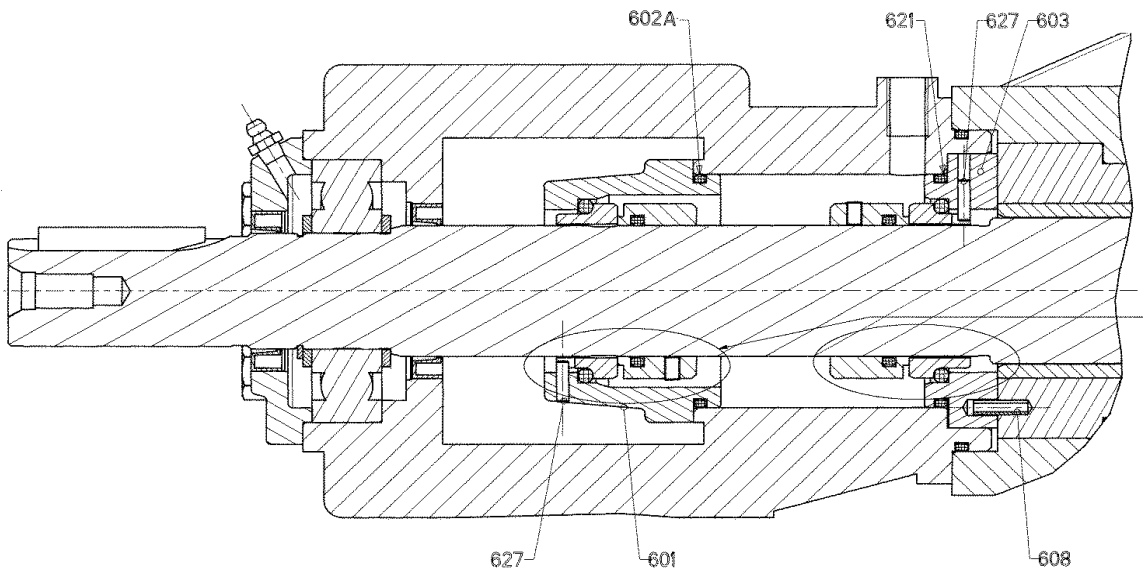
P100 BI



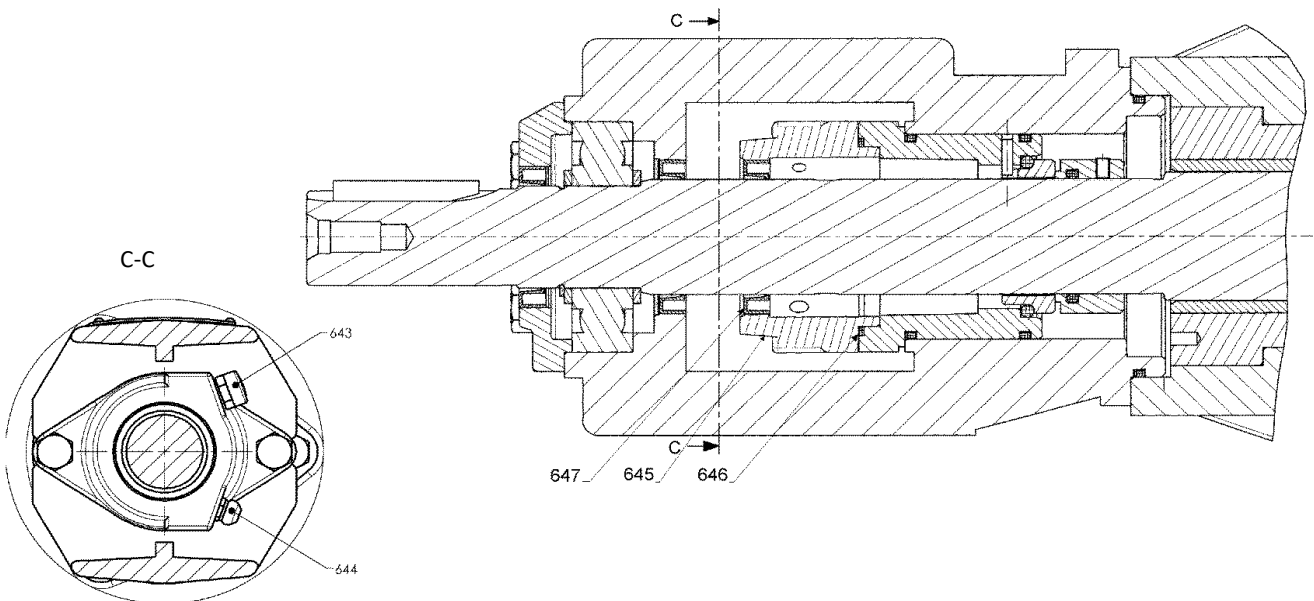
Shaftseal holder PGSN



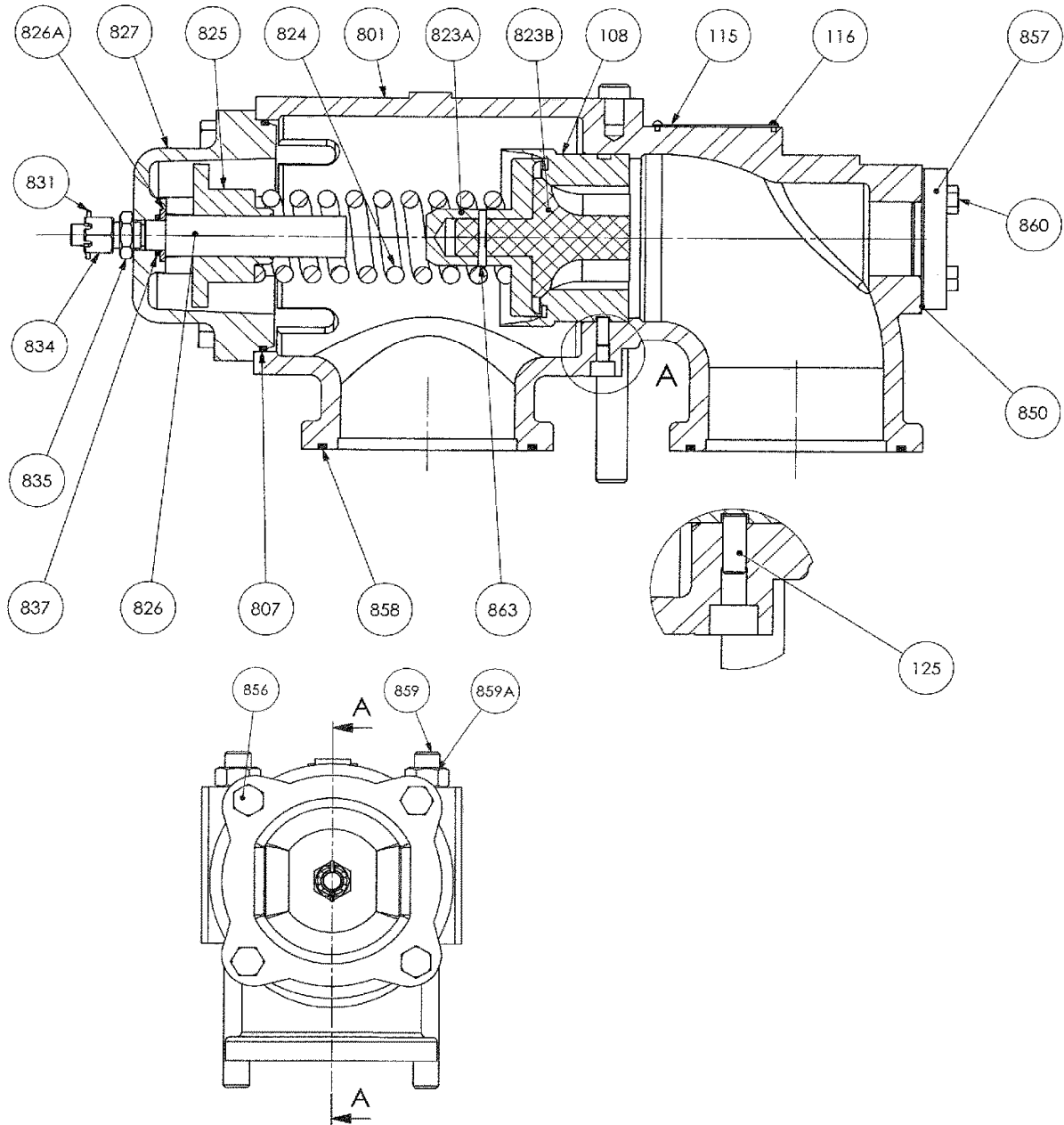
Shaftseal holder PGDN



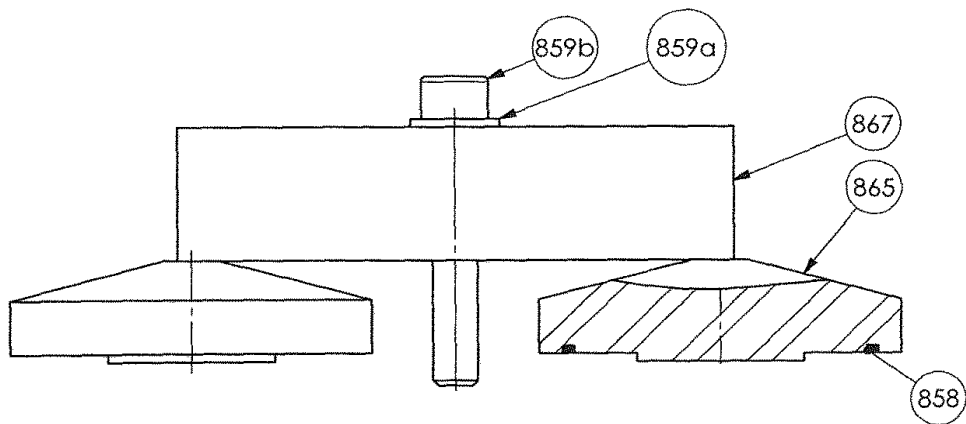
Grease container



Bypass



Stirrup



P100 BI

* 1, 2, 4... : Quantity in equipment - (1), (2), (4)... : Quantity in kit

Item	Available	Description	Qty*	Ref.	Maintenance kit	Wear part
98	◆	FULL SET OF PUMP SCREWS	1	AUX310449		
410		SCREW	(8)			
411		SCREW	(4)			
723		SCREW	(4)			
726		SCREW	(6)			
729		SCREW	(2)			
730		NUT	(2)			
99	◆	SET OF PUMP SEALS - CVT	1	AUX312460	■	
99	◆	SET OF PUMP SEALS - FKM	1	AUX307814	■	
403		O-RING	(2)			●
602		SEAL	(1)			●
602A		SEAL	(1)			●
621		SEAL	(1)			
707		LIP SEAL	(1)			●
714		SEAL	(1)			●
716		LIP SEAL	(1)			●
727		SEAL	(1)			●
101	◆	BODY	1	AUX215164		
301	◆	ROTOR	1	AUX215165		
309	◆	SET OF 12 VANES TVP	1	AUX307819	■	
309	◆	SET OF 12 VANES TVP WITH HOLES	1	AUX307820	■	
317		VANE	(12)			●
325	◆	SET OF 6 PUSHRODS	1	AUX307607	■	
318		PUSHROD	(6)			●
400	◆	FRONT COVER COMPLETE	2	AUX310454		
400	◆	FRONT COVER COMPLETE - ENLARGED CLEARANCE	2	AUX314057		
401		FRONT COVER	(1)			
410		SCREW	(4)			
411		SCREW	(2)			
419		BUSHING SET	(1)			
407		FRONT COVER BUSHING	(1)			●
408		FRONT COVER INSERT	(1)			
409	◆	SET OF FRONT COVER O-RINGS - CVT	1	AUX313797	■	
409	◆	SET OF FRONT COVER O-RINGS - FKM	1	AUX304442	■	
403		O-RING	(2)			●
420	◆	SET OF CARBON BUSHINGS	1	AUX314121	■	
420	◆	SET OF CARBON BUSHINGS - ENLARGED CLEARANCE	1	AUX312900	■	
407		FRONT COVER BUSHING	(2)			●
424	◆	SET OF CARBON DISCS	1	AUX310243		
422		FRONT COVER DISC	(2)			●
500	◆	SHAFT COMPLETE FOR PUMP WITH PUSHRODS	1	AUX310461		
500	◆	SHAFT COMPLETE FOR PUMP WITHOUT PUSHRODS	1	AUX310460		
501		SHAFT	(1)			
599	◆	SET OF KEYS - PUMP WITH PUSHRODS	1	AUX310522		
599	◆	SET OF KEYS - PUMP WITHOUT PUSHRODS	1	AUX310521		
508		KEY	(1)			
536		KEY	(1/2)			
537		RING	(1)			
600B	◆	SHAFT SEALS STANDARDIZED IN ACCORDANCE M7N21_45 C CSSF	1	AUX312498	■	●
600B	◆	SHAFT SEALS STANDARDIZED IN ACCORDANCE M7N21_45 C CSSP	1	AUX312499	■	●
600B	◆	SHAFT SEALS STANDARDIZED IN ACCORDANCE M7N21_45 C CSCSF	1	AUX314370	■	●
600B	◆	SHAFT SEALS STANDARDIZED IN ACCORDANCE M7N21_45 C CSCSP	1	AUX313865	■	●
600C	◆	KIT 2 MECHANICAL SEAL AUX312498 M7N21_45 C 2CSSF	1	AUX315955	■	●
600C	◆	KIT 2 MECHANICAL SEAL AUX312499 M7N21_45 C 2CSSP	1	AUX315956	■	●
600C	◆	KIT 2 MECHANICAL SEAL AUX314370 M7N21_45 C 2CSCSF	1	AUX315957	■	●
600C	◆	KIT 2 MECHANICAL SEAL AUX313865 M7N21_45 C 2CSCSP	1	AUX315958	■	●

P100 BI

* 1, 2, 4... : Quantity in equipment - (1), (2), (4)... : Quantity in kit

Item	Available	Description	Qty*	Ref.	Maintenance kit	Wear part
609B	◆	PGSN SHAFTSEAL HOLDER COMPLETE - CVT	1	AUX310465		
609B	◆	PGSN SHAFTSEAL HOLDER COMPLETE - FKM	1	AUX310463		
601		SHAFTSEAL HOLDER	(1)			
602		SEAL	(1)			●
602A		SEAL	(1)			●
627		PIN	(1)			
729		SCREW	(2)			
730		NUT	(2)			
609C	◆	PGDN SHAFTSEAL HOLDER COMPLETE - CVT	1	AUX310469		
609C	◆	PGDN SHAFTSEAL HOLDER COMPLETE - FKM	1	AUX310467		
601		SHAFTSEAL HOLDER	(1)			
602A		SEAL	(1)			●
603		SHAFTSEAL SEAT	(1)			
608		PIN	(1)			
621		SEAL	(1)			
627		PIN	(2)			
729		SCREW	(2)			
730		NUT	(2)			
640	◆	RESERVOIR GREASE COMPLETE	1	AUX310496		
643		SNIFTER VALVE	(1)			
644		GREASE NIPPLE	(1)			
645		COVER	(1)			
646		O-RING	(1)			●
647		LIP SEAL	(1)			●
700	◆	COMPLETE FROND COVER COVER - CVT	1	AUX310480		
700	◆	COMPLETE FROND COVER COVER - FKM	1	AUX310478		
712		FRONT COVER COVER	(1)			
714		SEAL	(1)			●
726A		SCREW	(3)			
704	◆	BALL BEARING KIT	1	AUX310495		
537		RING	(1)			
703		BALL BEARING	(1)			●
731		WASHER	(2)			
715	◆	SET OF SEALS + DIVERSE FOR OUTBOARD BEARING - CVT	1	AUX314070	■	
715	◆	SET OF SEALS + DIVERSE FOR OUTBOARD BEARING - FKM	1	AUX310483	■	
537		RING	(1)			
602		SEAL	(1)			●
602A		SEAL	(1)			●
608		PIN	(1)			
621		SEAL	(1)			
627		PIN	(2)			
646		SEAL	(1)			●
647		LIP SEAL	(1)			●
707		LIP SEAL	(1)			●
716		LIP SEAL	(1)			●
727		SEAL	(1)			●
720	◆	OUTBOARD BEARING, COMPLETE - CVT - PGDN MECH SEAL	1	AUX310493	■	
720	◆	OUTBOARD BEARING, COMPLETE - FKM - PGDN MECH SEAL	1	AUX310491	■	
720	◆	OUTBOARD BEARING, COMPLETE - CVT - PGSN MECH SEAL	1	AUX310489	■	
720	◆	OUTBOARD BEARING, COMPLETE - FKM - PGSN MECH SEAL	1	AUX310487	■	
703		BALL BEARING	(1)			●
716		LIP SEAL	(1)			●
725		OUTBOARD BEARING	(1)			
726		SCREW	(3)			
727		SEAL	(1)			●
731		WASHER	(2)			

P100 BI

* 1, 2, 4... : Quantity in equipment - (1), (2), (4)... : Quantity in kit

Item	Available	Description	Qty*	Ref.	Maintenance kit	Wear part
740	◆	COVER COMPLETE	1	AUX310497		
705		COVER	(1)			
707		LIP SEAL	(1)			●
723		SCREW	(4)			
Single bypass (without Spring 824) :						
820	◆	SINGLE BYPASS, COMPLETE (WITHOUT SPRING) 3_6 BAR - CVT	1	AUX310500		
820	◆	SINGLE BYPASS, COMPLETE (WITHOUT SPRING) 7_12 BAR - CVT	1	AUX314239		
820	◆	SINGLE BYPASS, COMPLETE (WITHOUT SPRING) 3_6 BAR - FKM	1	AUX310498		
820	◆	SINGLE BYPASS, COMPLETE (WITHOUT SPRING) 7_12 BAR - FKM	1	AUX314235		
108		VALVE SEAT	(1)			
115		BYPASS ORIENTATION PLATE	(1)			
116		PIN	(2)			
125		SCREW	(1)			
801		BYPASS BODY	(1)			
823	◆	VALVE - BYPASS SPRING 3_6 BAR	1	AUX215388		
823	◆	VALVE - BYPASS SPRING 7_12 BAR	1	AUX314456		
827		BYPASS CAP	(1)			
858	◆	SEAL CVT	2	AUX224056		●
858	◆	SEAL FKM	2	AUX205803		●
859		STUD	(2)			
859A		NUT	(2)			
866	◆	COMPLETE PLUG	1	AUX310507	■	
850		SEAL	(1)			●
857		PLUG	(1)			
860		SCREW	(4)			
898	◆	PRESSURE SCREW ASSEMBLY (WITHOUT SPRING) 3_6 BAR - CVT	1	AUX310525		
898	◆	PRESSURE SCREW ASSEMBLY (WITHOUT SPRING) 7_12 BAR - CVT	1	AUX314243		
898	◆	PRESSURE SCREW ASSEMBLY (WITHOUT SPRING) 3_6 BAR - FKM	1	AUX310523		
898	◆	PRESSURE SCREW ASSEMBLY (WITHOUT SPRING) 7_12 BAR - FKM	1	AUX314241		
807		SEAL	(1)			●
825		SPRING BASE	(1)			
826		ADJUSTING SCREW	(1)			
826A		WASHER	(1)			
831		PIN	(1)			
834		NUT	(1)			
835		NUT	(1)			
837		SEAL	(1)			●
856		SCREW	(4)			
824	◆	SPRING 3 BAR	1	AUX224641		
824	◆	SPRING 6 BAR	1	AUX224643		
824	◆	SPRING 7_12 BAR	1	AUX219068		
899	◆	SET OF SEALS + DIVERSE FOR 7_12 BAR BYPASS - CVT	1	AUX314253	■	
899	◆	SET OF SEALS + DIVERSE FOR 3_6 BAR BYPASS - CVT	1	AUX310518	■	
899	◆	SET OF SEALS + DIVERSE FOR 7_12 BAR BYPASS - FKM	1	AUX314251	■	
899	◆	SET OF SEALS + DIVERSE FOR 3_6 BAR BYPASS - FKM	1	AUX310516	■	
807		SEAL	(1)			●
831		PIN	(1)			
834		NUT	(1)			
835		NUT	(1)			
837		SEAL	(1)			●
850		SEAL	(1)			●
856		SCREW	(4)			
858	◆	SEAL CVT	2	AUX224056		●
858	◆	SEAL FKM	2	AUX205803		●
859		STUD	(2)			
859A		NUT	(2)			
860		SCREW	(4)			

P100 BI

* 1, 2, 4... : Quantity in equipment - (1), (2), (4)... : Quantity in kit

Item	Available	Description	Qty*	Ref.	Maintenance kit	Wear part
868	◆	COMPLETE STIRRUP - CVT	1	AUX314066		
868	◆	COMPLETE STIRRUP - FKM	1	AUX314064		
858	◆	SEAL CVT	2	AUX224056		●
858	◆	SEAL FKM	2	AUX205803		●
859A		WASHER	(1)			
859B		SCREW	(1)			
865		PLUG	(2)			
867		STIRRUP	(1)			