

PARTS LIST
PUMPS
CC20

Keep this parts lists with Installation, Operation and Maintenance Instructions.

To order the required spare parts, indicate the desired Reference(s).

- ◆ Sets of parts or parts available to order.

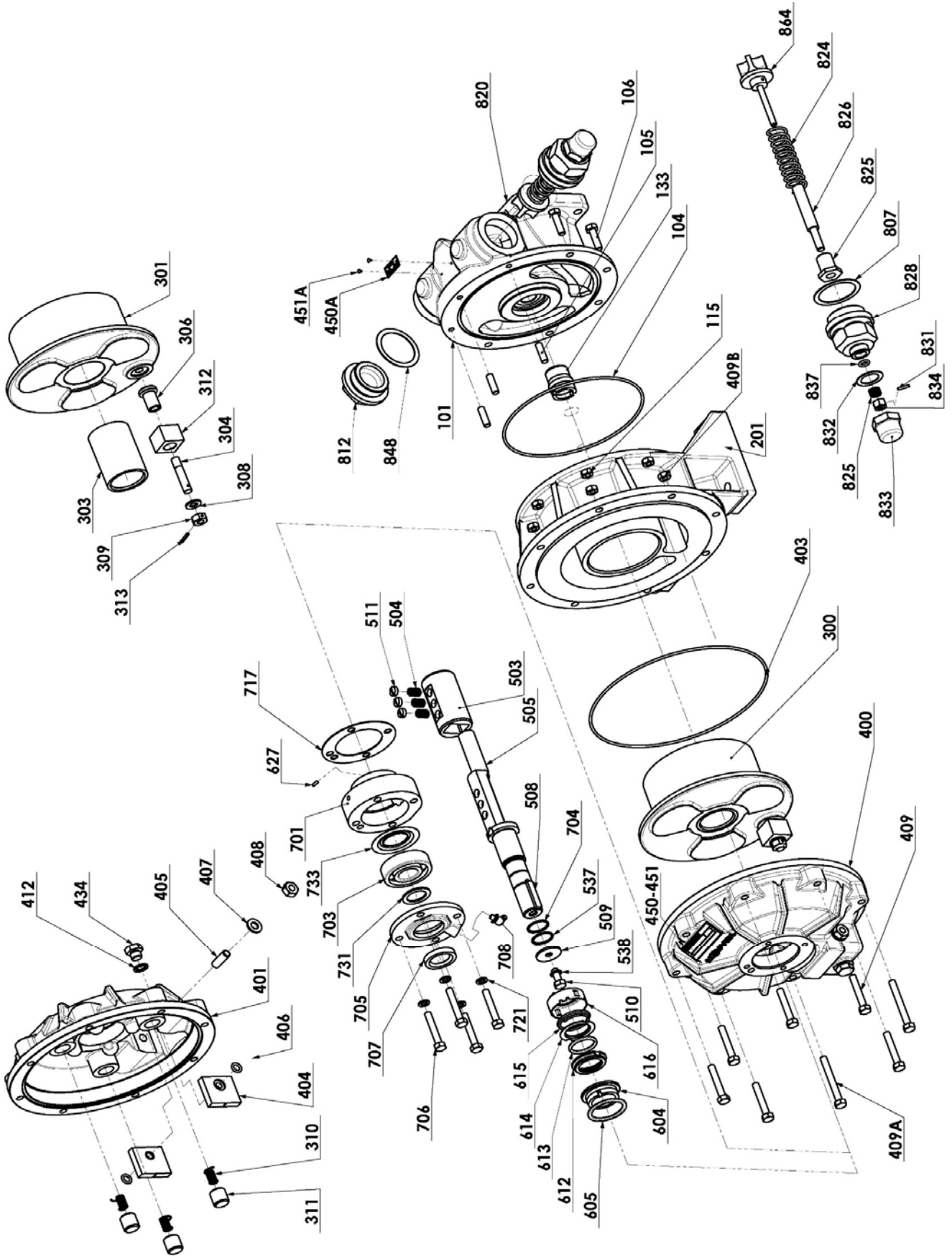
(1) CYLINDER and PISTON must be replaced TOGETHER.

(2) CRI : Carbon/Stainless steel

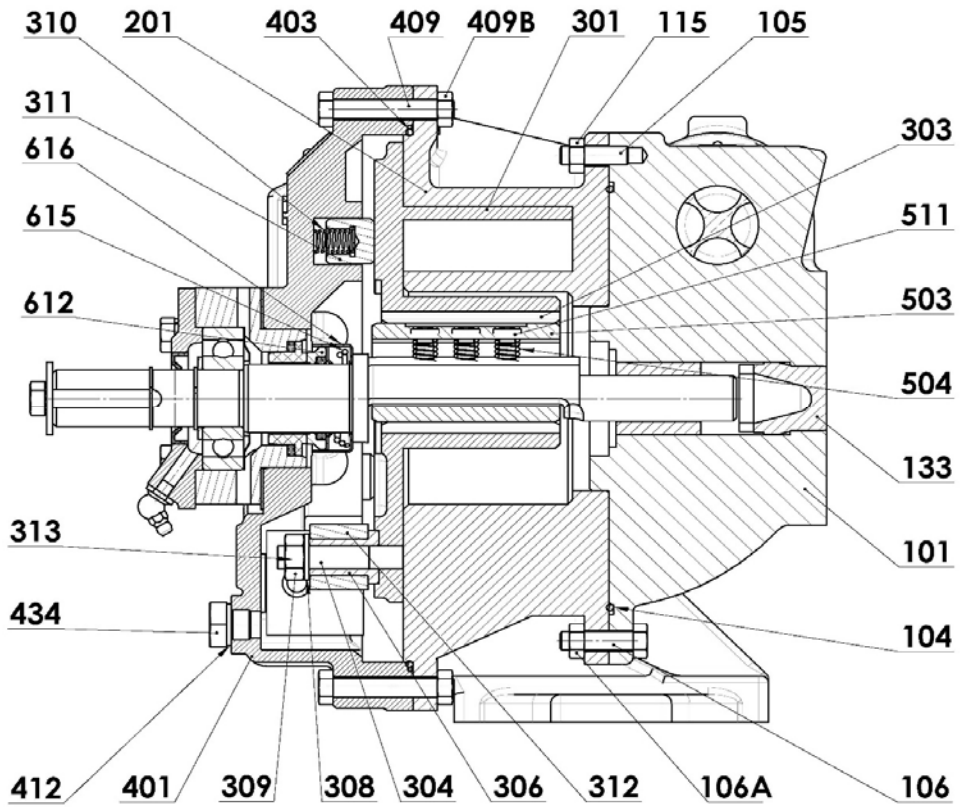
(3) LRB : Bronze/Stainless steel

CVT : FEP encapsulated FKM

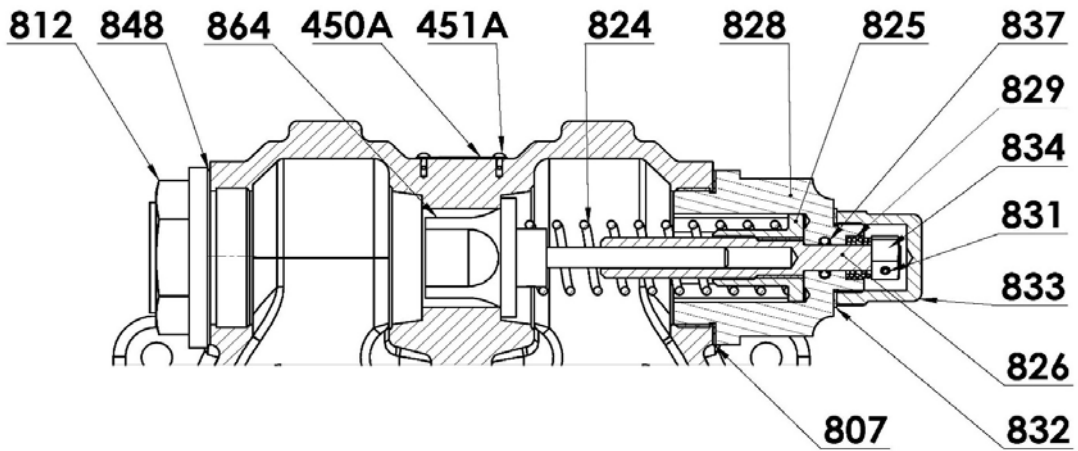
CC20



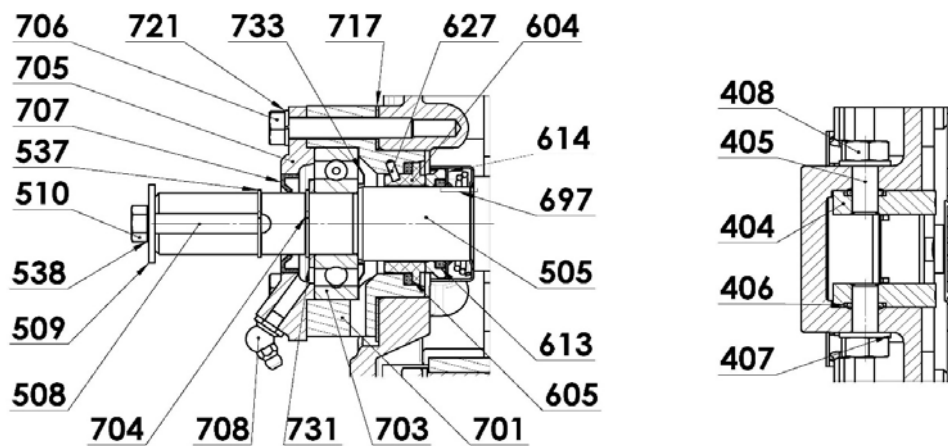
CC20



BYPASS

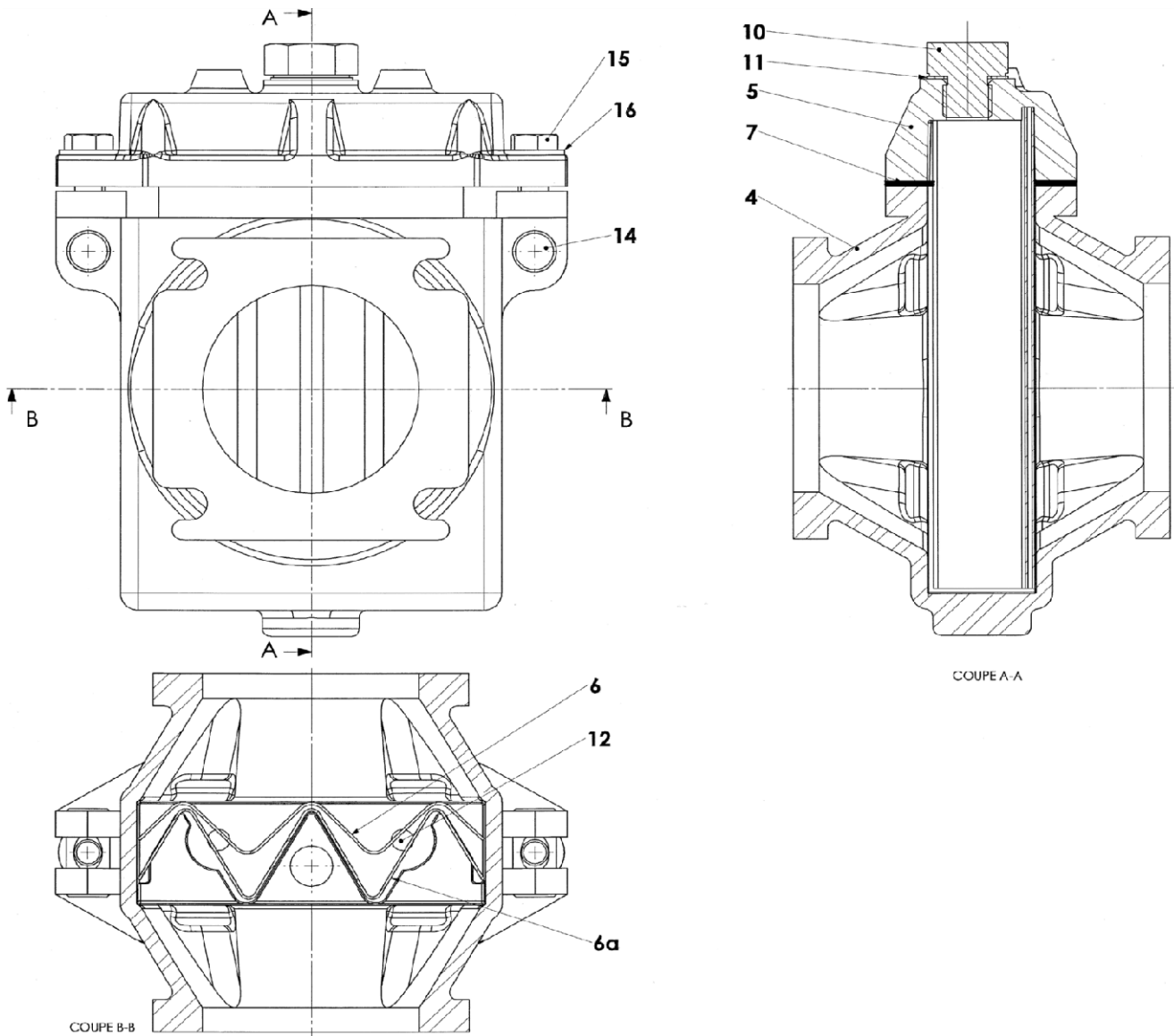


BALL BEARINGS

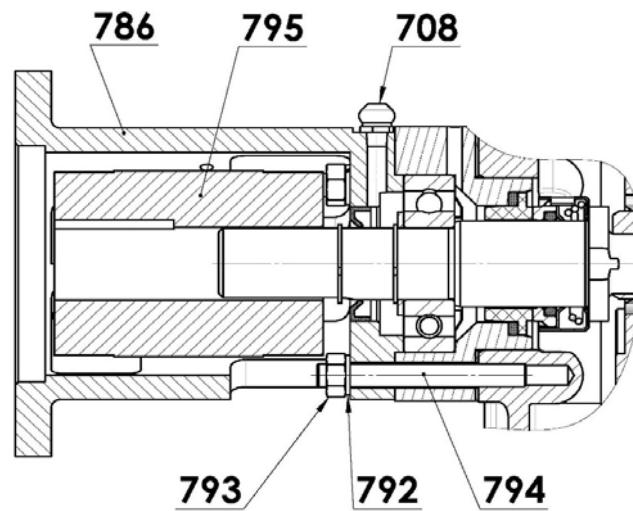


ACCESSORIES

Filter PF CC20



Hydraulic driving



CC20 A

* 1, 2, 4... : Quantity in equipment - (1), (2), (4)... : Quantity in kit

Item	Available	Description	Qty*	Ref.	Maintenance kit	Wear part
98	◆	FULL SET OF SCREWS	1	AUX301391		
105		STUD	(3)			
106		SCREW	(5)			
106A		NUT	(5)			
115		NUT	(3)			
409		SCREW	(6)			
409A		SCREW	(2)			
409B		NUT	(8)			
99	◆	SET OF PUMP SEALS	1	AUX302341	■	
104		O-RING	(1)			
403	◆	O-RING	1	AUX200837		
406		SEAL	(2)			
100	◆	CASING COMPLETE	1	AUX301380		
101		MAIN BODY	(1)			
103	◆	CARBON BUSHING	1	AUX213271	■	●
105		STUD	(3)			
115		NUT	(3)			
133	◆	OBTURATOR	1	AUX201505		
201 (1)	◆	CYLINDER	1	AUX231070	■	●
300 (1)	◆	COMPLETE PISTON	1	AUX301384	■	●
301O		PISTON & SLIDE BLOCK SHAFT	(1)			
303	◆	CARBON BUSHING	1	AUX211655	■	●
398O	◆	SLIDE BLOCK, COMPLETE	1	AUX305242		
307	◆	SLIDE BLOCK + PIN + BUSHING	1	AUX301386		
306		BUSHING	(1)			
312		SLIDE BLOCK	(1)			
313		PIN	(1)			
308		WASHER	(1)			
309		NUT	(1)			
398	◆	SLIDE BLOCK, COMPLETE	1	AUX301385		●
304		SLIDE BLOCK SHAFT	(1)			
307	◆	SLIDE BLOCK + PIN + BUSHING	1	AUX301386		
306		BUSHING	(1)			
312		SLIDE BLOCK	(1)			
313		PIN	(1)			
308		WASHER	(1)			
309		NUT	(1)			
399	◆	GUIDE BLOCK, COMPLETE	1	AUX301387		
310		SPRING BACK PISTON	(3)			
311		PUSHER	(3)			●
400	◆	COMPLETE FRONT COVER	1	AUX301390		
401		FRONT COVER	(1)			
402	◆	FRONT BUSHING SET	1	AUX300010		●
404		GUIDE	(2)			
405		STUD	(2)			
406		SEAL	(2)			
407		WASHER	(2)			
408		NUT	(2)			
411	◆	PLUG + SEAL	1	AUX316156		
412		SEAL	(1)			
434		PLUG	(1)			
403	◆	O-RING	1	AUX200837		

CC20 A

* 1, 2, 4... : Quantity in equipment - (1), (2), (4)... : Quantity in kit

Item	Available	Description	Qty*	Ref.	Maintenance kit	Wear part
500	◆	SHAFT COMPLETE	1	AUX316168	■	
503	◆	PISTON BEARING	1	AUX229295		●
505		SHAFT	(1)			
598	◆	BEARING SPRING COMPLETE	1	AUX300144		
504		SPRING	(3)			
511		SCREW	(3)			
599	◆	COMPLETE KEY	1	AUX301618		
508	◆	KEY	1	AUX203855		
509		WASHER	(1)			
510		SCREW	(1)			
537		CIRCLIPS	(1)			
538		WASHER	(1)			
500	◆	HYDRAULIC SHAFT COMPLETE	1	AUX316170	■	
503	◆	PISTON BEARING	1	AUX229295		●
505		SHAFT	(1)			
598	◆	BEARING SPRING COMPLETE	1	AUX300144		
504		SPRING	(3)			
511		SCREW	(3)			
599	◆	COMPLETE KEY CC20 HYDRAULIC	1	AUX316154		
508	◆	KEY	1	AUX203855		
537		CIRCLIPS	(1)			
600 (2)	◆	MECHANICAL SEAL - BLOCDIR CRI VT	1	AUX300055	■	
610		STATIONARY SEAL FACE COMPLETE	(1)			
604		STATIONARY SEAL FACE	(1)			
605		O-RING	(1)			
697		ROTATING PART	(1)			●
612		SEAL HOUSING	(1)			●
613		O-RING	(1)			
614		SPRING GUIDE	(1)			
615		SPRING	(1)			
616		CAGE	(1)			
698	◆	FULL SET OF MOUNTING SCREWS	1	AUX300043		
706		SCREW	(4)			
721		WASHER	(4)			
699	◆	SET OF MECHANICAL SEAL O-RINGS	1	AUX300059		
605		O-RING	(1)			
613		O-RING	(1)			

CC20 A

* 1, 2, 4... : Quantity in equipment - (1), (2), (4)... : Quantity in kit

Item	Available	Description	Qty*	Ref.	Maintenance kit	Wear part
700	◆	BALL BEARINGS COMPLETE	1	AUX301392		
627	◆	PIN	1	AUX200139		
701		BEARING CAGE	(1)			
703	◆	BALL BEARING	1	AUX212312		●
705		BEARING COVER	(1)			
706		SCREW	(4)			
708		GREASE NIPPLE	(1)			
721		WASHER	(4)			
797	◆	BALL BEARING WASHERS AND GASKET SET	1	AUX300148		
704		RING	(1)			
707		LIP SEAL	(1)			
717		SEAL	(1)			
731		WASHER	(1)			
733		NILOS RING	(1)			
700	◆	HYDRAULIC BALL BEARING COMPLETE	1	AUX316152		
627	◆	PIN	1	AUX200139		
701		BEARING CAGE	(1)			
703	◆	BALL BEARING	1	AUX212312		●
797	◆	BALL BEARING WASHERS AND GASKET SET	1	AUX316160		
704		RING	(1)			
717		SEAL	(1)			
731		WASHER	(1)			
733		METALLIC SEAL	(1)			
820	◆	BYPASS COMPLETE	1	AUX301399		
812		PLUG	(1)			
824	◆	VALVE SPRING N°3	1	AUX201133		
848		SEAL	(1)			
869	◆	BYPASS CAP COMPLETE	1	AUX300174		
832		SEAL	(1)			
833		BYPASS CAP	(1)			
897	◆	ADJUSTING SCREW_VALVE SET	1	AUX301630		
807		SEAL	(1)			
825		SPRING GUIDE	(1)			
826		ADJUSTING SCREW	(1)			
828		NUT	(1)			
829		SPRING	(1)			
831		PIN	(1)			
834		NUT	(1)			
837		SEAL	(1)			
864	◆	COMPENSATED VALVE	1	AUX201572		
899	◆	SET OF BYPASS SEALS	1	AUX301396	■	
807		SEAL	(1)			
829		SPRING	(1)			
831		PIN	(1)			
832		SEAL	(1)			
837		SEAL	(1)			
848		SEAL	(1)			

CC20 WATER

* 1, 2, 4... : Quantity in equipment - (1), (2), (4)... : Quantity in kit

Item	Available	Description	Qty*	Ref.	Maintenance kit	Wear part
98	◆	FULL SET OF SCREWS	1	AUX301391		
105		STUD	(3)			
106		SCREW	(5)			
106A		NUT	(5)			
115		NUT	(3)			
409		SCREW	(6)			
409A		SCREW	(2)			
409B		NUT	(8)			
99	◆	SET OF PUMP SEALS	1	AUX302340	■	
104		O-RING	(1)			
403		O-RING	(1)			
406		SEAL	(2)			
100	◆	MAIN BODY, COMPLETE	1	AUX310382		
101		MAIN BODY	(1)			
103	◆	CARBON BUSHING	1	AUX213271	■	●
105		STUD	(3)			
115		NUT	(3)			
133	◆	OBTURATOR	1	AUX201505		
201 (1)	◆	CYLINDER	1	AUX231070	■	●
300 (1)	◆	COMPLETE PISTON	1	AUX310381	■	●
301O		PISTON & SLIDE BLOCK SHAFT	(1)			
303	◆	CARBON BUSHING	1	AUX211655	■	●
398O	◆	SLIDE BLOCK, COMPLETE	1	AUX305243		
307	◆	SLIDE BLOCK + PIN + BUSHING	1	AUX301418		
306		BUSHING	(1)			
312		SLIDE BLOCK	(1)			
313		PIN	(1)			
308		WASHER	(1)			
309		NUT	(1)			
398	◆	SLIDE BLOCK, COMPLETE	1	AUX301417		●
304		SLIDE BLOCK SHAFT	(1)			
307	◆	SLIDE BLOCK + PIN + BUSHING	1	AUX301418		
306		BUSHING	(1)			
312		SLIDE BLOCK	(1)			
313		PIN	(1)			
308		WASHER	(1)			
309		NUT	(1)			
399	◆	GUIDE BLOCK, COMPLETE	1	AUX301419		
310		SPRING	(3)			
311		PUSHER	(3)			●
400	◆	FRONT COVER COMPLETE	1	AUX301420		
401		FRONT COVER	(1)			
402	◆	FRONT BUSHING SET	1	AUX300024		●
404		GUIDE	(2)			
405		STUD	(2)			
406		SEAL	(2)			
407		WASHER	(2)			
408		NUT	(2)			
411	◆	SET OF PLUGS & GASKETS	1	AUX302706		
412		SEAL	(2)			
434		PLUG	(2)			
403	◆	O-RING	1	AUX200864		

CC20 WATER

* 1, 2, 4... : Quantity in equipment - (1), (2), (4)... : Quantity in kit

Item	Available	Description	Qty*	Ref.	Maintenance kit	Wear part
500	◆	SHAFT COMPLETE	1	AUX301422	■	
500	◆	HYDRAULIC SHAFT COMPLETE	1	AUX316309	■	●
503	◆	PISTON BEARING	1	AUX203568		●
505		SHAFT	(1)			
598	◆	BEARING SPRING COMPLETE	1	AUX300144		
504		SPRING	(3)			
511		SCREW	(3)			
599	◆	COMPLETE KEY	1	AUX301618		
508	◆	KEY	1	AUX203855		
509		WASHER	(1)			
510		SCREW	(1)			
537		CIRCLIPS	(1)			
538		WASHER	(1)			
600	◆	MECHANICAL SEAL - BLOCDIR	1	AUX300046	■	
610		STATIONARY SEAL FACE COMPLETE	(1)			
604		STATIONARY SEAL FACE	(1)			
605		O-RING	(1)			
697		ROTATING PART	(1)			●
612		SEAL HOUSING	(1)			●
613		SEAL	(1)			
614		SPRING GUIDE	(1)			
615		SPRING	(1)			
616		CAGE	(1)			
698	◆	FULL SET OF MOUNTING SCREWS	1	AUX300043		
706		SCREW	(4)			
721		WASHER	(4)			
699	◆	SET OF MECHANICAL SEAL O-RINGS PB	1	AUX300044		
605		O-RING	(1)			
613		SEAL	(1)			
704		RING	(1)			
700	◆	BALL BEARINGS COMPLETE	1	AUX301392		
627	◆	PIN	1	AUX200139		
701		BEARING CAGE	(1)			
703	◆	BALL BEARING	1	AUX212312		●
705		BEARING COVER	(1)			
706		SCREW	(4)			
708		GREASE NIPPLE	(1)			
721		WASHER	(4)			
797	◆	BALL BEARING WASHERS AND GASKET SET	1	AUX300148		
704		RING	(1)			
707		LIP SEAL	(1)			
717		SEAL	(1)			
731		WASHER	(1)			
733		METALLIC SEAL	(1)			
700	◆	HYDRAULIC BALL BEARING COMPLETE	1	AUX316152		
627	◆	PIN	1	AUX200139		
701		BEARING CAGE	(1)			
703	◆	BALL BEARING	1	AUX212312		●
797	◆	BALL BEARING WASHERS AND GASKET SET	1	AUX316160		
704		RING	(1)			
717		SEAL	(1)			
731		WASHER	(1)			
733		METALLIC SEAL	(1)			

CC20 WATER

* 1, 2, 4... : Quantity in equipment - (1), (2), (4)... : Quantity in kit

Item	Available	Description	Qty*	Ref.	Maintenance kit	Wear part
820	◆	BYPASS COMPLETE	1	AUX302492		
812		PLUG	(1)			
824	◆	SPRING N°2	1	AUX201189		
848		SEAL	(1)			
869	◆	BYPASS CAP COMPLETE	1	AUX300174		
832		SEAL	(1)			
833		BYPASS CAP	(1)			
897	◆	ADJUSTING SCREW_VALVE SET	1	AUX302705		
807		SEAL	(1)			
823		COMPENSATED VALVE	(1)			
825		SPRING GUIDE	(1)			
826		ADJUSTING SCREW	(1)			
828		NUT	(1)			
829		SPRING	(1)			
831		PIN	(1)			
834		NUT	(1)			
837		SEAL	(1)			
899	◆	SET OF BYPASS SEALS	1	AUX301394	■	
807		SEAL	(1)			
829		SPRING	(1)			
831		PIN	(1)			
832		SEAL	(1)			
837		SEAL	(1)			
848		SEAL	(1)			

CC20 SOLVENTS

* 1, 2, 4... : Quantity in equipment - (1), (2), (4)... : Quantity in kit

Item	Available	Description	Qty*	Ref.	Maintenance kit	Wear part
98	◆	FULL SET OF SCREWS	1	AUX301391		
105		STUD	(3)			
106		SCREW	(5)			
106A		NUT	(5)			
115		NUT	(3)			
409		SCREW	(6)			
409A		SCREW	(2)			
409B		NUT	(8)			
99	◆	SET OF PUMP SEALS	1	AUX302341		
104		O-RING	(1)			
403		O-RING	(1)			
406		SEAL	(2)			
100	◆	CASING COMPLETE	1	AUX308720		
101		MAIN BODY	(1)			
103	◆	CARBON BUSHING	1	AUX213271	■	●
105		STUD	(3)			
115		NUT	(3)			
133	◆	OBTURATOR	1	AUX201505		
201 (1)	◆	CYLINDER	1	AUX231070	■	●
300 (1)	◆	COMPLETE PISTON	1	AUX309168	■	●
301O		PISTON & SLIDE BLOCK SHAFT	(1)			
303	◆	CARBON BUSHING	1	AUX211655	■	●
398O	◆	SLIDE BLOCK, COMPLETE	1	AUX305243		
307	◆	SLIDE BLOCK + PIN + BUSHING	1	AUX301418		
306		BUSHING	(1)			
312		SLIDE BLOCK	(1)			
313		PIN	(1)			
308		WASHER	(1)			
309		NUT	(1)			
398	◆	SLIDE BLOCK, COMPLETE	1	AUX301417		●
304		SLIDE BLOCK SHAFT	(1)			
307	◆	SLIDE BLOCK + PIN + BUSHING	1	AUX301418		
306		BUSHING	(1)			
312		SLIDE BLOCK	(1)			
313		PIN	(1)			
308		WASHER	(1)			
309		NUT	(1)			
399	◆	GUIDE BLOCK, COMPLETE	1	AUX301419		
310		SPRING	(3)			
311		PUSHER	(3)			●
400	◆	FRONT COVER COMPLETE	1	AUX301421		
401		FRONT COVER	(1)			
402	◆	FRONT BUSHING SET	1	AUX300025		●
404		GUIDE	(2)			
405		STUD	(2)			
406		SEAL	(2)			
407		WASHER	(2)			
408		NUT	(2)			
411	◆	SET OF PLUGS & GASKETS	1	AUX302706		
412		SEAL	(2)			
434		PLUG	(2)			
403	◆	O-RING	1	AUX200837		

CC20 SOLVENTS

* 1, 2, 4... : Quantity in equipment - (1), (2), (4)... : Quantity in kit

Item	Available	Description	Qty*	Ref.	Maintenance kit	Wear part
500	◆	SHAFT COMPLETE	1	AUX305906	■	
500	◆	HYDRAULIC SHAFT COMPLETE	1	AUX316308	■	
503	◆	PISTON BEARING	1	AUX203570		●
505		SHAFT	(1)			
598	◆	BEARING SPRING COMPLETE	1	AUX300144		
504		SPRING	(3)			
511		SCREW	(3)			
599	◆	COMPLETE KEY	1	AUX301618		
508	◆	KEY	1	AUX203855		
509		WASHER	(1)			
510		SCREW	(1)			
537		CIRCLIPS	(1)			
538		WASHER	(1)			
600 (3)	◆	MECHANICAL SEAL - BLOCDIR LRB CVT	1	AUX306327	■	
610		STATIONARY SEAL FACE	(1)			
604		STATIONARY SEAL FACE	(1)			
605		SEAL	(1)			
619		BUSHING FOR FEP-FKM MECHANICAL SEAL	(1)			
697		ROTATING PART	(1)			●
612		SEAL HOUSING	(1)			●
613		SEAL	(1)			
614		SPRING GUIDE	(1)			
615		SPRING	(1)			
616		CAGE	(1)			
698	◆	FULL SET OF MOUNTING SCREWS	1	AUX300043		
706		SCREW	(4)			
721		WASHER	(4)			
700	◆	BALL BEARINGS COMPLETE	1	AUX301392		
627	◆	PIN	1	AUX200139		
701		BEARING CAGE	(1)			
703	◆	BALL BEARING	1	AUX212312		●
705		BEARING COVER	(1)			
706		SCREW	(4)			
708		GREASE NIPPLE	(1)			
721		WASHER	(4)			
797	◆	BALL BEARING WASHERS AND GASKET SET	1	AUX300148		
704		RING	(1)			
707		LIP SEAL	(1)			
717		SEAL	(1)			
731		WASHER	(1)			
733		NILOS RING	(1)			
700	◆	HYDRAULIC BALL BEARING COMPLETE	1	AUX316152		
627	◆	PIN	1	AUX200139		
701		BEARING CAGE	(1)			
703	◆	BALL BEARING	1	AUX212312		●
797	◆	BALL BEARING WASHERS AND GASKET SET	1	AUX316160		
704		RING	(1)			
717		SEAL	(1)			
731		WASHER	(1)			
733		METALLIC SEAL	(1)			

CC20 SOLVENTS

* 1, 2, 4... : Quantity in equipment - (1), (2), (4)... : Quantity in kit

Item	Available	Description	Qty*	Ref.	Maintenance kit	Wear part
820	◆	BYPASS COMPLETE	1	AUX302493		
812		PLUG	(1)			
824	◆	SPRING N°3	1	AUX201190		
848		SEAL	(1)			
869	◆	BYPASS CAP COMPLETE	1	AUX300174		
832		SEAL	(1)			
833		BYPASS CAP	(1)			
898	◆	ADJUSTING SCREW VALVE COMPLETE	1	AUX305022		
807		SEAL	(1)			
825		SPRING GUIDE	(1)			
826		ADJUSTING SCREW	(1)			
828		NUT	(1)			
829		SPRING	(1)			
831		PIN	(1)			
834		NUT	(1)			
837		SEAL	(1)			
864	◆	COMPLETE VALVE	1	AUX300181		
863		PIN	(1)			
8640		COMPLETE VALVE	(1)			
899	◆	SET OF BYPASS SEALS	1	AUX301396	■	
807		SEAL	(1)			
829		SPRING	(1)			
831		PIN	(1)			
832		SEAL	(1)			
837		SEAL	(1)			
848		SEAL	(1)			

CC20 SRRHU

* 1, 2, 4... : Quantity in equipment - (1), (2), (4)... : Quantity in kit

Item	Available	Description	Qty*	Ref.	Maintenance kit	Wear part
98	◆	FULL SET OF SCREWS	1	AUX301391		
105		STUD	(3)			
106		SCREW	(5)			
106A		NUT	(5)			
115		NUT	(3)			
409		SCREW	(6)			
409A		SCREW	(2)			
409B		NUT	(8)			
99	◆	SET OF PUMP SEALS	1	AUX302340		
104		O-RING	(1)			
403		O-RING	(1)			
406		SEAL	(2)			
100	◆	CASING COMPLETE	1	AUX312343		
101		MAIN BODY	(1)			
103	◆	BRONZE BUSHING	1	AUX203536	■	●
105		STUD	(3)			
115		NUT	(3)			
133	◆	OBTURATOR	1	AUX201505		
201 (1)	◆	CYLINDER	1	AUX231070	■	●
300 (1)	◆	COMPLETE PISTON	1	AUX312344	■	●
301O		PISTON & SLIDE BLOCK SHAFT	(1)			
303	◆	BRONZE BUSHING	1	AUX219638	■	●
398O	◆	SLIDE BLOCK, COMPLETE	1	AUX305242		
307	◆	SLIDE BLOCK + PIN + BUSHING	1	AUX301386		
306		BUSHING	(1)			
312		SLIDE BLOCK	(1)			
313		PIN	(1)			
308		WASHER	(1)			
309		NUT	(1)			
398	◆	SLIDE BLOCK, COMPLETE	1	AUX301385		●
304		SLIDE BLOCK SHAFT	(1)			
307	◆	SLIDE BLOCK + PIN + BUSHING	1	AUX301386		
306		BUSHING	(1)			
312		SLIDE BLOCK	(1)			
313		PIN	(1)			
308		WASHER	(1)			
309		NUT	(1)			
399	◆	GUIDE BLOCK, COMPLETE	1	AUX301387		
310		SPRING BACK PISTON	(3)			
311		PUSHER	(3)			●
400	◆	COMPLETE FRONT COVER	1	AUX301388		
401		FRONT COVER	(1)			
402	◆	FRONT BUSHING SET	1	AUX300005		●
404		GUIDE	(2)			
405		STUD	(2)			
406		SEAL	(2)			
407		WASHER	(2)			
408		NUT	(2)			
411	◆	PLUG + SEAL	1	AUX316156		
412		SEAL	(1)			
434		PLUG	(1)			
403	◆	O-RING	1	AUX200864		

CC20 SRRHU

* 1, 2, 4... : Quantity in equipment - (1), (2), (4)... : Quantity in kit

Item	Available	Description	Qty*	Ref.	Maintenance kit	Wear part
500	◆	SHAFT COMPLETE	1	AUX316168	■	
503	◆	PISTON BEARING	1	AUX229295		●
505		SHAFT	(1)			
598	◆	BEARING SPRING COMPLETE	1	AUX300144		
504		SPRING	(3)			
511		SCREW	(3)			
599	◆	COMPLETE KEY	1	AUX301618		
508	◆	KEY	1	AUX203855		
509		WASHER	(1)			
510		SCREW	(1)			
537		CIRCLIPS	(1)			
538		WASHER	(1)			
500	◆	HYDRAULIC SHAFT COMPLETE	1	AUX316170	■	
503	◆	PISTON BEARING	1	AUX229295		●
505		SHAFT	(1)			
598	◆	BEARING SPRING COMPLETE	1	AUX300144		
504		SPRING	(3)			
511		SCREW	(3)			
599	◆	COMPLETE KEY CC20 HYDRAULIC	1	AUX316154		
508	◆	KEY	1	AUX203855		
537		CIRCLIPS	(1)			
600	◆	MECHANICAL SEAL BLOCDIR PB	1	AUX300040	■	
610		STATIONARY SEAL FACE COMPLETE	(1)			
604		STATIONARY SEAL FACE	(1)			
605		O-RING	(1)			
697		ROTATING PART	(1)			●
612		SEAL HOUSING	(1)			●
613		SEAL	(1)			
614		SPRING GUIDE	(1)			
615		SPRING	(1)			
616		CAGE	(1)			
698	◆	FULL SET OF MOUNTING SCREWS	1	AUX300043		
706		SCREW	(4)			
721		WASHER	(4)			
699	◆	SET OF MECHANICAL SEAL O-RINGS PB	1	AUX300044		
605		O-RING	(1)			
613		SEAL	(1)			
704		RING	(1)			
700	◆	BALL BEARINGS COMPLETE	1	AUX301392		
627	◆	PIN	1	AUX200139		
701		BEARING CAGE	(1)			
703	◆	BALL BEARING	1	AUX212312		●
705		BEARING COVER	(1)			
706		SCREW	(4)			
708		GREASE NIPPLE	(1)			
721		WASHER	(4)			
797	◆	BALL BEARING WASHERS AND GASKET SET	1	AUX300148		
704		RING	(1)			
707		LIP SEAL	(1)			
717		SEAL	(1)			
731		WASHER	(1)			
733		NILOS RING	(1)			

CC20 SRRHU

* 1, 2, 4... : Quantity in equipment - (1), (2), (4)... : Quantity in kit

Item	Available	Description	Qty*	Ref.	Maintenance kit	Wear part
700	◆	HYDRAULIC BALL BEARING COMPLETE	1	AUX316152		
627	◆	PIN	1	AUX200139		
701		BEARING CAGE	(1)			
703	◆	BALL BEARING	1	AUX212312		●
797	◆	BALL BEARING WASHERS AND GASKET SET	1	AUX316160		
704		RING	(1)			
717		SEAL	(1)			
731		WASHER	(1)			
733		METALLIC SEAL	(1)			
820	◆	BYPASS COMPLETE N°1	1	AUX302490		
812A		PLUG	(1)			
824	◆	VALVE SPRING N°1	1	AUX201131		
848		SEAL	(1)			
869	◆	BYPASS CAP COMPLETE	1	AUX300174		
832		SEAL	(1)			
833		BYPASS CAP	(1)			
897	◆	ADJUSTING SCREW VALVE COMPLETE	1	AUX300102		
807		SEAL	(1)			
825		SPRING GUIDE	(1)			
826		ADJUSTING SCREW	(1)			
828		NUT	(1)			
829		SPRING	(1)			
831		PIN	(1)			
834		NUT	(1)			
837		SEAL	(1)			
864	◆	COMPLETE VALVE	1	AUX300181		
863		PIN	(1)			
8640		COMPLETE VALVE	(1)			
899	◆	SET OF BYPASS SEALS	1	AUX301394	■	
807		SEAL	(1)			
829		SPRING	(1)			
831		PIN	(1)			
832		SEAL	(1)			
837		SEAL	(1)			
848		SEAL	(1)			

ACCESSORIES

CC20

* 1, 2, 4... : Quantity in equipment - (1), (2), (4)... : Quantity in kit

Item	Available	Description	Qty*	Ref.	Maintenance kit	Wear part
	◆	HYDRAULIC TRUNK D25 (EUROPE)	1	AUX316157		
	◆	HYDRAULIC TRUNK D1" (USA & CANADA) (2+3+4+5+6+6A+7+8+10+11+12+13+14+15+16)	1	AUX316120		
352	◆	HYDRAULIC MOTOR 50CC D25 Equiped with straight flanges G3/4.	1	AUX230388		
129A	◆	SET OF COMPANION FLANGES CC20 DN77	1	AUX314470		
129A	◆	SET OF COMPANION FLANGES CC20 DN91 (131+132+134+136)	1	AUX315574		
131	◆	GASKET	(2)	AUX203994	■	
	◆	FILTER PF CC20 DN70 ALU STEEL GRIDS 1-4	1	AUX316077		
	◆	FILTER PF CC20 DN70 ALU STAINLESS STEEL GRIDS 1-4 (2+3+4+5+6+6A+7+8+10+11+12+13+14+15+16)	1	AUX316076		
3 (5+6+7+12)	◆	COVER ASSEMBLY (STEEL GRID)	(1)	AUX302034		
3 (5+6+7+12)	◆	COVER ASSEMBLY (STAINLESS STEEL GRID)	(1)	AUX302035		
7	◆	GASKET	(1)	AUX202203	■	
4 (4A+8)	◆	CASING ASSEMBL	(1)	AUX302036		
8 (14+15+16)	◆	ROTATING BOLTS ASSEMBLY	(1)	AUX302030		
6A	◆	GRID 1 MM (STEEL)	(1)	AUX202200		
6A	◆	GRID 1 MM (STAINLESS STEEL)	(1)	AUX202202		