

PARTS LIST

PUMPS

CC8-65 C

Keep this parts lists with Installation, Operation and Maintenance Instructions.

To order the required spare parts, indicate the desired Reference(s).

- ◆ Sets of parts or parts available to order.

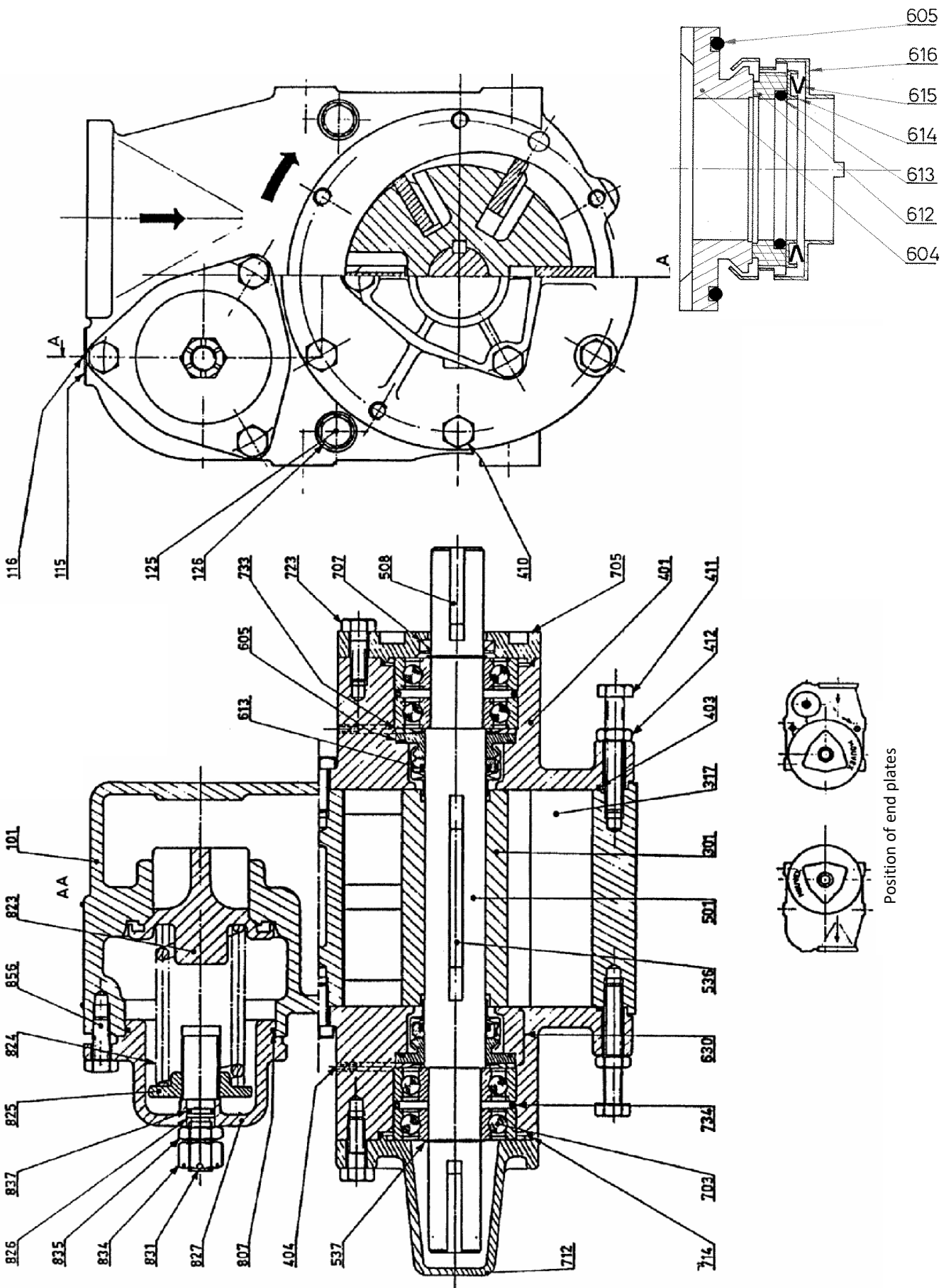
Z.I. la Plaine des Isles - 2 rue des Caillottes F-89000 AUXERRE - France

Tel : +33 (0)3 86 49 86 30 • Fax : +33 (0)3 86 49 87 17

contact.mouvex@psgdover.com • www.mouvex.com

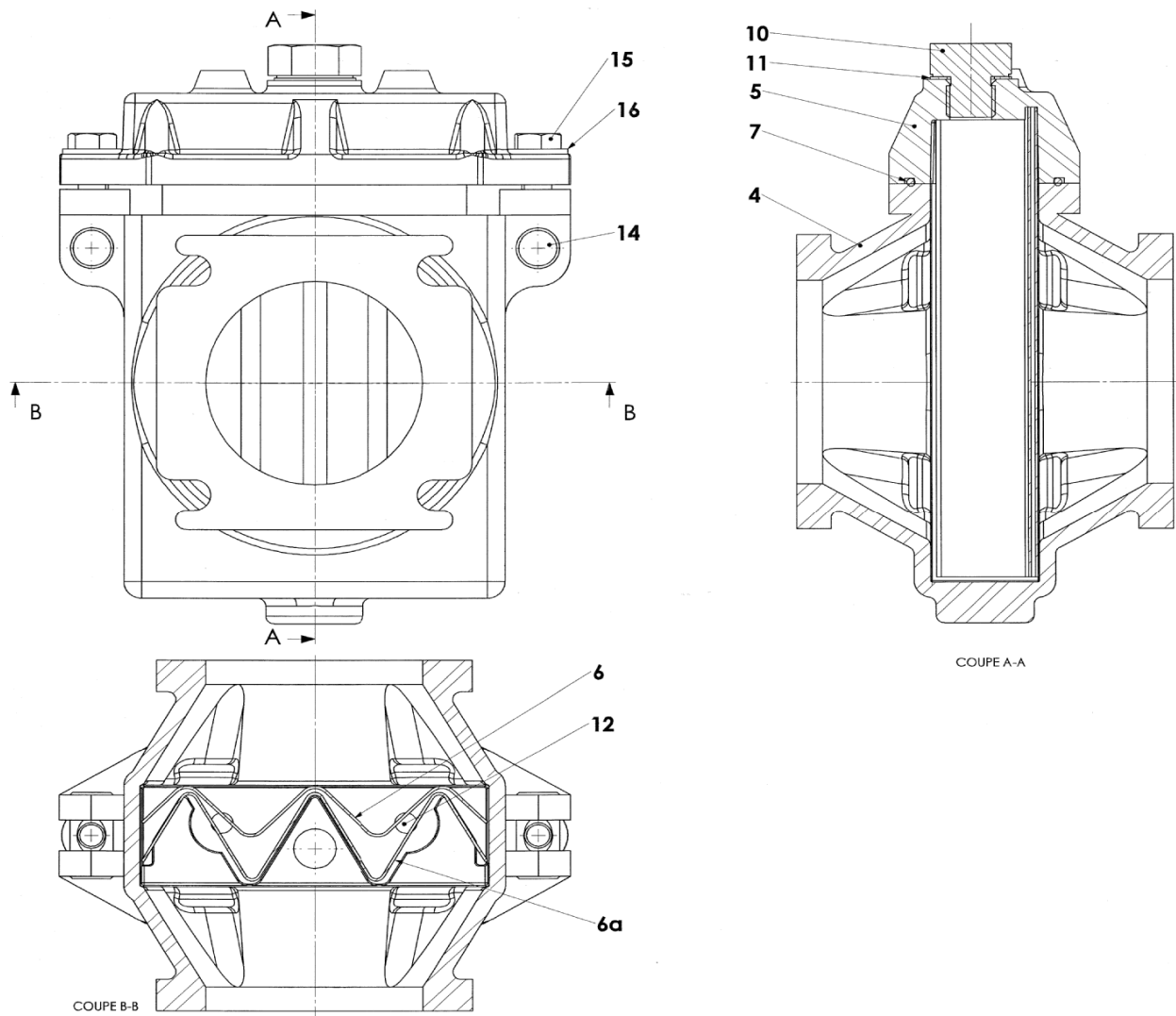
CC8-65 C

Mechanical seal

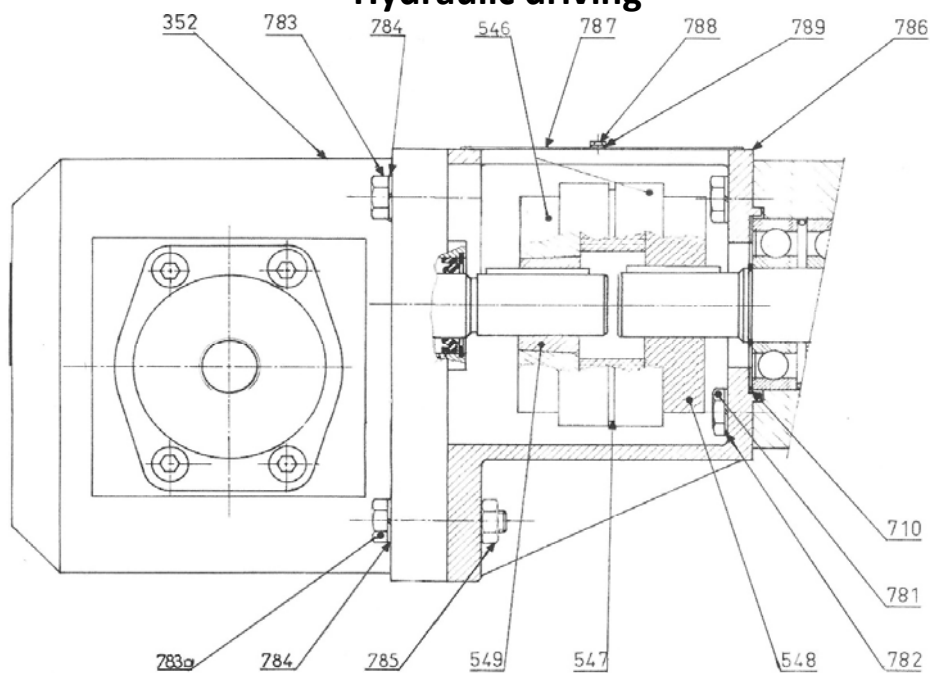


ACCESSORIES

Filter PF CC8



Hydraulic driving



CC8-65 C

* 1, 2, 4... : Quantity in equipment - (1), (2), (4)... : Quantity in kit

Item	Available	Description	Qty*	Ref.	Maintenance kit	Wear part
98	◆	FULL SET OF SCREWS	1	AUX301865		
410		SCREW	(8)			
411		SCREW	(4)			
412		NUT	(4)			
723		SCREW	(6)			
856		SCREW	(3)			
98C	◆	FRONT COVER EXTRACTOR CC8_28 40 50 65	1	AUX316025		
99	◆	SET OF PUMP SEALS	1	AUX301915		
126		SEAL	(2)			
403		O-RING	(2)			
807		O-RING	(1)			
100	◆	CASING ASSEMBLY	1	AUX301908		
101		BODY	(1)			
124	◆	FRONT COVER DRAIN PLUG + SEALS	1	AUX301861		
125		SCREW	(2)			
126		SEAL	(2)			
300	◆	ROTOR ASSEMBLY	1	AUX302476		
301		ROTOR	(1)			
317		VANE	(6)			●
309	◆	SET OF 6 VANES WITH HOLES	1	AUX304384	■	
317		VANE	(6)			●
400	◆	COMPLETE FRONT COVER	2	AUX303795		
401		FRONT COVER	(1)			
410		SCREW	(4)			
411		SCREW	(2)			
412		NUT	(2)			
409	◆	SET OF FRONT COVER O-RINGS - FKM	1	AUX304382	■	
403		O-RING	(2)			
500	◆	SHAFT ASSEMBLY	1	AUX301912		
501		SHAFT	(1)			
599	◆	SET OF KEYS	1	AUX301913	■	
508		KEY	(1)			
536		KEY	(1)			
537		CIRCLIPS	(2)			
630	◆	MECHANICAL SEAL ASSEMBLY B/I FKM HT	2	AUX301917	■	
604		STATIONARY SEAL FACE	(1)			●
605		O-RING FKM HT	(1)			●
612		SEAL HOUSING	(1)			●
613		O-RING FKM HT	(1)			●
614		SPRING GUIDE	(1)			
615		SPRING	(3)			
616		CAGE	(1)			
699	◆	SET OF MECHANICAL SEAL SEALS FKM HT	1	AUX301919		
605		O-RING FKM HT	(2)			●
613		O-RING FKM HT	(2)			●
700	◆	COMPLETE COVER SIDE OPPOSITE TO DRIVE SYSTEM CC8-65 C	1	AUX304716		
703		BALL BEARING	(2)			●
708		GREASE NIPPLE	(2)			
712		COVER	(1)			
714		O-RING	(1)			
723		SCREW	(3)			
733		METALLIC SEAL	(1)			
734		SPACER	(1)			

CC8-65 C

* 1, 2, 4... : Quantity in equipment - (1), (2), (4)... : Quantity in kit

Item	Available	Description	Qty*	Ref.	Maintenance kit	Wear part
700A	◆	BALL BEARINGS COMPLETE	1	AUX305519		
703A		BALL BEARING	(2)			
708A		GREASE NIPPLE	(2)			
733A		METALLIC SEAL	(1)			
734A		SPACER	(1)			
700A	◆	COMPLETE COVER DRIVE SIDE CC8 65 C	1	AUX304717		
703A		BALL BEARING	(2)			
705		COVER	(1)			
707		LIP SEAL	(1)			●
708A		GREASE NIPPLE	(2)			
714A		O-RING	(1)			
723A		SCREW	(3)			
733A		METALLIC SEAL	(1)			
734A		SPACER	(1)			
704	◆	SET OF 4 BALL BEARINGS	1	AUX304383	■	
703		BALL BEARING	(4)			●
715	◆	SET OF COVER SEALS	1	AUX304723	■	
707		LIP SEAL	(1)			●
714		O-RING	(2)			
771	◆	HYDRAULIC TRUNK ASSEMBLY	1	AUX304155		
546A	◆	COMPLETE COUPLING	1	AUX307286		
546		COUPLING FLANGE	(1)			
547	◆	ELASTIC TRANSITIONAL RING	1	AUX209603		●
548		COUPLING FLANGE D30	(1)			
549		COUPLING SLEEVE D24	(1)			
549A		COUPLING SLEEVE D22	(1)			
710	◆	SHIM	1	AUX204831		
781		SCREW	(3)			
782		WASHER	(3)			
783		SCREW	(2)			
783A		SCREW	(2)			
784		WASHER	(4)			
785		NUT	(2)			
786	◆	HYDRAULIC TRUNK	1	AUX228594		
787		COVER	(1)			
788		SCREW	(2)			
789		WASHER	(2)			
820	◆	BYPASS COMPLETE	1	AUX305582		
823	◆	COMPENSATED VALVE	1	AUX204839		
827		BYPASS CAP	(1)			
898	◆	PRESSURE SCREW ASSEMBLY	1	AUX305583		
807		O-RING	(1)			
825		SPRING BASE	(1)			
826		ADJUSTING SCREW	(1)			
831		PIN	(1)			
834		NUT	(1)			
835		NUT	(1)			
837		O-RING	(1)			
856		SCREW	(3)			
824	◆	SPRING 4 BAR	1	AUX219106		
824	◆	8 BAR SPRING	1	AUX204891		
899	◆	SET OF BYPASS SEALS	1	AUX301896		
807		O-RING	(1)			
831		PIN	(1)			
834		NUT	(1)			
835		NUT	(1)			
837		O-RING	(1)			

ACCESSORIES

* 1, 2, 4... : Quantity in equipment - (1), (2), (4)... : Quantity in kit

Item	Available	Description	Qty*	Ref.	Maintenance kit	Wear part
		HYDRAULIC MOTOR External gear technology. Not reversible (one direction) to be fitted on the suction side port. Equipped with straight flanges G3/4.				
352	◆	HYDRAULIC MOTOR 40CC	1	AUX229966		
352	◆	HYDRAULIC MOTOR 50CC	1	AUX229967		
352	◆	HYDRAULIC MOTOR 60CC	1	AUX229968		
129A	◆	SET OF 2 COMPANION FLANGES CC8 DN91, COMPLETE - STEEL	1	AUX302474		
129A	◆	SET OF 2 COMPANION FLANGES CC8 DN91, COMPLETE - STAINLESS STEEL	1	AUX310323		
		(129+131+132)				
131	◆	GASKET	(2)	AUX223098	■	
	◆	FILTER PF CC8 DN80 ALU STEEL GRIDS 1-4	1	AUX320432		
	◆	FILTER PF CC8 DN80 ALU STAINLESS STEEL GRIDS 1-4	1	AUX320433		
		(2+3+4+5+6+6A+7+8+10+11+12+13+14+15+16)				
2 (4A+8)	◆	BODY	(1)	AUX320431		
8 (14+15+16)	◆	ROTATING BOLTS ASSEMBLY	(1)	AUX302030		
3 (5+6+7+12+13)	◆	COVER ASSEMBLY (STEEL 1 MM GRID)	(1)	AUX302529		
3 (5+6+7+12+13)	◆	COVER ASSEMBLY (STAINLESS STEEL 1 MM GRID)	(1)	AUX302530		
7	◆	O-RING	(1)	AUX200874	■	
13 (10+11)	◆	FRONT COVER DRAIN PLUG + SEAL	(1)	AUX302044		
6A	◆	GRID 1 MM (STEEL)	(1)	AUX241193		
6A	◆	GRID 1 MM (STAINLESS STEEL)	(1)	AUX241194		
	◆	SET OF 2 COMPANION FLANGES PF CC8, COMPLETE - STEEL	1	AUX316163		
		(104+131+132+132A+134)				

Filter PF CC8 :

(1) The cover design changed in September 2011, the gasket 7 is replaced by an O'ring.

The cover assembly is interchangeable.

The gasket 7 is no more supplied. In case of need, the complete cover assembly has to be replaced.

(2) The cover design change modified the grid length which is no more interchangeable.

In this case, the complete cover assembly has to be replaced.