



P.L. : 1010-L01

Effective
Replaces

February 2023
May 2020

PARTS LIST
PUMPS
CC8-80F A

Keep this parts lists with Installation, Operation and Maintenance Instructions.

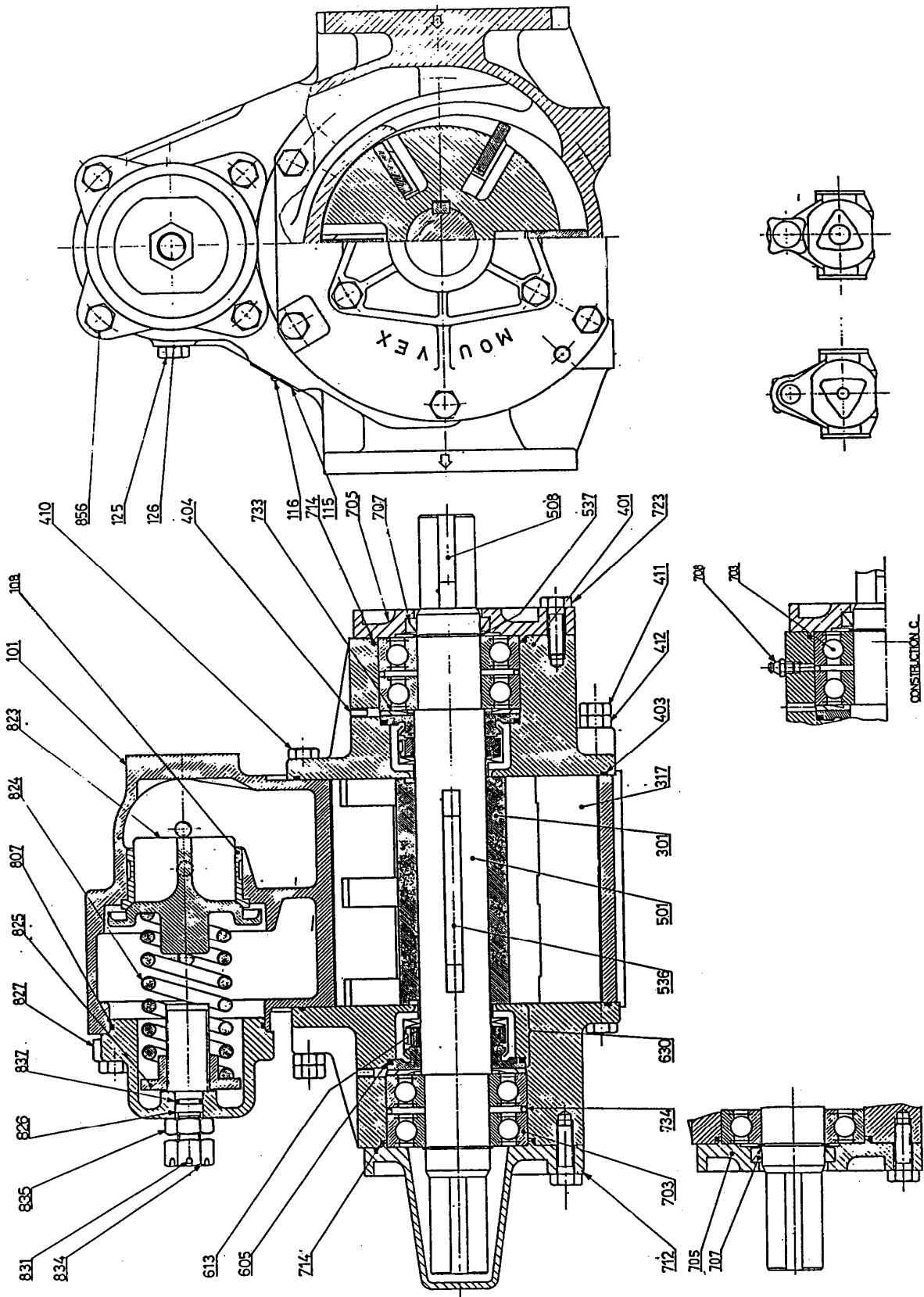
To order the required spare parts, indicate the desired Reference(s).

- ◆ Sets of parts or parts available to order.

Z.I. la Plaine des Isles - 2 rue des Caillottes F-89000 AUXERRE - France

Tel : +33 (0)3 86 49 86 30 • Fax : +33 (0)3 86 49 87 17
contact.mouvex@psgdover.com • www.mouvex.com

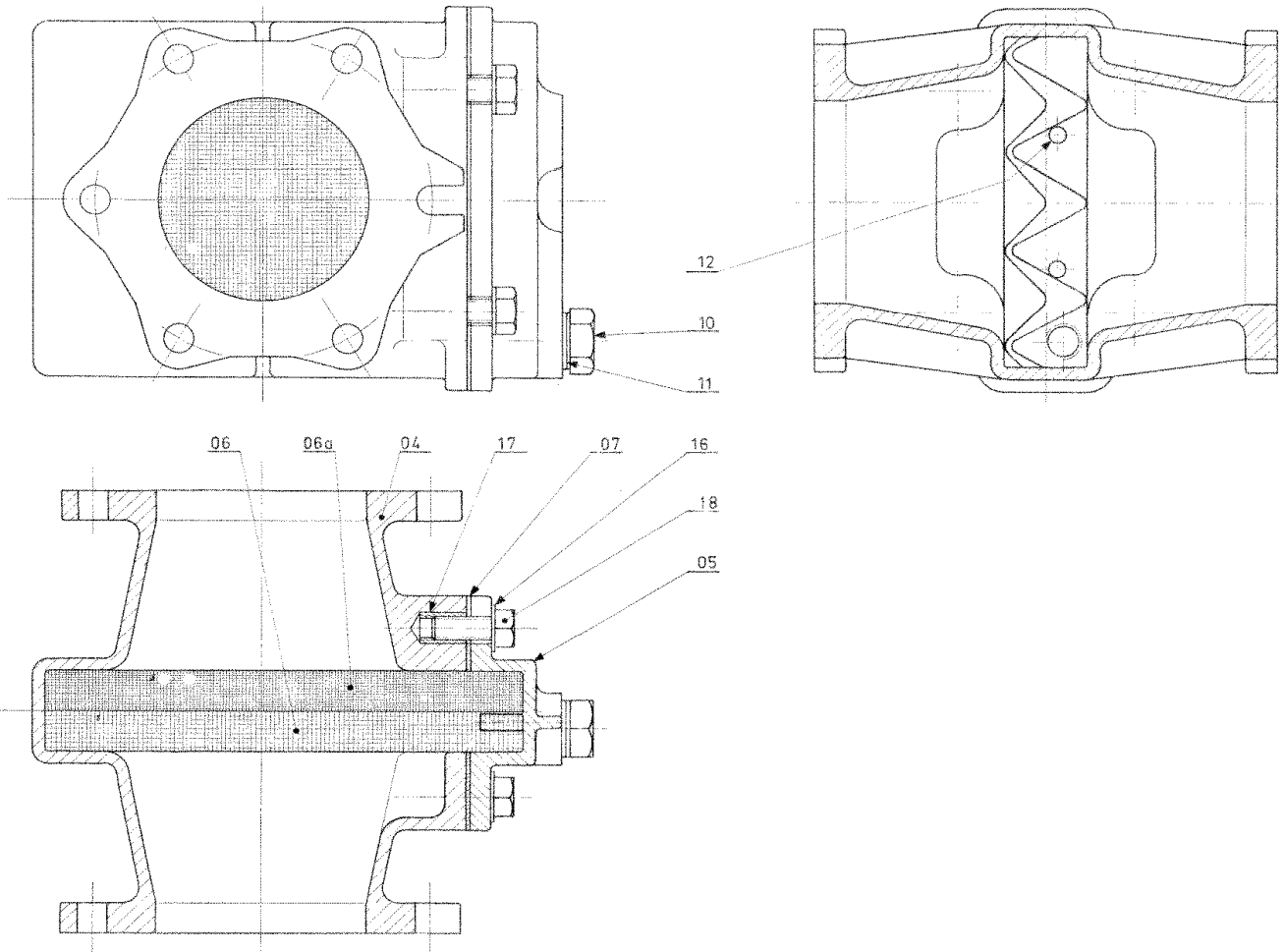
CC8-80F A



Position of end plates

ACCESSORIES

Filter PF CC8



CC8-80F A

* 1, 2, 4... : Quantity in equipment - (1), (2), (4)... : Quantity in kit

Item	Available	Description	Qty*	Ref.	Maintenance kit	Wear part
98	◆	FULL SET OF SCREWS	1	AUX302630		
410		SCREW	(8)			
411		SCREW	(4)			
412		NUT	(4)			
723		SCREW	(6)			
856		SCREW	(4)			
99	◆	SET OF PUMP SEALS	1	AUX302877		
126		SEAL	(3)			
403		O-RING	(2)			
807		O-RING	(1)			
100	◆	CASING ASSEMBLY	1	AUX312621		
101		BODY	(1)			
108		CHECK VALVE SEAT	(1)			
124	◆	PLUGS + SEALS	1	AUX302888		
125		PLUG	(3)			
126		SEAL	(3)			
1852		PLUG	(1)			
1853		O-RING	(1)			
1854		SEAL	(1)			
300	◆	ROTOR ASSEMBLY	1	AUX302892		
301		ROTOR	(1)			
317		VANE	(6)			●
309	◆	SET OF 6 VANES	1	AUX304440	■	
317		VANE	(6)			●
400	◆	FRONT COVER COMPLETE	2	AUX308508		
401		FRONT COVER	(1)			
404		PIN	(2)			
410		SCREW	(4)			
411		SCREW	(2)			
412		NUT	(2)			
409	◆	SET OF FRONT COVER O-RINGS	1	AUX304438	■	
403		O-RING	(2)			
500	◆	SHAFT COMPLETE	1	AUX302629		
501		SHAFT	(1)			
599	◆	SET OF KEYS	1	AUX302668	■	
508		KEY	(1)			
536		KEY	(1)			
537		CIRCLIPS	(2)			
630	◆	MECHANICAL SEAL ASSEMBLY CC8 80_100 CRI FKM	2	AUX319476	■	
604		STATIONARY SEAL FACE	(1)			●
605		O-RING	(1)			●
612		SEAL HOUSING	(1)			●
613		O-RING	(1)			●
614		SPRING BASE	(1)			
615		SPRING	(3)			
616		CAGE	(1)			
699	◆	SET OF MECHANICAL SEAL SEALS	1	AUX302633		
605		O-RING	(2)			●
613		O-RING	(2)			●
700	◆	COMPLETE COVER SIDE OPPOSITE TO DRIVE SYSTEM CC8-80 F	1	AUX305830		
703		BALL BEARING	(2)			●
712		SHAFT PROTECTOR CC8-80 F	(1)			
714		O-RING	(1)			
723		SCREW	(3)			
733		NILOS RING	(1)			
734		SPACER	(1)			

CC8-80F A

* 1, 2, 4... : Quantity in equipment - (1), (2), (4)... : Quantity in kit

Item	Available	Description	Qty*	Ref.	Maintenance kit	Wear part
700A	◆	COMPLETE COVER DRIVE SIDE CC8 80 F	1	AUX305831		
703A		BALL BEARING	(2)			
705		DRIVE SIDE COVER CC8 80 F	(1)			
707		LIP SEAL	(1)			●
714A		O-RING	(1)			
723A		SCREW	(3)			
733A		NILOS RING	(1)			
734A		SPACER	(1)			
704	◆	SET OF 4 BALL BEARINGS	1	AUX304439	■	●
703		BALL BEARING	(4)			
721		SCREW	(4)			
722		STICKER	(1)			
715	◆	SET OF COVER SEALS	1	AUX306131	■	
705		LIP SEAL	(2)			
714		O-RING	(2)			
816	◆	PNEUMATIC BYPASS O'RINGS	1	AUX302649		
804		O-RING	(1)			
807		O-RING	(1)			
838		O-RING	(1)			
839		O-RING	(1)			
840	◆	PNEUMATIC BYPASS WITH SPRING WITHOUT PRESSURE LIMITER	1	AUX303307		
802		PLATE	(1)			
803		SCREW	(2)			
804		O-RING	(1)			
805		SCREW	(4)			
807		O-RING	(1)			
810	◆	MEMBRANE PUSHRODS ASSEMBLY CC8-80F	1	AUX303306		
811		SHAFT	(1)			
812		MEMBRANE DISC	(1)			
813	◆	MEMBRANE	1	AUX209580	■	●
814		BLIND NUT	(1)			
815		SEAL WASHER	(1)			
820	◆	MEMBRANE DISC	1	AUX209579		
823	◆	VALVE	1	AUX211073		
832		PLUG	(1)			
838		O-RING	(1)			
839		O-RING	(1)			
841		COVER	(1)			
845	◆	PRESSURE SCREW ASSEMBLY	1	AUX302651		
826		ADJUSTING SCREW	(1)			
831		PIN	(1)			
834		NUT	(1)			
835		NUT	(1)			
837		O-RING	(1)			
842	◆	SPRING 4 BAR	1	AUX219106		
843		SPRING GUIDE	(1)			
846		WASHER	(1)			
844	◆	SET OF PNEUMATIC BYPASS SEALS	1	AUX302636		
804		O-RING	(1)			
807		O-RING	(1)			
831		PIN	(1)			
834		NUT	(1)			
835		NUT	(1)			
837		O-RING	(1)			
838		O-RING	(1)			

ACCESSORIES

CC8-80F A

* 1, 2, 4... : Quantity in equipment - (1), (2), (4)... : Quantity in kit

Item	Available	Description	Qty*	Ref.	Maintenance kit	Wear part
129A	◆	SET OF 2 COMPANION FLANGES DN115 CC8 80, COMPLETE (131A+132A+133+172)	1	AUX302523		
131A	◆	GASKET	(2)	AUX204949	■	
	◆	FILTER PF CC8 DN100 ALU STEEL GRIDS 1-4 (2+3+4A+5+6+6A+7+8+10+11+12+13+14+15+16+17+18)	1	AUX316081		
3 (5+6+7+12+13+16+18)	◆	COVER ASSEMBLY (STEEL GRIDS)	(1)	AUX302519		
4 (4A+17)	◆	BODY PF 100 CC8 N	(1)	AUX302518		
6A	◆	GRID 1 MM (STEEL)	(1)	AUX204936		
7	◆	GASKET	(1)	AUX204942	■	