



P.L. : 1010-P01

Effective  
Replaces

February 2023  
January 2022

**PARTS LIST**  
**PUMP**  
**CC10-24 A**

Keep this parts lists with Installation, Operation and Maintenance Instructions.

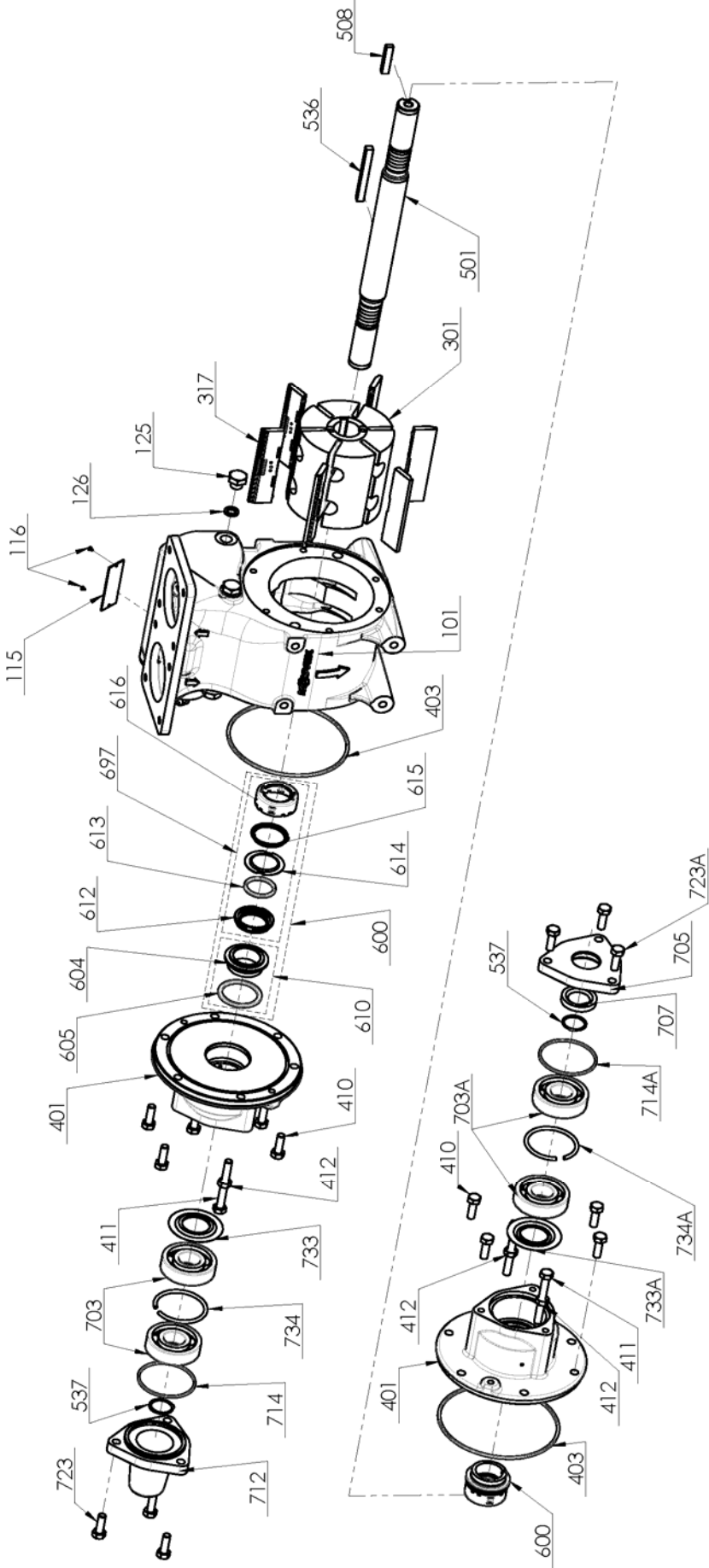
To order the required spare parts, indicate the desired Reference(s).

- ◆ Sets of parts or parts available to order.

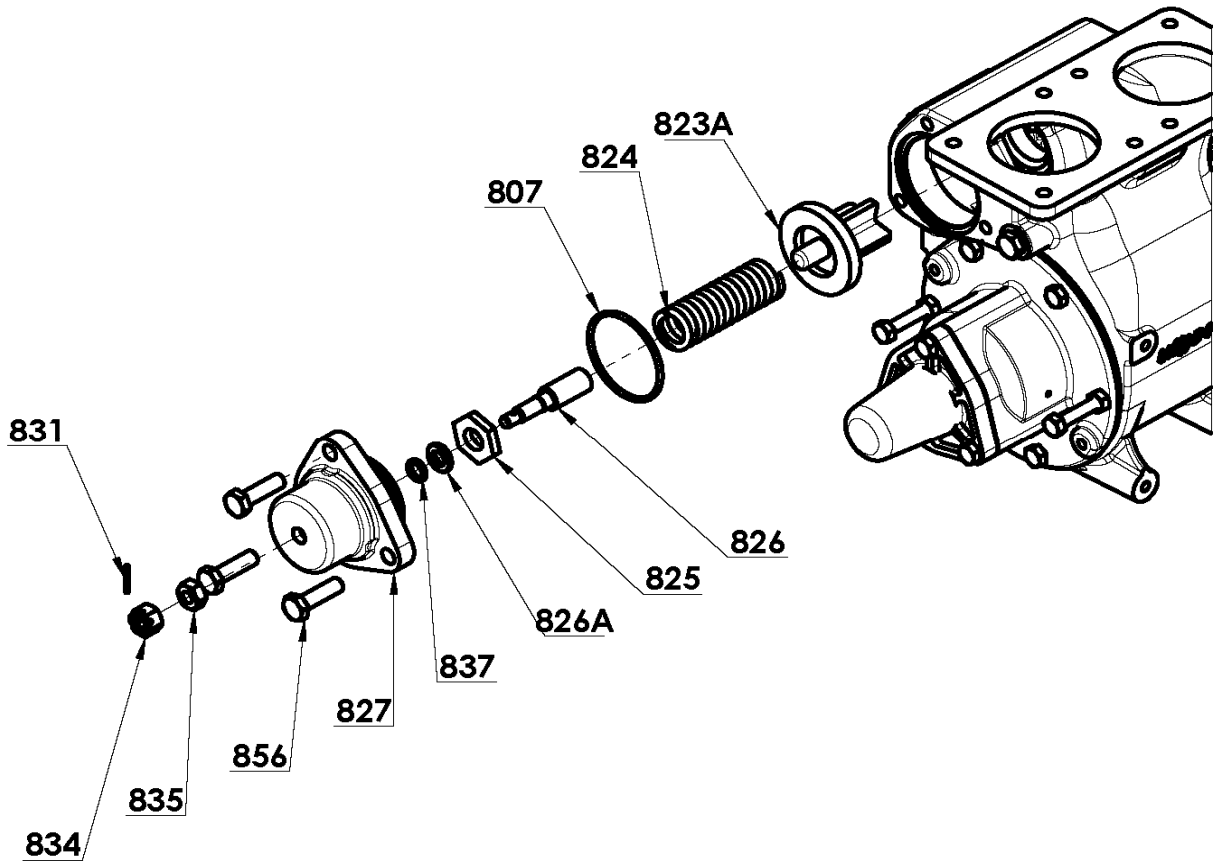
Z.I. la Plaine des Isles - 2 rue des Caillottes F-89000 AUXERRE - France

Tel : +33 (0)3 86 49 86 30 • Fax : +33 (0)3 86 49 87 17  
contact.mouvex@psgdover.com • www.mouvex.com

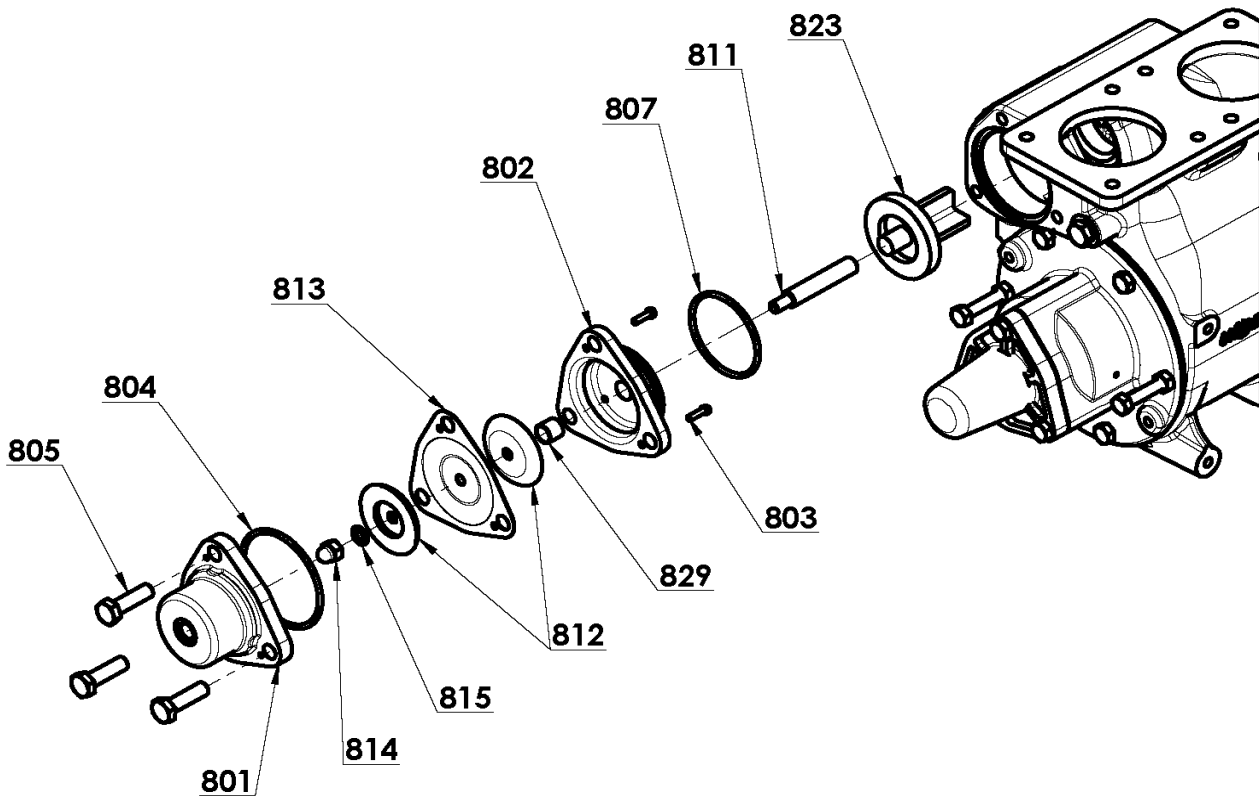
CC10-24 A



## Mechanical bypass

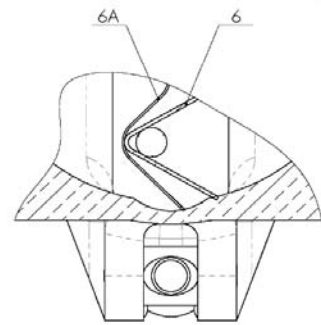
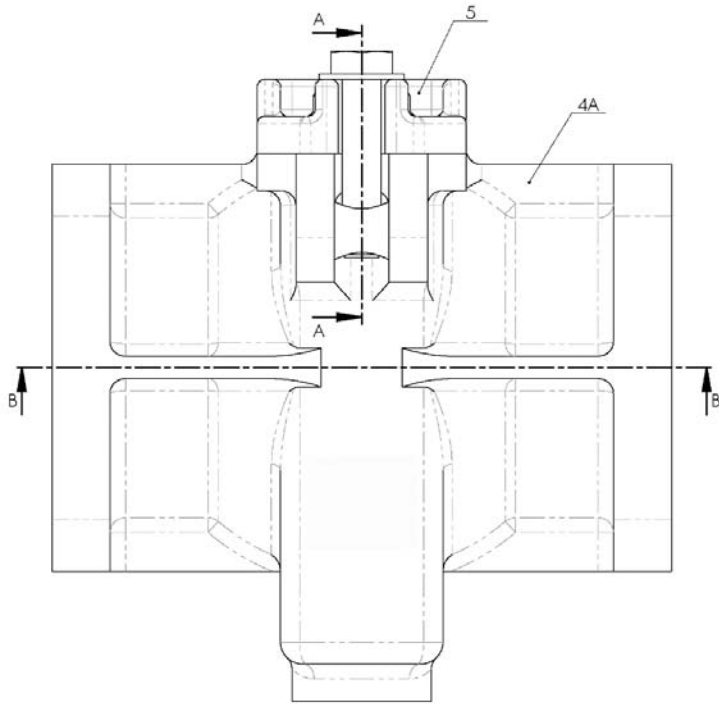
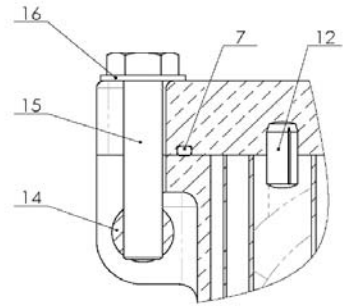
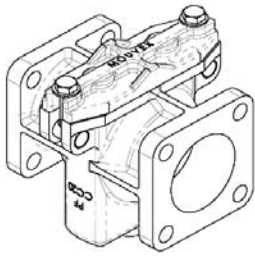


## Pneumatic bypass

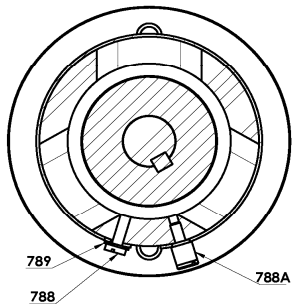
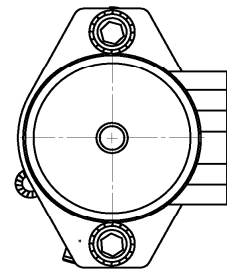
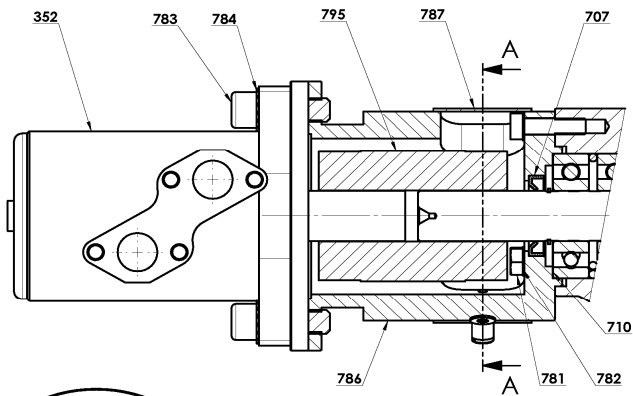


# ACCESSORIES

## Filter PF CC8



## Hydraulic trunk



# CC10-24 A

\* 1, 2, 4... : Quantity in equipment - (1), (2), (4)... : Quantity in kit

Item	Available	Description	Qty*	Ref.	Maintenance kit	Wear part
99 126 403 807	◆	<b>SET OF PUMP SEALS CC10_24 A</b> SEAL O-RING SEAL	1 (3) (2) (1)	AUX319272		
100 101 124 125 126	◆  ◆	<b>CASING ASSEMBLY CC10_24 A</b> BODY <b>FRONT COVER DRAIN PLUG + SEALS CC10_24 A</b> PLUG SEAL	1 (1) 1 (3) (3)	AUX319191  AUX318960		
300 301 317	◆	<b>ROTOR ASSEMBLY (6 VANES) CC10_24 A</b> ROTOR VANE	1 (1) (6)	AUX318667		●
309 317	◆	<b>SET OF 6 VANES CC10_24 A</b> VANE	1 (6)	AUX319271	■	●
400 401 410 411 412	◆	<b>COMPLETE FRONT COVER CC10_24 A</b> FRONT COVER SCREW SCREW NUT	2 (1) (4) (2) (2)	AUX319192		
409 403	◆	<b>SET OF FRONT COVER O-RINGS CC10_24 A - FKM</b> O-RING	1 (2)	AUX319269	■	
500 501 599 508 536 537	◆  ◆	<b>SHAFT COMPLETE CC10_24 A</b> SHAFT <b>SET OF KEYS CC10_24 A</b> KEY KEY CIRCLIPS	1 (1) 1 (1) (1) (2)	AUX318668  AUX318669	■	
600 600 610 604 605 697 612 613 614 615 616	◆ ◆	<b>MECHANICAL SEAL - BLOCDIR CRI VT</b> <b>MECHANICAL SEAL - BLOCDIR B/I VT</b> STATIONARY SEAL FACE COMPLETE STATIONARY SEAL FACE O-RING ROTATING PART SEAL HOUSING O-RING SPRING GUIDE SPRING CAGE	2 2 (1) (1) (1) (1) (1) (1) (1) (1) (1) (1)	AUX300055 AUX300068	■ ■	● ● ● ●
699 605 613	◆	<b>SET OF MECHANICAL SEAL SEALS CC10_24 A - FKM</b> O-RING O-RING	1 (1) (1)	AUX319273		● ●

# CC10-24 A

\* 1, 2, 4... : Quantity in equipment - (1), (2), (4)... : Quantity in kit

Item	Available	Description	Qty*	Ref.	Maintenance kit	Wear part
<b>700</b>	◆	<b>COMPLETE COVER SIDE OPPOSITE TO DRIVE SYSTEM CC8 10_24</b>	1	AUX318665		
703		BALL BEARING	(2)			●
712		COVER	(1)			
714		O-RING FKM	(1)			
723		SCREW	(3)			
733		NILOS RING	(1)			
734		SPACER	(1)			
<b>700A</b>	◆	<b>COMPLETE COVER DRIVE SIDE CC8 10_24 A</b>	1	AUX318666		
703A		BALL BEARING	(2)			
705		COVER	(1)			
707		LIP SEAL	(1)			●
714A		O-RING FKM	(1)			
723A		SCREW	(3)			
733A		NILOS RING	(1)			
734A		SPACER	(1)			
<b>700A</b>	◆	<b>COMPLETE COVER DRIVE SIDE (FOR HYDRAULIC) CC8 10_24 A</b>	1	AUX319248		
703A		BALL BEARING	(2)			
733A		NILOS RING	(1)			
734A		SPACER	(1)			
<b>704</b>	◆	<b>SET OF 4 BALL BEARINGS CC10_24 A</b>	1	AUX319270	■	
703		BALL BEARING	(2)			●
703A		BALL BEARING	(2)			
<b>715</b>	◆	<b>SET OF COVER SEALS CC10_24 A</b>	1	AUX319274	■	
707		LIP SEAL	(1)			●
714		O-RING FKM	(1)			
714A		O-RING FKM	(1)			
733		NILOS RING	(2)			
<b>771</b>	◆	<b>SAE HYDRAULIC TRUNK FOR CC8 10_24 A</b>	1	AUX319155		●
707		LIP SEAL	(1)			
710	◆	SHIM	1	AUX237790		
781		SCREW	(3)			
782		WASHER	(3)			
783		SCREW	(2)			
784		WASHER	(2)			
786	◆	<b>SAE HYDRAULIC MOTOR TRUNK (TYPE A) FOR CC8 10_24 A</b>	1	AUX237787		
787		PROTECTION PLATE	(1)			
788		SCREW	(1)			
788A		SCREW	(1)			
789		WASHER	(1)			
795		COUPLING D25	(1)			

## CC10-24 A

\* 1, 2, 4... : Quantity in equipment - (1), (2), (4)... : Quantity in kit

Item	Available	Description	Qty*	Ref.	Maintenance kit	Wear part
<b>800</b>	◆	<b>PNEUMATIC BYPASS WITHOUT SPRING CC8 10_24 A</b>	<b>1</b>	<b>AUX319194</b>		
801		BYPASS CAP	(1)			
802		BASE	(1)			
803		SCREW	(2)			
804		O-RING	(1)			
805		SCREW	(3)			
807		SEAL	(1)			
810	◆	<b>MEMBRANE PUSHRODS ASSEMBLY CC8 10_24 A</b>	<b>1</b>	<b>AUX319244</b>		
811		SHAFT	(1)			
812		WASHER	(2)			
813	◆	<b>PNEUMATIC BYPASS MEMBRANE CC8 10_24 A</b>	<b>1</b>	<b>AUX236851</b>	■	●
814		BLIND NUT	(1)			
815		SEAL	(1)			
823	◆	<b>PNEUMATIC VALVE CC8 10_24 A</b>	<b>1</b>	<b>AUX236312</b>		
829		BEARING	(1)			
<b>816</b>	◆	<b>PNEUMATIC BYPASS O'RINGS CC10_24 A</b>	<b>1</b>	<b>AUX319276</b>		
804		O-RING	(1)			
807		SEAL	(1)			
<b>820</b>	◆	<b>COMPLETE MECHANICAL BYPASS CC8 10_24 A</b>	<b>1</b>	<b>AUX319193</b>		
823A	◆	COMPENSATED VALVE	1	AUX204795		
826A		WASHER	(1)			
827		INTERNAL RELIEF VALVE CAP	(1)			
898	◆	<b>PRESSURE SCREW ASSEMBLY - FKM</b>	<b>1</b>	<b>AUX307122</b>		
807		SEAL	(1)			
825		SPRING GUIDE	(1)			
826		ADJUSTING SCREW	(1)			
831		PIN	(1)			
834		NUT	(1)			
835		NUT	(1)			
837		O-RING	(1)			
856		SCREW	(3)			
<b>824</b>	◆	<b>10 BAR SPRING FOR MECHANICAL BYPASS</b>	<b>1</b>	<b>AUX236307</b>		
<b>824</b>	◆	<b>5 BAR SPRING FOR MECHANICAL BYPASS</b>	<b>1</b>	<b>AUX236574</b>		
<b>899</b>	◆	<b>SET OF BYPASS SEALS CC10_24 A</b>	<b>1</b>	<b>AUX319275</b>		
807		SEAL	(1)			
831		PIN	(1)			
834		NUT	(1)			
835		NUT	(1)			
837		O-RING	(1)			

# ACCESSORIES

## CC10-24 A

\* 1, 2, 4... : Quantity in equipment - (1), (2), (4)... : Quantity in kit

Item	Available	Description	Qty*	Ref.	Maintenance kit	Wear part
4 (4A+14+15+16)	◆	<b>FILTER PF70 CC DN70 ALU STEEL GRIDS 0.5-4</b> <b>(3+4+4A+5+6+6A+7+8+12+14+15+16)</b>	1	<b>AUX318778</b>		
8 (14+15+16)	◆	BODY	(1)	AUX318784		
3 (5+6+7+12)	◆	ROTATING BOLTS ASSEMBLY	(1)	AUX302030		
7	◆	COVER ASSEMBLY (STEEL GRIDS)	(1)	AUX318783		
6A	◆	O-RING	(1)	AUX226787	■	
	◆	GRID 0,5 MM (STEEL)	(1)	AUX236709		
<b>129A</b>	◆	<b>SET OF COMPANION FLANGES CC10 DN77</b> <b>(129+131+132+134)</b>	1	<b>AUX319285</b>		
131	◆	GASKET	(3)	AUX203994	■	
<b>104A</b>	◆	<b>SET OF COMPANION FLANGES PF70 CC DN77</b> <b>(104+131+132+132A+134)</b>	1	<b>AUX319286</b>		
131	◆	GASKET	(2)	AUX203994	■	