

PARTS LIST

PUMP

A18 A

Keep this parts lists with Installation, Operation and Maintenance Instructions.

To order the required spare parts, indicate the desired Reference(s).

- ◆ Sets of parts or parts available to order.

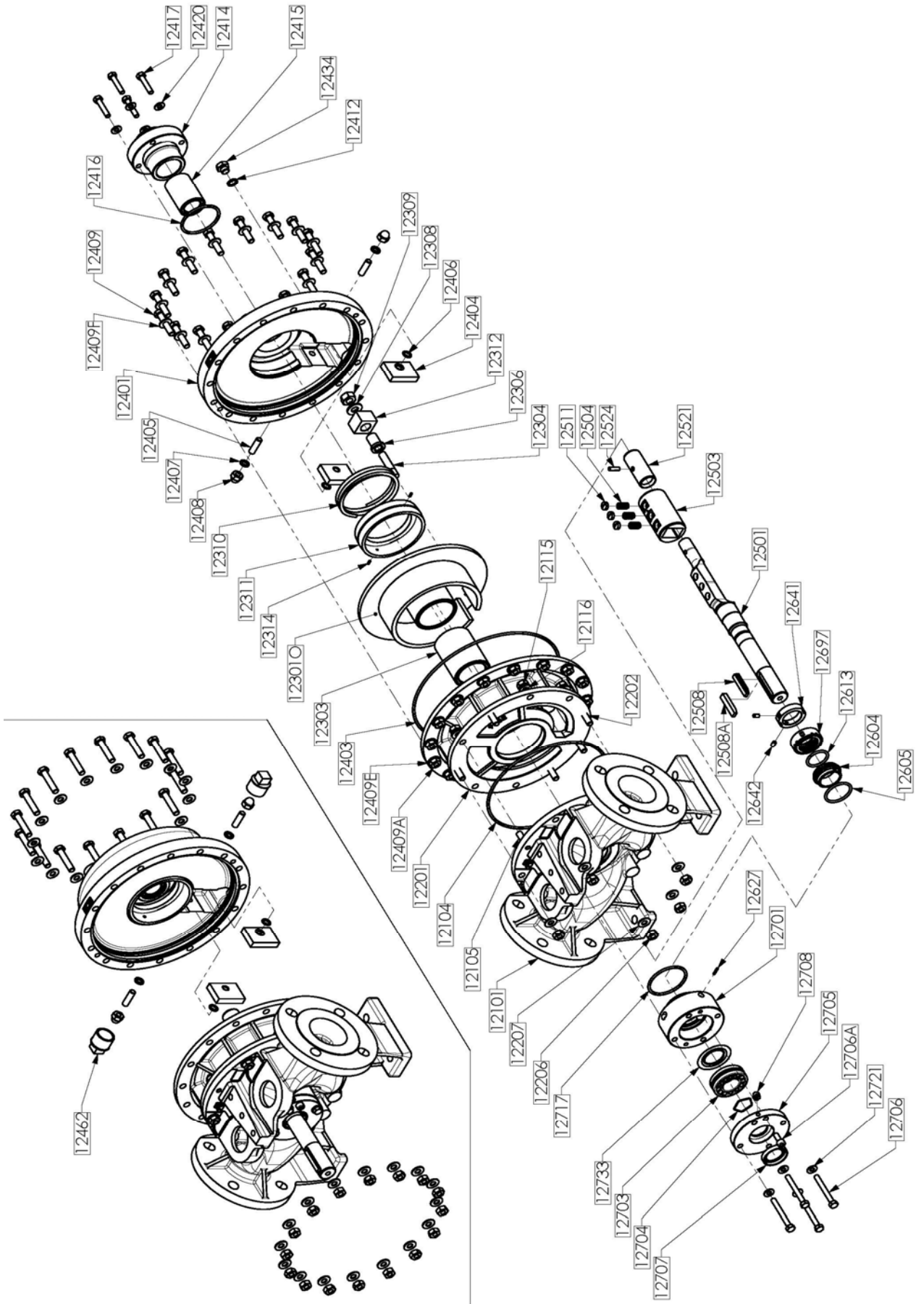
Z.I. la Plaine des Isles - 2 rue des Caillottes F-89000 AUXERRE - France

Tel : +33 (0)3 86 49 86 30 • Fax : +33 (0)3 86 49 87 17

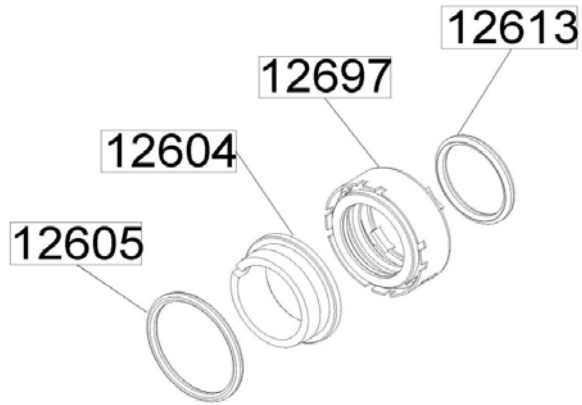
contact.mouvex@psgdover.com • www.mouvex.com

A18 A

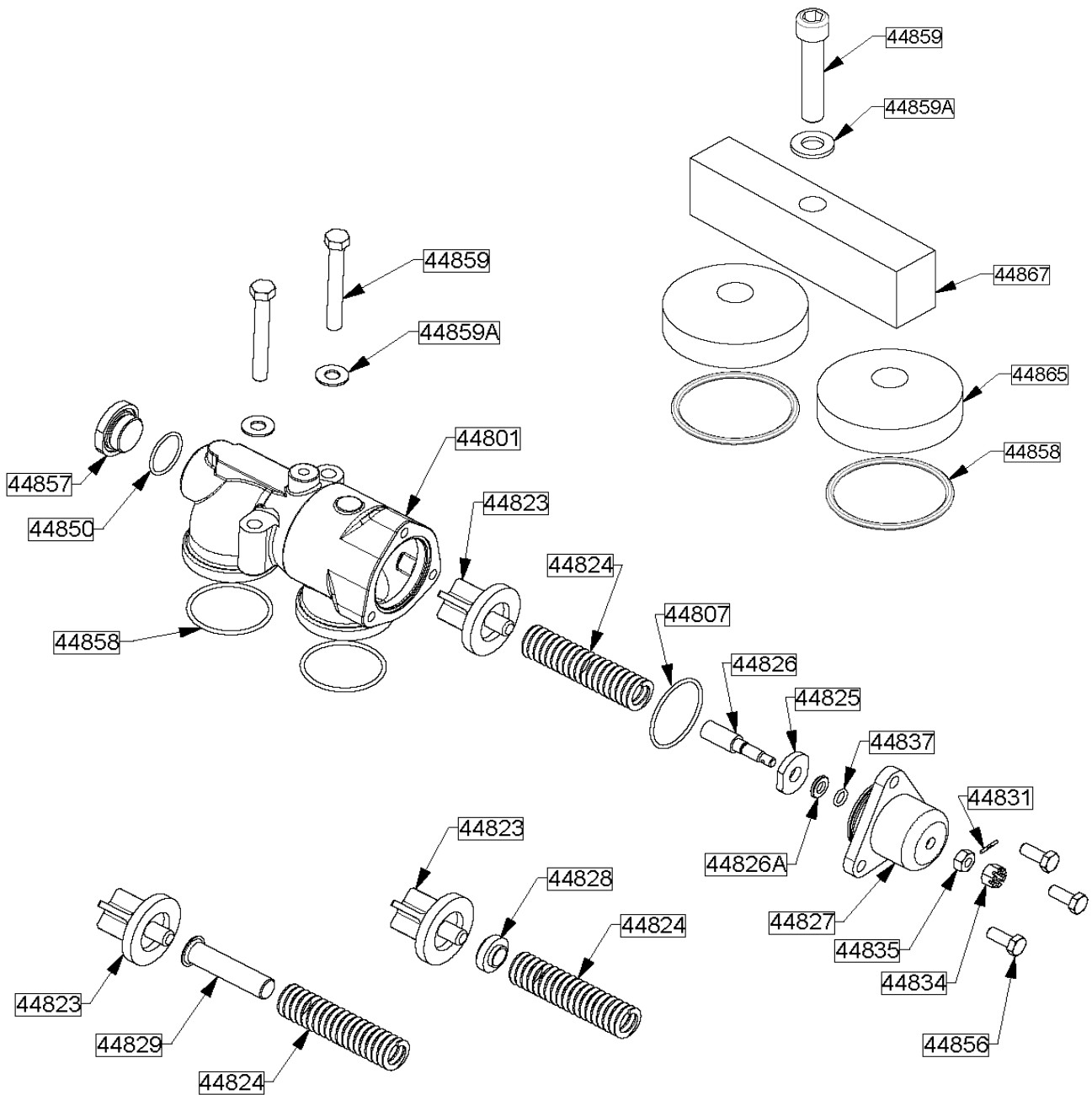
Heating jacket



Mechanical seal



Bypass & Stirrup



A18 A

* 1, 2, 4... : Quantity in equipment - (1), (2), (4)... : Quantity in kit

| Item | Available | Description | Qty* | Ref. | Maintenance kit | Wear part |
|--------|-----------|---|------|-----------|-----------------|-----------|
| 12097 | ◆ | SET OF SCREWS-SEALS (PISTON INSPECTION) - FEP-FKM | 1 | AUX316421 | ■ | |
| 12097 | ◆ | SET OF SCREWS-SEALS (PISTON INSPECTION) - FKM | 1 | AUX316420 | ■ | |
| 12403 | ◆ | O-RING - FKM | 1 | AUX200840 | | ● |
| 12403 | ◆ | O-RING - FEP-FKM | 1 | AUX229302 | | ● |
| 12409 | | SCREW | (16) | | | |
| 12409A | | NUT | (16) | | | |
| 12409E | | WASHER | (16) | | | |
| 12409F | | WASHER | (16) | | | |
| 12412 | | SEAL | (1) | | | ● |
| 12524 | | PIN | (1) | | | |
| 12098 | ◆ | FULL SET OF SCREWS | 1 | AUX316174 | | |
| 12105 | | STUD | (5) | | | |
| 12115 | | NUT | (5) | | | |
| 12116 | | WASHER | (5) | | | |
| 12202 | | STUD | (5) | | | |
| 12206 | | NUT | (5) | | | |
| 12207 | | WASHER | (5) | | | |
| 12409 | | SCREW | (16) | | | |
| 12409A | | NUT | (16) | | | |
| 12409E | | WASHER | (16) | | | |
| 12409F | | WASHER | (16) | | | |
| 12417 | | SCREW | (4) | | | |
| 12420 | | WASHER | (4) | | | |
| 12706 | | SCREW | (4) | | | |
| 12706A | | SCREW | (1) | | | |
| 12721 | | WASHER | (4) | | | |
| 12099 | ◆ | SET OF FEP-FKM 'O' RING SEALS | 1 | AUX316176 | ■ | |
| 12099 | ◆ | SET OF FKM 'O' RING SEALS | 1 | AUX316175 | ■ | |
| 12104 | | SEAL | (1) | | | ● |
| 12403 | ◆ | O-RING - FKM | 1 | AUX200840 | | ● |
| 12403 | ◆ | O-RING - FEP-FKM | 1 | AUX229302 | | ● |
| 12406 | | SEAL | (2) | | | ● |
| 12416 | | SEAL | (1) | | | ● |
| 12717 | | SEAL | (1) | | | ● |
| 12100 | ◆ | MAIN BODY WITH FLANGES COMPATIBLE WITH OLD A SERIES, COMPLETE | 1 | AUX316178 | | |
| 12100 | ◆ | MAIN BODY PN16 PN20, COMPLETE | 1 | AUX316177 | | |
| 12101 | | MAIN BODY | (1) | | | |
| 12105 | | STUD | (5) | | | |
| 12200 | ◆ | CYLINDER, COMPLETE - FKM | 1 | AUX316179 | ■ | |
| 12200 | ◆ | CYLINDER, COMPLETE - FEP-FKM | 1 | AUX316445 | ■ | |
| 12104 | | SEAL | (1) | | | ● |
| 12115 | | NUT | (5) | | | |
| 12116 | | WASHER | (5) | | | |
| 12201 | | CYLINDER | (1) | | | ● |
| 12202 | | STUD | (5) | | | |
| 12206 | | NUT | (5) | | | |
| 12207 | | WASHER | (5) | | | |

A18 A

* 1, 2, 4... : Quantity in equipment - (1), (2), (4)... : Quantity in kit

| Item | Available | Description | Qty* | Ref. | Maintenance kit | Wear part |
|--------|-----------|---|------|-----------|-----------------|-----------|
| 12300 | ◆ | COMPLETE PISTON - BRONZE BUSHING | 1 | AUX316733 | ■ | |
| 12300 | ◆ | COMPLETE PISTON - CARBON BUSHING | 1 | AUX316180 | ■ | |
| 123010 | | PISTON + BLOCK PIN | (1) | | | ● |
| 12301 | | PISTON | (1) | | | ● |
| 12304 | ◆ | SLIDE BLOCK SHAFT | 1 | AUX203915 | | ● |
| 12303 | ◆ | PISTON BUSHING (CARBON) | 1 | AUX316201 | | ● |
| 12303 | ◆ | PISTON BUSHING (BRONZE) | 1 | AUX230192 | | ● |
| 123980 | ◆ | SLIDE BLOCK, COMPLETE | 1 | AUX316203 | | |
| 12307 | ◆ | SLIDE BLOCK + BUSHING | 1 | AUX316207 | | |
| 12306 | | BUSHING | (1) | | | ● |
| 12312 | | SLIDE BLOCK | (1) | | | ● |
| 12308 | | WASHER | (1) | | | |
| 12309 | | PISTON NUT | (1) | | | |
| 12400 | ◆ | COMPLETE FRONT COVER - FKM | 1 | AUX316183 | | |
| 12400 | ◆ | COMPLETE FRONT COVER - FEP-FKM | 1 | AUX316447 | | |
| 12400 | ◆ | COMPLETE FRONT COVER WITH JACKET - FEP-FKM | 1 | AUX316448 | | |
| 12400 | ◆ | COMPLETE FRONT COVER WITH JACKET - FKM | 1 | AUX316184 | | |
| 12399 | ◆ | PUSHER, COMPLETE | 1 | AUX316182 | | |
| 12310 | | RESSORT DOS DE PISTON | (1) | | | |
| 12311 | | PUSHER | (1) | | | |
| 12314 | | PIN | (2) | | | |
| 12401 | | FRONT COVER | (1) | | | |
| 12402 | ◆ | SLIDE BLOCK PADS SET COMPLETE - FKM | 1 | AUX316210 | | |
| 12402 | ◆ | SLIDE BLOCK PADS SET COMPLETE - FEP-FKM | 1 | AUX316451 | | |
| 12404 | | GUIDE | (2) | | | |
| 12405 | | STUD | (2) | | | |
| 12406 | | SEAL | (2) | | | ● |
| 12407 | | SEAL | (2) | | | ● |
| 12408 | | BLIND NUT | (2) | | | |
| 12403 | ◆ | O-RING - FKM | 1 | AUX200840 | | ● |
| 12403 | ◆ | O-RING - FEP-FKM | 1 | AUX229302 | | ● |
| 12409 | | SCREW | (16) | | | |
| 12409A | | NUT | (16) | | | |
| 12409E | | WASHER | (16) | | | |
| 12409F | | WASHER | (16) | | | |
| 12411 | ◆ | FRONT COVER DRAIN PLUG + SEAL | 1 | AUX316359 | | |
| 12412 | | SEAL | (1) | | | ● |
| 12434 | | PLUG | (1) | | | |
| 12462 | | PLUG (FOR HEATING JACKET) | (2) | | | |
| 44808 | | BYPASS ORIENTATION PLATE | (1) | | | |
| 44809 | | PIN | (2) | | | |
| 12413 | ◆ | FRONT COVER BEARING COMPLETE - BRONZE BUSHING - FEP-FKM | 1 | AUX316737 | | |
| 12413 | ◆ | FRONT COVER BEARING COMPLETE - BRONZE BUSHING - FKM | 1 | AUX315879 | | |
| 12413 | ◆ | FRONT COVER BEARING COMPLETE - CARBON BUSHING - FEP-FKM | 1 | AUX316455 | | |
| 12413 | ◆ | FRONT COVER BEARING COMPLETE - CARBON BUSHING - FKM | 1 | AUX316185 | | |
| 12414 | | FRONT COVER BEARING | (1) | | | |
| 12415 | ◆ | BEARING BUSHING - CARBON | 1 | AUX316211 | | ● |
| 12415 | ◆ | BEARING BUSHING - BRONZE | 1 | AUX230189 | | ● |
| 12416 | | SEAL | (1) | | | ● |
| 12417 | | SCREW | (4) | | | |
| 12420 | | WASHER | (4) | | | |

A18 A

* 1, 2, 4... : Quantity in equipment - (1), (2), (4)... : Quantity in kit

| Item | Available | Description | Qty* | Ref. | Maintenance kit | Wear part |
|-----------------|-----------|--|------|------------------|-----------------|-----------|
| 12500 | ◆ | SHAFT COMPLETE | 1 | AUX316186 | | |
| 12501 | ◆ | SHAFT | 1 | AUX230250 | | |
| 12508 | ◆ | KEY | 1 | AUX211035 | | |
| 12508A | ◆ | KEY | 1 | AUX203857 | | |
| 12515 | ◆ | COMPLETE SLEEVE | 1 | AUX316212 | | |
| 12521 | | SLEEVE | (1) | | | |
| 12524 | | PIN | (1) | | | |
| 12598 | ◆ | PISTON BEARING, COMPLETE | 1 | AUX316213 | | |
| 12503 | | PISTON BEARING | (1) | | | ● |
| 12504 | | SPRING | (3) | | | |
| 12511 | | SCREW | (3) | | | |
| 12600A * | ◆ | MECHANICAL SEAL - MS C_S_FEP-FKM D35 | 1 | AUX316437 | ■ | |
| 12600A * | ◆ | MECHANICAL SEAL - MS C_S_FKM D35 | 1 | AUX316436 | ■ | |
| 12600A * | ◆ | MECHANICAL SEAL - MS T_T_FEP-FKM D35 | 1 | AUX316439 | ■ | |
| 12600A * | ◆ | MECHANICAL SEAL - MS T_T_FKM D35 | 1 | AUX316438 | ■ | |
| 12604 | | STATIONARY SEAL FACE | (1) | | | ● |
| 12619 | | BUSHING FOR FEP-FKM MECHANICAL SEAL | (1) | | | |
| 12640 | ◆ | DRIVER, COMPLETE D35 (FOR MOUVEX MECHANICAL SEAL) | 1 | AUX316424 | | |
| 12641 | | DRIVER | (1) | | | |
| 12642 | | SCREW | (2) | | | |
| 12697 | | ROTATING PART | (1) | | | ● |
| 12699 | ◆ | SET OF MECHANICAL SEAL SEALS - FEP-FKM | 1 | AUX316427 | | |
| 12699 | ◆ | SET OF MECHANICAL SEAL SEALS - FKM | 1 | AUX316426 | | |
| 12605 | | SEAL | (1) | | | ● |
| 12613 | | SEAL | (1) | | | ● |
| 12600B | ◆ | SHAFT SEALS STANDARDIZED IN ACCORDANCE M7N_35 C CSSP | 1 | AUX319741 | ■ | ● |
| 12600B | ◆ | SHAFT SEALS STANDARDIZED IN ACCORDANCE M7N_35 C CSSF | 1 | AUX315968 | ■ | ● |
| 12600B | ◆ | SHAFT SEALS STANDARDIZED IN ACCORDANCE M7N_35 C CSCSP | 1 | AUX319742 | ■ | ● |
| 12600B | ◆ | SHAFT SEALS STANDARDIZED IN ACCORDANCE M7N_35 C CSCSF | 1 | AUX315970 | ■ | ● |
| 12700 | ◆ | BEARING HOLDER PGSN - FKM | 1 | AUX316191 | | |
| 12700 | ◆ | BEARING HOLDER PGSN - FEP-FKM | 1 | AUX316453 | | |
| 12627 | ◆ | PIN | 1 | AUX200118 | | |
| 12701 | | BEARING CAGE | (1) | | | |
| 12703A | ◆ | BEARING & RING | 1 | AUX316430 | | |
| 12703 | | BEARING | (1) | | | ● |
| 12733 | | NILOS RING | (1) | | | |
| 12705 | | BEARING COVER | (1) | | | |
| 12708 | | GREASE NIPPLE | (1) | | | |
| 12797 | ◆ | BEARING SCREWS AND GASKET SET - FEP-FKM | 1 | AUX316433 | ■ | |
| 12797 | ◆ | BEARING SCREWS AND GASKET SET - FKM | 1 | AUX316432 | ■ | |
| 12704 | | RING | (1) | | | |
| 12706 | | SCREW | (4) | | | |
| 12706A | | SCREW | (1) | | | |
| 12707 | | LIP SEAL | (1) | | | |
| 12717 | | SEAL | (1) | | | ● |
| 12721 | | WASHER | (4) | | | |
| 12849 | ◆ | COMPLETE STIRRUP - FEP-FKM | 1 | AUX315871 | | |
| 12849 | ◆ | COMPLETE STIRRUP - FKM | 1 | AUX315870 | | |
| 44858 | ◆ | O-RING FKM | 2 | AUX200795 | | ● |
| 44858 | ◆ | SEAL FEP-FKM | 2 | AUX215301 | | ● |
| 44859 | | SCREW | (1) | | | |
| 44859A | | WASHER | (1) | | | |
| 44865 | | PLUG | (2) | | | |
| 44867 | | STIRRUP | (1) | | | |

* MS : Mouvex Seal T : Tungsten carbide C : Carbon S : Stainless steal

A18 A

* 1, 2, 4... : Quantity in equipment - (1), (2), (4)... : Quantity in kit

| Item | Available | Description | Qty* | Ref. | Maintenance kit | Wear part |
|--------|-----------|---|------|-----------|-----------------|-----------|
| 12820 | ◆ | SINGLE RELIEF VALVE, COMPLETE - C12 - FEP-FKM | 1 | AUX315861 | | |
| 12820 | ◆ | SINGLE RELIEF VALVE, COMPLETE - C12 - FKM | 1 | AUX315857 | | |
| 12820 | ◆ | SINGLE RELIEF VALVE, COMPLETE - C3 - FEP-FKM | 1 | AUX315858 | | |
| 12820 | ◆ | SINGLE RELIEF VALVE, COMPLETE - C3 - FKM | 1 | AUX315854 | | |
| 12820 | ◆ | SINGLE RELIEF VALVE, COMPLETE - C6 - FEP-FKM | 1 | AUX315859 | | |
| 12820 | ◆ | SINGLE RELIEF VALVE, COMPLETE - C6 - FKM | 1 | AUX315855 | | |
| 12820 | ◆ | SINGLE RELIEF VALVE, COMPLETE - C9 - FEP-FKM | 1 | AUX315860 | | |
| 12820 | ◆ | SINGLE RELIEF VALVE, COMPLETE - C9 - FKM | 1 | AUX315856 | | |
| 44820A | | INTERNAL RELIEF VALVE | (1) | | | |
| 44801 | | BYPASS BODY | (1) | | | |
| 44823 | | COMPENSATED VALVE | (1) | | | |
| 44827 | ◆ | INTERNAL RELIEF VALVE CAP | 1 | AUX228620 | | |
| 44856 | | SCREW | (3) | | | |
| 44857 | | PLUG | (1) | | | |
| 44898 | | ADJUSTING SCREW SET | (1) | | | |
| 44824 | | SPRING (6 BAR_9 BAR) | (1) | | | |
| 44824A | | COMPLETE SPRING (3 BAR_10 BAR) | (1) | | | |
| 44859 | | SCREW | (2) | | | |
| 44859A | | WASHER | (2) | | | |
| 44899 | ◆ | SET OF SEALS FOR RELIEF VALVE C - FEP-FKM | 1 | AUX313890 | | |
| 44899 | ◆ | SET OF SEALS FOR RELIEF VALVE C - FKM | 1 | AUX313889 | | |
| 44807 | | SEAL | (1) | | | ● |
| 44837 | | SEAL | (1) | | | ● |
| 44850 | | SEAL | (1) | | | ● |
| 44858 | ◆ | O-RING FKM | 2 | AUX200795 | | ● |
| 44858 | ◆ | SEAL FEP-FKM | 2 | AUX215301 | | ● |
| 12820A | ◆ | DOUBLE RELIEF VALVE, COMPLETE - C12 - FEP-FKM | 1 | AUX315869 | | |
| 12820A | ◆ | DOUBLE RELIEF VALVE, COMPLETE - C12 - FKM | 1 | AUX315865 | | |
| 12820A | ◆ | DOUBLE RELIEF VALVE, COMPLETE - C3 - FEP-FKM | 1 | AUX315866 | | |
| 12820A | ◆ | DOUBLE RELIEF VALVE, COMPLETE - C3 - FKM | 1 | AUX315862 | | |
| 12820A | ◆ | DOUBLE RELIEF VALVE, COMPLETE - C6 - FEP-FKM | 1 | AUX315867 | | |
| 12820A | ◆ | DOUBLE RELIEF VALVE, COMPLETE - C6 - FKM | 1 | AUX315863 | | |
| 12820A | ◆ | DOUBLE RELIEF VALVE, COMPLETE - C9 - FEP-FKM | 1 | AUX315868 | | |
| 12820A | ◆ | DOUBLE RELIEF VALVE, COMPLETE - C9 - FKM | 1 | AUX315864 | | |
| 44820A | | INTERNAL RELIEF VALVE | (1) | | | |
| 44801 | | BYPASS BODY | (1) | | | |
| 44823 | | COMPENSATED VALVE | (2) | | | |
| 44827 | ◆ | INTERNAL RELIEF VALVE CAP | 2 | AUX228620 | | |
| 44856 | | SCREW | (6) | | | |
| 44857 | | PLUG | (2) | | | |
| 44898 | | ADJUSTING SCREW SET | (2) | | | |
| 44824 | | SPRING (6 BAR_9 BAR) | (2) | | | |
| 44824A | | COMPLETE SPRING (3 BAR_10 BAR) | (2) | | | |
| 44859 | | SCREW | (2) | | | |
| 44859A | | WASHER | (2) | | | |
| 44899 | ◆ | SET OF SEALS FOR RELIEF VALVE 2C - FEP-FKM | 1 | AUX313892 | | |
| 44899 | ◆ | SET OF SEALS FOR RELIEF VALVE 2C - FKM | 1 | AUX313891 | | |
| 44807 | | SEAL | (2) | | | ● |
| 44837 | | SEAL | (2) | | | ● |
| 44850 | | SEAL | (2) | | | ● |
| 44858 | ◆ | O-RING FKM | 2 | AUX200795 | | ● |
| 44858 | ◆ | SEAL FEP-FKM | 2 | AUX215301 | | ● |

A18 A

* 1, 2, 4... : Quantity in equipment - (1), (2), (4)... : Quantity in kit

| Item | Available | Description | Qty* | Ref. | Maintenance kit | Wear part |
|--------|-----------|--|------|-----------|-----------------|-----------|
| 44898B | ◆ | PRESSURE SCREW ASSEMBLY + RELIEF VALVE SEALS - FEP-FKM | 1/2 | AUX316362 | | |
| 44898B | ◆ | PRESSURE SCREW ASSEMBLY + RELIEF VALVE SEALS - FKM | 1/2 | AUX316361 | | |
| 44807 | | SEAL | (1) | | | ● |
| 44837 | | SEAL | (1) | | | ● |
| 44898 | | ADJUSTING SCREW SET | (1) | | | |
| 44825 | | SPRING GUIDE | (1) | | | |
| 44826 | | ADJUSTING SCREW | (1) | | | |
| 44826A | | WASHER | (1) | | | |
| 44831 | | PIN | (1) | | | |
| 44834 | | NUT | (1) | | | |
| 44835 | | NUT | (1) | | | |
| 44824B | ◆ | COMPLETE SPRING + SEAL - RELIEF VALVE 3 BAR - FEP-FKM | 1/2 | AUX316367 | | |
| 44824B | ◆ | COMPLETE SPRING + SEAL - RELIEF VALVE 3 BAR - FKM | 1/2 | AUX316363 | | |
| 44807 | | SEAL | (1) | | | ● |
| 44824A | | SPRING, COMPLETE | (1) | | | |
| 44824 | | SPRING | (1) | | | |
| 44829 | | SPRING GUIDE | (1) | | | |
| 44824B | ◆ | SPRING + SEAL - RELIEF VALVE 6 BAR - FEP-FKM | 1/2 | AUX316368 | | |
| 44824B | ◆ | SPRING + SEAL - RELIEF VALVE 6 BAR - FKM | 1/2 | AUX316364 | | |
| 44824B | ◆ | SPRING + SEAL - RELIEF VALVE 9 BAR - FEP-FKM | 1/2 | AUX316369 | | |
| 44824B | ◆ | SPRING + SEAL - RELIEF VALVE 9 BAR - FKM | 1/2 | AUX316365 | | |
| 44807 | | SEAL | (1) | | | ● |
| 44824 | | SPRING | (1) | | | |
| 44824B | ◆ | COMPLETE SPRING + SEAL - RELIEF VALVE 10 BAR - FEP-FKM | 1/2 | AUX316370 | | |
| 44824B | ◆ | COMPLETE SPRING + SEAL - RELIEF VALVE 10 BAR - FKM | 1/2 | AUX316366 | | |
| 44807 | | SEAL | (1) | | | ● |
| 44824A | | SPRING, COMPLETE | (1) | | | |
| 44824 | | SPRING | (1) | | | |
| 44828 | | SPACER | (1) | | | |