



P.L. : 1013-H01

Effective
Replaces

April 2023
September 2022

PARTS LIST

PUMPS

H-FLO 11 S - H-FLO 15 S

H-FLO 25 S - H-FLO 40 S - H-FLO 50 S

H-FLO 65 S - H-FLO 65 HP

Keep this parts lists with Installation, Operation and Maintenance Instructions.

To order the required spare parts, indicate the desired Reference(s).

- ◆ Sets of parts or parts available to order.

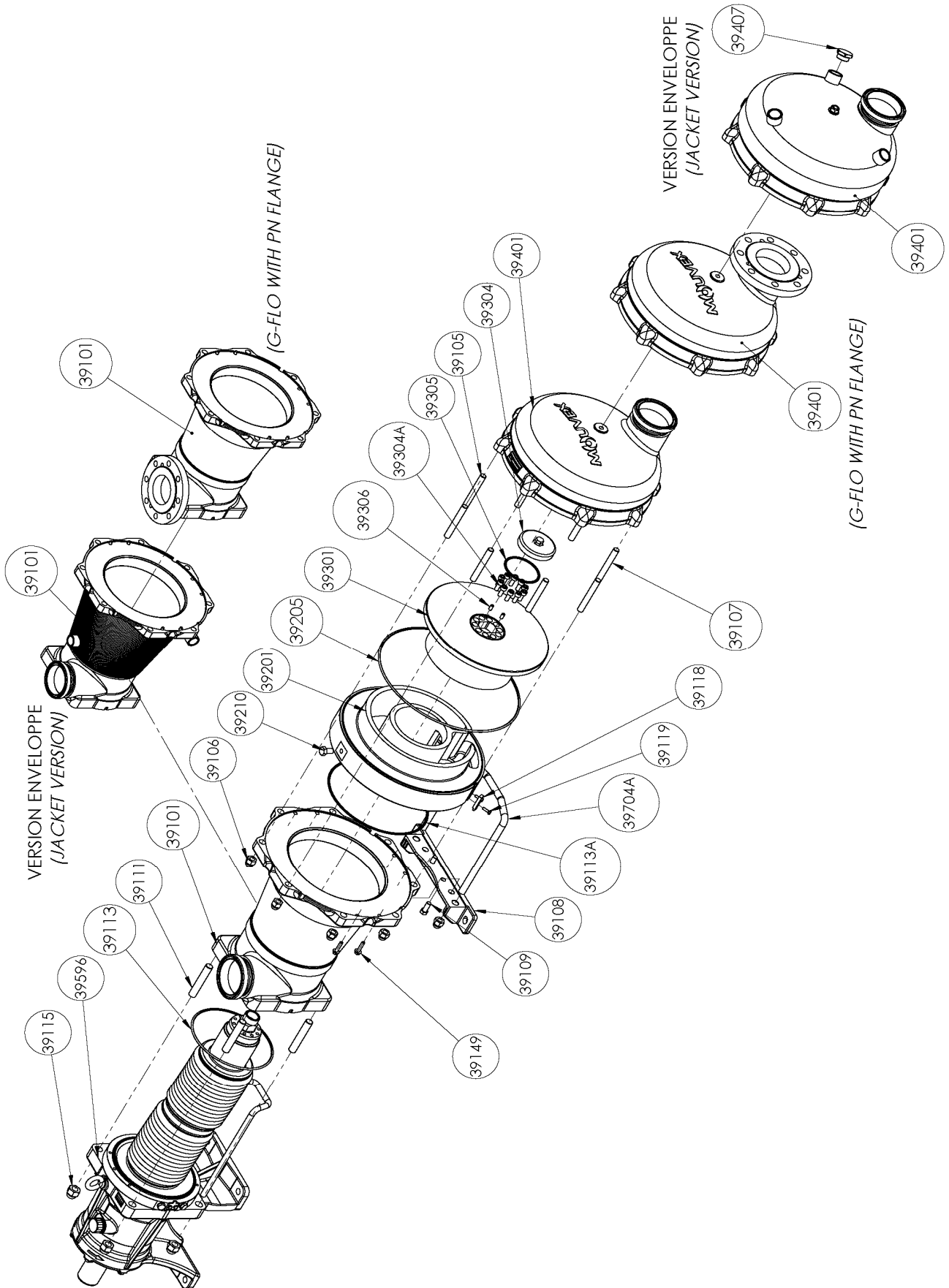
CVT : FEP encapsulated FKM

Z.I. la Plaine des Isles - 2 rue des Caillottes F-89000 AUXERRE - France

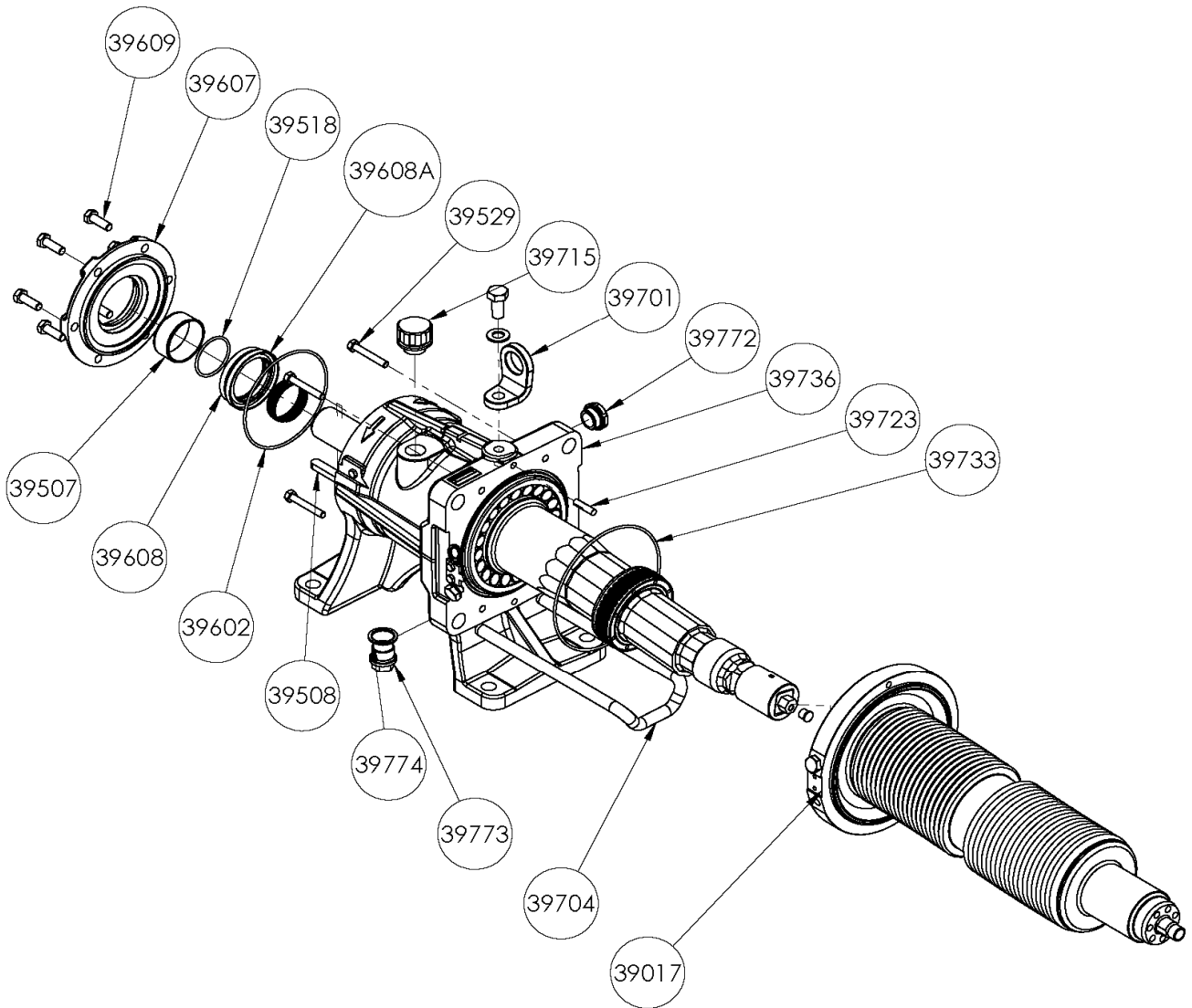
Tel : +33 (0)3 86 49 86 30 • Fax : +33 (0)3 86 49 87 17
contact.mouvex@psgdover.com • www.mouvex.com

H-FLO 11 S - H-FLO 15 S - H-FLO 25 S - H-FLO 40 S - H-FLO 50 S - H-FLO 65 S - H-FLO 65 HP

Standard & Jacketed pump



H-FLO 11 S - H-FLO 15 S - H-FLO 25 S - H-FLO 40 S - H-FLO 50 S - H-FLO 65 S - H-FLO 65 HP
Transmission



H-FLO 11 S - H-FLO 15 S

* 1, 2, 4... : Quantity in equipment - (1), (2), (4)... : Quantity in kit

Item	Available	Description	Qty*	Ref.	Maintenance kit	Wear part
39100	◆	MAIN BODY H FLO 11_15 - CONNECTIONS CLAMP ASME-BPE	1	AUX321069		
39100	◆	MAIN BODY H FLO 11_15 - CONNECTIONS CLAMP ISO 2852	1	AUX321070		
39100	◆	MAIN BODY H FLO 11_15 - CONNECTIONS DIN 11851	1	AUX321068		
39100	◆	MAIN BODY H FLO 11_15 - CONNECTIONS SMS	1	AUX321067		
39100	◆	MAIN BODY H FLO 11_15 - CONNECTIONS DIN 11864	1	AUX321071		
39100	◆	JACKETED MAIN BODY H FLO 11_15 - CONNECTIONS CLAMP ASME-BPE	1	AUX321081		
39100	◆	JACKETED MAIN BODY H FLO 11_15 - CONNECTIONS CLAMP ISO 2852	1	AUX321082		
39100	◆	JACKETED MAIN BODY H FLO 11_15 - CONNECTIONS DIN 11851	1	AUX321080		
39100	◆	JACKETED MAIN BODY H FLO 11_15 - CONNECTIONS SMS	1	AUX321079		
39100	◆	JACKETED MAIN BODY H FLO 11_15 - CONNECTIONS DIN 11864	1	AUX321083		
39100	◆	POLISH MAIN BODY H FLO 11_15 - CONNECTIONS CLAMP ASME-BPE	1	AUX321092		
39100	◆	POLISH MAIN BODY H FLO 11_15 - CONNECTIONS CLAMP ISO 2852	1	AUX321093		
39100	◆	POLISH MAIN BODY H FLO 11_15 - CONNECTIONS DIN 11851	1	AUX321091		
39100	◆	POLISH MAIN BODY H FLO 11_15 - CONNECTIONS SMS	1	AUX321090		
39100	◆	POLISH MAIN BODY H FLO 11_15 - CONNECTIONS DIN 11864	1	AUX321094		
39101		MAIN BODY	(1)			
39108		FOOT	(1)			
39109		SCREW	(2)			
39124		PLUG (JACKETED PUMP)	(1)			
39704A		BRACKET	(1)			
39110	◆	SCREWS SET FOR MAIN BODY_FRONT COVER G_H FLO 11_15 S	1	AUX321098		
39105		STUD	(6)			
39106		BLIND NUT	(8)			
39107		STUD	(2)			
39111		STUD	(4)			
39115		BLIND NUT	(4)			
39149		SCREW	(4)			
39200	◆	SET CYLINDER_PISTON G_H FLO 11 S	1	AUX321201	■	
39200	◆	SET CYLINDER_PISTON G_H FLO 15 S	1	AUX321099	■	
39118		INDEXER	(1)			
39119		SCREW	(2)			
39201		CYLINDER	(1)			●
39210		SCREW	(1)			
39301		PISTON	(1)			●
39304	◆	PISTON NUT G_H FLO 11_15 S	1	AUX242575		●
39304A		SCREW	(7)			
39304B		SCREW	(4)			
39206	◆	SET OF CVT CE1935/2004 'O' RING SEALS G_H FLO 11_15 S	1	AUX321096	■	
39206	◆	SET OF EPDM CE1935/2004 'O' RING SEALS G_H FLO 11_15 S	1	AUX321097	■	
39206	◆	SET OF FKM CE1935/2004 'O' RING SEALS G_H FLO 11_15 S	1	AUX321095	■	
39113		SEAL	(1)			●
39113A		SEAL	(1)			●
39205		SEAL	(1)			●
39305		SEAL	(1)			●
39306		SEAL	(1)			●
39401	◆	FRONT COVER H FLO 11_15 - CONNECTION CLAMP ASME BPE-2009	1	AUX321040		
39401	◆	FRONT COVER H FLO 11_15 - CONNECTION DIN11864	1	AUX321042		
39401	◆	FRONT COVER H FLO 11_15 - CONNECTION CLAMP ISO 2852	1	AUX321041		
39401	◆	FRONT COVER H FLO 11_15 - CONNECTION DIN11851	1	AUX321039		
39401	◆	FRONT COVER H FLO 11_15 - CONNECTION SMS	1	AUX321038		
39401	◆	JACKETED FRONT COVER H FLO 11_15 - CONNECTIONS CLAMP ASME-BPE	1	AUX321052		
39401	◆	JACKETED FRONT COVER H FLO 11_15 - CONNECTIONS CLAMP ISO 2852	1	AUX321053		
39401	◆	JACKETED FRONT COVER H FLO 11_15 - CONNECTIONS DIN 11851	1	AUX321051		
39401	◆	JACKETED FRONT COVER H FLO 11_15 - CONNECTIONS SMS	1	AUX321050		
39401	◆	JACKETED FRONT COVER H FLO 11_15 - CONNECTIONS DIN 11864	1	AUX321054		
39401	◆	POLISH FRONT COVER H FLO 11_15 - CONNECTIONS CLAMP ASME-BPE	1	AUX321058		
39401	◆	POLISH FRONT COVER H FLO 11_15 - CONNECTIONS CLAMP ISO 2852	1	AUX321059		
39401	◆	POLISH FRONT COVER H FLO 11_15 - CONNECTIONS DIN 11851	1	AUX321057		
39401	◆	POLISH FRONT COVER H FLO 11_15 - CONNECTIONS SMS	1	AUX321056		
39401	◆	POLISH FRONT COVER H FLO 11_15 - CONNECTIONS DIN 11864	1	AUX321060		

H-FLO 11 S - H-FLO 15 S

* 1, 2, 4... : Quantity in equipment - (1), (2), (4)... : Quantity in kit

Item	Available	Description	Qty*	Ref.	Maintenance kit	Wear part
		H FLO 11_15 S COMPLETE TRANSMISSION :				
		STANDARD				
39596	◆	STANDARD	1	AUX321250	■	●
39596*	◆	STANDARD_ECS	1	AUX321256	■	●
39596*	◆	STANDARD_ECS_OIL LEVEL SENSOR	1	AUX321257	■	●
39596*	◆	STANDARD_ATEX_ECS_OIL LEVEL SENSOR	1	AUX321292	■	●
		WITH BELLOWS MONITORING SYSTEM (BMS)				
39596*	◆	BMS	1	AUX321377	■	●
39596*	◆	BMS_ECS	1	AUX321379	■	●
39596*	◆	BMS_ECS_OIL LEVEL SENSOR	1	AUX321380	■	●
		WITH BELLOWS MONITORING SYSTEM (BMS) ATEX				
39596*	◆	BMS ATEX	1	AUX321378	■	●
39596*	◆	BMS ATEX_ECS	1	AUX321381	■	●
39596*	◆	BMS ATEX_ECS_OIL LEVEL SENSOR	1	AUX321382	■	●
39008A**	◆	SET PLUGS_LIFTING EYE BOLTS G_H FLO 11_15 S	1	AUX321100		
39008A**	◆	SET PLUGS_LIFTING EYE BOLTSE - ECS G_H FLO 11_15 S	1	AUX321113		
39701		LIFTING EYE BOLTS	(1)			
39701A		SCREW	(1)			
39701B		WASHER	(1)			
39715	◆	BREATHER (EXCEPT ECS)	1	AUX239151		●
39772		OIL LEVEL INDICATOR (EXCEPT ECS)	(1)			
39773		PLUG	(1)			
39774		SEAL WASHER	(1)			●
39009A**	◆	BEARING GASKETS_RINGS SET G_H FLO 11_15 S	1	AUX321101		
39498		BUSHING	(1)			
39507		SEAL RING	(1)			●
39518		SEAL	(1)			●
39602		SEAL	(1)			
39608		LIP SEAL	(1)			●
39608A		LIP SEAL	(1)			●
39733		O-RING	(1)			●

* ECS : EASY CLEAN SYSTEM - BMS : BELLOWS MONITORING SYSTEM

** Only for Agreed distributors

H-FLO 25 S

* 1, 2, 4... : Quantity in equipment - (1), (2), (4)... : Quantity in kit

Item	Available	Description	Qty*	Ref.	Maintenance kit	Wear part
39100	◆	MAIN BODY H FLO 25 - CONNECTIONS CLAMP ASME-BPE	1	AUX320956		
39100	◆	MAIN BODY H FLO 25 - CONNECTIONS CLAMP ISO 2852	1	AUX320957		
39100	◆	MAIN BODY H FLO 25 - CONNECTIONS DIN 11851	1	AUX320955		
39100	◆	MAIN BODY H FLO 25 - CONNECTIONS SMS	1	AUX320954		
39100	◆	MAIN BODY H FLO 25 - CONNECTIONS DIN 11864	1	AUX320958		
39100	◆	JACKETED MAIN BODY H FLO 25 - CONNECTIONS CLAMP ASME-BPE	1	AUX320969		
39100	◆	JACKETED MAIN BODY H FLO 25 - CONNECTIONS CLAMP ISO 2852	1	AUX320970		
39100	◆	JACKETED MAIN BODY H FLO 25 - CONNECTIONS DIN 11851	1	AUX320968		
39100	◆	JACKETED MAIN BODY H FLO 25 - CONNECTIONS SMS	1	AUX320967		
39100	◆	JACKETED MAIN BODY H FLO 25 - CONNECTIONS DIN 11864	1	AUX320971		
39100	◆	POLISH MAIN BODY H FLO 25 - CONNECTIONS CLAMP ASME-BPE	1	AUX320975		
39100	◆	POLISH MAIN BODY H FLO 25 - CONNECTIONS CLAMP ISO 2852	1	AUX320976		
39100	◆	POLISH MAIN BODY H FLO 25 - CONNECTIONS DIN 11851	1	AUX320974		
39100	◆	POLISH MAIN BODY H FLO 25 - CONNECTIONS SMS	1	AUX320973		
39100	◆	POLISH MAIN BODY H FLO 25 - CONNECTIONS DIN 11864	1	AUX320977		
39101		MAIN BODY	(1)			
39108		FOOT	(1)			
39109		SCREW	(2)			
39124		PLUG (JACKETED PUMP)	(1)			
39704A		BRACKET	(1)			
39110	◆	SCREWS SET FOR MAIN BODY_FRONT COVER G_H FLO 25 S	1	AUX320981		
39105		STUD	(6)			
39106		BLIND NUT	(8)			
39107		STUD	(2)			
39111		STUD	(4)			
39115		BLIND NUT	(4)			
39149		SCREW	(4)			
39200	◆	SET CYLINDER_PISTON G_H FLO 25 S	1	AUX321006	■	
39118		INDEXER	(1)			
39119		SCREW	(2)			
39201		CYLINDER	(1)			●
39210		SCREW	(1)			
39301		PISTON	(1)			●
39304	◆	PISTON NUT G_H FLO 25 S	1	AUX242327		●
39304A		SCREW	(7)			
39304B		SCREW	(4)			
39206	◆	SET OF CVT CE1935/2004 'O' RING SEALS G_H FLO 25 S	1	AUX320979	■	
39206	◆	SET OF EPDM CE1935/2004 'O' RING SEALS G_H FLO 25 S	1	AUX320980	■	
39206	◆	SET OF FKM CE1935/2004 'O' RING SEALS G_H FLO 25 S	1	AUX320978	■	
39113		SEAL	(1)			●
39113A		SEAL	(1)			●
39205		SEAL	(1)			●
39305		SEAL	(1)			●
39306		SEAL	(1)			●
39401	◆	FRONT COVER H FLO 25 - CONNECTION CLAMP ASME BPE-2009	1	AUX320921		
39401	◆	FRONT COVER H FLO 25 - CONNECTION DIN11864	1	AUX320923		
39401	◆	FRONT COVER H FLO 25 - CONNECTION CLAMP ISO 2852	1	AUX320922		
39401	◆	FRONT COVER H FLO 25 - CONNECTION DIN11851	1	AUX320920		
39401	◆	FRONT COVER H FLO 25 - CONNECTION SMS	1	AUX320919		
39401	◆	JACKETED FRONT COVER H FLO 25 - CONNECTIONS CLAMP ASME-BPE	1	AUX320950		
39401	◆	JACKETED FRONT COVER H FLO 25 - CONNECTIONS CLAMP ISO 2852	1	AUX320951		
39401	◆	JACKETED FRONT COVER H FLO 25 - CONNECTIONS DIN 11851	1	AUX320949		
39401	◆	JACKETED FRONT COVER H FLO 25 - CONNECTIONS SMS	1	AUX320948		
39401	◆	JACKETED FRONT COVER H FLO 25 - CONNECTIONS DIN 11864	1	AUX320952		
39401	◆	POLISH FRONT COVER H FLO 25 - CONNECTIONS CLAMP ASME-BPE	1	AUX320927		
39401	◆	POLISH FRONT COVER H FLO 25 - CONNECTIONS CLAMP ISO 2852	1	AUX320928		
39401	◆	POLISH FRONT COVER H FLO 25 - CONNECTIONS DIN 11851	1	AUX320926		
39401	◆	POLISH FRONT COVER H FLO 25 - CONNECTIONS SMS	1	AUX320925		
39401	◆	POLISH FRONT COVER H FLO 25 - CONNECTIONS DIN 11864	1	AUX320929		

H-FLO 25 S

* 1, 2, 4... : Quantity in equipment - (1), (2), (4)... : Quantity in kit

Item	Available	Description	Qty*	Ref.	Maintenance kit	Wear part
		H FLO 25 S COMPLETE TRANSMISSION :				
		STANDARD				
39596	◆	STANDARD	1	AUX321235	■	●
39596*	◆	STANDARD_ECS	1	AUX321240	■	●
39596*	◆	STANDARD_ECS_OIL LEVEL SENSOR	1	AUX321241	■	●
39596*	◆	STANDARD_ATEX_ECS_OIL LEVEL SENSOR	1	AUX321291	■	●
		WITH BELLOWS MONITORING SYSTEM (BMS)				
39596*	◆	BMS	1	AUX321340	■	●
39596*	◆	BMS_ECS	1	AUX321342	■	●
39596*	◆	BMS_ECS_OIL LEVEL SENSOR	1	AUX321343	■	●
		WITH BELLOWS MONITORING SYSTEM (BMS) ATEX				
39596*	◆	BMS ATEX	1	AUX321341	■	●
39596*	◆	BMS ATEX_ECS	1	AUX321344	■	●
39596*	◆	BMS ATEX_ECS_OIL LEVEL SENSOR	1	AUX321345	■	●
39008A**	◆	SET PLUGS_LIFTING EYE BOLTS	1	AUX320982		
39008A**	◆	SET PLUGS_LIFTING EYE BOLTSE - ECS	1	AUX320995		
39701		LIFTING EYE BOLTS	(1)			
39701A		SCREW	(1)			
39701B		WASHER	(1)			
39715	◆	BREATHER (EXCEPT ECS)	1	AUX239151		●
39772		OIL LEVEL INDICATOR (EXCEPT ECS)	(1)			
39773		PLUG	(1)			
39774		SEAL WASHER	(1)			●
39009A**	◆	BEARING GASKETS_RINGS SET	1	AUX320983		
39498		BUSHING	(1)			
39507		SEAL RING	(1)			●
39518		SEAL	(1)			●
39602		SEAL	(1)			
39608		LIP SEAL	(1)			●
39608A		LIP SEAL	(1)			●
39733		O-RING	(1)			●

* ECS : EASY CLEAN SYSTEM - BMS : BELLOWS MONITORING SYSTEM

** Only for Agreed distributors

H-FLO 40 S

* 1, 2,4... : Quantity in equipment - (1), (2), (4)... : Quantity in kit

Item	Available	Description	Qty*	Ref.	Maintenance kit	Wear part
39100	◆	MAIN BODY H FLO 40- CONNECTIONS CLAMP ASME-BPE	1	AUX320643		
39100	◆	MAIN BODY H FLO 40- CONNECTIONS CLAMP ISO 2852	1	AUX320644		
39100	◆	MAIN BODY H FLO 40- CONNECTIONS DIN 11851	1	AUX320642		
39100	◆	MAIN BODY H FLO 40- CONNECTIONS SMS	1	AUX320641		
39100	◆	MAIN BODY H FLO 40- CONNECTIONS DIN 11864	1	AUX320645		
39100	◆	JACKETED MAIN BODY H FLO 40 - CONNECTIONS CLAMP ASME-BPE	1	AUX320750		
39100	◆	JACKETED MAIN BODY H FLO 40 - CONNECTIONS CLAMP ISO 2852	1	AUX320751		
39100	◆	JACKETED MAIN BODY H FLO 40 - CONNECTIONS DIN 11851	1	AUX320749		
39100	◆	JACKETED MAIN BODY H FLO 40 - CONNECTIONS SMS	1	AUX320748		
39100	◆	JACKETED MAIN BODY H FLO 40 - CONNECTIONS DIN 11864	1	AUX320752		
39100	◆	POLISH MAIN BODY H FLO 40 - CONNECTIONS CLAMP ASME-BPE	1	AUX320832		
39100	◆	POLISH MAIN BODY H FLO 40 - CONNECTIONS CLAMP ISO 2852	1	AUX320833		
39100	◆	POLISH MAIN BODY H FLO 40 - CONNECTIONS DIN 11851	1	AUX320831		
39100	◆	POLISH MAIN BODY H FLO 40 - CONNECTIONS SMS	1	AUX320830		
39100	◆	POLISH MAIN BODY H FLO 40 - CONNECTIONS DIN 11864	1	AUX320834		
39101		MAIN BODY	(1)			
39108		FOOT	(1)			
39109		SCREW	(2)			
39124		PLUG (JACKETED PUMP)	(1)			
39704A		BRACKET	(1)			
39110	◆	SCREWS SET FOR MAIN BODY_FRONT COVER G_H FLO 40 S	1	AUX320768		
39105		STUD	(6)			
39106		BLIND NUT	(8)			
39107		STUD	(2)			
39111		STUD	(4)			
39115		BLIND NUT	(4)			
39149		SCREW	(4)			
39200	◆	SET CYLINDER_PISTON G_H FLO 40 S	1	AUX320662	■	
39118		INDEXER	(1)			
39119		SCREW	(2)			
39201		CYLINDER	(1)			●
39210		SCREW	(1)			
39301		PISTON	(1)			●
39304	◆	PISTON NUT G_H FLO 40 S	1	AUX240594		●
39304A		SCREW	(10)			
39306		SCREW	(2)			
39206	◆	SET OF CVT CE1935/2004 'O' RING SEALS G_H FLO 40 S	1	AUX320647	■	
39206	◆	SET OF EPDM CE1935/2004 'O' RING SEALS G_H FLO 40 S	1	AUX320648	■	
39206	◆	SET OF FKM CE1935/2004 'O' RING SEALS G_H FLO 40 S	1	AUX320646	■	
39113		SEAL	(1)			●
39113A		SEAL	(1)			●
39205		SEAL	(1)			●
39305		SEAL	(2)			●
39401	◆	FRONT COVER H FLO 40 CONNECTION CLAMP ASME BPE-2009	1	AUX320638		
39401	◆	FRONT COVER H FLO 40 CONNECTION DIN11864	1	AUX320639		
39401	◆	FRONT COVER H FLO 40 CONNECTION CLAMP ISO 2852	1	AUX320588		
39401	◆	FRONT COVER H FLO 40 CONNECTION DIN11851	1	AUX320637		
39401	◆	FRONT COVER H FLO 40 CONNECTION SMS	1	AUX320636		
39401	◆	JACKETED FRONT COVER H FLO 40 - CONNECTIONS CLAMP ASME-BPE	1	AUX320738		
39401	◆	JACKETED FRONT COVER H FLO 40 - CONNECTIONS CLAMP ISO 2852	1	AUX320739		
39401	◆	JACKETED FRONT COVER H FLO 40 - CONNECTIONS DIN 11851	1	AUX320737		
39401	◆	JACKETED FRONT COVER H FLO 40 - CONNECTIONS SMS	1	AUX320736		
39401	◆	JACKETED FRONT COVER H FLO 40 - CONNECTIONS DIN 11864	1	AUX320740		
39401	◆	POLISH FRONT COVER H FLO 40 - CONNECTIONS CLAMP ASME-BPE	1	AUX320821		
39401	◆	POLISH FRONT COVER H FLO 40 - CONNECTIONS CLAMP ISO 2852	1	AUX320822		
39401	◆	POLISH FRONT COVER H FLO 40 - CONNECTIONS DIN 11851	1	AUX320820		
39401	◆	POLISH FRONT COVER H FLO 40 - CONNECTIONS SMS	1	AUX320819		
39401	◆	POLISH FRONT COVER H FLO 40 - CONNECTIONS DIN 11864	1	AUX320823		

H-FLO 40 S

* 1, 2,4... : Quantity in equipment - (1), (2), (4)... : Quantity in kit

Item	Available	Description	Qty*	Ref.	Maintenance kit	Wear part
H FLO 40 S COMPLETE TRANSMISSION :						
STANDARD						
39596	◆	STANDARD	1	AUX321220	■	●
39596*	◆	STANDARD_ECS	1	AUX321225	■	●
39596*	◆	STANDARD_ECS_OIL LEVEL SENSOR	1	AUX321226	■	●
39596*	◆	STANDARD_ATEX_ECS_OIL LEVEL SENSOR	1	AUX320888	■	●
WITH BELLOWS MONITORING SYSTEM (BMS)						
39596*	◆	BMS	1	AUX321365	■	●
39596*	◆	BMS_ECS	1	AUX321367	■	●
39596*	◆	BMS_ECS_OIL LEVEL SENSOR	1	AUX321368	■	●
WITH BELLOWS MONITORING SYSTEM (BMS) ATEX						
39596*	◆	BMS ATEX	1	AUX321366	■	●
39596*	◆	BMS ATEX_ECS	1	AUX321369	■	●
39596*	◆	BMS ATEX_ECS_OIL LEVEL SENSOR	1	AUX321370	■	●
39008A**	◆	SET PLUGS_LIFTING EYE BOLTS	1	AUX320673		
39008A**	◆	SET PLUGS_LIFTING EYE BOLTSE - ECS	1	AUX320891		
39701		LIFTING EYE BOLTS	(1)			
39701A		SCREW	(1)			
39701B		WASHER	(1)			
39715	◆	BREATHER (EXCEPT ECS)	1	AUX239151		●
39772		OIL LEVEL INDICATOR (EXCEPT ECS)	(1)			
39773		PLUG	(1)			
39774		SEAL WASHER	(1)			●
39009A**	◆	BEARING GASKETS_RINGS SET	1	AUX320246		
39498		BUSHING	(1)			
39507		SEAL RING	(1)			●
39518		SEAL	(1)			●
39602		SEAL	(1)			
39608		LIP SEAL	(1)			●
39608A		LIP SEAL	(1)			●
39733		O-RING	(1)			●

* ECS : EASY CLEAN SYSTEM - BMS : BELLOWS MONITORING SYSTEM

** Only for Agreed distributors

H-FLO 50 S

* 1, 2,4... : Quantity in equipment - (1), (2), (4)... : Quantity in kit

Item	Available	Description	Qty*	Ref.	Maintenance kit	Wear part
39100	◆	MAIN BODY H FLO 50- CONNECTIONS CLAMP ASME-BPE	1	AUX320212		
39100	◆	MAIN BODY H FLO 50- CONNECTIONS CLAMP ISO 2852	1	AUX320213		
39100	◆	MAIN BODY H FLO 50- CONNECTIONS DIN 11851	1	AUX320211		
39100	◆	MAIN BODY H FLO 50- CONNECTIONS SMS	1	AUX320210		
39100	◆	MAIN BODY H FLO 50- CONNECTIONS DIN 11864	1	AUX320214		
39100	◆	JACKETED MAIN BODY H FLO 50 - CONNECTIONS CLAMP ASME-BPE	1	AUX320725		
39100	◆	JACKETED MAIN BODY H FLO 50 - CONNECTIONS CLAMP ISO 2852	1	AUX320726		
39100	◆	JACKETED MAIN BODY H FLO 50 - CONNECTIONS DIN 11851	1	AUX320724		
39100	◆	JACKETED MAIN BODY H FLO 50 - CONNECTIONS SMS	1	AUX320723		
39100	◆	JACKETED MAIN BODY H FLO 50 - CONNECTIONS DIN 11864	1	AUX320727		
39100	◆	POLISH MAIN BODY H FLO 50 - CONNECTIONS CLAMP ASME-BPE	1	AUX320847		
39100	◆	POLISH MAIN BODY H FLO 50 - CONNECTIONS CLAMP ISO 2852	1	AUX320848		
39100	◆	POLISH MAIN BODY H FLO 50 - CONNECTIONS DIN 11851	1	AUX320846		
39100	◆	POLISH MAIN BODY H FLO 50 - CONNECTIONS SMS	1	AUX320845		
39100	◆	POLISH MAIN BODY H FLO 50 - CONNECTIONS DIN 11864	1	AUX320849		
39101		MAIN BODY	(1)			
39108		FOOT	(1)			
39109		SCREW	(2)			
39124		PLUG (JACKETED PUMP)	(1)			
39704A		BRACKET	(1)			
39110	◆	SCREWS SET FOR MAIN BODY_FRONT COVER G_H FLO 50 S	1	AUX320236		
39105		STUD	(6)			
39106		BLIND NUT	(8)			
39107		STUD	(2)			
39111		STUD	(4)			
39115		BLIND NUT	(4)			
39200	◆	SET CYLINDER_PISTON G_H FLO 50 S	1	AUX320209	■	
39118		INDEXER	(1)			
39119		SCREW	(2)			
39201		CYLINDER	(1)			●
39210		SCREW	(1)			
39301		PISTON	(1)			●
39304	◆		1	AUX240325		●
39304A		SCREW	(8)			
39306		SCREW	(2)			
39206	◆	SET OF CVT CE1935/2004 'O' RING SEALS G_H FLO 50 S	1	AUX320186	■	
39206	◆	SET OF EPDM CE1935/2004 'O' RING SEALS G_H FLO 50 S	1	AUX320187	■	
39206	◆	SET OF FKM CE1935/2004 'O' RING SEALS G_H FLO 50 S	1	AUX320185	■	
39113		SEAL	(1)			●
39113A		SEAL	(1)			●
39205		SEAL	(1)			●
39305		SEAL	(2)			●
39401	◆	FRONT COVER H FLO 50 CONNECTION CLAMP ASME BPE-2009	1	AUX320600		
39401	◆	FRONT COVER H FLO 50 CONNECTION DIN11864	1	AUX320232		
39401	◆	FRONT COVER H FLO 50 CONNECTION CLAMP ISO 2852	1	AUX320231		
39401	◆	FRONT COVER H FLO 50 CONNECTION DIN11851	1	AUX320229		
39401	◆	FRONT COVER H FLO 50 CONNECTION SMS	1	AUX320228		
39401	◆	JACKETED FRONT COVER H FLO 50 - CONNECTIONS CLAMP ASME-BPE	1	AUX320713		
39401	◆	JACKETED FRONT COVER H FLO 50 - CONNECTIONS CLAMP ISO 2852	1	AUX320714		
39401	◆	JACKETED FRONT COVER H FLO 50 - CONNECTIONS DIN 11851	1	AUX320712		
39401	◆	JACKETED FRONT COVER H FLO 50 - CONNECTIONS SMS	1	AUX320711		
39401	◆	JACKETED FRONT COVER H FLO 50 - CONNECTIONS DIN 11864	1	AUX320715		
39401	◆	POLISH FRONT COVER H FLO 50 - CONNECTIONS CLAMP ASME-BPE	1	AUX320837		
39401	◆	POLISH FRONT COVER H FLO 50 - CONNECTIONS CLAMP ISO 2852	1	AUX320838		
39401	◆	POLISH FRONT COVER H FLO 50 - CONNECTIONS DIN 11851	1	AUX320836		
39401	◆	POLISH FRONT COVER H FLO 50 - CONNECTIONS SMS	1	AUX320835		
39401	◆	POLISH FRONT COVER H FLO 50 - CONNECTIONS DIN 11864	1	AUX320839		

H-FLO 50 S

* 1, 2,4... : Quantity in equipment - (1), (2), (4)... : Quantity in kit

Item	Available	Description	Qty*	Ref.	Maintenance kit	Wear part
H FLO 50 S COMPLETE TRANSMISSION :						
STANDARD						
39596	◆	STANDARD	1	AUX321205	■	●
39596*	◆	STANDARD_ECS	1	AUX321210	■	●
39596*	◆	STANDARD_ECS_OIL LEVEL SENSOR	1	AUX321211	■	●
39596*	◆	STANDARD_ATEX_ECS_OIL LEVEL SENSOR	1	AUX320887	■	●
WITH BELLOWS MONITORING SYSTEM (BMS)						
39596*	◆	BMS	1	AUX321353	■	●
39596*	◆	BMS_ECS	1	AUX321355	■	●
39596*	◆	BMS_ECS_OIL LEVEL SENSOR	1	AUX321356	■	●
WITH BELLOWS MONITORING SYSTEM (BMS) ATEX						
39596*	◆	BMS ATEX	1	AUX321354	■	●
39596*	◆	BMS ATEX_ECS	1	AUX321357	■	●
39596*	◆	BMS ATEX_ECS_OIL LEVEL SENSOR	1	AUX321358	■	●
39008A**	◆	SET PLUGS_LIFTING EYE BOLTS	1	AUX320673		
39008A**	◆	SET PLUGS_LIFTING EYE BOLTSE - ECS	1	AUX320891		
39701		LIFTING EYE BOLTS	(1)			
39701A		SCREW	(1)			
39701B		WASHER	(1)			
39715	◆	BREATHER (EXCEPT ECS)	1	AUX239151		●
39772		OIL LEVEL INDICATOR (EXCEPT ECS)	(1)			
39773		PLUG	(1)			
39774		SEAL WASHER	(1)			●
39009A**	◆	BEARING GASKETS_RINGS SET	1	AUX320116		
39498		BUSHING	(1)			
39507		SEAL RING	(1)			●
39518		SEAL	(1)			●
39602		SEAL	(1)			
39608		LIP SEAL	(1)			●
39608A		LIP SEAL	(1)			●
39733		O-RING	(1)			●

* ECS : EASY CLEAN SYSTEM - BMS : BELLOWS MONITORING SYSTEM

** Only for Agreed distributors

H-FLO 65 S

* 1, 2,4... : Quantity in equipment - (1), (2), (4)... : Quantity in kit

Item	Available	Description	Qty*	Ref.	Maintenance kit	Wear part
39100	◆	MAIN BODY H FLO 65- CONNECTIONS CLAMP ASME-BPE	1	AUX320131		
39100	◆	MAIN BODY H FLO 65- CONNECTIONS CLAMP ISO 2852	1	AUX320169		
39100	◆	MAIN BODY H FLO 65- CONNECTIONS DIN 11851	1	AUX320129		
39100	◆	MAIN BODY H FLO 65- CONNECTIONS SMS	1	AUX320127		
39100	◆	MAIN BODY H FLO 65- CONNECTIONS DIN 11864	1	AUX320172		
39100	◆	JACKETED MAIN BODY H FLO 65 - CONNECTIONS CLAMP ASME-BPE	1	AUX320775		
39100	◆	JACKETED MAIN BODY H FLO 65 - CONNECTIONS CLAMP ISO 2852	1	AUX320776		
39100	◆	JACKETED MAIN BODY H FLO 65 - CONNECTIONS DIN 11851	1	AUX320774		
39100	◆	JACKETED MAIN BODY H FLO 65 - CONNECTIONS SMS	1	AUX320773		
39100	◆	JACKETED MAIN BODY H FLO 65 - CONNECTIONS DIN 11864	1	AUX320777		
39100	◆	POLISH MAIN BODY H FLO 65 - CONNECTIONS CLAMP ASME-BPE	1	AUX320862		
39100	◆	POLISH MAIN BODY H FLO 65 - CONNECTIONS CLAMP ISO 2852	1	AUX320863		
39100	◆	POLISH MAIN BODY H FLO 65 - CONNECTIONS DIN 11851	1	AUX320861		
39100	◆	POLISH MAIN BODY H FLO 65 - CONNECTIONS SMS	1	AUX320860		
39100	◆	POLISH MAIN BODY H FLO 65 - CONNECTIONS DIN 11864	1	AUX320864		
39101		MAIN BODY	(1)			
39108		FOOT	(1)			
39109		SCREW	(2)			
39124		PLUG (JACKETED PUMP)	(1)			
39704A		BRACKET	(1)			
39110	◆	SCREWS SET FOR MAIN BODY_FRONT COVER G_H FLO 65	1	AUX319937		
39105		STUD	(6)			
39106		BLIND NUT	(8)			
39107		STUD	(2)			
39111		STUD	(4)			
39115		BLIND NUT	(4)			
39200	◆	SET CYLINDER_PISTON G_H FLO 65 S	1	AUX319913	■	
39118		INDEXER	(1)			
39119		SCREW	(2)			
39201		CYLINDER	(1)			●
39210		SCREW	(1)			
39301		PISTON	(1)			●
39304	◆		1	AUX239099		●
39304A		SCREW	(10)			
39306		SCREW	(2)			
39206	◆	SET OF CVT CE1935/2004 'O' RING SEALS G_H FLO 65	1	AUX319929	■	
39206	◆	SET OF EPDM CE1935/2004 'O' RING SEALS G_H FLO 65	1	AUX319950	■	
39206	◆	SET OF FKM CE1935/2004 'O' RING SEALS G_H FLO 65	1	AUX319945	■	
39113		SEAL	(1)			●
39113A		SEAL	(1)			●
39205		SEAL	(1)			●
39305		SEAL	(2)			●
39401	◆	FRONT COVER H FLO 65 CONNECTION DIN11864	1	AUX320174		
39401	◆	FRONT COVER H FLO 65 CONNECTION CLAMP ISO 2852	1	AUX320171		
39401	◆	FRONT COVER H FLO 65 CONNECTION CLAMP ASME BPE-2009	1	AUX320602		
39401	◆	FRONT COVER H FLO 65 CONNECTION DIN11851	1	AUX320134		
39401	◆	FRONT COVER H FLO 65 CONNECTION SMS	1	AUX320133		
39401	◆	JACKETED FRONT COVER H FLO 65 - CONNECTIONS CLAMP ASME-BPE	1	AUX320762		
39401	◆	JACKETED FRONT COVER H FLO 65 - CONNECTIONS CLAMP ISO 2852	1	AUX320763		
39401	◆	JACKETED FRONT COVER H FLO 65 - CONNECTIONS DIN 11851	1	AUX320761		
39401	◆	JACKETED FRONT COVER H FLO 65 - CONNECTIONS SMS	1	AUX320760		
39401	◆	JACKETED FRONT COVER H FLO 65 - CONNECTIONS DIN 11864	1	AUX320764		
39401	◆	POLISH FRONT COVER H FLO 65 - CONNECTIONS CLAMP ASME-BPE	1	AUX320852		
39401	◆	POLISH FRONT COVER H FLO 65 - CONNECTIONS CLAMP ISO 2852	1	AUX320853		
39401	◆	POLISH FRONT COVER H FLO 65 - CONNECTIONS DIN 11851	1	AUX320851		
39401	◆	POLISH FRONT COVER H FLO 65 - CONNECTIONS SMS	1	AUX320850		
39401	◆	POLISH FRONT COVER H FLO 65 - CONNECTIONS DIN 11864	1	AUX320854		

H-FLO 65 S

* 1, 2,4... : Quantity in equipment - (1), (2), (4)... : Quantity in kit

Item	Available	Description	Qty*	Ref.	Maintenance kit	Wear part
39596	◆	H FLO 65 COMPLETE TRANSMISSION :	1	AUX321204	■	●
39599		TRANSMISSION	(1)			
39008A**	◆	SET PLUGS_LIFTING EYE BOLTS	1	AUX319682		
39701		LIFTING EYE BOLTS	(1)			
39715	◆	BREATHER	1	AUX239151		●
39772		OIL LEVEL INDICATOR	(1)			
39773		PLUG	(1)			
39774		SEAL WASHER	(1)			●
39009A**	◆	BEARING GASKETS _ RING SET	1	AUX319683		
39507		INTERNAL RING	(1)			●
39516		CIRCLIPS	(1)			
39518		O-RING FKM	(1)			●
39602		SEAL	(1)			
39608		LIP SEAL	(1)			●
39608A		LIP SEAL	(1)			●
39733		SEAL	(1)			●

** Only for Agreed distributors

H-FLO 65 HP

* 1, 2,4... : Quantity in equipment - (1), (2), (4)... : Quantity in kit

Item	Available	Description	Qty*	Ref.	Maintenance kit	Wear part
39100	◆	MAIN BODY H FLO 65- CONNECTIONS CLAMP ASME-BPE	1	AUX320131		
39100	◆	MAIN BODY H FLO 65- CONNECTIONS CLAMP ISO 2852	1	AUX320169		
39100	◆	MAIN BODY H FLO 65- CONNECTIONS DIN 11851	1	AUX320129		
39100	◆	MAIN BODY H FLO 65- CONNECTIONS SMS	1	AUX320127		
39100	◆	MAIN BODY H FLO 65- CONNECTIONS DIN 11864	1	AUX320172		
39100	◆	JACKETED MAIN BODY H FLO 65 - CONNECTIONS CLAMP ASME-BPE	1	AUX320775		
39100	◆	JACKETED MAIN BODY H FLO 65 - CONNECTIONS CLAMP ISO 2852	1	AUX320776		
39100	◆	JACKETED MAIN BODY H FLO 65 - CONNECTIONS DIN 11851	1	AUX320774		
39100	◆	JACKETED MAIN BODY H FLO 65 - CONNECTIONS SMS	1	AUX320773		
39100	◆	JACKETED MAIN BODY H FLO 65 - CONNECTIONS DIN 11864	1	AUX320777		
39100	◆	POLISH MAIN BODY H FLO 65 - CONNECTIONS CLAMP ASME-BPE	1	AUX320862		
39100	◆	POLISH MAIN BODY H FLO 65 - CONNECTIONS CLAMP ISO 2852	1	AUX320863		
39100	◆	POLISH MAIN BODY H FLO 65 - CONNECTIONS DIN 11851	1	AUX320861		
39100	◆	POLISH MAIN BODY H FLO 65 - CONNECTIONS SMS	1	AUX320860		
39100	◆	POLISH MAIN BODY H FLO 65 - CONNECTIONS DIN 11864	1	AUX320864		
39101		MAIN BODY	(1)			
39108		FOOT	(1)			
39109		SCREW	(2)			
39124		PLUG (JACKETED PUMP)	(1)			
39704A		BRACKET	(1)			
39110	◆	SCREWS SET FOR MAIN BODY_FRONT COVER G_H FLO 65	1	AUX319937		
39105		STUD	(6)			
39106		BLIND NUT	(8)			
39107		STUD	(2)			
39111		STUD	(4)			
39115		BLIND NUT	(4)			
39200	◆	SET CYLINDER_PISTON G_H FLO 65 HP	1	AUX319947	■	
39118		INDEXER	(1)			
39119		SCREW	(2)			
39201		CYLINDER	(1)			●
39210		SCREW	(1)			
39301		PISTON	(1)			●
39304	◆	PISTON NUT G_H FLO 65	1	AUX239099		●
39304A		SCREW	(10)			
39306		SCREW	(2)			
39206	◆	SET OF CVT CE1935/2004 'O' RING SEALS G_H FLO 65	1	AUX319929	■	
39206	◆	SET OF EPDM CE1935/2004 'O' RING SEALS G_H FLO 65	1	AUX319950	■	
39206	◆	SET OF FKM CE1935/2004 'O' RING SEALS G_H FLO 65	1	AUX319945	■	
39113		SEAL	(1)			●
39113A		SEAL	(1)			●
39205		SEAL	(1)			●
39305		SEAL	(2)			●
39401	◆	FRONT COVER H FLO 65 CONNECTION DIN11864	1	AUX320174		
39401	◆	FRONT COVER H FLO 65 CONNECTION CLAMP ISO 2852	1	AUX320171		
39401	◆	FRONT COVER H FLO 65 CONNECTION CLAMP ASME BPE-2009	1	AUX320602		
39401	◆	FRONT COVER H FLO 65 CONNECTION DIN11851	1	AUX320134		
39401	◆	FRONT COVER H FLO 65 CONNECTION SMS	1	AUX320133		
39401	◆	JACKETED FRONT COVER H FLO 65 - CONNECTIONS CLAMP ASME-BPE	1	AUX320762		
39401	◆	JACKETED FRONT COVER H FLO 65 - CONNECTIONS CLAMP ISO 2852	1	AUX320763		
39401	◆	JACKETED FRONT COVER H FLO 65 - CONNECTIONS DIN 11851	1	AUX320761		
39401	◆	JACKETED FRONT COVER H FLO 65 - CONNECTIONS SMS	1	AUX320760		
39401	◆	JACKETED FRONT COVER H FLO 65 - CONNECTIONS DIN 11864	1	AUX320764		
39401	◆	POLISH FRONT COVER H FLO 65 - CONNECTIONS CLAMP ASME-BPE	1	AUX320852		
39401	◆	POLISH FRONT COVER H FLO 65 - CONNECTIONS CLAMP ISO 2852	1	AUX320853		
39401	◆	POLISH FRONT COVER H FLO 65 - CONNECTIONS DIN 11851	1	AUX320851		
39401	◆	POLISH FRONT COVER H FLO 65 - CONNECTIONS SMS	1	AUX320850		
39401	◆	POLISH FRONT COVER H FLO 65 - CONNECTIONS DIN 11864	1	AUX320854		

H-FLO 65 HP

* 1, 2,4... : Quantity in equipment - (1), (2), (4)... : Quantity in kit

Item	Available	Description	Qty*	Ref.	Maintenance kit	Wear part
39596	◆	H FLO 65 COMPLETE TRANSMISSION :	1	AUX321204	■	●
39599		TRANSMISSION	(1)			
39008A**	◆	SET PLUGS_LIFTING EYE BOLTS	1	AUX319682		
39701		LIFTING EYE BOLTS	(1)			
39715	◆	BREATHER	1	AUX239151		●
39772		OIL LEVEL INDICATOR	(1)			
39773		PLUG	(1)			
39774		SEAL WASHER	(1)			●
39009A**	◆	BEARING GASKETS _ RING SET	1	AUX319683		
39507		INTERNAL RING	(1)			●
39516		CIRCLIPS	(1)			
39518		O-RING FKM	(1)			●
39602		SEAL	(1)			
39608		LIP SEAL	(1)			●
39608A		LIP SEAL	(1)			●
39733		SEAL	(1)			●

** Only for Agreed distributors