

PARTS LIST
SCREW COMPRESSOR
MISTRAL

Keep this parts lists with Installation, Operation and Maintenance Instructions.

To order the required spare parts, indicate the desired Reference(s).

- ◆ Sets of parts or parts available to order.

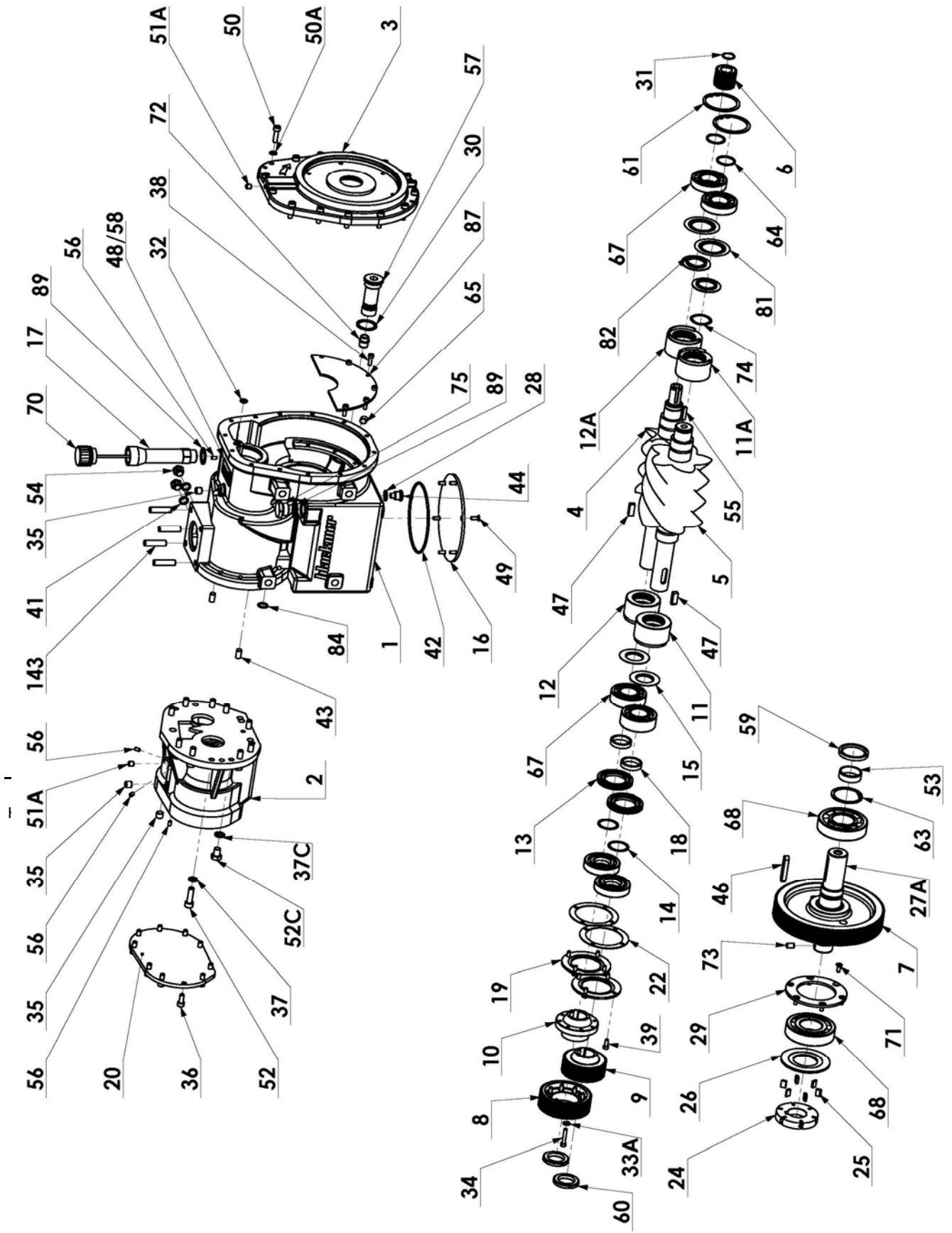
[PSM] : ONLY FOR "MOUVEX SERVICE POINTS"

Z.I. la Plaine des Isles - 2 rue des Caillottes F-89000 AUXERRE - France

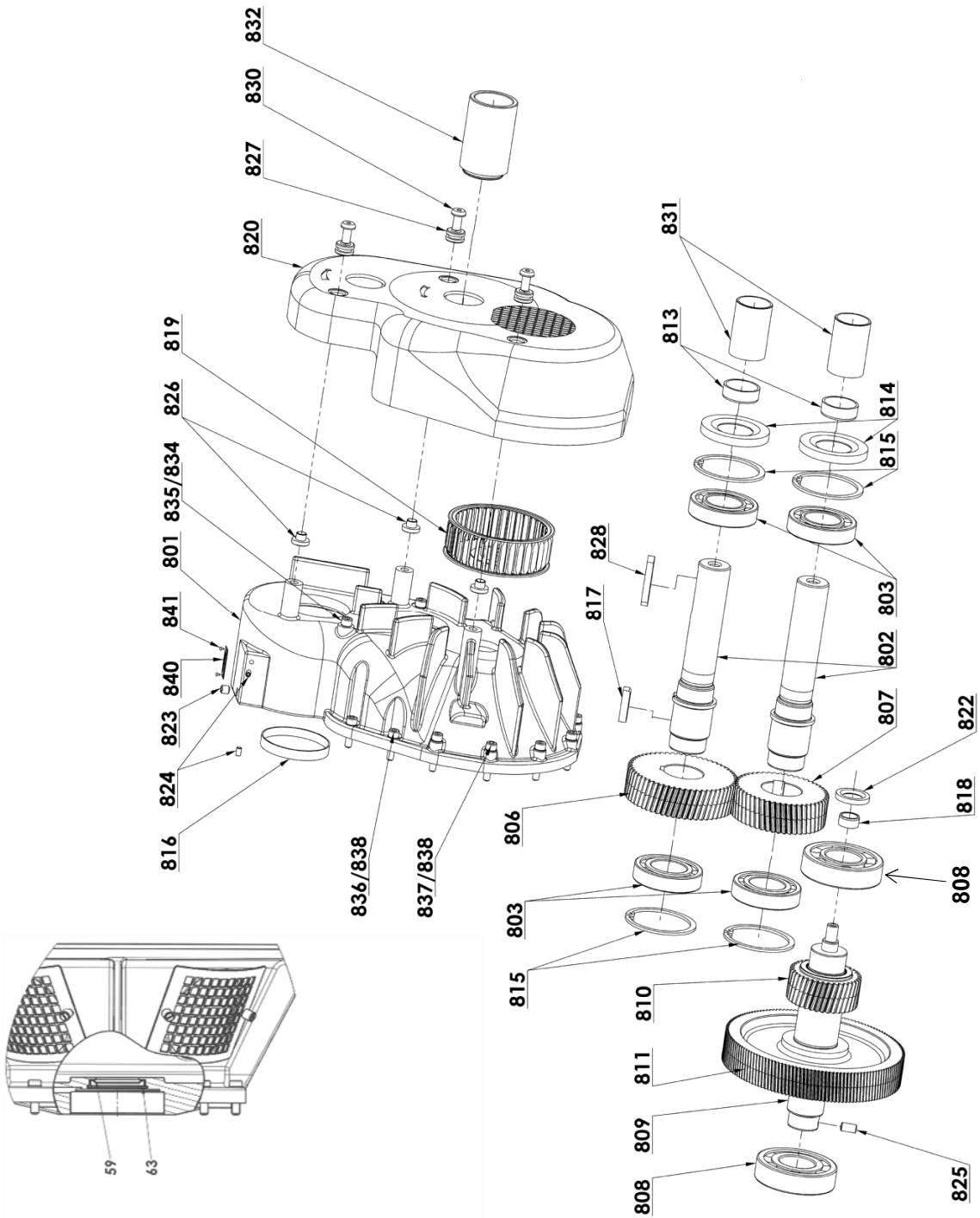
Tel : +33 (0)3 86 49 86 30 • Fax : +33 (0)3 86 49 87 17

contact.mouvex@psgdover.com • www.mouvex.com

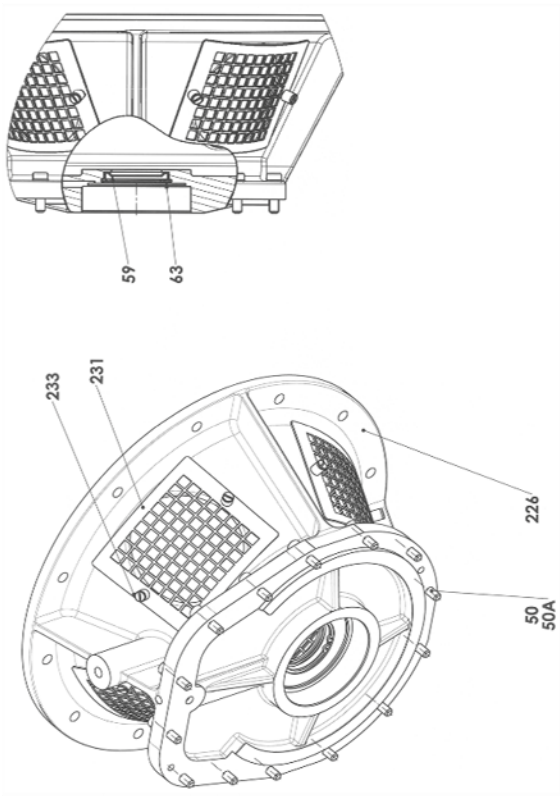
MISTRAL



MULTIPLIER



TRUNK



TOOLS (ONLY FOR MOUVEX Mistral SERVICE POINTS)



AUX231193



AUX231174



AUX231175



AUX229072



AUX229075



AUX317185



AUX231176



AUX317186

TOOLS (ONLY FOR MOUVEX Mistral SERVICE POINTS)



AUX317163



AUX317189



AUX317187



AUX316024



AUX317346

MISTRAL

* 1, 2, 4... : Quantity in equipment - (1), (2), (4)... : Quantity in kit

Item	Available	Description	Qty*	Ref.	Maintenance kit	Wear part
1	◆	BODY	1	AUX219133		
24	◆	ROTOR	1	AUX219140		●
44	◆	MAGNETIC PLUG	1	AUX215228		
91	◆	SET SEAL AND SLEEVE FOR SHAFT	1	AUX312135	■	
59	◆	LIP SEAL	1	AUX215438		●
53		SLEEVE	(1)			●
96	◆	KIT OIL FILTER MISTRAL B600 TYPHON II	1	AUX312112	■	
50B		SEAL WASHER	(1)			●
57A		STRAINER	(1)			●
116	◆	GASKET	1	AUX219281	■	
141A	◆	GASKET	1	AUX219281	■	
146	◆	GEAR BOX ASSEMBLY MISTRAL (NOT ASSEMBLED) [PSM]	1	AUX314678		
10		BRACKET	(1)			
13		LUBRIFICATION SPACER	(2)			
14		SET OF SHIMS	(2)			
15		CENTRIFUGATION DISK	(2)			
18		SPACER	(2)			
19		BEARING FLANGE	(2)			
20		COVER	(1)			
22		SET OF SHIMS	(1)			
33A		WASHER	(8)			
34		SCREW	(8)			
35A		PLUG	(1)			
36		SCREW	(10)			
37		SCREW	(10)			
37C		SCREW	(2)			
39A		SCREW	(8)			
47		KEY	(2)			
51A		PLUG	(2)			
52A		WASHER	(10)			
52C		WASHER	(2)			
56A		SCREW	(3)			
60		BEARING NUT	(2)			
67A		BALL BEARING	(2)			
69		THRUST BALL BEARING	(2)			
84		O-RING	(1)			
145	◆	SET OF SCREWS MISTRAL [PSM]	1	AUX312133		
212	◆	GEAR BOX AND SEALS 11 12 TYPHON II MISTRAL (NOT ASSEMBLED) [PSM]	1	AUX308712		
2	◆	GEAR BOX MISTRAL TYPHON II [PSM]	1	AUX212999		
11		BRONZE SEAL (RIGHT) (11 AND 12A)	(1)			
12		BRONZE SEAL (LEFT) (11A AND 12)	(1)			
167	◆	MULTIPLIER 20R	1	AUX312134		
167	◆	MULTIPLIER 30R	1	AUX312171		
6		SMALL GEAR	(1)			
7		LARGE GEAR	(1)			
27A		INLET SHAFT	(1)			
31		CIRCLIPS	(1)			
32		SEAL	(1)			
55		KEY	(1)			

MISTRAL

* 1, 2, 4... : Quantity in equipment - (1), (2), (4)... : Quantity in kit

Item	Available	Description	Qty*	Ref.	Maintenance kit	Wear part
230	◆	COMPRESSOR SAE4 TRUNK KIT (MISTRAL B600 TYPHON II)	1	AUX314890		
46		KEY	(1)			
50		SCREW	(14)			
50A		WASHER	(14)			
59	◆	LIP SEAL	1	AUX215438		●
63		CIRCLIPS	(1)			
226		BEARING HOUSING TRUNK	(1)			
832	◆	SAE4 TRUNK GRID KIT	4	AUX315575		
231		GRID	(1)			
233		SCREW	(2)			
373	◆	OIL DIPSTICK ASSEMBLY MISTRAL TYPHON II	1	AUX312656	■	
17		OIL DIPSTICK PIPE	(1)			
70	◆	DIPSTICK	1	AUX312655		
75		PLUG	(1)			
89		SEAL WASHER	(2)			
800	◆	MULTIPLIER 13R 15L	1	AUX313507	■	
800	◆	MULTIPLIER 19R 22L	1	AUX313964	■	
32		SEAL	(1)			
801		BODY	(1)			
802		INLET SHAFT	(2)			
803		BALL BEARING	(4)			
806		GEAR 58 TEETH	(1)			
807		GEAR 50 TEETH	(1)			
808		BALL BEARING	(2)			
809		SECONDARY SHAFT	(1)			
810		SMALL GEAR	(1)			
811		LARGE GEAR	(1)			
813	◆	SLEEVE	2	AUX215763		●
814	◆	LIP SEAL	2	AUX220799		●
815		CIRCLIPS	(4)			
816		PLUG	(2)			
817		KEY	(2)			
818		SLEEVE	(1)			●
819	◆	FAN	1	AUX220801		
820	◆	COVER	1	AUX223103		
822		LIP SEAL	(1)			●
823		PLUG	(1)			
824		SCREW	(2)			
825		PIN	(1)			
826		SPACER	(3)			
827	◆	RUBBER RING	3	AUX220803		
828	◆	KEY	1	AUX210995		
830		SCREW	(3)			
831		SPACER	(1)			
832	◆	SHAFT PROTECTOR	1	AUX222835		
834		SEAL WASHER	(3)			
835		SCREW	(3)			
836		SCREW	(4)			
837		SCREW	(6)			
838		WASHER	(10)			
839		SCREW	(1)			
840		SERIAL NUMBER PLATE	(1)			
841		RIVET	(2)			
842		O-RING	(2)			

MISTRAL

* 1, 2, 4... : Quantity in equipment - (1), (2), (4)... : Quantity in kit

Item	Available	Description	Qty*	Ref.	Maintenance kit	Wear part
945	◆	MISTRAL REPAIR KIT LEVEL 1 (NOT ASSEMBLED EXCEPT SCREW KIT) [PSM]	1	AUX318513		
7		LARGE GEAR	(1)			
11A		BRONZE SEAL (LEFT) (11A AND 12)	(1)			
12A		BRONZE SEAL (RIGHT) (11 AND 12A)	(1)			
24	◆	ROTOR	1	AUX219140		●
25A	◆	SET OF 6 VANES FOR IL PUMP	1	AUX320071		
25		VANE	(6)			●
26		COVER	(1)			
27A		INLET SHAFT	(1)			
29		BEARING CAP	(1)			
46		KEY	(1)			
53		SLEEVE	(1)			●
59	◆	LIP SEAL	1	AUX215438		●
61		CIRCLIPS	(2)			
63		CIRCLIPS	(1)			
64		CIRCLIPS	(2)			
67		BALL BEARING	(2)			
68		BALL BEARING	(2)			
71		SCREW	(6)			
73		PIN	(1)			
74		SPRING	(2)			
81		BEARING SEAL	(2)			
82		CENTRIFUGATION DISK	(2)			
950	◆	SCREW KIT MISTRAL N 20R ASSEMBLY [PSM]	1	AUX314679	■	
6		SMALL GEAR	(1)			
31		CIRCLIPS	(1)			
32		SEAL	(1)			
55		KEY	(1)			
146	◆	GEAR BOX ASSEMBLY MISTRAL (NOT ASSEMBLED) [PSM]	1	AUX314678		
10		BRACKET	(1)			
13		LUBRIFICATION SPACER	(2)			
14		SET OF SHIMS	(2)			
15		CENTRIFUGATION DISK	(2)			
18		SPACER	(2)			
19		BEARING FLANGE	(2)			
20		COVER	(1)			
22		SET OF SHIMS	(1)			
33A		WASHER	(8)			
34		SCREW	(8)			
35A		PLUG	(1)			
36		SCREW	(10)			
37		SCREW	(10)			
37C		SCREW	(2)			
39A		SCREW	(8)			
47		KEY	(2)			
51A		PLUG	(2)			
52A		WASHER	(10)			
52C		WASHER	(2)			
56A		SCREW	(3)			
60		BEARING NUT	(2)			
67A		BALL BEARING	(2)			
69		THRUST BALL BEARING	(2)			
84		O-RING	(1)			
145	◆	SET OF SCREWS MISTRAL [PSM]	1	AUX312133		
212	◆	GEAR BOX AND SEALS 11 12 TYPHON II MISTRAL (NOT ASSEMBLED) [PSM]	1	AUX308712		
2	◆	GEAR BOX MISTRAL TYPHON II [PSM]	1	AUX212999		
11		BRONZE SEAL (RIGHT) (11 AND 12A)	(1)			
12		BRONZE SEAL (LEFT) (11A AND 12)	(1)			
189		SYNCHRONIZATION GEARS	(1)			

MISTRAL

* 1, 2, 4... : Quantity in equipment - (1), (2), (4)... : Quantity in kit

Item	Available	Description	Qty*	Ref.	Maintenance kit	Wear part
946	◆	MISTRAL REPAIR KIT LEVEL 2 (NOT ASSEMBLED) [PSM]	1	AUX318516		
10		BRACKET	(1)			
11		BRONZE SEAL (RIGHT) (11 AND 12A)	(1)			
11A		BRONZE SEAL (LEFT) (11A AND 12)	(1)			
12		BRONZE SEAL (LEFT) (11A AND 12)	(1)			
12A		BRONZE SEAL (RIGHT) (11 AND 12A)	(1)			
13		LUBRIFICATION SPACER	(2)			
14		SET OF SHIMS	(2)			
15		CENTRIFUGATION DISK	(2)			
18		SPACER	(2)			
19		BEARING FLANGE	(2)			
22		SET OF SHIMS	(1)			
33A		WASHER	(8)			
34		SCREW	(8)			
39A		SCREW	(8)			
47		KEY	(2)			
55		KEY	(1)			
60		BEARING NUT	(2)			
61		CIRCLIPS	(2)			
64		CIRCLIPS	(2)			
74		SPRING	(2)			
81		BEARING SEAL	(2)			
82		CENTRIFUGATION DISK	(2)			
145	◆	SET OF SCREWS MISTRAL [PSM]	1	AUX312133		
189		SYNCHRONIZATION GEARS	(1)			
947	◆	MISTRAL REPAIR KIT LEVEL 3 (NOT ASSEMBLED) [PSM]	1	AUX318518		
10		BRACKET	(1)			
11		BRONZE SEAL (RIGHT) (11 AND 12A)	(1)			
11A		BRONZE SEAL (LEFT) (11A AND 12)	(1)			
12		BRONZE SEAL (LEFT) (11A AND 12)	(1)			
12A		BRONZE SEAL (RIGHT) (11 AND 12A)	(1)			
13		LUBRIFICATION SPACER	(2)			
14		SET OF SHIMS	(2)			
15		CENTRIFUGATION DISK	(2)			
18		SPACER	(2)			
19		BEARING FLANGE	(2)			
22		SET OF SHIMS	(1)			
33A		WASHER	(8)			
34		SCREW	(8)			
39A		SCREW	(8)			
60		BEARING NUT	(2)			
61		CIRCLIPS	(2)			
64		CIRCLIPS	(2)			
74		SPRING	(2)			
81		BEARING SEAL	(2)			
82		CENTRIFUGATION DISK	(2)			
948	◆	BUSHINGS KIT TYPHON II_MISTRAL [PSM]	1	AUX319157		
11		BRONZE SEAL (RIGHT) (11 AND 12A)	(1)			
12		BRONZE SEAL (LEFT) (11A AND 12)	(1)			

MISTRAL

* 1, 2, 4... : Quantity in equipment - (1), (2), (4)... : Quantity in kit

Item	Available	Description	Qty*	Ref.	Maintenance kit	Wear part
950	◆	SCREW KIT MISTRAL N 20R ASSEMBLY [PSM]	1	AUX314679	■	
6		SMALL GEAR	(1)			
31		CIRCLIPS	(1)			
32		SEAL	(1)			
55		KEY	(1)			
146	◆	GEAR BOX ASSEMBLY MISTRAL (NOT ASSEMBLED) [PSM]	1	AUX314678		
10		BRACKET	(1)			
13		LUBRIFICATION SPACER	(2)			
14		SET OF SHIMS	(2)			
15		CENTRIFUGATION DISK	(2)			
18		SPACER	(2)			
19		BEARING FLANGE	(2)			
20		COVER	(1)			
22		SET OF SHIMS	(1)			
33A		WASHER	(8)			
34		SCREW	(8)			
35A		PLUG	(1)			
36		SCREW	(10)			
37		SCREW	(10)			
37C		SCREW	(2)			
39A		SCREW	(8)			
47		KEY	(2)			
51A		PLUG	(2)			
52A		WASHER	(10)			
52C		WASHER	(2)			
56A		SCREW	(3)			
60		BEARING NUT	(2)			
67A		BALL BEARING	(2)			
69		THRUST BALL BEARING	(2)			
84		O-RING	(1)			
145	◆	SET OF SCREWS MISTRAL [PSM]	1	AUX312133		
212	◆	GEAR BOX AND SEALS 11 12 TYPHON II MISTRAL (NOT ASSEMBLED) [PSM]	1	AUX308712		
2	◆	GEAR BOX MISTRAL TYPHON II [PSM]	1	AUX212999		
11		BRONZE SEAL (RIGHT) (11 AND 12A)	(1)			
12		BRONZE SEAL (LEFT) (11A AND 12)	(1)			
189		SYNCHRONIZATION GEARS	(1)			

MISTRAL

* 1, 2, 4... : Quantity in equipment - (1), (2), (4)... : Quantity in kit

Item	Available	Description	Qty*	Ref.	Maintenance kit	Wear part
952	◆	SCREW KIT MISTRAL N 30R ASSEMBLY [PSM]	1	AUX314680	■	
6		SMALL GEAR	(1)			
31		CIRCLIPS	(1)			
32		SEAL	(1)			
55		KEY	(1)			
146	◆	GEAR BOX ASSEMBLY MISTRAL (NOT ASSEMBLED) [PSM]	1	AUX314678		
10		BRACKET	(1)			
13		LUBRIFICATION SPACER	(2)			
14		SET OF SHIMS	(2)			
15		CENTRIFUGATION DISK	(2)			
18		SPACER	(2)			
19		BEARING FLANGE	(2)			
20		COVER	(1)			
22		SET OF SHIMS	(1)			
33A		WASHER	(8)			
34		SCREW	(8)			
35A		PLUG	(1)			
36		SCREW	(10)			
37		SCREW	(10)			
37C		SCREW	(2)			
39A		SCREW	(8)			
47		KEY	(2)			
51A		PLUG	(2)			
52A		WASHER	(10)			
52C		WASHER	(2)			
56A		SCREW	(3)			
60		BEARING NUT	(2)			
67A		BALL BEARING	(2)			
69		THRUST BALL BEARING	(2)			
84		O-RING	(1)			
145	◆	SET OF SCREWS MISTRAL [PSM]	1	AUX312133		
212	◆	GEAR BOX AND SEALS 11 12 TYPHON II MISTRAL (NOT ASSEMBLED) [PSM]	1	AUX308712		
2	◆	GEAR BOX MISTRAL TYPHON II [PSM]	1	AUX212999		
11		BRONZE SEAL (RIGHT) (11 AND 12A)	(1)			
12		BRONZE SEAL (LEFT) (11A AND 12)	(1)			
189		SYNCHRONIZATION GEARS	(1)			
954	◆	SERVICE KIT A MISTRAL (NOT ASSEMBLED) [PSM]	1	AUX312616		
6		SMALL GEAR	(1)			
11A		BRONZE SEAL (RIGHT) (11 AND 12A)	(2)			
12A		BRONZE SEAL (LEFT) (11A AND 12)	(2)			
14		SET OF SHIMS	(2)			
18		SPACER	(2)			
22		SET OF SHIMS	(1)			
31		CIRCLIPS	(1)			
55		KEY	(1)			
67		BALL BEARING	(4)			
68		BALL BEARING	(2)			
69		THRUST BALL BEARING	(2)			
145	◆	SET OF SCREWS MISTRAL [PSM]	1	AUX312133		

MISTRAL

* 1, 2, 4... : Quantity in equipment - (1), (2), (4)... : Quantity in kit

Item	Available	Description	Qty*	Ref.	Maintenance kit	Wear part
955	◆	SERVICE KIT B MISTRAL (NOT ASSEMBLED) [PSM]	1	AUX312615		
6		SMALL GEAR	(1)			
14		SET OF SHIMS	(2)			
22		SET OF SHIMS	(1)			
31		CIRCLIPS	(1)			
55		KEY	(1)			
67		BALL BEARING	(4)			
68		BALL BEARING	(2)			
69		THRUST BALL BEARING	(2)			
956	◆	SERVICE KIT C MISTRAL (NOT ASSEMBLED) [PSM]	1	AUX314391		
6		SMALL GEAR	(1)			
11A		BRONZE SEAL (LEFT) (11A AND 12)	(1)			
12A		BRONZE SEAL (RIGHT) (11 AND 12A)	(1)			
14		SET OF SHIMS	(2)			
18		SPACER	(2)			
22		SET OF SHIMS	(1)			
25A	◆	SET OF 6 VANES FOR IL PUMP	1	AUX320071		●
25		VANE	(6)			
30		SEAL WASHER	(1)			
31		CIRCLIPS	(1)			
32		SEAL	(1)			
33A		WASHER	(8)			
34		SCREW	(8)			
37		SCREW	(10)			
41		SEAL	(2)			
42		O-RING	(1)			
46		KEY	(1)			
47		KEY	(2)			
49		SCREW	(6)			
52		WASHER	(10)			
53		SLEEVE	(1)			●
55		KEY	(1)			
59	◆	LIP SEAL	1	AUX215438		●
64		CIRCLIPS	(2)			
67		BALL BEARING	(4)			
68		BALL BEARING	(2)			
69		THRUST BALL BEARING	(2)			
74		SPRING	(2)			
81		BEARING SEAL	(2)			
84		O-RING	(1)			
89		SEAL WASHER	(2)			
145	◆	SET OF SCREWS MISTRAL [PSM]	1	AUX312133		
189		SYNCHRONIZATION GEARS	(1)			
212	◆	GEAR BOX AND SEALS 11 12 TYPHON II MISTRAL (NOT ASSEMBLED) [PSM]	1	AUX308712		
2	◆	GEAR BOX MISTRAL TYPHON II [PSM]	1	AUX212999		
11		BRONZE SEAL (RIGHT) (11 AND 12A)	(1)			
12		BRONZE SEAL (LEFT) (11A AND 12)	(1)			
1534	◆	CAN OF 10 LITRES (BSC3 OIL)	1	AUX316304		●
1535	◆	CAN OF 30 LITRES (BSC3 OIL)	1	AUX316305	■	●
1536	◆	CAN OF 208 LITRES (BSC3 OIL)	1	AUX316492		●
1537	◆	CAN OF 1 LITRE (BSC3 OIL)	1	AUX316301		●
1538	◆	CAN OF 2 LITRES (BSC3 OIL)	1	AUX316302		●
1539	◆	CAN OF 5 LITRES (BSC3 OIL)	1	AUX316303		●
1543	◆	CAN OF 6 LITRES (BSC3 OIL)	1	AUX316553		●

MISTRAL

* 1, 2, 4... : Quantity in equipment - (1), (2), (4)... : Quantity in kit

Item	Available	Description	Qty*	Ref.	Maintenance kit	Wear part
1562	◆	SERVICE TOOLS MISTRAL [PSM]	1	AUX317377		
949	◆	TOOL MISTRAL ASSEMBLING DUMMY [PSM]	1	AUX317346		
957	◆	EXTRACTING TOOL FOR 20R GEAR ITEM 6 (MISTRAL_TYPHON_B1500) [PSM]	1	AUX316024		
1551	◆	TOOL BRONZE SEAL ASSEMBLING [PSM]	1	AUX231193		
1554	◆	TOOL EXT BEARING GEAR BOX ASSEMBLING [PSM]	1	AUX229075		
1558	◆	TOOL INT BEARING GEAR BOX ASSEMBLING [PSM]	1	AUX229072		
1559A	◆	TOOL STACKING COMPRESSION ADJUSTING MISTRAL TYPHON II B1500 [PSM]	1	AUX317185		
1559B	◆	TOOL FACE CLEARANCE GEAR BOX ADJUSTING [PSM]	1	AUX317186		
1560	◆	TOOL SCREW LOCK [PSM]	1	AUX317163		
1561	◆	TOOL SYNCHRONIZATION GEARS LOCK [PSM]	1	AUX317189		
1592	◆	TOOL SYNCHRO GEARS LOCK SETTING [PSM]	1	AUX317187		
1601	◆	TOOL TIGHTENING [PSM]	1	AUX231176		
1603	◆	TOOL FILTER INSERT ASSEMBLING [PSM]	1	AUX231174		
1604	◆	TOOL BEARING 68 ASSEMBLING [PSM]	1	AUX231175		
1579	◆	CONVERSION KIT FOR 20R TO 30R (NOT ASSEMBLED)	1	AUX315127	■	
46		KEY	(1)			
53		SLEEVE	(1)			●
59	◆	LIP SEAL	1	AUX215438		●
63		CIRCLIPS	(1)			
68		BALL BEARING	(2)			
73		PIN	(1)			
167	◆	MULTIPLIER 30R	1	AUX312171		
6		SMALL GEAR	(1)			
7		LARGE GEAR	(1)			
27A		INLET SHAFT	(1)			
31		CIRCLIPS	(1)			
32		SEAL	(1)			
55		KEY	(1)			
1580	◆	CONVERSION KIT FOR 30R TO 20R (NOT ASSEMBLED)	1	AUX315128	■	
46		KEY	(1)			
53		SLEEVE	(1)			●
59	◆	LIP SEAL	1	AUX215438		●
63		CIRCLIPS	(1)			
68		BALL BEARING	(2)			
73		PIN	(1)			
167	◆	MULTIPLIER 20R	1	AUX312134		
6		SMALL GEAR	(1)			
7		LARGE GEAR	(1)			
27A		INLET SHAFT	(1)			
31		CIRCLIPS	(1)			
32		SEAL	(1)			
55		KEY	(1)			

MISTRAL

* 1, 2, 4... : Quantity in equipment - (1), (2), (4)... : Quantity in kit

Item	Available	Description	Qty*	Ref.	Maintenance kit	Wear part
1581	◆	CONVERSION KIT FOR 20R TO 19R_22L (NOT ASSEMBLED)	1	AUX315063	■	
6		SMALL GEAR	(1)			
31		CIRCLIPS	(1)			
55		KEY	(1)			
800	◆	MULTIPLIER 19R 22L	1	AUX313964	■	
32		SEAL	(1)			
801		BODY	(1)			
802		INLET SHAFT	(2)			
803		BALL BEARING	(4)			
806		GEAR 58 TEETH	(1)			
807		GEAR 50 TEETH	(1)			
808		BALL BEARING	(2)			
809		SECONDARY SHAFT	(1)			
810		SMALL GEAR	(1)			
811		LARGE GEAR	(1)			
813	◆	SLEEVE	2	AUX215763		●
814	◆	LIP SEAL	2	AUX220799		●
815		CIRCLIPS	(4)			
816		PLUG	(2)			
817		KEY	(2)			
818		SLEEVE	(1)			●
819	◆	FAN	1	AUX220801		
820	◆	COVER	1	AUX223103		
822		LIP SEAL	(1)			●
823		PLUG	(1)			
824		SCREW	(2)			
825		PIN	(1)			
826		SPACER	(3)			
827	◆	RUBBER RING	3	AUX220803		
828	◆	KEY	1	AUX210995		
830		SCREW	(3)			
831		SPACER	(1)			
832	◆	SHAFT PROTECTOR	1	AUX222835		
834		SEAL WASHER	(3)			
835		SCREW	(3)			
836		SCREW	(4)			
837		SCREW	(6)			
838		WASHER	(10)			
839		SCREW	(1)			
840		SERIAL NUMBER PLATE	(1)			
841		RIVET	(2)			
842		O-RING	(2)			

MISTRAL

* 1, 2, 4... : Quantity in equipment - (1), (2), (4)... : Quantity in kit

Item	Available	Description	Qty*	Ref.	Maintenance kit	Wear part
1582	◆	CONVERSION KIT FOR 30R TO 13R_15L (NOT ASSEMBLED)	1	AUX315064	■	
6		SMALL GEAR	(1)			
31		CIRCLIPS	(1)			
55		KEY	(1)			
800	◆	MULTIPLIER 13R 15L	1	AUX313507	■	
32		SEAL	(1)			
801		BODY	(1)			
802		INLET SHAFT	(2)			
803		BALL BEARING	(4)			
806		GEAR 58 TEETH	(1)			
807		GEAR 50 TEETH	(1)			
808		BALL BEARING	(2)			
809		SECONDARY SHAFT	(1)			
810		SMALL GEAR	(1)			
811		LARGE GEAR	(1)			
813	◆	SLEEVE	2	AUX215763		●
814	◆	LIP SEAL	2	AUX220799		●
815		CIRCLIPS	(4)			
816		PLUG	(2)			
817		KEY	(2)			
818		SLEEVE	(1)			●
819	◆	FAN	1	AUX220801		
820	◆	COVER	1	AUX223103		
822		LIP SEAL	(1)			●
823		PLUG	(1)			
824		SCREW	(2)			
825		PIN	(1)			
826		SPACER	(3)			
827	◆	RUBBER RING	3	AUX220803		
828	◆	KEY	1	AUX210995		
830		SCREW	(3)			
831		SPACER	(1)			
832	◆	SHAFT PROTECTOR	1	AUX222835		
834		SEAL WASHER	(3)			
835		SCREW	(3)			
836		SCREW	(4)			
837		SCREW	(6)			
838		WASHER	(10)			
839		SCREW	(1)			
840		SERIAL NUMBER PLATE	(1)			
841		RIVET	(2)			
842		O-RING	(2)			

MISTRAL

* 1, 2, 4... : Quantity in equipment - (1), (2), (4)... : Quantity in kit

Item	Available	Description	Qty*	Ref.	Maintenance kit	Wear part
1583	◆	CONVERSION KIT FOR 13R_15L TO 19R_22L (NOT ASSEMBLED)	1	AUX315241	■	
6		SMALL GEAR	(1)			
31		CIRCLIPS	(1)			
32		SEAL	(1)			
55		KEY	(1)			
808		BALL BEARING	(2)			
809		SECONDARY SHAFT	(1)			
810		SMALL GEAR	(1)			
811		LARGE GEAR	(1)			
818		SLEEVE	(1)			●
822		LIP SEAL	(1)			●
825		PIN	(1)			
1584	◆	CONVERSION KIT FOR 19R_22L TO 13R_15L (NOT ASSEMBLED)	1	AUX315242	■	
6		SMALL GEAR	(1)			
31		CIRCLIPS	(1)			
32		SEAL	(1)			
55		KEY	(1)			
808		BALL BEARING	(2)			
809		SECONDARY SHAFT	(1)			
810		SMALL GEAR	(1)			
811		LARGE GEAR	(1)			
818		SLEEVE	(1)			●
822		LIP SEAL	(1)			●
825		PIN	(1)			
1585	◆	CONVERSION KIT FOR 13R/15L TO 20R (NOT ASSEMBLED)	1	AUX316899	■	
3		COVER	(1)			
7		LARGE GEAR	(1)			
27A		INLET SHAFT	(1)			
32		SEAL	(1)			
46		KEY	(1)			
50		SCREW	(14)			
50A		WASHER	(14)			
51		PLUG	(1)			
53		SLEEVE	(1)			●
59	◆	LIP SEAL	1	AUX215438		●
63		CIRCLIPS	(1)			
68		BALL BEARING	(2)			
73		PIN	(1)			
1586	◆	CONVERSION KIT FOR 13R/15L TO 30R (NOT ASSEMBLED)	1	AUX316900	■	
3		COVER	(1)			
46		KEY	(1)			
50		SCREW	(14)			
50A		WASHER	(14)			
51		PLUG	(1)			
53		SLEEVE	(1)			●
59	◆	LIP SEAL	1	AUX215438		●
63		CIRCLIPS	(1)			
68		BALL BEARING	(2)			
73		PIN	(1)			
167	◆	MULTIPLIER 30R	1	AUX312171		
6		SMALL GEAR	(1)			
7		LARGE GEAR	(1)			
27A		INLET SHAFT	(1)			
31		CIRCLIPS	(1)			
32		SEAL	(1)			
55		KEY	(1)			

MISTRAL

* 1, 2, 4... : Quantity in equipment - (1), (2), (4)... : Quantity in kit

Item	Available	Description	Qty*	Ref.	Maintenance kit	Wear part
1655	◆	CONVERSION KIT FOR 19R_22L TO 20R (NOT ASSEMBLED)	1	AUX319858	■	
3		COVER	(1)			
6		SMALL GEAR	(1)			
7		LARGE GEAR	(1)			
27A		INLET SHAFT	(1)			
31		CIRCLIPS	(1)			
32		SEAL	(1)			
46		KEY	(1)			
50		SCREW	(14)			
50A		WASHER	(14)			
51		PLUG	(1)			
53		SLEEVE	(1)			●
55		KEY	(1)			
59	◆	LIP SEAL	1	AUX215438		●
63		CIRCLIPS	(1)			
68		BALL BEARING	(2)			
73		PIN	(1)			
1656	◆	CONVERSION KIT FOR 19R_22L TO 30R (NOT ASSEMBLED)	1	AUX319859	■	
3		COVER	(1)			
7		LARGE GEAR	(1)			
27A		INLET SHAFT	(1)			
32		SEAL	(1)			
46		KEY	(1)			
50		SCREW	(14)			
50A		WASHER	(14)			
51		PLUG	(1)			
53		SLEEVE	(1)			●
59	◆	LIP SEAL	1	AUX215438		●
63		CIRCLIPS	(1)			
68		BALL BEARING	(2)			
73		PIN	(1)			