



P.L. : 1401-K01

Effective
Replaces

April 2022
September 2020

PARTS LIST
SCREW COMPRESSOR
B600

Keep this parts lists with Installation, Operation and Maintenance Instructions.

To order the required spare parts, indicate the desired Reference(s).

- ◆ Sets of parts or parts available to order.

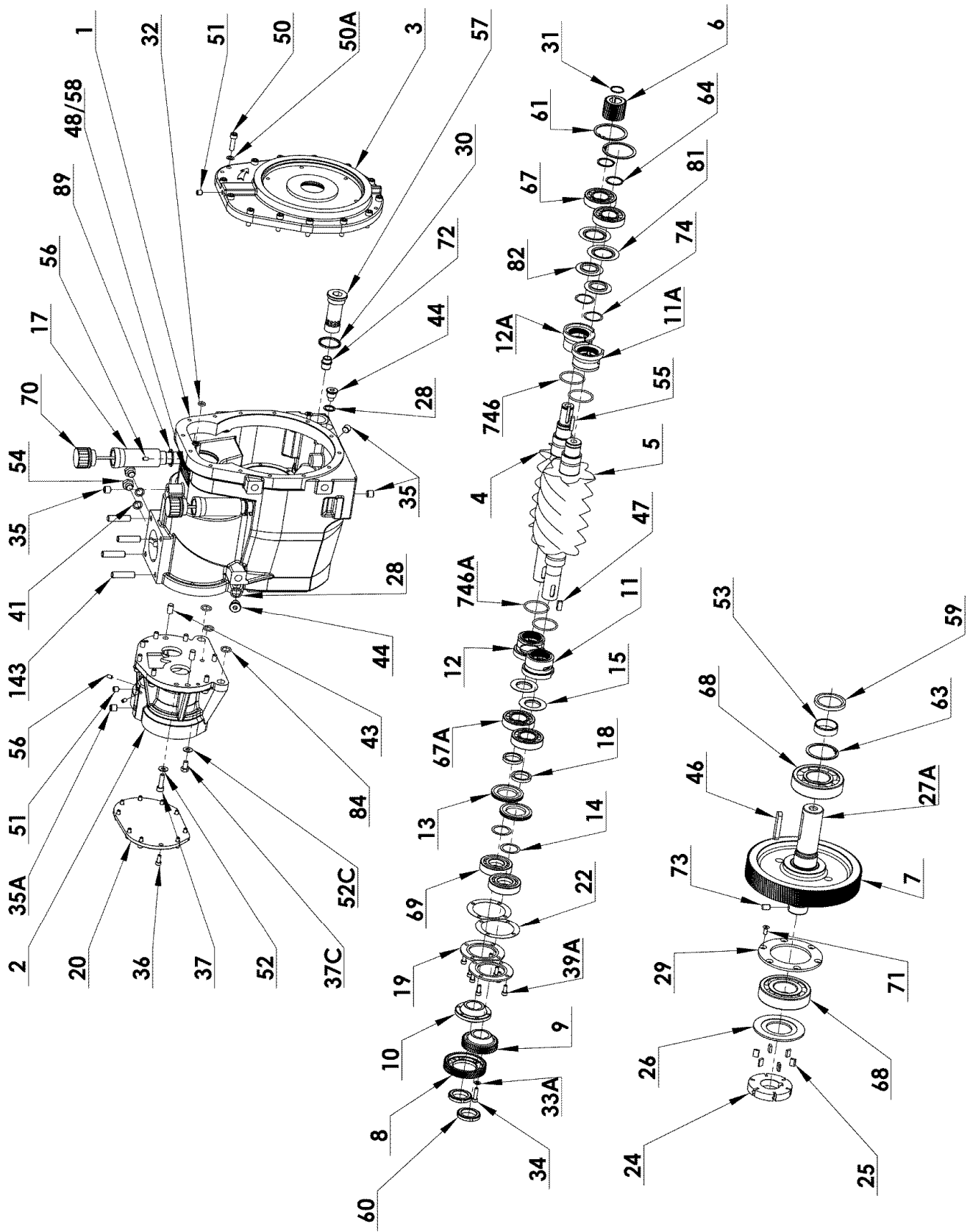
[PSM] : ONLY FOR MOUVEX SERVICE POINTS

Z.I. la Plaine des Isles - 2 rue des Caillottes F-89000 AUXERRE - France

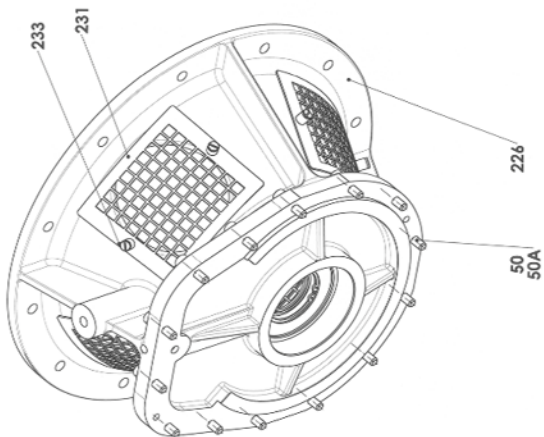
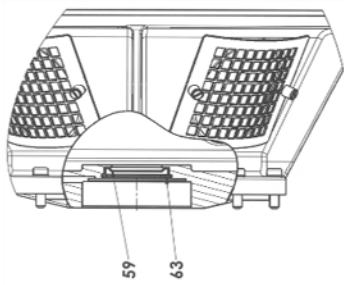
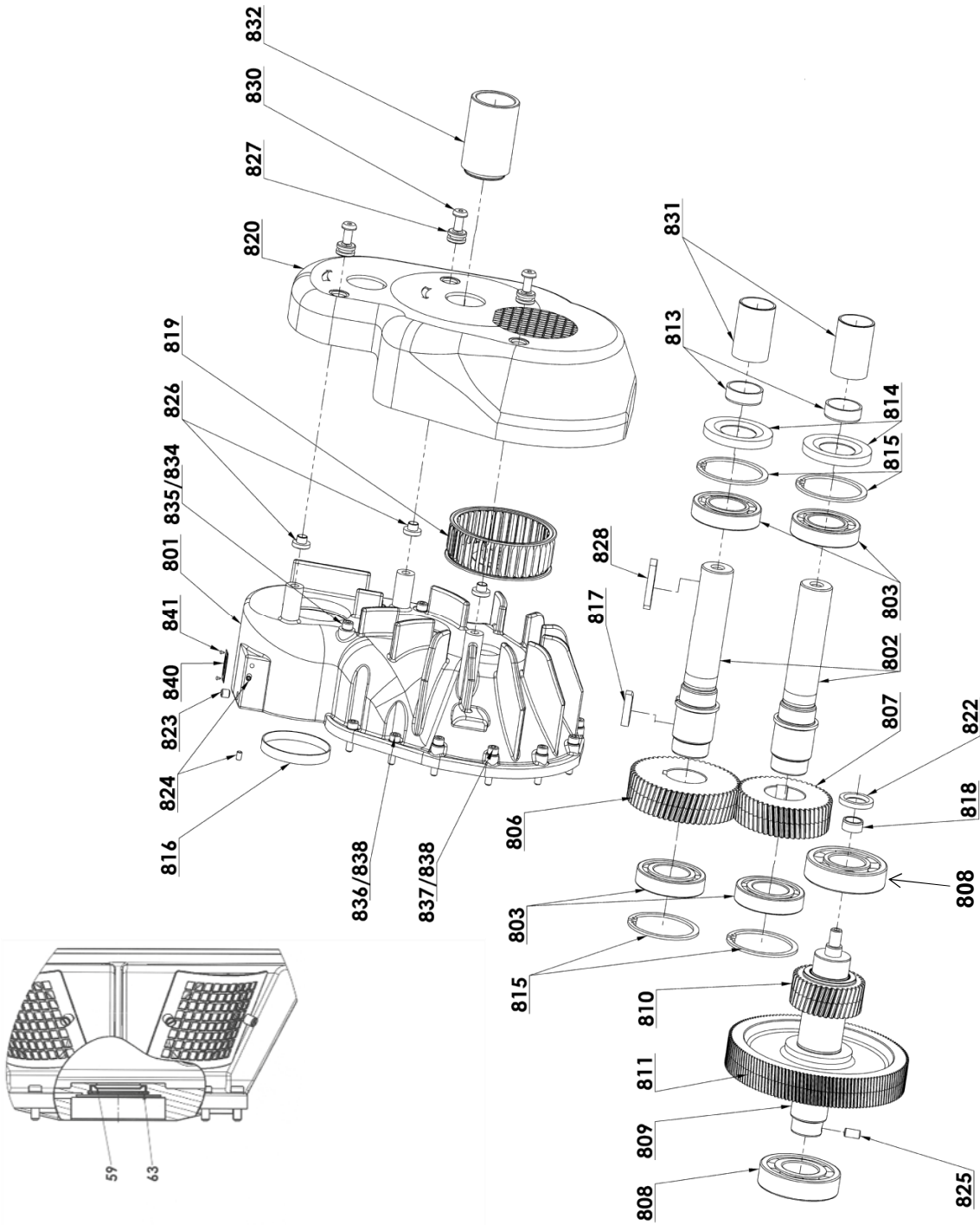
Tel : +33 (0)3 86 49 86 30 • Fax : +33 (0)3 86 49 87 17

contact.mouvex@psgdover.com • www.mouvex.com

B600



MULTIPLIER



TRUNK

TOOLS (ONLY FOR MOUVEX B600 SERVICE POINTS)



AUX316786



AUX231174



AUX231175



AUX229073



AUX229074



AUX317183



AUX230424



AUX317182

TOOLS (ONLY FOR MOUVEX B600 SERVICE POINTS)



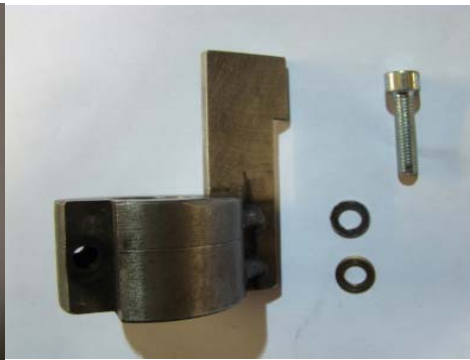
AUX316787



AUX316790



AUX317181



AUX317348



AUX316023

B600

* 1, 2, 4... : Quantity in equipment - (1), (2), (4)... : Quantity in kit

| Item | Available | Description | Qty* | Ref. | Maintenance kit | Wear part |
|------|-----------|---|------|-----------|-----------------|-----------|
| 1 | ◆ | BODY | 1 | AUX222512 | | |
| 24 | ◆ | ROTOR | 1 | AUX219140 | | ● |
| 44 | ◆ | MAGNETIC PLUG | 3 | AUX215228 | | |
| 91 | ◆ | SET SEAL AND SLEEVE FOR SHAFT | 1 | AUX312135 | ■ | |
| 59 | ◆ | LIP SEAL | 1 | AUX215438 | | ● |
| 53 | | SLEEVE | (1) | | | ● |
| 96 | ◆ | KIT OIL FILTER MISTRAL B600 TYPHON II | 1 | AUX312112 | ■ | |
| 50B | | SEAL WASHER | (1) | | | ● |
| 57A | | STRAINER | (1) | | | ● |
| 146 | ◆ | GEAR BOX ASSEMBLY B600 (NOT ASSEMBLED) [PSM] | 1 | AUX313346 | | |
| 10 | | BRACKET | (1) | | | |
| 13 | | SPACER | (2) | | | |
| 14 | | SET OF SHIMS | (2) | | | |
| 15 | | CENTRIFUGATION DISK | (2) | | | |
| 18 | | SPACER | (2) | | | |
| 19 | | BEARING FLANGE | (2) | | | |
| 20 | | COVER | (1) | | | |
| 22 | | SET OF SHIMS | (2) | | | |
| 33A | | WASHER | (6) | | | |
| 34 | | SCREW | (6) | | | |
| 35A | | PLUG | (1) | | | |
| 36 | | SCREW | (10) | | | |
| 37 | | SCREW | (8) | | | |
| 37C | | SCREW | (2) | | | |
| 39A | | SCREW | (8) | | | |
| 51 | | PLUG | (2) | | | |
| 52 | | WASHER | (8) | | | |
| 52C | | WASHER | (2) | | | |
| 56A | | SCREW | (3) | | | |
| 60 | | BEARING NUT | (2) | | | |
| 67A | | BALL BEARING | (2) | | | |
| 69 | | THRUST BALL BEARING | (2) | | | |
| 84 | | O-RING | (3) | | | |
| 145 | ◆ | SET OF SCREWS B600 [PSM] | 1 | AUX313347 | | |
| 212 | ◆ | GEAR BOX AND SEALS 11 12 B600 (NOT ASSEMBLED) [PSM] | 1 | AUX313349 | | |
| 2 | ◆ | GEAR BOX B600 [PSM] | 1 | AUX222525 | | |
| 11 | | BRONZE SEAL (RIGHT) | (1) | | | |
| 12 | | BRONZE SEAL (LEFT) | (1) | | | |
| 746A | | O-RING | (2) | | | |
| 167 | ◆ | MULTIPLIER 20R | 1 | AUX312134 | | |
| 6 | | SMALL GEAR | (1) | | | |
| 7 | | LARGE GEAR | (1) | | | |
| 27A | | INLET SHAFT | (1) | | | |
| 31 | | CIRCLIPS | (1) | | | |
| 32 | | SEAL | (1) | | | |
| 55 | | KEY | (1) | | | |
| 167A | ◆ | MULTIPLIER 30R | 1 | AUX312171 | | |
| 6 | | SMALL GEAR | (1) | | | |
| 7 | | LARGE GEAR | (1) | | | |
| 27A | | INLET SHAFT | (1) | | | |
| 31 | | CIRCLIPS | (1) | | | |
| 32 | | SEAL | (1) | | | |
| 55 | | KEY | (1) | | | |

B600

* 1, 2, 4... : Quantity in equipment - (1), (2), (4)... : Quantity in kit

| Item | Available | Description | Qty* | Ref. | Maintenance kit | Wear part |
|------------|-----------|---|----------|------------------|-----------------|-----------|
| 230 | ◆ | COMPRESSOR SAE4 TRUNK KIT (MISTRAL B600 TYPHON II) | 1 | AUX314890 | | |
| 46 | | KEY | (1) | | | |
| 50 | | SCREW | (14) | | | |
| 50A | | WASHER | (14) | | | |
| 59 | ◆ | LIP SEAL | 1 | AUX215438 | | ● |
| 63 | | CIRCLIPS | (1) | | | |
| 226 | | BEARING HOUSING TRUNK | (1) | | | |
| 832 | ◆ | SAE4 TRUNK GRID KIT | 4 | AUX315575 | | |
| 231 | | GRID | (1) | | | |
| 233 | | SCREW | (2) | | | |
| 373 | ◆ | OIL DIPSTICK ASSEMBLY B600 | 2 | AUX313470 | ■ | |
| 17 | | OIL DIPSTICK PIPE | (1) | | | |
| 70 | ◆ | DIPSTICK | 1 | AUX312655 | | |
| 75 | | PLUG | (1) | | | |
| 89 | | SEAL WASHER | (2) | | | |
| 800 | ◆ | MULTIPLIER 13R 15L | 1 | AUX313507 | ■ | |
| 800 | ◆ | MULTIPLIER 19R 22L | 1 | AUX313964 | ■ | |
| 32 | | SEAL | (1) | | | |
| 801 | | BODY | (1) | | | |
| 802 | | INLET SHAFT | (2) | | | |
| 803 | | BALL BEARING | (4) | | | |
| 806 | | GEAR 58 TEETH | (1) | | | |
| 807 | | GEAR 50 TEETH | (1) | | | |
| 808 | | BALL BEARING | (2) | | | |
| 809 | | SECONDARY SHAFT | (1) | | | |
| 810 | | SMALL GEAR | (1) | | | |
| 811 | | LARGE GEAR | (1) | | | |
| 813 | ◆ | SLEEVE | 2 | AUX215763 | | ● |
| 814 | ◆ | LIP SEAL | 2 | AUX220799 | | ● |
| 815 | | CIRCLIPS | (4) | | | |
| 816 | | PLUG | (2) | | | |
| 817 | | KEY | (2) | | | |
| 818 | | SLEEVE | (1) | | | ● |
| 819 | ◆ | FAN | 1 | AUX220801 | | |
| 820 | ◆ | COVER | 1 | AUX223103 | | |
| 822 | | LIP SEAL | (1) | | | ● |
| 823 | | PLUG | (1) | | | |
| 824 | | SCREW | (2) | | | |
| 825 | | PIN | (1) | | | |
| 826 | | SPACER | (3) | | | |
| 827 | ◆ | RUBBER RING | 3 | AUX220803 | | |
| 828 | ◆ | KEY | 1 | AUX210995 | | |
| 830 | | SCREW | (3) | | | |
| 831 | | SPACER | (1) | | | |
| 832 | ◆ | SHAFT PROTECTOR | 1 | AUX222835 | | |
| 834 | | SEAL WASHER | (3) | | | |
| 835 | | SCREW | (3) | | | |
| 836 | | SCREW | (4) | | | |
| 837 | | SCREW | (6) | | | |
| 838 | | WASHER | (10) | | | |
| 839 | | SCREW | (1) | | | |
| 840 | | SERIAL NUMBER PLATE | (1) | | | |
| 841 | | RIVET | (2) | | | |
| 842 | | O-RING | (2) | | | |

B600

* 1, 2, 4... : Quantity in equipment - (1), (2), (4)... : Quantity in kit

| Item | Available | Description | Qty* | Ref. | Maintenance kit | Wear part |
|------|-----------|--|------|-----------|-----------------|-----------|
| 945 | ◆ | B600 REPAIR KIT LEVEL 1 (NOT ASSEMBLED EXCEPT SCREW KIT) [PSM] | 1 | AUX318515 | | |
| 7 | | LARGE GEAR | (1) | | | |
| 11A | | BRONZE SEAL (LEFT) | (1) | | | |
| 12A | | BRONZE SEAL (RIGHT) | (1) | | | |
| 24 | ◆ | ROTOR | 1 | AUX219140 | | ● |
| 25A | ◆ | SET OF 6 VANES FOR IL PUMP | 1 | AUX320071 | | |
| 25 | | VANE | (6) | | | ● |
| 26 | | COVER | (1) | | | |
| 27A | | INLET SHAFT | (1) | | | |
| 29 | | BEARING CAP | (1) | | | |
| 46 | | KEY | (1) | | | |
| 53 | | SLEEVE | (1) | | | ● |
| 59 | ◆ | LIP SEAL | 1 | AUX215438 | | ● |
| 61 | | CIRCLIPS | (2) | | | |
| 63 | | CIRCLIPS | (1) | | | |
| 64 | | CIRCLIPS | (2) | | | |
| 67 | | BALL BEARING | (2) | | | |
| 68 | | BALL BEARING | (2) | | | |
| 71 | | SCREW | (6) | | | |
| 73 | | PIN | (1) | | | |
| 74 | | SPRING | (2) | | | |
| 81 | | BEARING SEAL | (2) | | | |
| 82 | | CENTRIFUGATION DISK | (2) | | | |
| 950 | ◆ | SCREW KIT B600 N 20R ASSEMBLY [PSM] | 1 | AUX314676 | ■ | |
| 6 | | SMALL GEAR | (1) | | | |
| 31 | | CIRCLIPS | (1) | | | |
| 32 | | SEAL | (1) | | | |
| 55 | | KEY | (1) | | | |
| 146 | ◆ | GEAR BOX ASSEMBLY B600 (NOT ASSEMBLED) [PSM] | 1 | AUX313346 | | |
| 10 | | BRACKET | (1) | | | |
| 13 | | SPACER | (2) | | | |
| 14 | | SET OF SHIMS | (2) | | | |
| 15 | | CENTRIFUGATION DISK | (2) | | | |
| 18 | | SPACER | (2) | | | |
| 19 | | BEARING FLANGE | (2) | | | |
| 20 | | COVER | (1) | | | |
| 22 | | SET OF SHIMS | (2) | | | |
| 33A | | WASHER | (6) | | | |
| 34 | | SCREW | (6) | | | |
| 35A | | PLUG | (1) | | | |
| 36 | | SCREW | (10) | | | |
| 37 | | SCREW | (8) | | | |
| 37C | | SCREW | (2) | | | |
| 39A | | SCREW | (8) | | | |
| 51 | | PLUG | (2) | | | |
| 52 | | WASHER | (8) | | | |
| 52C | | WASHER | (2) | | | |
| 56A | | SCREW | (3) | | | |
| 60 | | BEARING NUT | (2) | | | |
| 67A | | BALL BEARING | (2) | | | |
| 69 | | THRUST BALL BEARING | (2) | | | |
| 84 | | O-RING | (3) | | | |
| 145 | ◆ | SET OF SCREWS B600 [PSM] | 1 | AUX313347 | | |
| 212 | ◆ | GEAR BOX AND SEALS 11 12 B600 (NOT ASSEMBLED) [PSM] | 1 | AUX313349 | | |
| 2 | ◆ | GEAR BOX B600 [PSM] | 1 | AUX222525 | | |
| 11 | | BRONZE SEAL (RIGHT) | (1) | | | |
| 12 | | BRONZE SEAL (LEFT) | (1) | | | |
| 746A | | O-RING | (2) | | | |
| 189 | | SYNCHRONIZATION GEARS | (1) | | | |

B600

* 1, 2, 4... : Quantity in equipment - (1), (2), (4)... : Quantity in kit

| Item | Available | Description | Qty* | Ref. | Maintenance kit | Wear part |
|------------|-----------|--|----------|------------------|-----------------|-----------|
| 946 | ◆ | B600 REPAIR KIT LEVEL 2 (NOT ASSEMBLED) [PSM] | 1 | AUX318517 | | |
| 10 | | BRACKET | (1) | | | |
| 11 | | BRONZE SEAL (RIGHT) | (1) | | | |
| 11A | | BRONZE SEAL (LEFT) | (1) | | | |
| 12 | | BRONZE SEAL (LEFT) | (1) | | | |
| 12A | | BRONZE SEAL (RIGHT) | (1) | | | |
| 13 | | SPACER | (2) | | | |
| 14 | | SET OF SHIMS | (2) | | | |
| 15 | | CENTRIFUGATION DISK | (2) | | | |
| 18 | | SPACER | (2) | | | |
| 19 | | BEARING FLANGE | (2) | | | |
| 22 | | SET OF SHIMS | (2) | | | |
| 33A | | WASHER | (6) | | | |
| 34 | | SCREW | (6) | | | |
| 39A | | SCREW | (8) | | | |
| 47 | | KEY | (2) | | | |
| 55 | | KEY | (1) | | | |
| 60 | | BEARING NUT | (2) | | | |
| 61 | | CIRCLIPS | (2) | | | |
| 64 | | CIRCLIPS | (2) | | | |
| 74 | | SPRING | (2) | | | |
| 81 | | BEARING SEAL | (2) | | | |
| 82 | | CENTRIFUGATION DISK | (2) | | | |
| 145 | ◆ | SET OF SCREWS B600 [PSM] | 1 | AUX313347 | | |
| 189 | | SYNCHRONIZATION GEARS | (1) | | | |
| 947 | ◆ | B600 REPAIR KIT LEVEL 3 (NOT ASSEMBLED) [PSM] | 1 | AUX318519 | | |
| 10 | | BRACKET | (1) | | | |
| 11 | | BRONZE SEAL (RIGHT) | (1) | | | |
| 11A | | BRONZE SEAL (LEFT) | (1) | | | |
| 12 | | BRONZE SEAL (LEFT) | (1) | | | |
| 12A | | BRONZE SEAL (RIGHT) | (1) | | | |
| 13 | | SPACER | (2) | | | |
| 14 | | SET OF SHIMS | (2) | | | |
| 15 | | CENTRIFUGATION DISK | (2) | | | |
| 18 | | SPACER | (2) | | | |
| 19 | | BEARING FLANGE | (2) | | | |
| 22 | | SET OF SHIMS | (2) | | | |
| 33A | | WASHER | (6) | | | |
| 34 | | SCREW | (6) | | | |
| 39A | | SCREW | (8) | | | |
| 60 | | BEARING NUT | (2) | | | |
| 61 | | CIRCLIPS | (2) | | | |
| 64 | | CIRCLIPS | (2) | | | |
| 74 | | SPRING | (2) | | | |
| 81 | | BEARING SEAL | (2) | | | |
| 82 | | CENTRIFUGATION DISK | (2) | | | |
| 948 | ◆ | BUSHINGS KIT B600 [PSM] | 1 | AUX319159 | | |
| 11 | | BRONZE SEAL (RIGHT) | (1) | | | |
| 12 | | BRONZE SEAL (LEFT) | (1) | | | |

B600

* 1, 2, 4... : Quantity in equipment - (1), (2), (4)... : Quantity in kit

| Item | Available | Description | Qty* | Ref. | Maintenance kit | Wear part |
|------|-----------|---|------|-----------|-----------------|-----------|
| 950 | ◆ | SCREW KIT B600 N 20R ASSEMBLY [PSM] | 1 | AUX314676 | ■ | |
| 6 | | SMALL GEAR | (1) | | | |
| 31 | | CIRCLIPS | (1) | | | |
| 32 | | SEAL | (1) | | | |
| 55 | | KEY | (1) | | | |
| 146 | ◆ | GEAR BOX ASSEMBLY B600 (NOT ASSEMBLED) [PSM] | 1 | AUX313346 | | |
| 10 | | BRACKET | (1) | | | |
| 13 | | SPACER | (2) | | | |
| 14 | | SET OF SHIMS | (2) | | | |
| 15 | | CENTRIFUGATION DISK | (2) | | | |
| 18 | | SPACER | (2) | | | |
| 19 | | BEARING FLANGE | (2) | | | |
| 20 | | COVER | (1) | | | |
| 22 | | SET OF SHIMS | (1) | | | |
| 33A | | WASHER | (6) | | | |
| 34 | | SCREW | (6) | | | |
| 35A | | PLUG | (1) | | | |
| 36 | | SCREW | (10) | | | |
| 37 | | SCREW | (8) | | | |
| 37C | | SCREW | (2) | | | |
| 39A | | SCREW | (8) | | | |
| 51 | | PLUG | (2) | | | |
| 52 | | WASHER | (8) | | | |
| 52C | | WASHER | (2) | | | |
| 56A | | SCREW | (3) | | | |
| 60 | | BEARING NUT | (2) | | | |
| 67A | | BALL BEARING | (2) | | | |
| 69 | | THRUST BALL BEARING | (2) | | | |
| 84 | | O-RING | (3) | | | |
| 145 | ◆ | SET OF SCREWS B600 [PSM] | 1 | AUX313347 | | |
| 212 | ◆ | GEAR BOX AND SEALS 11 12 B600 (NOT ASSEMBLED) [PSM] | 1 | AUX313349 | | |
| 2 | ◆ | GEAR BOX B600 [PSM] | 1 | AUX222525 | | |
| 11 | | BRONZE SEAL (RIGHT) | (1) | | | |
| 12 | | BRONZE SEAL (LEFT) | (1) | | | |
| 746A | | O-RING | (2) | | | |
| 189 | | SYNCHRONIZATION GEARS | (1) | | | |

B600

* 1, 2, 4... : Quantity in equipment - (1), (2), (4)... : Quantity in kit

| Item | Available | Description | Qty* | Ref. | Maintenance kit | Wear part |
|------|-----------|---|------|-----------|-----------------|-----------|
| 952 | ◆ | SCREW KIT B600 N 30R ASSEMBLY [PSM] | 1 | AUX314682 | ■ | |
| 6 | | SMALL GEAR | (1) | | | |
| 31 | | CIRCLIPS | (1) | | | |
| 32 | | SEAL | (1) | | | |
| 55 | | KEY | (1) | | | |
| 146 | ◆ | GEAR BOX ASSEMBLY B600 (NOT ASSEMBLED) [PSM] | 1 | AUX313346 | | |
| 10 | | BRACKET | (1) | | | |
| 13 | | SPACER | (2) | | | |
| 14 | | SET OF SHIMS | (2) | | | |
| 15 | | CENTRIFUGATION DISK | (2) | | | |
| 18 | | SPACER | (2) | | | |
| 19 | | BEARING FLANGE | (2) | | | |
| 20 | | COVER | (1) | | | |
| 22 | | SET OF SHIMS | (1) | | | |
| 33A | | WASHER | (6) | | | |
| 34 | | SCREW | (6) | | | |
| 35A | | PLUG | (1) | | | |
| 36 | | SCREW | (10) | | | |
| 37 | | SCREW | (8) | | | |
| 37C | | SCREW | (2) | | | |
| 39A | | SCREW | (8) | | | |
| 51 | | PLUG | (2) | | | |
| 52 | | WASHER | (8) | | | |
| 52C | | WASHER | (2) | | | |
| 56A | | SCREW | (3) | | | |
| 60 | | BEARING NUT | (2) | | | |
| 67A | | BALL BEARING | (2) | | | |
| 69 | | THRUST BALL BEARING | (2) | | | |
| 84 | | O-RING | (3) | | | |
| 145 | ◆ | SET OF SCREWS B600 [PSM] | 1 | AUX313347 | | |
| 212 | ◆ | GEAR BOX AND SEALS 11 12 B600 (NOT ASSEMBLED) [PSM] | 1 | AUX313349 | | |
| 2 | ◆ | GEAR BOX B600 [PSM] | 1 | AUX222525 | | |
| 11 | | BRONZE SEAL (RIGHT) | (1) | | | |
| 12 | | BRONZE SEAL (LEFT) | (1) | | | |
| 746A | | O-RING | (2) | | | |
| 189 | | SYNCHRONIZATION GEARS | (1) | | | |
| 954 | ◆ | A SERVICE KIT B600 (NOT ASSEMBLED) [PSM] | 1 | AUX313928 | | |
| 6 | | SMALL GEAR | (1) | | | |
| 11A | | BRONZE SEAL (LEFT) | (2) | | | |
| 12A | | BRONZE SEAL (RIGHT) | (2) | | | |
| 14 | | SET OF SHIMS | (2) | | | |
| 22 | | SET OF SHIMS | (1) | | | |
| 31 | | CIRCLIPS | (1) | | | |
| 55 | | KEY | (1) | | | |
| 67 | | BALL BEARING | (2) | | | |
| 67A | | BALL BEARING | (2) | | | |
| 68 | | BALL BEARING | (2) | | | |
| 69 | | THRUST BALL BEARING | (2) | | | |
| 145 | ◆ | SET OF SCREWS B600 [PSM] | 1 | AUX313347 | | |

B600

* 1, 2, 4... : Quantity in equipment - (1), (2), (4)... : Quantity in kit

| Item | Available | Description | Qty* | Ref. | Maintenance kit | Wear part |
|------|-----------|---|------|-----------|-----------------|-----------|
| 955 | ◆ | SERVICE KIT B B600 (NOT ASSEMBLED) [PSM] | 1 | AUX313926 | | |
| 6 | | SMALL GEAR | (1) | | | |
| 14 | | SET OF SHIMS | (2) | | | |
| 22 | | SET OF SHIMS | (1) | | | |
| 31 | | CIRCLIPS | (1) | | | |
| 55 | | KEY | (1) | | | |
| 67 | | BALL BEARING | (2) | | | |
| 67A | | BALL BEARING | (2) | | | |
| 68 | | BALL BEARING | (2) | | | |
| 69 | | THRUST BALL BEARING | (2) | | | |
| 956 | ◆ | SERVICE KIT C B600 (NOT ASSEMBLED) [PSM] | 1 | AUX314390 | | |
| 6 | | SMALL GEAR | (1) | | | |
| 11A | | BRONZE SEAL (LEFT) | (1) | | | |
| 12A | | BRONZE SEAL (RIGHT) | (1) | | | |
| 14 | | SET OF SHIMS | (2) | | | |
| 18 | | SPACER | (2) | | | |
| 22 | | SET OF SHIMS | (2) | | | |
| 25A | ◆ | SET OF 6 VANES FOR IL PUMP | 1 | AUX320071 | | |
| 25 | | VANE | (6) | | | ● |
| 30 | | SEAL WASHER | (1) | | | |
| 31 | | CIRCLIPS | (1) | | | |
| 32 | | SEAL | (1) | | | |
| 33A | | WASHER | (6) | | | |
| 34 | | SCREW | (6) | | | |
| 37 | | SCREW | (8) | | | |
| 41 | | SEAL | (3) | | | |
| 44 | ◆ | MAGNETIC PLUG | 3 | AUX215228 | | |
| 46 | | KEY | (1) | | | |
| 47 | | KEY | (2) | | | |
| 52 | | WASHER | (8) | | | |
| 53 | | SLEEVE | (1) | | | ● |
| 55 | | KEY | (1) | | | |
| 59 | ◆ | LIP SEAL | 1 | AUX215438 | | ● |
| 64 | | CIRCLIPS | (2) | | | |
| 67 | | BALL BEARING | (2) | | | |
| 67A | | BALL BEARING | (2) | | | |
| 68 | | BALL BEARING | (2) | | | |
| 69 | | THRUST BALL BEARING | (2) | | | |
| 74 | | SPRING | (2) | | | |
| 81 | | BEARING SEAL | (2) | | | |
| 84 | | O-RING | (3) | | | |
| 89 | | SEAL WASHER | (2) | | | |
| 145 | ◆ | SET OF SCREWS B600 [PSM] | 1 | AUX313347 | | |
| 189 | | SYNCHRONIZATION GEARS | (1) | | | |
| 212 | ◆ | GEAR BOX AND SEALS 11 12 B600 (NOT ASSEMBLED) [PSM] | 1 | AUX313349 | | |
| 2 | ◆ | GEAR BOX B600 [PSM] | 1 | AUX222525 | | |
| 11 | | BRONZE SEAL (RIGHT) | (1) | | | |
| 12 | | BRONZE SEAL (LEFT) | (1) | | | |
| 746A | | O-RING | (2) | | | |
| 746 | | O-RING | (2) | | | |
| 1165 | ◆ | SYNCHRONIZATION GEARS MH6 B600 [PSM] | 1 | AUX316513 | | |
| 33A | | WASHER | (6) | | | |
| 34 | | SCREW | (6) | | | |
| 189 | | SYNCHRONIZATION GEARS | (1) | | | |

B600

* 1, 2, 4... : Quantity in equipment - (1), (2), (4)... : Quantity in kit

| Item | Available | Description | Qty* | Ref. | Maintenance kit | Wear part |
|-------|-----------|--|------|-----------|-----------------|-----------|
| 1534 | ◆ | CAN OF 10 LITRES (BSC3 OIL) | 1 | AUX316304 | | ● |
| 1535 | ◆ | CAN OF 30 LITRES (BSC3 OIL) | 1 | AUX316305 | ■ | ● |
| 1536 | ◆ | CAN OF 208 LITRES (BSC3 OIL) | 1 | AUX316492 | | ● |
| 1537 | ◆ | CAN OF 1 LITRE (BSC3 OIL) | 1 | AUX316301 | | ● |
| 1538 | ◆ | CAN OF 2 LITRES (BSC3 OIL) | 1 | AUX316302 | | ● |
| 1539 | ◆ | CAN OF 5 LITRES (BSC3 OIL) | 1 | AUX316303 | | ● |
| 1562 | ◆ | SERVICE TOOLS B600 [PSM] | 1 | AUX317376 | | |
| 949 | ◆ | TOOL B600 ASSEMBLING DUMMY [PSM] | 1 | AUX317348 | | |
| 957 | ◆ | EXTRACTING TOOL FOR GEAR ITEM 6 (B600) [PSM] | 1 | AUX316023 | | |
| 1551 | ◆ | TOOL BRONZE SEAL FIXING [PSM] | 1 | AUX316786 | | |
| 1554 | ◆ | TOOL EXT BEARING GEAR BOX ASSEMBLING [PSM] | 1 | AUX229074 | | |
| 1558 | ◆ | TOOL INT BEARING GEAR BOX ASSEMBLING [PSM] | 1 | AUX229073 | | |
| 1559A | ◆ | TOOL STACKING COMPRESSION ADJUSTING B600 [PSM] | 1 | AUX317183 | | |
| 1559B | ◆ | TOOL FACE CLEARANCE GEAR BOX ADJUSTING [PSM] | 1 | AUX317182 | | |
| 1560 | ◆ | TOOL SCREW LOCK [PSM] | 1 | AUX316787 | | |
| 1561 | ◆ | TOOL SYNCHRONIZATION GEARS LOCK [PSM] | 1 | AUX316790 | | |
| 1592 | ◆ | TOOL SYNCHRO GEARS LOCK SETTING [PSM] | 1 | AUX317181 | | |
| 1601 | ◆ | TOOL TIGHTENING [PSM] | 1 | AUX230424 | | |
| 1603 | ◆ | TOOL FILTER INSERT ASSEMBLING [PSM] | 1 | AUX231174 | | |
| 1604 | ◆ | TOOL BEARING 68 ASSEMBLING [PSM] | 1 | AUX231175 | | |
| 1579 | ◆ | CONVERSION KIT FOR 20R TO 30R (NOT ASSEMBLED) | 1 | AUX315127 | ■ | |
| 46 | | KEY | (1) | | | |
| 53 | | SLEEVE | (1) | | | ● |
| 59 | ◆ | LIP SEAL | 1 | AUX215438 | | ● |
| 63 | | CIRCLIPS | (1) | | | |
| 68 | | BALL BEARING | (2) | | | |
| 73 | | PIN | (1) | | | |
| 167 | ◆ | MULTIPLIER 30R | 1 | AUX312171 | | |
| 6 | | SMALL GEAR | (1) | | | |
| 7 | | LARGE GEAR | (1) | | | |
| 27A | | INLET SHAFT | (1) | | | |
| 31 | | CIRCLIPS | (1) | | | |
| 32 | | SEAL | (1) | | | |
| 55 | | KEY | (1) | | | |
| 1580 | ◆ | CONVERSION KIT FOR 30R TO 20R (NOT ASSEMBLED) | 1 | AUX315128 | ■ | |
| 46 | | KEY | (1) | | | |
| 53 | | SLEEVE | (1) | | | ● |
| 59 | ◆ | LIP SEAL | 1 | AUX215438 | | ● |
| 63 | | CIRCLIPS | (1) | | | |
| 68 | | BALL BEARING | (2) | | | |
| 73 | | PIN | (1) | | | |
| 167 | ◆ | MULTIPLIER 20R | 1 | AUX312134 | | |
| 6 | | SMALL GEAR | (1) | | | |
| 7 | | LARGE GEAR | (1) | | | |
| 27A | | INLET SHAFT | (1) | | | |
| 31 | | CIRCLIPS | (1) | | | |
| 32 | | SEAL | (1) | | | |
| 55 | | KEY | (1) | | | |

B600

* 1, 2, 4... : Quantity in equipment - (1), (2), (4)... : Quantity in kit

| Item | Available | Description | Qty* | Ref. | Maintenance kit | Wear part |
|------|-----------|---|------|-----------|-----------------|-----------|
| 1581 | ◆ | CONVERSION KIT FOR 20R TO 19R_22L (NOT ASSEMBLED) | 1 | AUX315063 | ■ | |
| 6 | | SMALL GEAR | (1) | | | |
| 31 | | CIRCLIPS | (1) | | | |
| 55 | | KEY | (1) | | | |
| 800 | ◆ | MULTIPLIER 19R 22L | 1 | AUX313964 | ■ | |
| 32 | | SEAL | (1) | | | |
| 801 | | BODY | (1) | | | |
| 802 | | INLET SHAFT | (2) | | | |
| 803 | | BALL BEARING | (4) | | | |
| 806 | | GEAR 58 TEETH | (1) | | | |
| 807 | | GEAR 50 TEETH | (1) | | | |
| 808 | | BALL BEARING | (2) | | | |
| 809 | | SECONDARY SHAFT | (1) | | | |
| 810 | | SMALL GEAR | (1) | | | |
| 811 | | LARGE GEAR | (1) | | | |
| 813 | ◆ | SLEEVE | 2 | AUX215763 | | ● |
| 814 | ◆ | LIP SEAL | 2 | AUX220799 | | ● |
| 815 | | CIRCLIPS | (4) | | | |
| 816 | | PLUG | (2) | | | |
| 817 | | KEY | (2) | | | |
| 818 | | SLEEVE | (1) | | | ● |
| 819 | ◆ | FAN | 1 | AUX220801 | | |
| 820 | ◆ | COVER | 1 | AUX223103 | | |
| 822 | | LIP SEAL | (1) | | | ● |
| 823 | | PLUG | (1) | | | |
| 824 | | SCREW | (2) | | | |
| 825 | | PIN | (1) | | | |
| 826 | | SPACER | (3) | | | |
| 827 | ◆ | RUBBER RING | 3 | AUX220803 | | |
| 828 | ◆ | KEY | 1 | AUX210995 | | |
| 830 | | SCREW | (3) | | | |
| 831 | | SPACER | (1) | | | |
| 832 | ◆ | SHAFT PROTECTOR | 1 | AUX222835 | | |
| 834 | | SEAL WASHER | (3) | | | |
| 835 | | SCREW | (3) | | | |
| 836 | | SCREW | (4) | | | |
| 837 | | SCREW | (6) | | | |
| 838 | | WASHER | (10) | | | |
| 839 | | SCREW | (1) | | | |
| 840 | | SERIAL NUMBER PLATE | (1) | | | |
| 841 | | RIVET | (2) | | | |
| 842 | | O-RING | (2) | | | |

B600

* 1, 2, 4... : Quantity in equipment - (1), (2), (4)... : Quantity in kit

| Item | Available | Description | Qty* | Ref. | Maintenance kit | Wear part |
|------|-----------|---|------|-----------|-----------------|-----------|
| 1582 | ◆ | CONVERSION KIT FOR 30R TO 13R_15L (NOT ASSEMBLED) | 1 | AUX315064 | ■ | |
| 6 | | SMALL GEAR | (1) | | | |
| 31 | | CIRCLIPS | (1) | | | |
| 55 | | KEY | (1) | | | |
| 800 | ◆ | MULTIPLIER 13R 15L | 1 | AUX313507 | ■ | |
| 32 | | SEAL | (1) | | | |
| 801 | | BODY | (1) | | | |
| 802 | | INLET SHAFT | (2) | | | |
| 803 | | BALL BEARING | (4) | | | |
| 806 | | GEAR 58 TEETH | (1) | | | |
| 807 | | GEAR 50 TEETH | (1) | | | |
| 808 | | BALL BEARING | (2) | | | |
| 809 | | SECONDARY SHAFT | (1) | | | |
| 810 | | SMALL GEAR | (1) | | | |
| 811 | | LARGE GEAR | (1) | | | |
| 813 | ◆ | SLEEVE | 2 | AUX215763 | | ● |
| 814 | ◆ | LIP SEAL | 2 | AUX220799 | | ● |
| 815 | | CIRCLIPS | (4) | | | |
| 816 | | PLUG | (2) | | | |
| 817 | | KEY | (2) | | | |
| 818 | | SLEEVE | (1) | | | ● |
| 819 | ◆ | FAN | 1 | AUX220801 | | |
| 820 | ◆ | COVER | 1 | AUX223103 | | |
| 822 | | LIP SEAL | (1) | | | ● |
| 823 | | PLUG | (1) | | | |
| 824 | | SCREW | (2) | | | |
| 825 | | PIN | (1) | | | |
| 826 | | SPACER | (3) | | | |
| 827 | ◆ | RUBBER RING | 3 | AUX220803 | | |
| 828 | ◆ | KEY | 1 | AUX210995 | | |
| 830 | | SCREW | (3) | | | |
| 831 | | SPACER | (1) | | | |
| 832 | ◆ | SHAFT PROTECTOR | 1 | AUX222835 | | |
| 834 | | SEAL WASHER | (3) | | | |
| 835 | | SCREW | (3) | | | |
| 836 | | SCREW | (4) | | | |
| 837 | | SCREW | (6) | | | |
| 838 | | WASHER | (10) | | | |
| 839 | | SCREW | (1) | | | |
| 840 | | SERIAL NUMBER PLATE | (1) | | | |
| 841 | | RIVET | (2) | | | |
| 842 | | O-RING | (2) | | | |

B600

* 1, 2, 4... : Quantity in equipment - (1), (2), (4)... : Quantity in kit

| Item | Available | Description | Qty* | Ref. | Maintenance kit | Wear part |
|-------------|-----------|--|------|-----------|-----------------|-----------|
| 1583 | ◆ | CONVERSION KIT FOR 13R_15L TO 19R_22L (NOT ASSEMBLED) | 1 | AUX315241 | ■ | |
| 6 | | SMALL GEAR | (1) | | | |
| 31 | | CIRCLIPS | (1) | | | |
| 32 | | SEAL | (1) | | | |
| 55 | | KEY | (1) | | | |
| 808 | | BALL BEARING | (2) | | | |
| 809 | | SECONDARY SHAFT | (1) | | | |
| 810 | | SMALL GEAR | (1) | | | |
| 811 | | LARGE GEAR | (1) | | | |
| 818 | | SLEEVE | (1) | | | ● |
| 822 | | LIP SEAL | (1) | | | ● |
| 825 | | PIN | (1) | | | |
| 1584 | ◆ | CONVERSION KIT FOR 19R_22L TO 13R_15L (NOT ASSEMBLED) | 1 | AUX315242 | ■ | |
| 6 | | SMALL GEAR | (1) | | | |
| 31 | | CIRCLIPS | (1) | | | |
| 32 | | SEAL | (1) | | | |
| 55 | | KEY | (1) | | | |
| 808 | | BALL BEARING | (2) | | | |
| 809 | | SECONDARY SHAFT | (1) | | | |
| 810 | | SMALL GEAR | (1) | | | |
| 811 | | LARGE GEAR | (1) | | | |
| 818 | | SLEEVE | (1) | | | ● |
| 822 | | LIP SEAL | (1) | | | ● |
| 825 | | PIN | (1) | | | |
| 1585 | ◆ | CONVERSION KIT FOR 13R/15L TO 20R (NOT ASSEMBLED) | 1 | AUX316899 | ■ | |
| 3 | | COVER | (1) | | | |
| 7 | | LARGE GEAR | (1) | | | |
| 27A | | INLET SHAFT | (1) | | | |
| 32 | | SEAL | (1) | | | |
| 46 | | KEY | (1) | | | |
| 50 | | SCREW | (14) | | | |
| 50A | | WASHER | (14) | | | |
| 51 | | PLUG | (1) | | | |
| 53 | | SLEEVE | (1) | | | ● |
| 59 | ◆ | LIP SEAL | 1 | AUX215438 | | ● |
| 63 | | CIRCLIPS | (1) | | | |
| 68 | | BALL BEARING | (2) | | | |
| 73 | | PIN | (1) | | | |
| 1586 | ◆ | CONVERSION KIT FOR 13R/15L TO 30R (NOT ASSEMBLED) | 1 | AUX316900 | ■ | |
| 3 | | COVER | (1) | | | |
| 46 | | KEY | (1) | | | |
| 50 | | SCREW | (14) | | | |
| 50A | | WASHER | (14) | | | |
| 51 | | PLUG | (1) | | | |
| 53 | | SLEEVE | (1) | | | ● |
| 59 | ◆ | LIP SEAL | 1 | AUX215438 | | ● |
| 63 | | CIRCLIPS | (1) | | | |
| 68 | | BALL BEARING | (2) | | | |
| 73 | | PIN | (1) | | | |
| 167 | ◆ | MULTIPLIER 30R | 1 | AUX312171 | | |
| 6 | | SMALL GEAR | (1) | | | |
| 7 | | LARGE GEAR | (1) | | | |
| 27A | | INLET SHAFT | (1) | | | |
| 31 | | CIRCLIPS | (1) | | | |
| 32 | | SEAL | (1) | | | |
| 55 | | KEY | (1) | | | |

B600

* 1, 2, 4... : Quantity in equipment - (1), (2), (4)... : Quantity in kit

| Item | Available | Description | Qty* | Ref. | Maintenance kit | Wear part |
|------|-----------|---|------|-----------|-----------------|-----------|
| 1655 | ◆ | CONVERSION KIT FOR 19R_22L TO 20R (NOT ASSEMBLED) | 1 | AUX319858 | ■ | |
| 3 | | COVER | (1) | | | |
| 6 | | SMALL GEAR | (1) | | | |
| 7 | | LARGE GEAR | (1) | | | |
| 27A | | INLET SHAFT | (1) | | | |
| 31 | | CIRCLIPS | (1) | | | |
| 32 | | SEAL | (1) | | | |
| 46 | | KEY | (1) | | | |
| 50 | | SCREW | (14) | | | |
| 50A | | WASHER | (14) | | | |
| 51 | | PLUG | (1) | | | |
| 53 | | SLEEVE | (1) | | | ● |
| 55 | | KEY | (1) | | | |
| 59 | ◆ | LIP SEAL | 1 | AUX215438 | | ● |
| 63 | | CIRCLIPS | (1) | | | |
| 68 | | BALL BEARING | (2) | | | |
| 73 | | PIN | (1) | | | |
| 1656 | ◆ | CONVERSION KIT FOR 19R_22L TO 30R (NOT ASSEMBLED) | 1 | AUX319859 | ■ | |
| 3 | | COVER | (1) | | | |
| 7 | | LARGE GEAR | (1) | | | |
| 27A | | INLET SHAFT | (1) | | | |
| 32 | | SEAL | (1) | | | |
| 46 | | KEY | (1) | | | |
| 50 | | SCREW | (14) | | | |
| 50A | | WASHER | (14) | | | |
| 51 | | PLUG | (1) | | | |
| 53 | | SLEEVE | (1) | | | ● |
| 59 | ◆ | LIP SEAL | 1 | AUX215438 | | ● |
| 63 | | CIRCLIPS | (1) | | | |
| 68 | | BALL BEARING | (2) | | | |
| 73 | | PIN | (1) | | | |