



P.L. : 1401-Z01

Effective
Replaces

May 2022
March 2021

PARTS LIST
SCREW COMPRESSOR
MH6

Keep this parts lists with Installation, Operation and Maintenance Instructions.

To order the required spare parts, indicate the desired Reference(s).

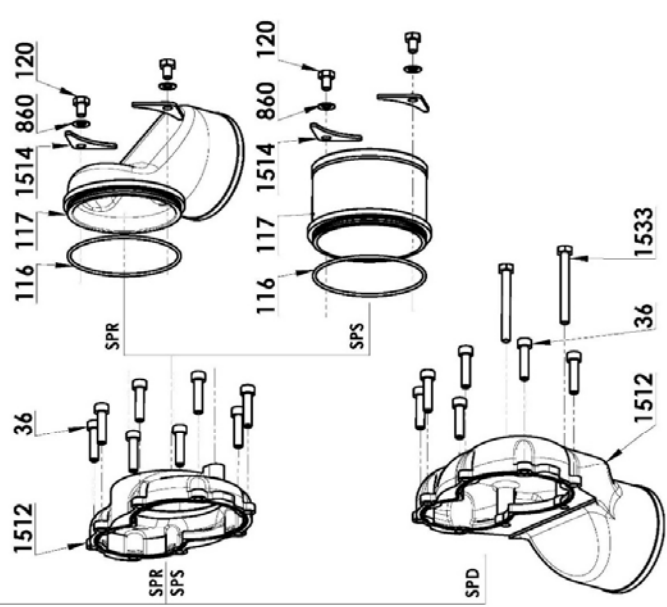
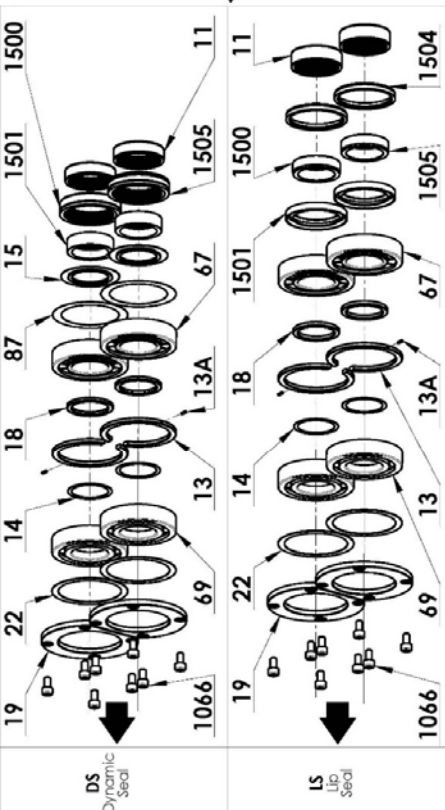
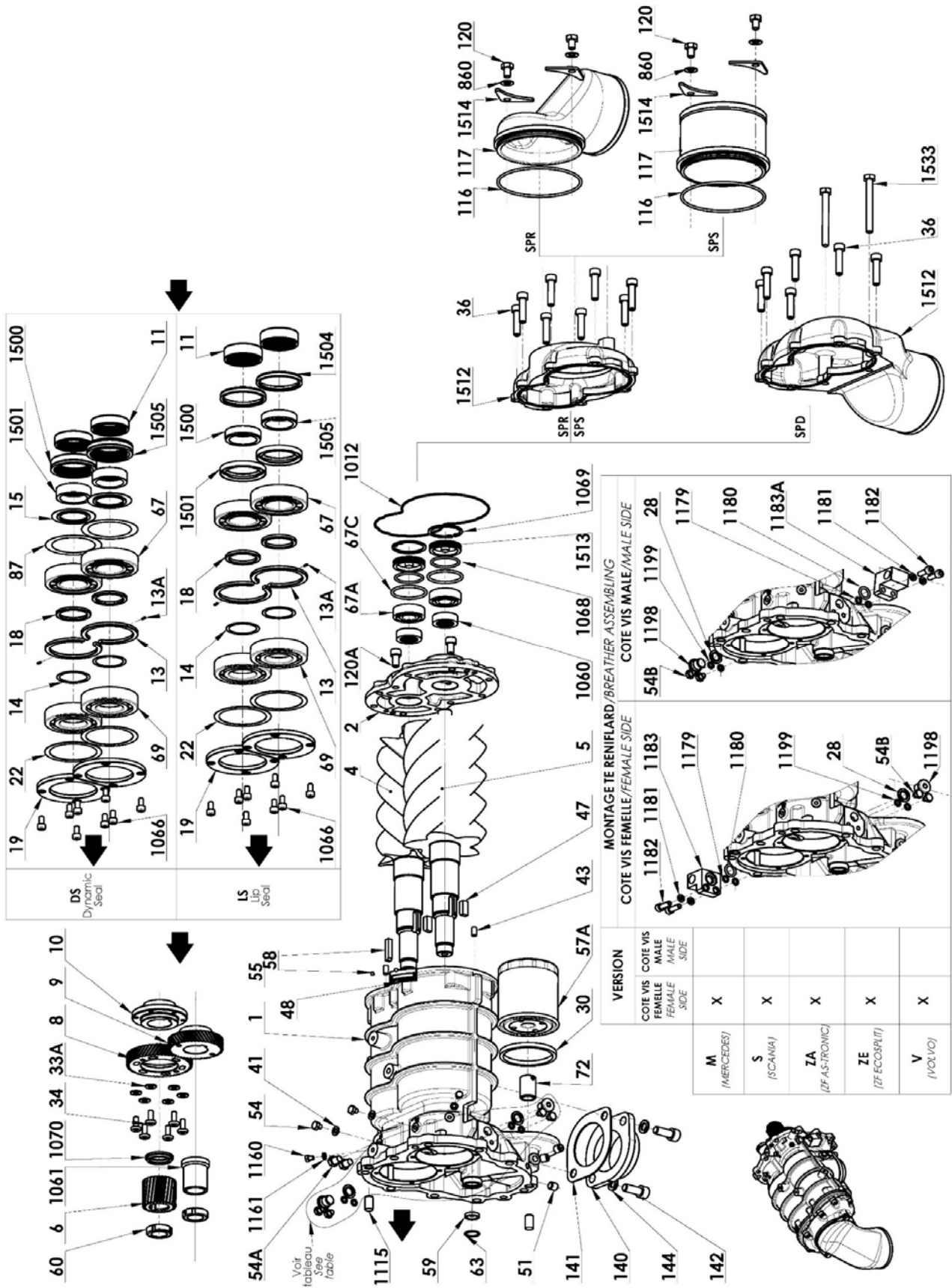
- ◆ Sets of parts or parts available to order.

[PSM] : ONLY FOR MOUVEX SERVICE POINTS

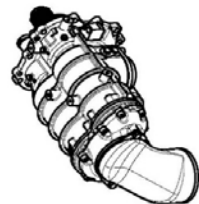
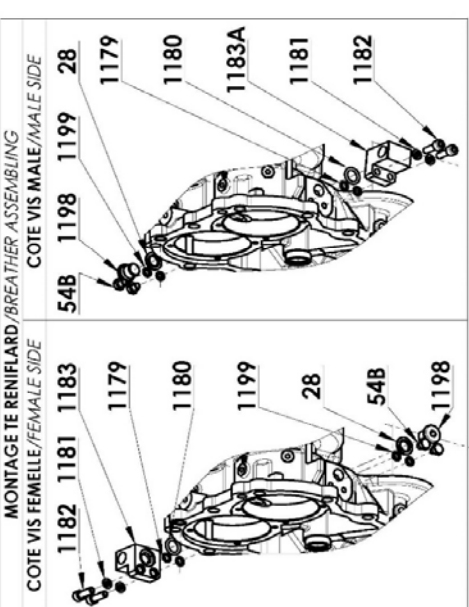
ACTION	MOUVEX MH6 SERVICE POINTS	OTHERS
Repairing	Allowed	Forbidden and voids the warranty. Compressor must be returned to MOUVEX Service Points or MOUVEX.

Z.I. la Plaine des Isles - 2 rue des Caillottes F-89000 AUXERRE - France
Tel : +33 (0)3 86 49 86 30 • Fax : +33 (0)3 86 49 87 17
contact.mouvex@psgdover.com • www.mouvex.com

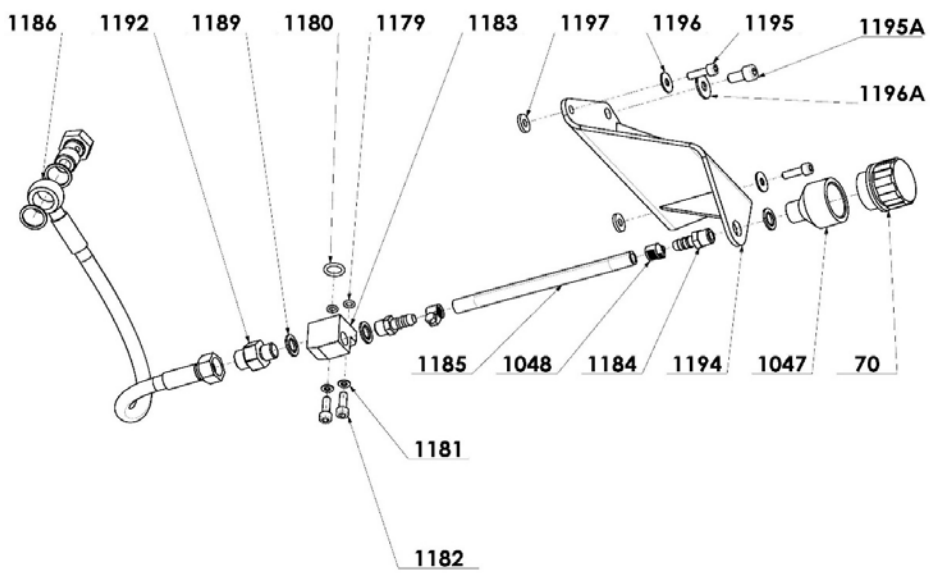
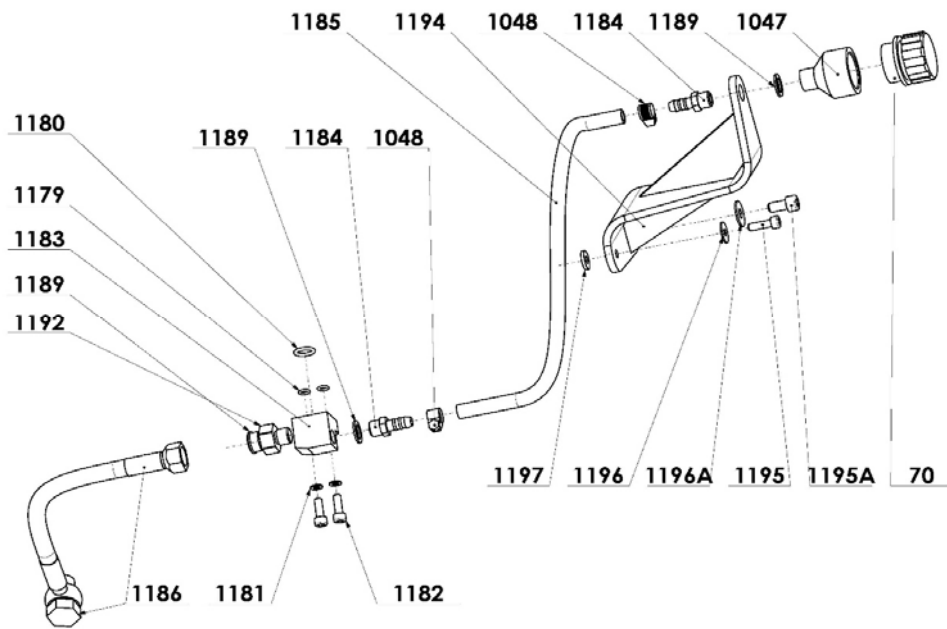
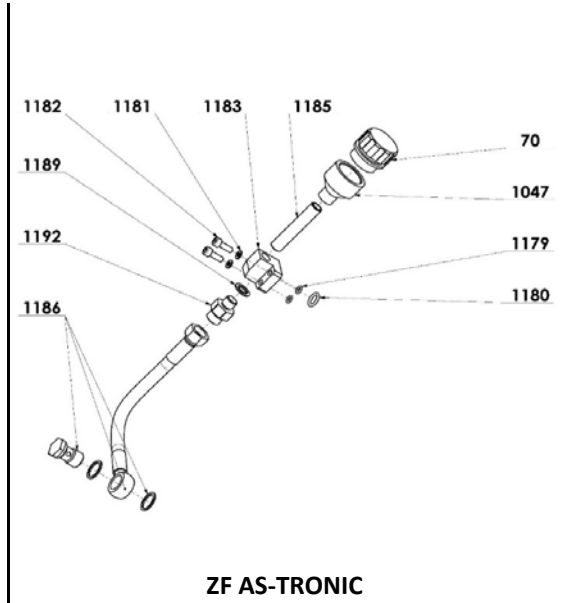
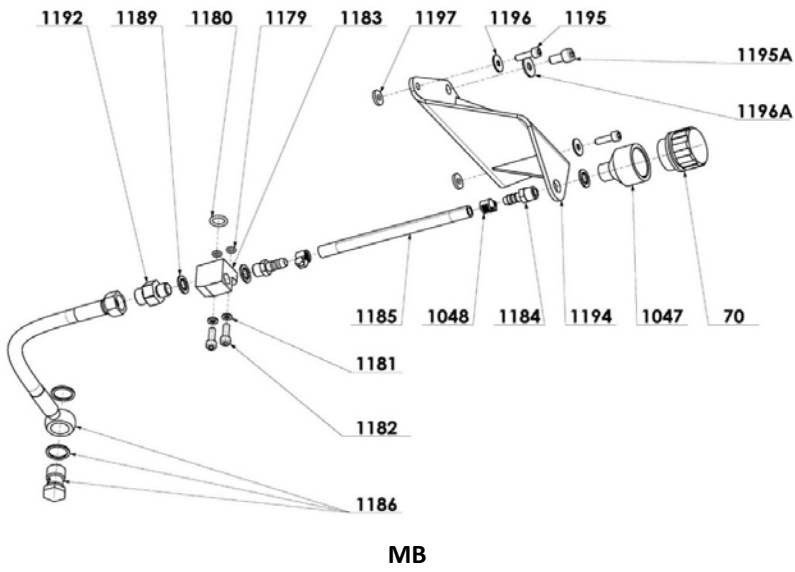
MH6 - DS (Dynamic Seal) & LS (Lip Seal)



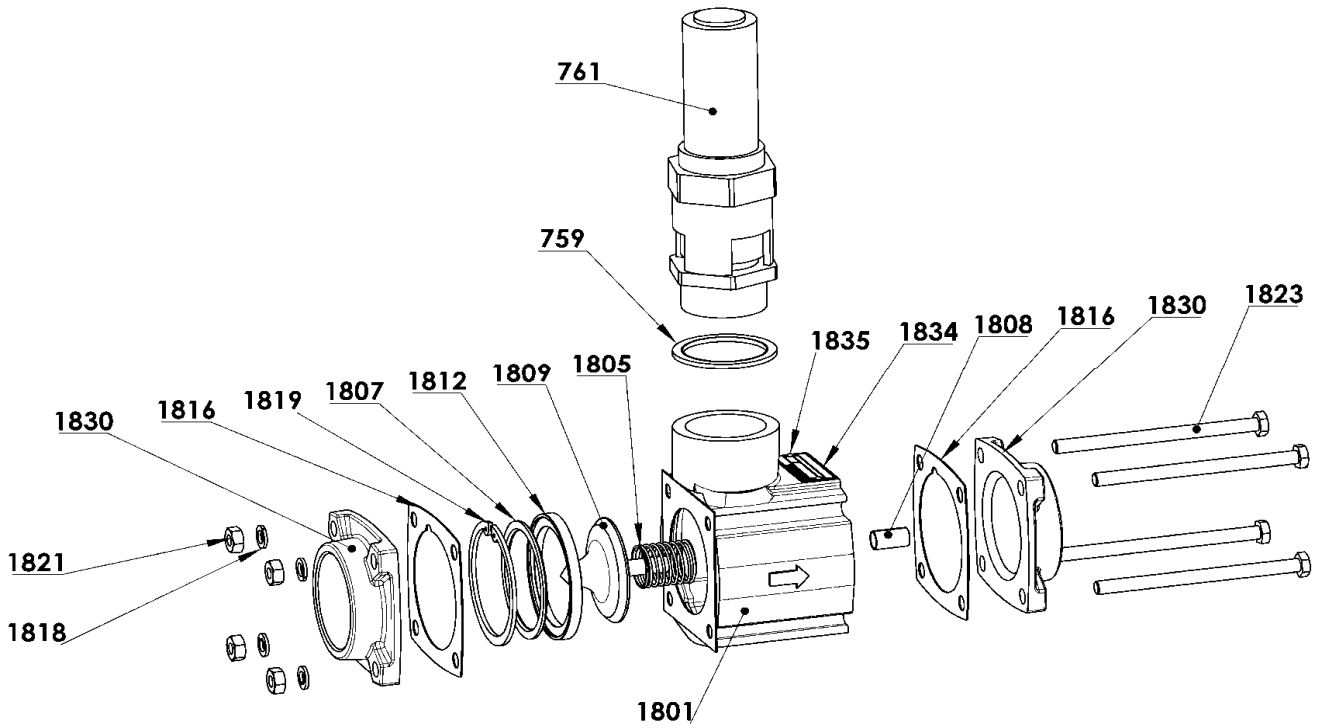
VERSION	COTE VIS FEMELLE / FEMALE SIDE		COTE VIS MÂLE / MALE SIDE	
	FEMELLE / SIDE	MÂLE / SIDE	FEMELLE / SIDE	MÂLE / SIDE
M (MERCEDES)	X		54B	1198
S (SCANIA)	X		1179	1180
ZA (ZF-AS-TRONIC)	X		1183	1183A
ZE (ZF-ECOSPLIT)	X		28	1181
V (VOLVO)	X		1198	1182



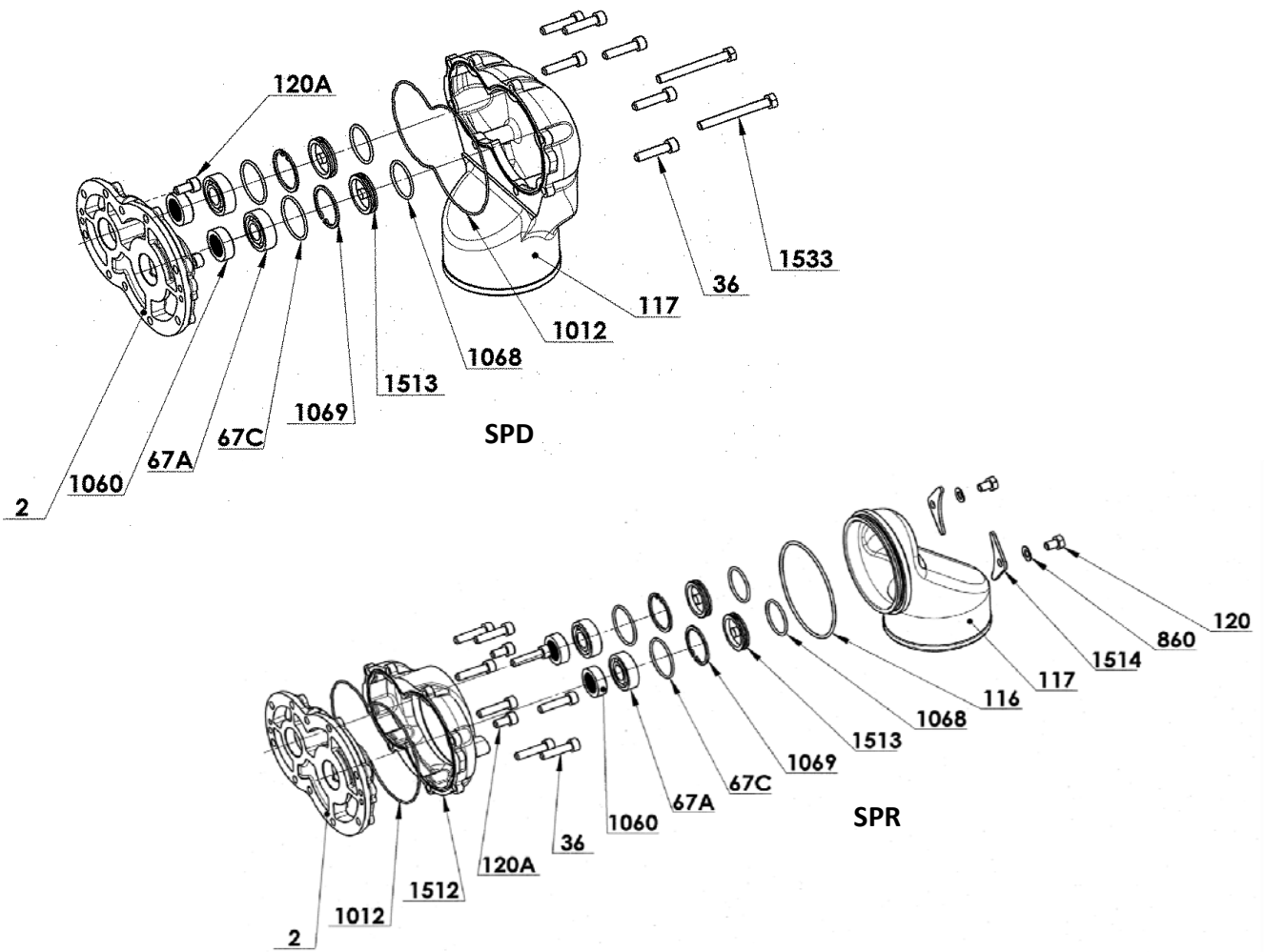
BREATHERS MH6 - DS



ACCESSORIES

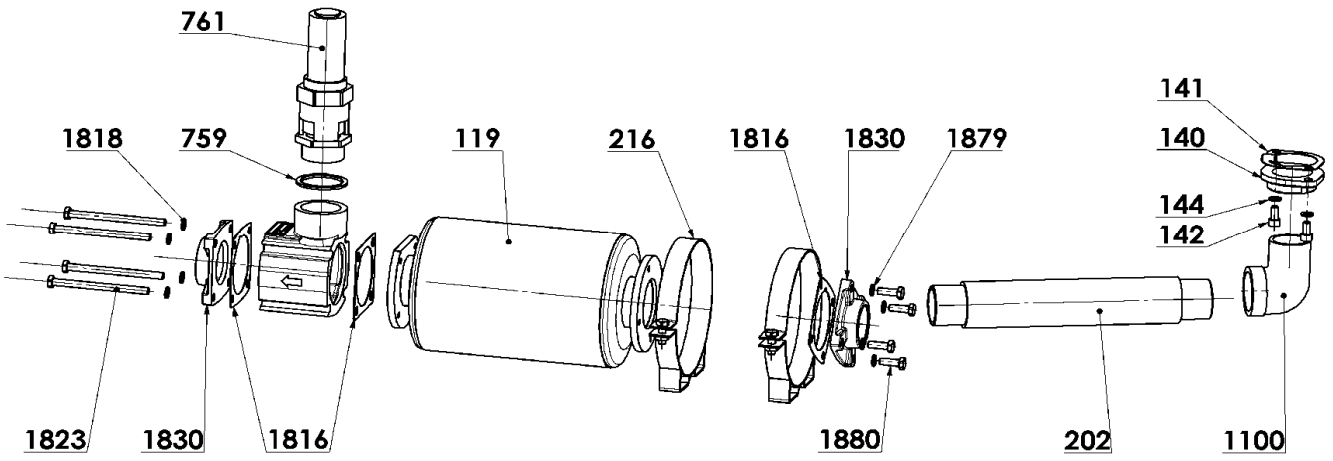


Check and relief valve

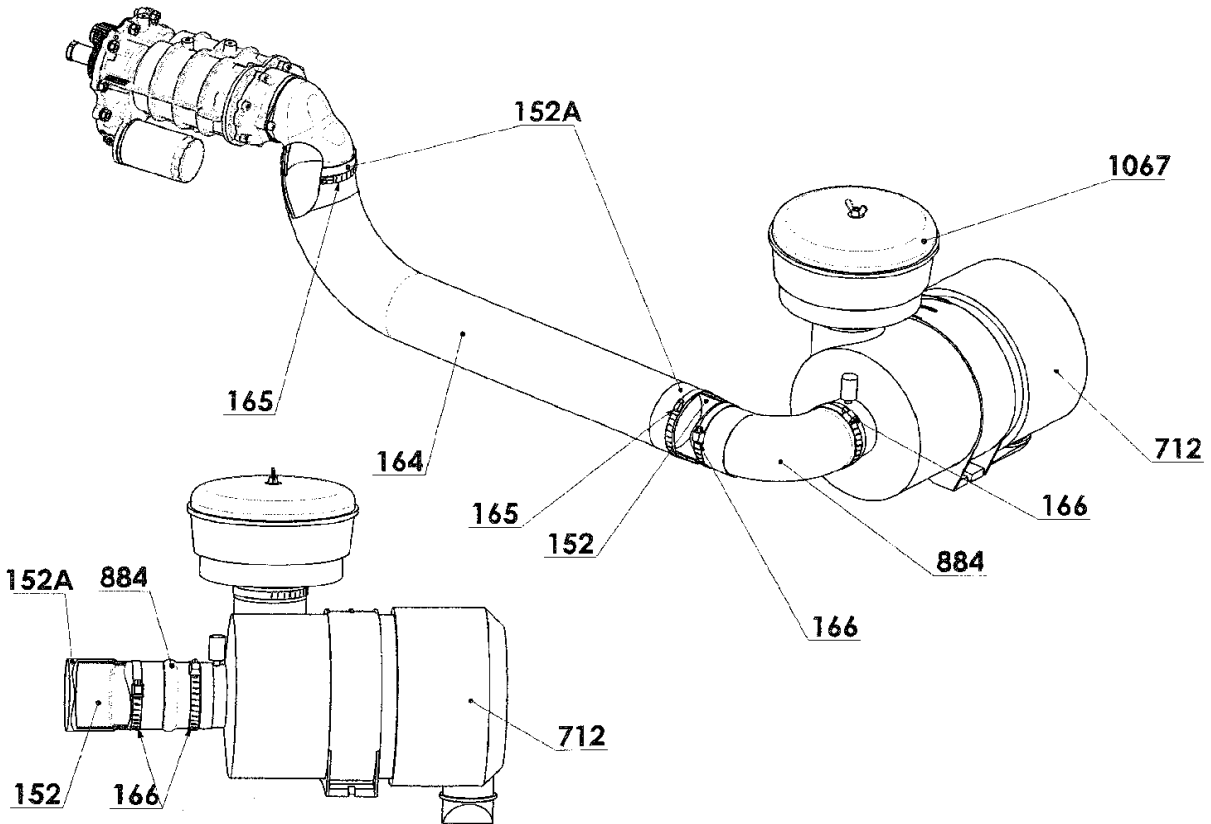


Kit suction pipe

ACCESSORIES

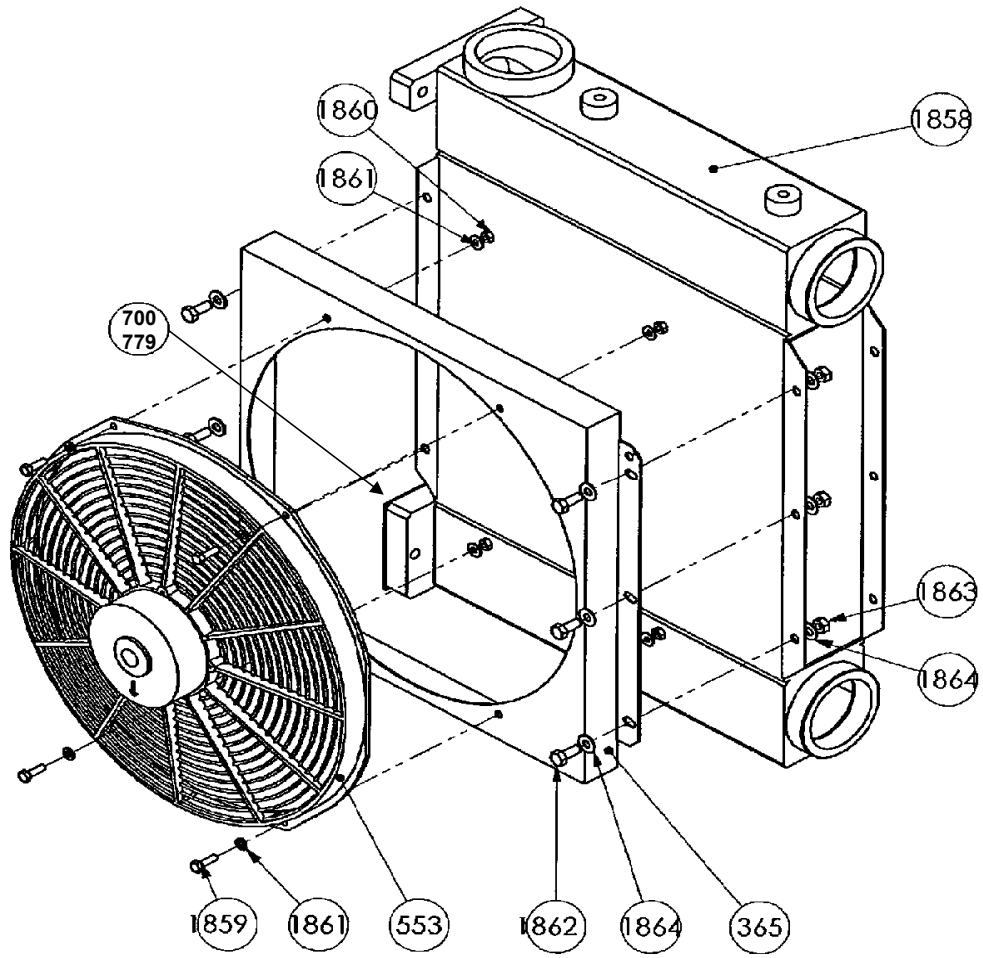


Silencer



Air filter

ACCESSORIES



Intercooler

TOOLS (ONLY FOR MOUVEX MH6 SERVICE POINTS)



AUX229735



AUX229736



AUX229737



AUX229738



AUX229739



AUX229740



AUX229741



AUX229747



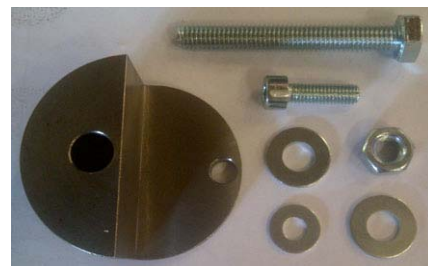
AUX234848



AUX316515



AUX316506



AUX316582



AUX316581



AUX316953

MH6

* 1, 2, 4... : Quantity in equipment - (1), (2), (4)... : Quantity in kit

Item	Available	Description	Qty*	Ref.	Maintenance kit	Wear part
1	◆	CASING [PSM]	1	AUX227012		
2	◆	GEAR BOX MH6 [PSM]	1	AUX229623		
1107	◆	EQUIPMENT KIT FOR MH6	1	AUX317730		
140	◆	MH6 DISCHARGE FLANGE	1	AUX229751		
141	◆	GASKET	2	AUX227610	■	
142		SCREW	(2)			
144		WASHER	(2)			
202	◆	DISCHARGE PRESSURE HOSE MH6	1	AUX226674	■	●
1081	◆	GASKET PTO	1	AUX227442	■	
57 (1)	◆	OIL FILTER ASSEMBLY MX12_MH6	1	AUX319999	■	●
30		SEAL	(1)			
57A		OIL FILTER	(1)			
59	◆	LIP SEAL	1	AUX227029		●
145	◆	SET OF SCREWS MH6 [PSM]	1	AUX315343		
1009	◆	PROTECTION GRID KIT SPD	1	AUX317106		
1009	◆	PROTECTION GRID KIT SPR - SPS	1	AUX317967		
1072	◆	COMPLETE BREATHER MERCEDES - DS	1	AUX317130		
70	◆	PLUG	1	AUX218847		
1047		CONNECTOR	(1)			
1048		HOSE CLAMP	(2)			
1179		SEAL	(2)			
1180		O-RING	(1)			
1181		SEAL WASHER	(2)			
1182		SCREW	(2)			
1183		FEMALE TEE	(1)			
1184		SERRATED SOCKET	(2)			
1185		HOSE	(1)			
1186		HOSE	(1)			
1189		SEAL WASHER	(3)			
1192		CONNECTOR	(1)			
1194		BRACKET	(1)			
1195		SCREW	(2)			
1195A		SCREW	(1)			
1196		WASHER	(2)			
1196A		WASHER	(1)			
1197		WASHER	(2)			
1197A		WASHER	(1)			
1072	◆	COMPLETE BREATHER SCANIA - DS	1	AUX320194		
70	◆	PLUG	1	AUX218847		
1047		CONNECTOR	(1)			
1048		HOSE CLAMP	(2)			
1179		SEAL	(2)			
1180		O-RING	(1)			
1181		SEAL WASHER	(2)			
1182		SCREW	(2)			
1183A		MALE TEE	(1)			
1184		SERRATED SOCKET	(2)			
1185		HOSE	(1)			
1186		HOSE	(1)			
1189		SEAL WASHER	(3)			
1192		CONNECTOR	(1)			
1194		BRACKET	(1)			
1195		SCREW	(2)			
1195A		SCREW	(1)			
1196		WASHER	(2)			
1196A		WASHER	(1)			
1197		WASHER	(2)			

(1) Only use filters recommended by MOUVEX in order to guarantee the proper functioning of the compressor.

This is equipped with a hightemperature resistant special seal.

MH6

* 1, 2, 4... : Quantity in equipment - (1), (2), (4)... : Quantity in kit

Item	Available	Description	Qty*	Ref.	Maintenance kit	Wear part
1072	◆	COMPLETE BREATHER VOLVO - DS	1	AUX318512		
70	◆	PLUG	1	AUX218847		
1047		CONNECTOR	(1)			
1048		HOSE CLAMP	(2)			
1179		SEAL	(2)			
1180		O-RING	(1)			
1181		SEAL WASHER	(2)			
1182		SCREW	(2)			
1183		FEMALE TEE	(1)			
1184		SERRATED SOCKET	(2)			
1185		HOSE	(1)			
1186		HOSE	(1)			
1189		SEAL WASHER	(3)			
1192		CONNECTOR	(1)			
1194		BRACKET	(1)			
1195		SCREW	(2)			
1195A		SCREW	(1)			
1196		WASHER	(2)			
1196A		WASHER	(1)			
1197		WASHER	(2)			
1197A		WASHER	(1)			
1072	◆	COMPLETE BREATHER ZF ASTRONIC_TRAXON - DS	1	AUX317138		
70	◆	PLUG	1	AUX218847		
1047		CONNECTOR	(1)			
1179		SEAL	(2)			
1180		O-RING	(1)			
1181		SEAL WASHER	(2)			
1182		SCREW	(2)			
1183		FEMALE TEE	(1)			
1185		HOSE	(1)			
1186		HOSE	(1)			
1189		SEAL WASHER	(1)			
1192		CONNECTOR	(1)			
1072	◆	COMPLETE BREATHER ZF ECOSPLIT - DS	1	AUX318769		
70	◆	PLUG	1	AUX218847		
1047		CONNECTOR	(1)			
1048		HOSE CLAMP	(2)			
1179		SEAL	(2)			
1180		O-RING	(1)			
1181		SEAL WASHER	(2)			
1182		SCREW	(2)			
1183		FEMALE TEE	(1)			
1184		SERRATED SOCKET	(2)			
1185		HOSE	(1)			
1186		HOSE	(1)			
1189		SEAL WASHER	(3)			
1192		CONNECTOR	(1)			
1156	◆	DRIVING GEAR RATIO C SET [PSM]	1	AUX315626		
1156	◆	DRIVING GEAR RATIO E SET [PSM]	1	AUX315627		
6		GEAR	(1)			
55		KEY	(1)			
60		BEARING NUT	(1)			

MH6

* 1, 2, 4... : Quantity in equipment - (1), (2), (4)... : Quantity in kit

Item	Available	Description	Qty*	Ref.	Maintenance kit	Wear part
1162	◆	CASING KIT [PSM]	1	AUX316510		
1	◆	CASING [PSM]	1	AUX227012		
41		WASHER	(2)			
43		PIN	(2)			
48		SERIAL NUMBER PLATE	(1)			
51		PLUG	(3)			
54		SCREW	(2)			
54A		PLUG	(2)			
58		RIVET	(2)			
59	◆	LIP SEAL	1	AUX227029		●
63		CIRCLIPS	(1)			
72		RING	(1)			
1115		PIN	(2)			
1160		SCREW	(2)			
1161		SEAL	(2)			
1191	◆	BREATHER PLUG KIT - MH6	2	AUX317142		
1163	◆	SET OF BRONZE SEALS LS [PSM]	1	AUX316511		
11		BRONZE SEAL	(2)			
1060		BRONZE SEAL	(2)			
1163A	◆	SET OF BRONZE SEALS - DS [PSM]	1	AUX317961		
11		BRONZE SEAL	(2)			
1060		BRONZE SEAL	(2)			
1164	◆	BEARINGS KIT [PSM]	1	AUX316512		
67		BALL BEARING	(2)			
67A		BALL BEARING	(2)			
67C		O-RING	(2)			
69		THRUST BALL BEARING	(2)			
1165	◆	SYNCHRONIZATION GEARS MH6 B600 [PSM]	1	AUX316513		
33A		WASHER	(6)			
34		SCREW	(6)			
189		SYNCHRONIZATION GEARS	(1)			
1166	◆	SET OF SHIMS [PSM]	1	AUX316514		
14		SET OF SHIMS	(2)			
18		SET OF SHIMS	(2)			
22		SET OF SHIMS	(2)			
1167	◆	SET OF SCREWS KEYS PINS [PSM]	1	AUX316507		
33A		WASHER	(6)			
34		SCREW	(6)			
43		PIN	(2)			
47		KEY	(2)			
55		KEY	(1)			
1066		SCREW	(8)			
1115		PIN	(2)			

MH6

* 1, 2, 4... : Quantity in equipment - (1), (2), (4)... : Quantity in kit

Item	Available	Description	Qty*	Ref.	Maintenance kit	Wear part
1168	◆	LIP SEAL KIT - LS [PSM]	1	AUX316508		
59	◆	LIP SEAL	1	AUX227029		●
63		CIRCLIPS	(1)			
1500		MH6 SLEEVE LH	(1)			
1501		RIGHT LIP	(2)			
1504		SPACER	(2)			
1505		MH6 SLEEVE RH	(1)			
1168A	◆	BRONZE SEALS KIT - DS [PSM]	1	AUX317965		
15		CENTRIFUGATION DISK	(2)			
87		DEFLECTOR	(2)			
1500		BUSHING	(1)			
1501		RING	(2)			
1505		BUSHING	(1)			
1169	◆	BEARING NUTS KIT [PSM]	1	AUX316509		
60		BEARING NUT	(2)			
1191	◆	BREATHER PLUG KIT - MH6 DS	1	AUX317142		
1191	◆	BREATHER PLUG KIT - MH6 LS	2	AUX317142		
1531	◆	BSCMH OIL - CAN 5 L	1	AUX318614		
1531	◆	BSCMH OIL - CAN 7 L	1	AUX318228		
1531	◆	BSCMH OIL - 3 CANS 5 L	1	AUX318443		
1562	◆	SERVICE TOOLS MH6 [PSM]	1	AUX316795		
1550	◆	TOOL BRONZE SEAL EXTRACTOR [PSM]	1	AUX316506		
1551	◆	TOOL BRONZE SEAL ASSEMBLING (CASING) [PSM]	1	AUX229740		
1552	◆	TOOL SMALL LIP SEALS ASSEMBLING [PSM]	1	AUX229741		
1553	◆	TOOL BRONZE SEAL ASSEMBLING (GEAR BOX) [PSM]	1	AUX229735		
1554	◆	TOOL GEARBOX BEARING ASSEMBLING EXT RING [PSM]	1	AUX229736		
1555	◆	TOOL SLEEVES ASSEMBLING [PSM]	1	AUX229739		
1556	◆	TOOL LIP SEALS ASSEMBLING STABBING CONE [PSM]	1	AUX229747		
1557	◆	TOOL LIP SEALS ASSEMBLING LS [PSM]	1	AUX229738		
1557A	◆	TOOL ASSEMBLING FOR BRONZE SEALS - DS [PSM]	1	AUX234848		
1558	◆	TOOL GEARBOX BEARING ASSEMBLING [PSM]	1	AUX229737		
1559	◆	TOOL SHAFT ASSEMBLING (COMPARATOR) [PSM]	1	AUX316515		
1560	◆	TOOL SCREW LOCK [PSM]	1	AUX316581		
1561	◆	TOOL SYNCHRONIZATION GEARS LOCK [PSM]	1	AUX316582		
1592	◆	TOOL SYNCHRONIZATION GEARS LOCK [PSM]	1	AUX316953		
1879	◆	SEALS_SCREWS KIT FOR CHECK VALVE (NOT ASSEMBLED)	1	AUX314413	■	
759		SEAL WASHER	(1)			
1816	◆	GASKET	2	AUX220562	■	
1818		WASHER	(4)			
1821		NUT	(4)			
1823		SCREW	(4)			
1880	◆	SEALING KIT FOR CHECK VALVE (NOT ASSEMBLED)	1	AUX314412	■	
1805		SPRING	(1)			
1807		WASHER	(1)			
1808		BUSH	(1)			
1812		SEAL	(1)			
1819		CIRCLIPS	(1)			

MH6

* 1, 2, 4... : Quantity in equipment - (1), (2), (4)... : Quantity in kit

Item	Available	Description	Qty*	Ref.	Maintenance kit	Wear part
1913	◆	KIT SUCTION PIPE ROTARY (SPR)	1	AUX316729		
36		SCREW	(8)			
116	◆	O-RING	1	AUX200760	■	
117		SUCTION PIPE	(1)			
120		SCREW	(2)			
120A		SCREW	(2)			
860		WASHER	(2)			
1012	◆	O-RING	1	AUX229622	■	
1512		SUCTION COVER	(1)			
1514	◆	CLAMP	2	AUX228804		
1913	◆	KIT SUCTION PIPE DOWN (SPD)	1	AUX316730		
36		SCREW	(6)			
117		SUCTION PIPE	(1)			
120A		SCREW	(2)			
1012	◆	O-RING	1	AUX229622	■	
1533		SCREW	(2)			
1913	◆	KIT SUCTION PIPE STRAIGHT (SPS)	1	AUX316731		
36		SCREW	(8)			
116	◆	O-RING	1	AUX200760	■	
117		SUCTION PIPE	(1)			
120		SCREW	(2)			
120A		SCREW	(2)			
860		WASHER	(2)			
1012	◆	O-RING	1	AUX229622	■	
1512		SUCTION COVER	(1)			
1514	◆	CLAMP	2	AUX228804		

ACCESSORIES

* 1, 2, 4... : Quantity in equipment - (1), (2), (4)... : Quantity in kit

Item	Available	Description	Qty*	Ref.	Maintenance kit	Wear part
119	◆	SILENCER ASSEMBLY (119+216+1816+1823+1879+1880) (2)	1	AUX315554	■	
1816	◆	GASKET	(2)	AUX220562	■	
216A	◆	HOSE CLAMP KIT FOR MH6 SILENCER	1	AUX319981		
216	◆	HOSE CLAMP	(2)		■	
153	◆	SUCTION HOSE KIT (MH6) (152A+164+165)	1	AUX315636	■	
152A	◆	HEAT SHRINKABLE SLEEVE (MH6)	(2)	AUX228763		
153A	◆	COMPLEMENTARY CONNECTION KIT (TO FIT THE FILTER BEHIND THE CAB) (152+166+884)	1	AUX315571	■	
154	◆	AIR FILTER ASSEMBLY FC7 WITH STRAIGHT OUTLET	1	AUX313690	■	
154	◆	AIR FILTER ASSEMBLY FC7 WITH 90° OUTLET (152+154+161+166+884)	1	AUX315553	■	
161	◆	FILTER ELEMENT FC7	(1)	AUX223650	■	●
175	◆	INTERCOOLER ASSEMBLY	1	AUX314123		
365	◆	INTERCOOLER SUCTION COVER	1	AUX230413		
553	◆	AXIAL FAN 24 VDC	1	AUX241118	■	
553	◆	AXIAL FAN 12 VDC	1	AUX231717	■	
700	◆	GASKET	1	AUX224729		
735**		NUT	(2)			
779		PLUG	(1)			
792**		SCREW	(2)			
793**		SCREW	(1)			
794**		WASHER	(3)			
1858		INTERCOOLER	(1)			
1859		SCREW	(4)			
1860		NUT	(4)			
1861		WASHER	(8)			
1862		SCREW	(6)			
1863		NUT	(6)			
1864		WASHER	(12)			
524	◆	CHECK RELIEF VALVE 2" _2.5" 2 BAR	1	AUX316109	■	
524	◆	CHECK RELIEF VALVE 2" _2.5" 2.3 BAR	1	AUX316108	■	
524	◆	CHECK RELIEF VALVE 2" _2.5" 2.5 BAR (759+761+1801+1805+1807+1808+1809+1812+1816+1818 +1819+1821+1823+1830+1831+1834+1835+1883)	1	AUX316107	■	
1816	◆	GASKET	(2)	AUX220562	■	
1830	◆	FLANGE 2.5" BSP	(1)	AUX227439		
1883	◆	FLANGE 2" BSP	(1)	AUX227419		
1885	◆	CHECK RELIEF VALVE 3" 2.5 BAR WITHOUT RELIEF VALVE	1	AUX316495		
759		SEAL WASHER	(1)			
1801		CHECK VALVE CASING	(1)			
1805		SPRING	(1)			
1807		WASHER	(1)			
1808		BUSH	(1)			
1809		VALVE	(1)			
1812		SEAL	(1)			
1816	◆	GASKET	2	AUX220562	■	
1818		WASHER	(4)			
1819		CIRCLIPS	(1)			
1821		NUT	(4)			
1823		SCREW	(4)			
1830	◆	FLANGE 2.5" BSP	1	AUX227439		
1831		OBTURATOR	(2)			
1834		SERIAL NUMBER PLATE	(1)			
1835		PIN	(2)			
1883	◆	FLANGE 2" BSP	1	AUX227419		
778	◆	COMPLETE RELIEF VALVE 2 BAR	1	AUX313477	■	
778	◆	COMPLETE RELIEF VALVE 2.3 BAR	1	AUX313494	■	
778	◆	COMPLETE RELIEF VALVE 2.5 BAR (759+761)	1	AUX313473	■	
1100	◆	ELBOW 90°	1	AUX227080	■	
1118	◆	ELBOW 45°	1	AUX227389	■	
1881	◆	FLANGE KIT 2" BSP (1816+1830+1879+1880)	1	AUX315567	■	
1830	◆	FLANGE 2" BSP	(2)	AUX227419		

(2) Item 1823 to be used only if the check relief valve is flanged on the silencer.