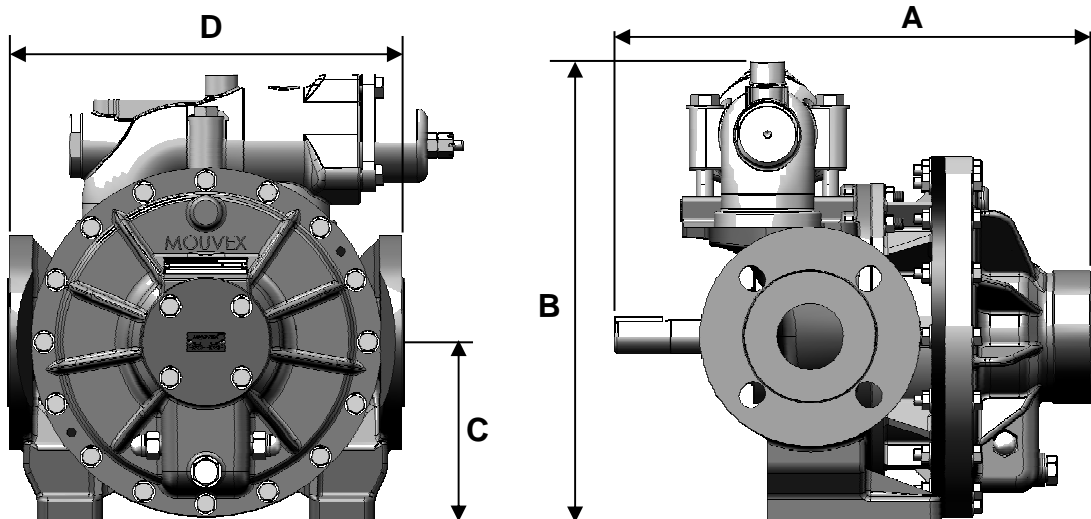


TECHNICAL CHARACTERISTICS

	STANDARD	AVAILABLE OPTIONS
Technology	Eccentric Disc Mouvex®	
Maximum Flow rate at 1 cSt m³/h (GPM)	11.7 (51.5)	
Displacement L (gal) per rotation	0.399 (0.1054)	
Internal relief valve	With	Double, Without
Rotation	Clockwise (1)	Anticlockwise (1)
Ports	Mouvex flanges DN 50	ISOPN16 / ANSI150
Heating	None	Heating jacket
Dimensions mm (in.)	A 364 (14.330)	
	B 347 (13.661)	
	C 140 (5.512)	
	D 300 (11.811)	306 (12.047) with PN16 / ANSI150
Weight kg (lbs)	49 (108.03)	

(1) Looking at shaft end.

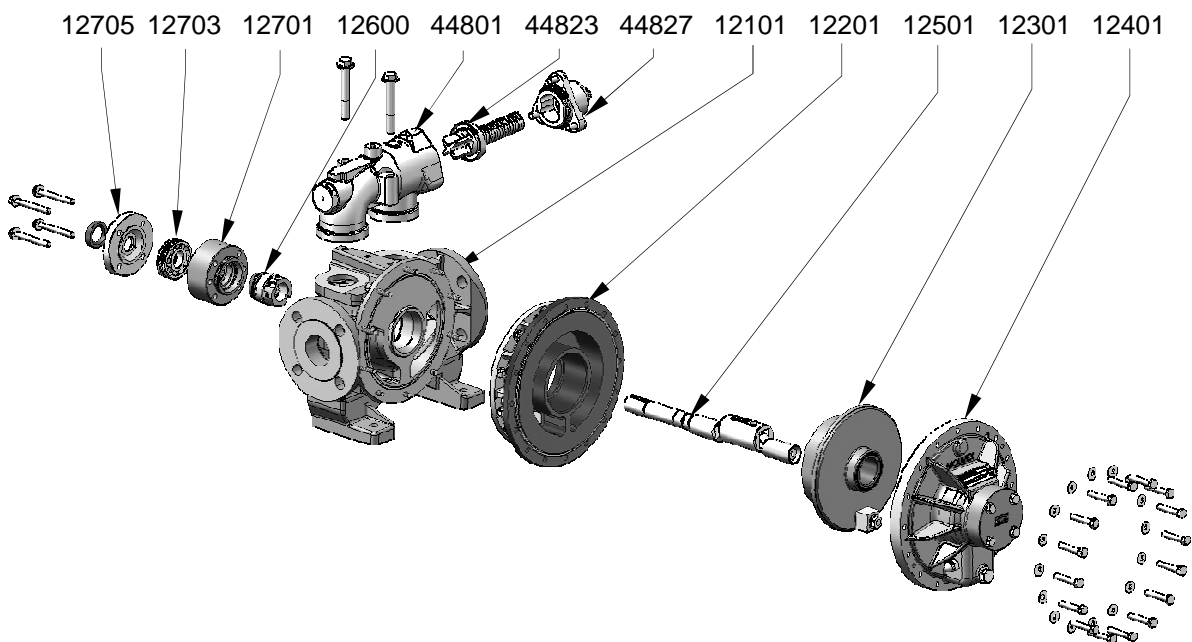


OPERATING LIMITS

	STANDARD MATERIALS	OPTIONS
Minimum temperature °C (°F)	-10 (14)	
Maximum temperature °C (°F)	150 (302)	
Maximum in-pump dynamic viscosity cSt (SSU)	15000 (69500)	
Maximum differential pressure bar (psi)	10 (145)	Bronze bushings 5 (72)
Maximum speed (rpm)	500	
Maximum solid particle size mm (in)	2 (0.079)	
Maximum soft particle size mm (in)	6.5 (0.25)	

MATERIALS OF CONSTRUCTION

Part No	PART NAME	STANDARD MATERIALS	AVAILABLE OPTIONS
12101	Main casing	SG iron EN-GJS-500-7 / 80.55.06	
12201	Cylinder	SG iron EN-GJS-500-7 / 80.55.06	
12301	Disc	SG iron EN-GJS-600-3 / 100.70.03	
12401	Front cover	SG iron EN-GJS-500-7 / 80.55.06	
12501	Shaft	Steel 42CRMO4	
	Bushings	Carbon	Bronze
	Static O-rings	FKM	FKM FEP
	Screw and nuts	Zinc plated steel	
12600	Mechanical seal	Carbon / stainless steel / FKM	Carbon / stainless steel / FKM FEP Tungsten carbide / TC / FKM Tungsten carbide / TC / FKM FEP Standardized seal
12701	Bearing holder	Steel C35E	
12703	Bearing	Steel	
12705	Bearing cover	Steel C35E	
44801	Relief valve casing	SG iron EN-GJS-500-7 / 80.55.06	
44827	Relief valve cover	SG iron EN-GJS-500-7 / 80.55.06	
44823	Valve	Cast iron	



Z.I Plaine des Isles – 2 Rue des Caillottes F-89000 Auxerre France
www.psgdover.com

Non-contractual document. Mouvex may modify the products described in this document without prior notice.