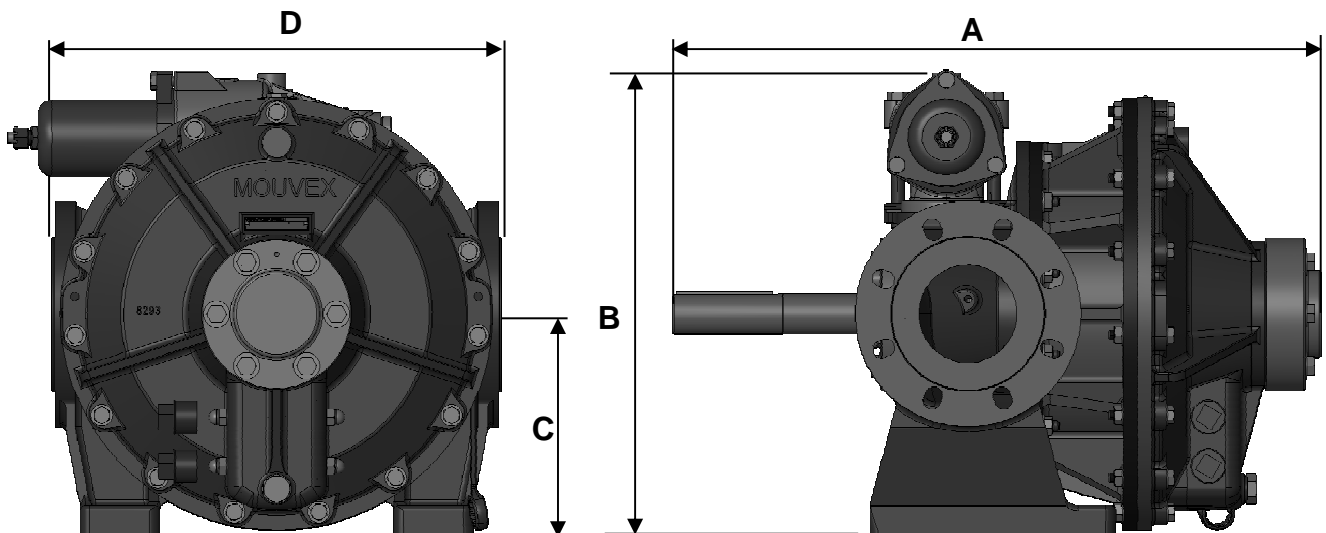


### TECHNICAL CHARACTERISTICS

		STANDARD	AVAILABLE OPTIONS
<b>Technology</b>		Eccentric Disc Mouvex®	
<b>Maximum Flow rate at 1 cSt m<sup>3</sup>/h (GPM)</b>		55 (242)	
<b>Displacement L (gal) per rotation</b>		2.533 (0.669)	
<b>Internal relief valve</b>		With	Double, Without
<b>Rotation</b>		Clockwise (1)	Anticlockwise (1)
<b>Ports</b>		Mouvex flanges DN100	ISOPN16, ANSI150
<b>Heating</b>		None	Heating jacket
<b>Dimensions mm (in.)</b>	<b>A</b>	570 (22.44)	
	<b>B</b>	475 (18.7)	
	<b>C</b>	225 (8.86)	
	<b>D</b>	450 (17.72)	
<b>Weight kg (lbs)</b>		150 (331)	

(1) Looking at shaft end.



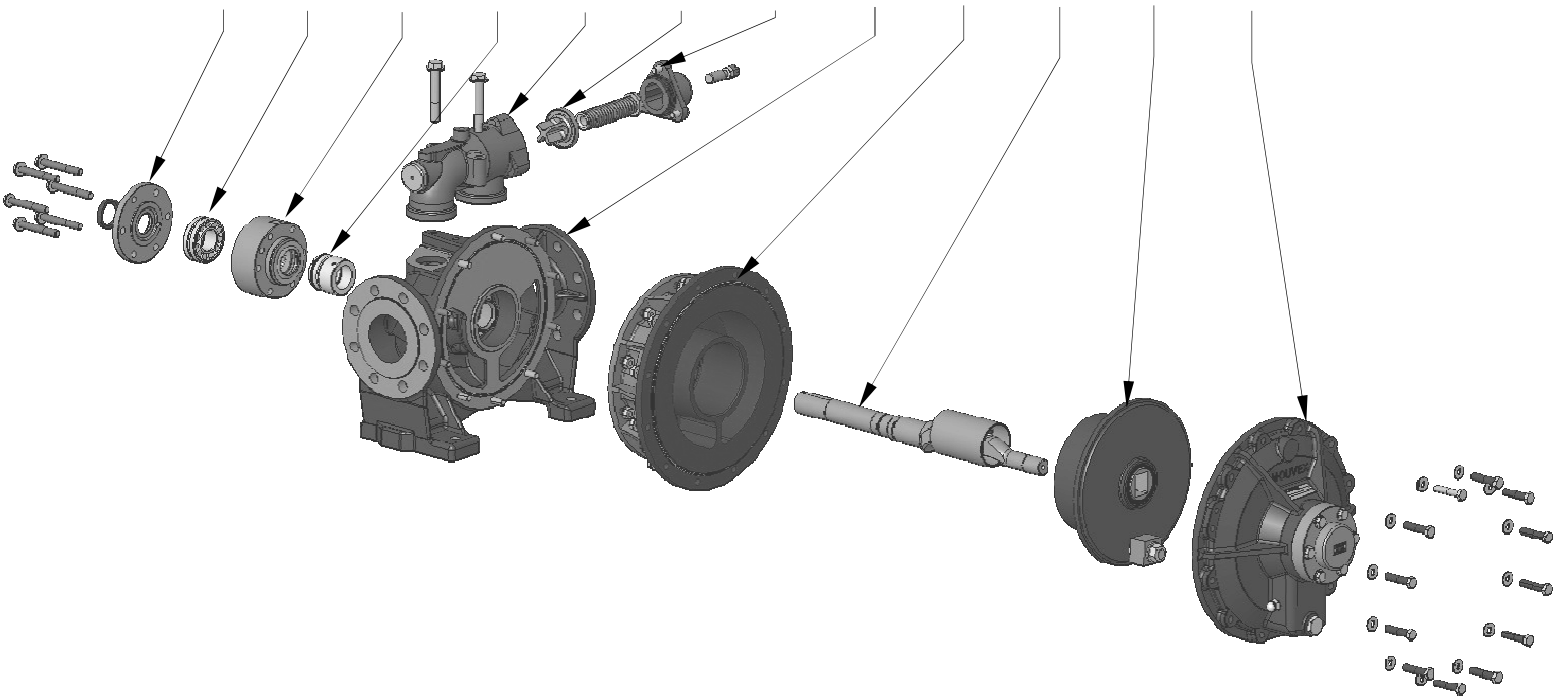
### OPERATING LIMITS

	STANDARD MATERIALS	AVAILABLE OPTIONS
Minimum temperature °C (°F)	-10 (14)	
Maximum temperature °C (°F)	150 (302)	
Maximum in-pump dynamic viscosity cSt (SSU)	15000 (69500)	
Maximum differential pressure bar (psi)	10 (145)	Bronze bushings 5 (72)
Maximum speed (rpm)	350	
Maximum solid particle size mm (in)	2 (0.079)	
Maximum soft particle size mm (in)	6.5 (0.25)	

### MATERIALS OF CONSTRUCTION

Part No	PART NAME	STANDARD MATERIALS	AVAILABLE OPTIONS
12101	Main casing	SG iron EN-GJS-500-7 / 80.55.06	
12201	Cylinder	SG iron EN-GJS-500-7 / 80.55.06	
12301	Disc	SG iron EN-GJS-600-3 / 100.70.03	
12401	Front cover	SG iron EN-GJS-500-7 / 80.55.06	
12501	Shaft	Steel 42CRMO4	
	Bushings	Carbon	Bronze
	Static O-rings	FKM	FKM FEP
	Screw and nuts	Zinc plated steel	
12600	Mechanical seal	Carbon / stainless steel / FKM	Carbon / stainless steel / FKM FEP Tungsten carbide / TC / FKM Tungsten carbide / TC / FKM FEP Standardized seal
12701	Bearing holder	Steel C35E	
12703	Bearing	Steel	
12705	Bearing cover	Steel C35E	
44801	Relief valve casing	SG iron EN-GJS-500-7 / 80.55.06	
44827	Relief valve cover	SG iron EN-GJS-500-7 / 80.55.06	
44823	Valve	Cast iron	

12705 12703 12701 12600 44801 44823 44827 12101 12201 12501 12301 12401



Z.I Plaine des Isles – 2 Rue des Caillottes F-89000 Auxerre France  
[www.psgdover.com](http://www.psgdover.com)

Non-contractual document. Mouvex may modify the products described in this document without prior notice.