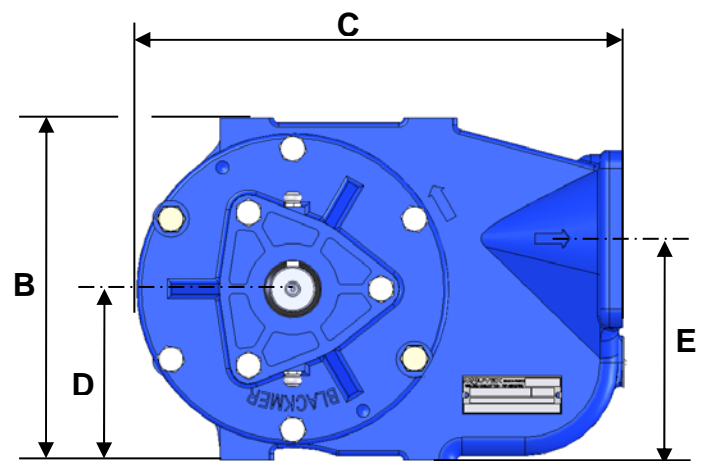
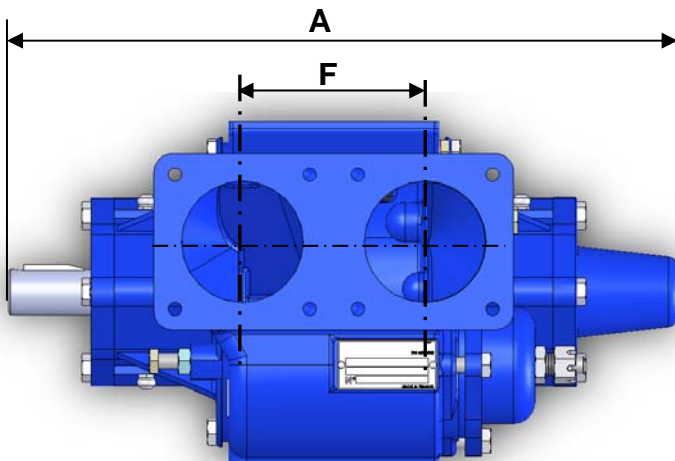


### CHARACTERISTICS

	STANDARD (A)	AVAILABLE OPTIONS
<b>Technology</b>	6 vanes	C: 6 bronze vanes
<b>Maximum Flow rate at 1 cSt in m<sup>3</sup>/h (GPM)</b>	65 (287)	C: 44 (194)
<b>Power requested (KW) and Torque (Nm) at 750rpm 8bar at 10Cst</b>	13      166	
<b>Power requested (KW) and Torque (Nm) at 1000rpm 4 bar at 10 Cst</b>	8.5      81	
<b>Cubic capacity L (cu.in)</b>	1.095 (61.023744)	
<b>By-pass</b>	Simple, not reversible	Pneumatic, Pneumatic + spring
<b>Rotation direction</b>	CW or CCW (2 ended shafts)	
<b>Ports</b>	Flanges Ø 80	
<b>Heating</b>	Without	
<b>Dimensions mm (in.)</b>	<b>A</b>	475 (18.7)
	<b>B</b>	236 (9.29)
	<b>C</b>	338 (13.30)
	<b>D</b>	118 (4.64)
	<b>E</b>	151 (5.94)
	<b>F</b>	120 (4.72)
<b>Weight kg (lbs)</b>	57 (126)	



### OPERATING LIMITS

	STADARD MATERIALS
Minimum temperature °C (°F)	-20 (-4)
Maximum temperature °C (°F)	80 (176) – C : 170 (338)
Maximum viscosity cSt (SSU)	50 (260) for 6 vanes, C: 900 (4300)
Maximum differential pressure bar (psi)	8 (116)
Minimum speed (rpm) without pushrods	450
Maximum speed (rpm) at 8 bar	750
Minimum speed (rpm) at 4 bar	1000 – C : 750

### MATERIAL OF CONSTRUCTION

Part No	PART NAME	STANDARD MATERIAL	AVAILABLE OPTIONS
100	Casing	Cast Iron	
300	Rotor	Cast iron	
317	Vanes	PPS	C: Bronze
400	Ends	Cast iron	
500	Shaft	Steel	
703	Ball bearings	Steel	C: high temperature
	Static O-rings	Nitrile	FKM
630	Mechanical seal	Carbon / stainless steel	C: Bronze / Stainless steel
630	Mechanical seal O-rings	FKM	C: FKM HT

