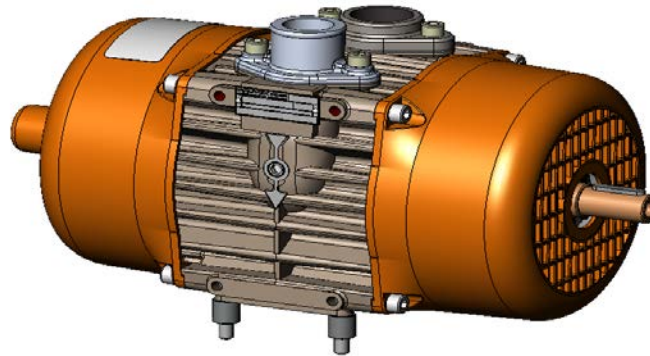
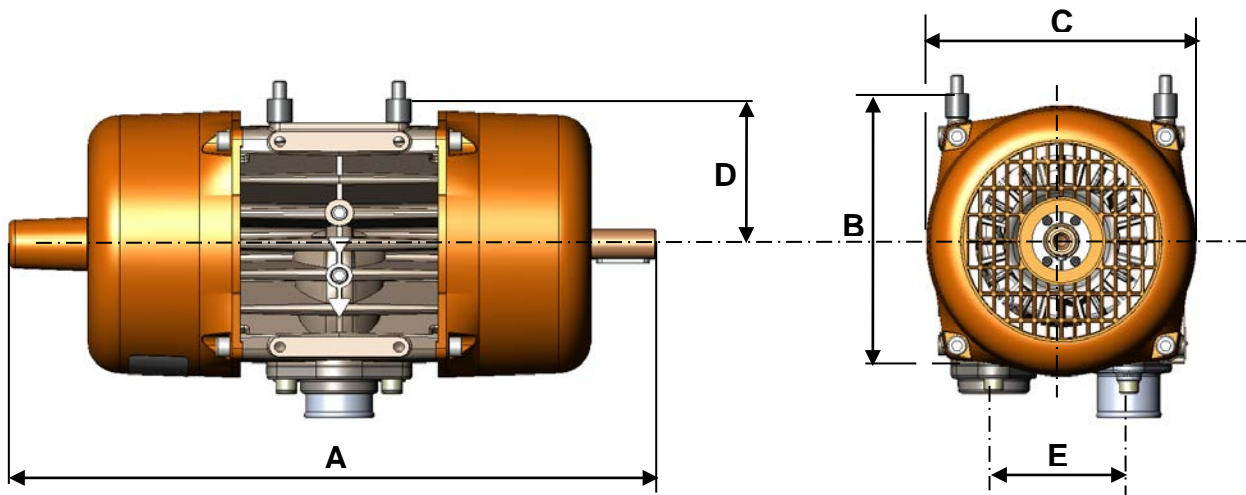


Replaces
E170.00
Effective 18 02 20



### CHARACTERISTICS

	STANDARD	AVAILABLE OPTIONS
<b>Technology</b>	6 carbon vanes	
<b>Maximum flow rate at atmospheric pressure (m3/h) CFM</b>	170 (100)	
<b>Power (KW) and torque (Nm) at 1500 rpm and 2 bar</b>	10.3	98
<b>Power (KW) and torque (Nm) at 1000rpm and 2 bar</b>	6.5	41
<b>Inlet port</b>	Cylindrical nozzle Ø 51	
<b>Outlet port</b>	G 1 ½ BSP	G 1 ½ NPT
<b>Rotation direction</b>	CW or CCW (2 ended shafts)	
<b>Dimensions mm (in.)</b>	<b>A</b>	570 (22.45)
	<b>B</b>	220 (8.66)
	<b>C</b>	220 (8.66)
	<b>D</b>	120 (4.72)
	<b>E</b>	110 (4.33)
<b>Masse kg (lbs)</b>	47 (104)	



Replaces
E170.00
Effective 18 02 20

**OPERATING LIMITS**

	STANDARD MATERIALS
Minimum temperature °C (°F)	-20 (-4)
Maximum temperature °C (°F)	40(104)
Maximum differential pressure bar (psi)	2 (29)
Minimum speed (rpm)	1000
Maximum speed (rpm)	1500

**MATERIALS OF CONSTRUCTION**

Part No	PART NAME	STANDARD MATERIAL	AVAILABLE OPTIONS
1	Casing	Cast iron nickel coated	
2	Shaft rotor	Cast iron nickel coated	
3	Vanes	Carbon	
5	Side plates	Aluminium	
11	Fans	Plastic	
12-13	Covers	Plastic	
	O-rings	FKM	
	Shaft sealing	Lip seals PTFE	

