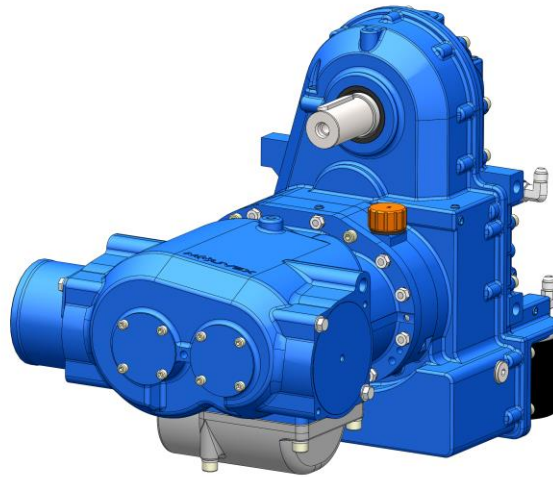
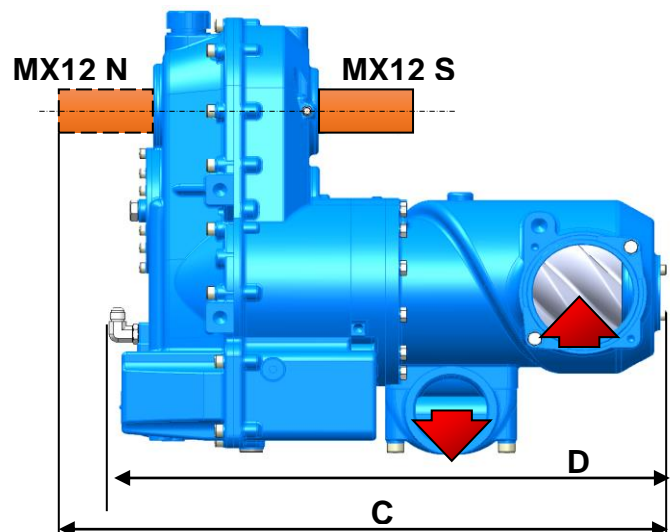
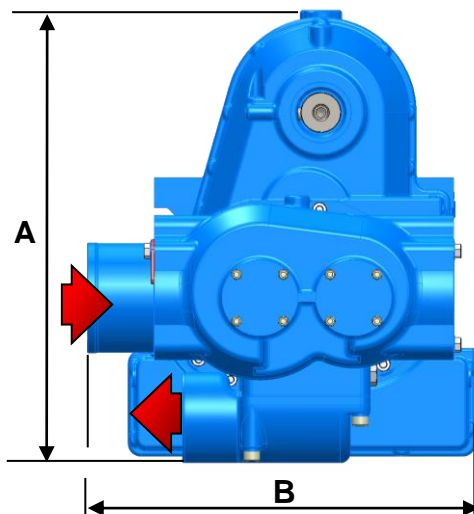


Replaces
MX12
Effective 19 05 13



## CHARATERISTICS

	STANDARD	AVAILABLE OPTIONS
Technology	Oil-free Screws Mouvex®	
Type of lubrication	Splashing and pressurized oil	
Dynamic sealing	Bronze labyrinths	
Oil volume requested (litre)	4.7 with the oil cooler	
Oil quality requested	Mouvex BSC 3	
Maximum flow rate at the atmospheric pressure m3/h (CFM)	1130 (665)	
Suction port mm (in.)	Straight Ø 110 (4.33)	Elbow 90°
Discharge port mm (in.)	Ø 2" ½ BSP	
Speed and rotation direction (rpm) (MX12 S)	15R (1439 rpm Right)	18L / 20R / 24L
Speed and rotation direction (rpm) (MX12 N)	15L (1439 rpm Left)	18R / 20L / 24R
Power (KW) and torque (Nm) at 2.5 bar for 15R	80	538
Dimensions mm (in.)	A	451 (17.76)
	B	346 (13.62)
	C	569 (22.40)
	D	541 (21.30)
Weight dry kg (lbs)	104 (229)	



### OPERATING LIMITS

	STANDARD MATERIALS
Minimum temperature °C (°F)	-30 (-22)
Maximum air suction temperature °C (°F)	45 (113)
Maximum pressure bar (PSI)	2.5 (36)
Maximum vacuum allowed bar (PSI)	0.075 (1.09)
Air inlet filtration required (microns)	5
Speed range allowed (rpm)	1151 à 2400 rpm depending of the model

### MATERIALS OF CONSTRUCTION

N°	PART NAME	STANDARD MATERIAL	AVAILABLE OPTIONS
1	Compressor housing	Cast iron	
2	Pair of screws	Cast iron	
3	Gear plate	Cast iron	
4	Timing gears	Hardened steel	
5	Multiplier	Cast iron	
6	Oil cooler	Aluminium	
	Ports flanges	Aluminium	
	Discharge port gasket	Graphite	
	Shafts sealing	Bronze labyrinths	
	Lubrication	Synthetic oil BSC3	
	Sealing	Sealing paste	

