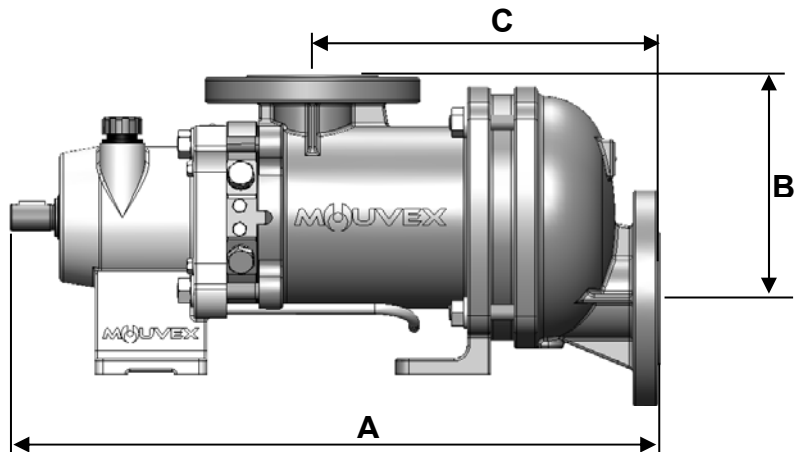
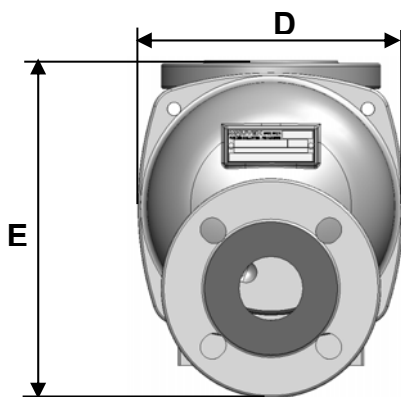


### CHARACTERISTICS

		STANDARD	AVAILABLE OPTIONS
<b>Technology</b>		Eccentric Disc Mouvex®	
<b>Maximum Flow rate at 1 cSt m<sup>3</sup>/h (GPM)</b>		SLC4i : 4.5 (19.81) SLC8i : 8 (35.22)	
<b>Displacement per revolution ( l / gal)</b>		SLC4i : 0.108 (0.029) SLC8i : 0.178 (0.047)	
<b>Inlet chamber volume L (gal.)</b>		1.54 (0.407)	
<b>Outlet chamber volume L (gal.)</b>		1.02 (0.269)	
<b>Connections</b>		DN50 ISOPN16 / 2" ANSI150	
<b>Pump heating</b>		None	Heating jacket
<b>Dimensions mm (in.)</b>	<b>A</b>	SLC4i : 499 (19.646) SLC8i : 516 (20.315)	
	<b>B</b>	171 (6.732)	
	<b>C</b>	SLC4i : 267 (10.512) SLC8i : 284 (11.181)	
	<b>D</b>	200 (7.874)	
	<b>E</b>	253.5 (9.98)	
<b>Weight kg (lbs)</b>		SLC4i : 40.5 (90) SLC8i : 43 (95)	



### OPERATING LIMITS

Minimum temperature °C (°F)	-15 (5)
Maximum temperature °C (°F)	Process: 100 (212) Washing/Rinsing/Sterilisation : 121 (250)
Maximum dynamic in-pump viscosity cP	10000
Maximum differential pressure bar (psi)	<b>SLC4i</b> : 10 (145) <b>SLC8i</b> : 6 (87)
Maximum inlet pressure barg (psig)	Process : 1.5 (21.7) Washing / Rinsing / Sterilisation : 3 (43.5) Pump stopped : 6 (87)
Maximum speed rpm	750
Maximum solid particle size mm (in)	2 (0.079)
Maximum soft particle size mm (in)	6.5 (0.25)

### MATERIALS OF CONSTRUCTION

Part No	PART NAME	STANDARD MATERIALS	AVAILABLE OPTIONS
101	Inlet Tube	316L Stainless Steel	
201	Cylinder	316L Stainless Steel	
301	Disc	CY5SnBiM (anti galling alloy)	
304	Disc screw	316Ti Stainless Steel (Titanium Alloy)	
401	Outlet Cover	316L Stainless Steel	
	Bolts	304L & 316L Stainless Steel	
596	<b>Transmission Assembly</b>		
	Bearings	Roller / Needle	
	Bellows Assembly	316Ti & 316 L Stainless Fabrication	
	Housing	Nickel plated ductile iron	
	Screws	Stainless steel	
	Transmission Lubricant	Synthetic oil	
	Seal Rings	Fluorocarbon (FKM) O-Rings	PTFE Encapsulated O-rings

