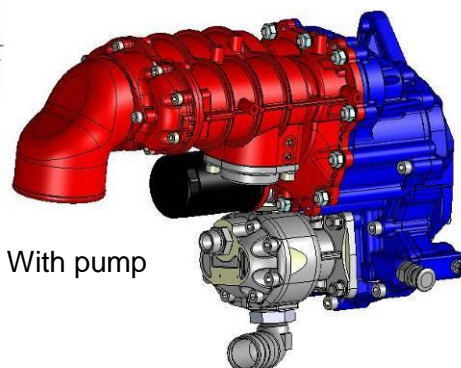


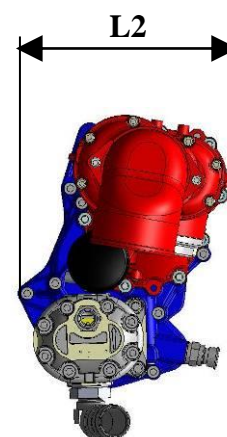
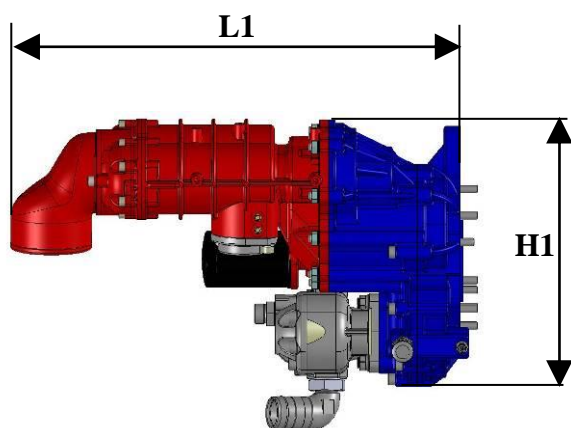
Without pump



With pump

CHARACTERISTICS

	STANDARD	AVAILABLE OPTIONS
Technology	Screws oil free Mouvex®	
Lubrication mode	ZF & MERCEDES: oil shared with the gear box	
	SCANIA & VOLVO: separate oil pan	
Dynamic sealing	Bronze labyrinths	
Oil quality	ZF & MERCEDES: Gear box standard	
	SCANIA & MERCEDES: BSC MH	
Oil cooling	Oil cooler provided	
Maximum flow rate at atmospheric pressure m3/h (CFM)	600 (353)	
Inlet flange mm (in.)	Rotating 90° elbow Ø 108 (4.25)	Straight, fix 90° elbow
Outlet flange	G 2" BSP in S Steel	45° elbow ; 90° elbow in S Steel
Torque limiter	Integrated in the PTO	
Hydraulic pump	ZF & MERCEDES: without	61cc no disengageable
	SCANIA & VOLVO: without	Only for VOLVO, 61cc disengageable
Speed ratio	C	E
Bending moment	100 Nm	115 Nm with pump
Dimensions mm (in.)	L1	605 (23.82)
	L2	280 (11.02)
	H1	358 14.09)
Weight without oil kg (lbs)	46 (101) Without pump	56 (123) With pump

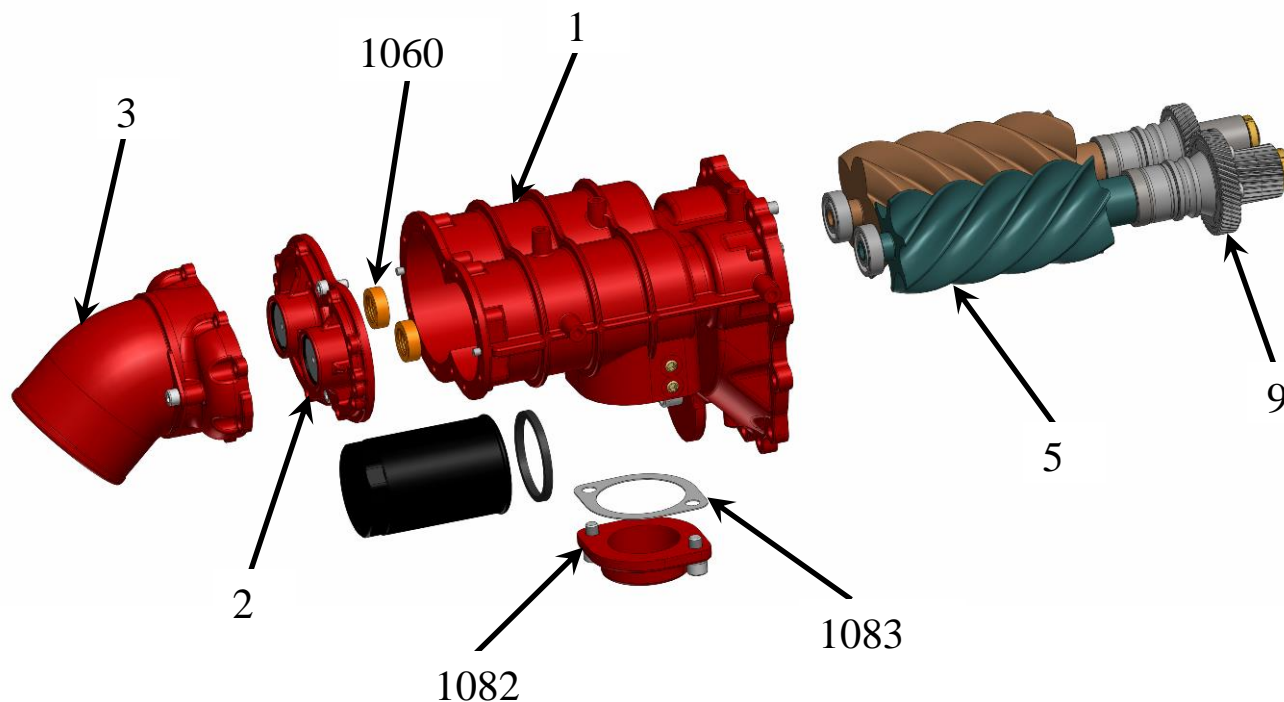


OPERATING LIMITS

	STANDARD MATERIALS
Minimum temperature °C (°F)	-30 (-22)
Maximum air suction temperature °C (°F)	45 (113)
Maximum pressure bar (PSI)	2.5 (36)
Maximum vacuum allowed bar (PSI)	0.075 (1.09)
Air inlet filtration required (microns)	5
Speed range allowed (rpm)	8100 / 13500 (Male screw)

MATERIALS OF CONSTRUCTION

Part N°	PART NAME	STANDARD MATERIALS	AVAILABLE OPTIONS
1	Casing	Cast iron	
2	Bearing box	Coated cast iron	
3	Suction cover	Aluminium	
5	Screws	Ductile iron	
9	Gears	Hardened steel	
1060	Seals	Bronze labyrinths	
1082	Flange	S Steel	
1083	Flange gasket	Graphite	
	Bearing lip seals	Fluorocarbone (FKM)	
	Static seals	Fluorocarbone (FKM)	



www.mhcompressor.com