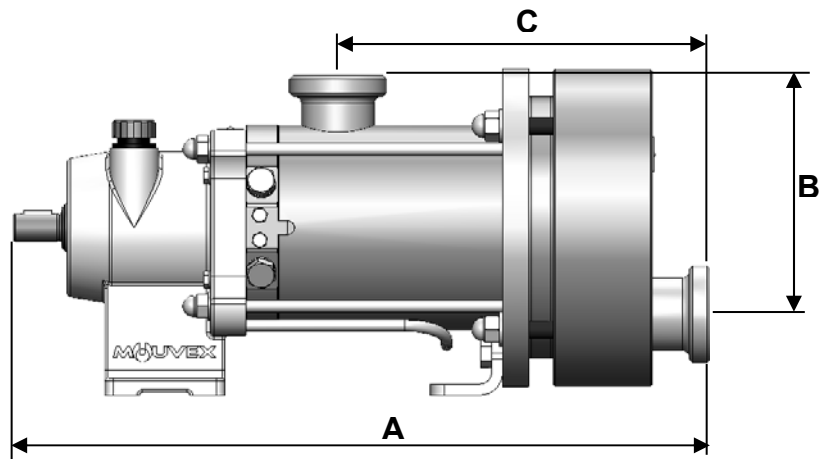
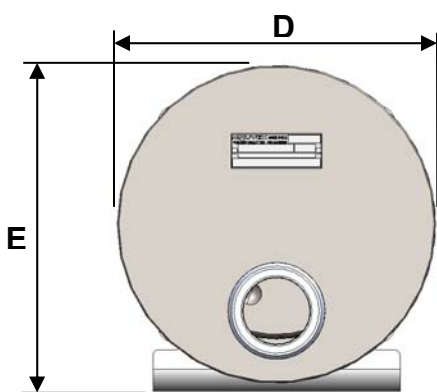


CHARACTERISTICS

		STANDARD	AVAILABLE OPTIONS
Technology		Eccentric Disc Mouvex®	
Maximum Flow rate at 1 cSt m³/h (GPM)		SLS4i : 4.5 (19.81) SLS8i : 8 (35.22)	
Displacement per revolution l (gal)		SLS4i : 0.108 (0.029) SLS8i : 0.178 (0.047)	
Inlet chamber volume L (gal)		1.54 (0.407)	
Outlet chamber volume L (gal)		0.49 (0.129)	
		DN51 (2") SMS1145	DN50 DIN 11851 DN50 DIN 11864 BF-A Aseptik fl. 2" Clamp ASME-BPE
Pump heating		None	Heating jacket
Dimensions mm (in.) (With SMS connections)	A	SLS4i : 499 (19.646) SLS8i : 516 (20.315)	
	B	171 (6.732)	
	C	SLS4i : 267 (10.512) SLS8i : 284 (11.181)	
	D	228 (8.976)	
	E	234 (9.213)	
Weight kg (lbs)		SLS4i : 49.5 (110) SLS8i : 51.5 (114)	



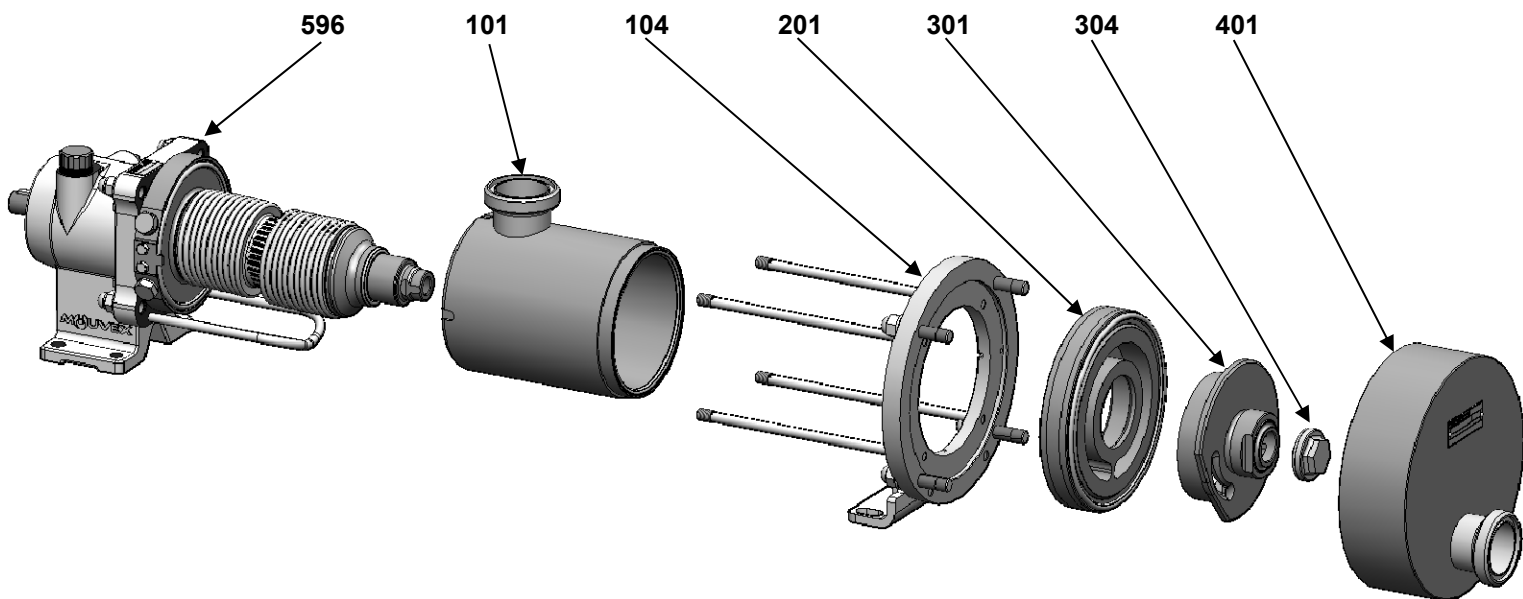
OPERATING LIMITS

Minimum temperature °C (°F)	-15 (5)
Maximum temperature °C (°F)	Process: 100 (212) Washing/Rinsing/Sterilisation: 121 (250)
Maximum dynamic in-pump viscosity cP	10000
Maximum differential pressure bar (psi)	SLS4i : 10 (145) SLS8i : 6 (87)
Maximum inlet pressure barg (psig)	Process : 1.5 (21.7) Washing / Rinsing / Sterilisation : 3 (43.5) Pump stopped : 6 (87)
Maximum speed rpm	750
Maximum solid particle size mm (in)	2 (0.079)
Maximum soft particle size mm (in)	6.5 (0.25)

MATERIALS OF CONSTRUCTION

Part No	PART NAME	STANDARD MATERIALS	AVAILABLE OPTIONS
101	Inlet Tube	316L Stainless Steel	
104	Inlet tube flange	304L Stainless Steel	
201	Cylinder	316L Stainless Steel	
301	Disc	CY5SnBiM (anti galling alloy)	
304	Disc screw	316Ti Stainless Steel (Titanium Alloy)	
401	Outlet Cover	316L Stainless Steel	
	Bolts	304L & 316L Stainless Steel	
	Transmission Assembly		
	Bearings	Roller / Needle	
596	Bellows Assembly	316Ti & 316 L Stainless Fabrication	
	Housing	Nickel plated ductile iron	
	Screws	Stainless steel	
	Transmission Lubricant	Synthetic oil	
	Seal Rings	Fluorocarbon (FKM) O-Rings	PTFE Encapsulated O-rings

Wetted surfaces: Ra 0.8 µm / 32 µin.





Technical Information Sheet

SLS4 i - SLS8 i

TIS SLS4_8i R04 e
Effective 25.06.19
Replaces 18.03.19

Non-contractual document. Mouvex may modify the products described in this document without prior notice.