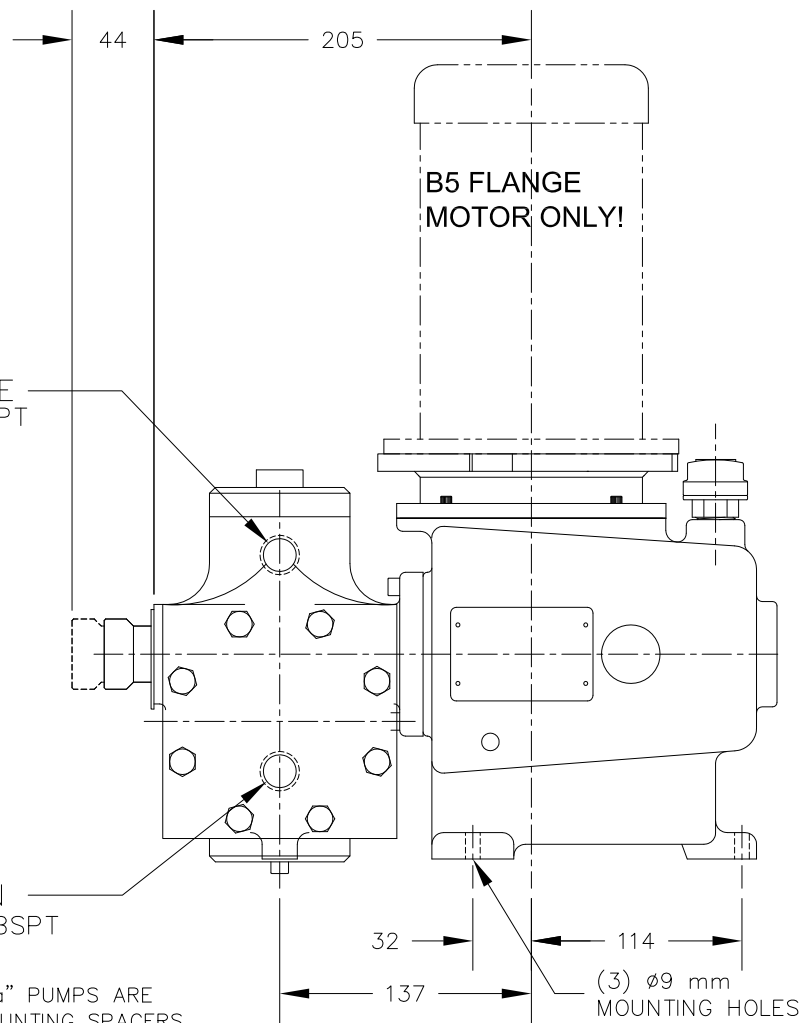


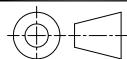


DISCHARGE  
1/2-14 BSPT

SUCTION  
1/2-14 BSPT



NOTE: ALL SERIES 500 PVC HEAD "dia" PUMPS ARE SUPPLIED WITH (3)-25 mm MOUNTING SPACERS TO INSURE ACCESS TO SUCTION VALVES.

<small>THIS DOCUMENT CONTAINS PROPRIETARY INFORMATION OF PSG - A DOVER COMPANY. ITS RECEIPT AND POSSESSION DO NOT CONVEY ANY RIGHTS TO REPRODUCE OR DISCLOSE ITS CONTENTS OR TO MANUFACTURE USE OR SELL ANYTHING IT MAY DESCRIBE. THIS DOCUMENT IS SUBJECT TO RETURN UPON REQUEST. REPRODUCTION, DISCLOSURE OR USE OF THIS DOCUMENT WITHOUT THE WRITTEN AUTHORIZATION OF DOVER CORPORATION IS STRICTLY FORBIDDEN.</small>	<b>DO NOT SCALE DRAWING</b> UNLESS OTHERWISE SPECIFIED DIMENSIONS ARE IN INCHES TOLERANCES ARE: DECIMALS .XX ± .01 .XXX ± .005 ANGLES ± 1/2°		  NEPTUNE PUMPS GRAND TERRACE, CA 92313 USA 909 424-7700 WWW.NEPTUNE1.COM	
	THIRD ANGLE PROJECTION 			TITLE SERIES 500 "dia" DUPLEX PUMP PLASTIC HEAD WITH FALP-D71
DRAWN BY GL	DATE	SIZE C	DRAWING NO. 500-D-N5-METRIC	REV. .
APPROVED BY	DATE	SCALE 1/1	SHEET 1	.