

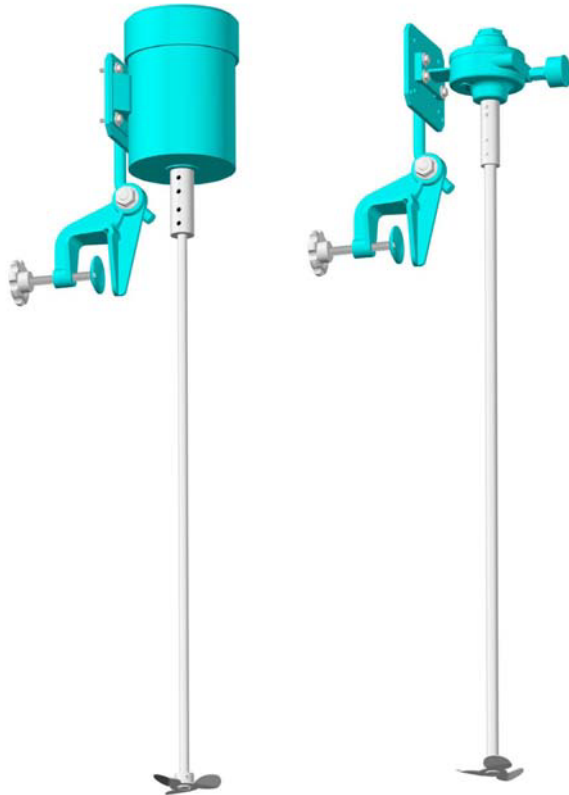


PORTABLE CLAMP MOUNT MIXER Models 6W063/6W064/6W065

**ATTENTION: TO INSURE SAFE AND EASY USE OF YOUR NEPTUNE MIXER,
READ THESE INSTRUCTIONS BEFORE USING.**

Description

Series A & B Mixers are designed for economical mixing of small tanks and open head drums. The mixer can be easily mounted and the shaft angle can be easily adjusted for optimum mixing. The mixer can be conveniently moved from one container to another.



MODEL 6W063/6W064

MODEL 6W065

**WEIGHT---30lbs. (approx.)
WETTED MATERIALS---316SS**

Unpacking

When unpacking the mixer, check carefully for damage that may have occurred during transit. Check for missing parts.

General Safety Information

Warning: These mixers are intended for specific functions. Please follow all instructions to insure safe and proper use.

- (1) Be certain that all mounting hardware and the coupling and propeller set screws are properly tightened prior to operation.
- (2) Clamp securely to rim. Be certain propeller is not touching side or bottom of tank.
- (3) Series A & B Mixers are intended for use on open head drums or small tanks 100 gallons or less. Only the most mild of mixing can be accomplished in larger tanks.
- (4) Perform electrical connections and wiring in accordance with the electrical area requirements and local electrical codes.
- (5) Do not attempt to adjust mixer when mixer is operating, this could result in personal injury or damage to the tank and mixer.
- (6) Always wear required safety equipment including eye protection when observing mixer performance or when adding materials to a tank while the mixer is operating.

Assembly Instructions

Models 6W063/6W064/6W065 Mixers

- (1) Bolt motor to clamp assembly using enclosed hardware.
- (2) Place pivot bolt through clamp body so that head of bolt inserts in recess—attach hex nut.
- (3) Insert mounting plate bar through hole in pivot bolt. Tightening hex nut binds motor mounting plate to main-tam position.
- (4) Attach coupling to motor shaft using setscrews. Note, the end of the coupling with the two setscrews spaced closely together attach to the motor.
- (5) Attach propeller to round end of mixer shaft.
- (6) Insert end of shaft with flat into coupling and tighten setscrews.
- (7) Recheck all hardware for proper tightening.
- (8) Attach to tank using handwheel on clamp.



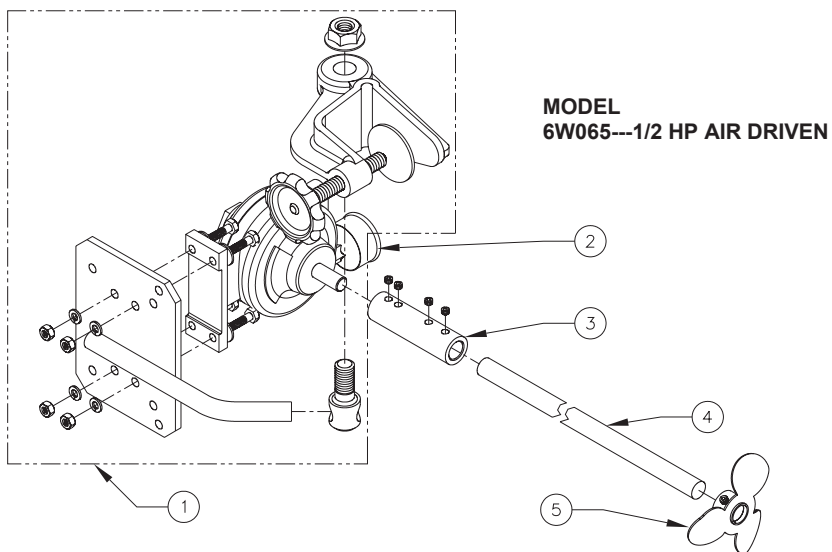
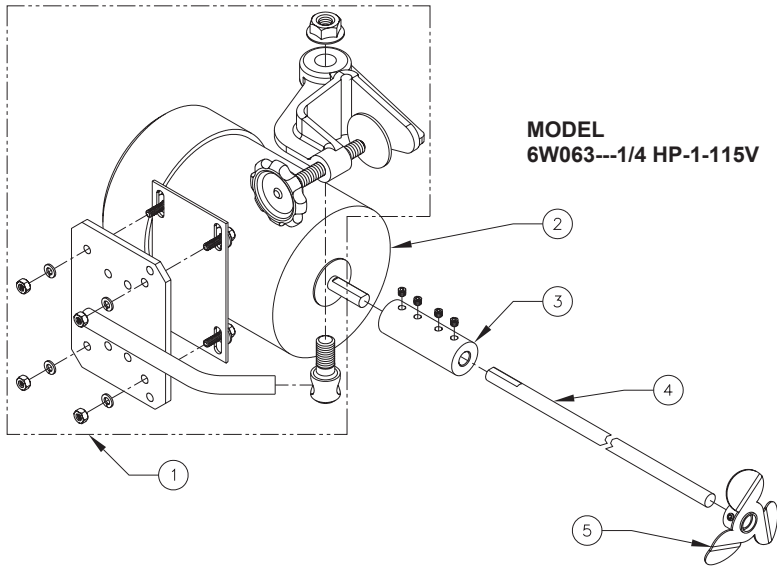
PSG
22069 Van Buren Street
Grand Terrace, CA 92313 USA

P: +1 (215) 699-8700 F: +1 (215) 699-0370
neptune1.com

Copyright 2018 PSG®, a Dover Company



psgdover.com



ITEM NO.	DESCRIPTION	MIXER MODELS		
		6W063 PART NUMBER	6W064 PART NUMBER	6W065 PART NUMBER
1	CLAMP ASSEMBLY	002398	002398	002398
2	MOTOR	100653	100676	100780
3	COUPLING (WITH SET SCREWS)	002518	002520	002522
4	SHAFT 1/2" DIA. X 32" LG.	000507	000563	
	SHAFT 5/8" DIA. X 35" LG.			000551
5	PROPELLER (WITH SET SCREW)	000514	000539	000539



PSG
22069 Van Buren Street
Grand Terrace, CA 92313 USA
P: +1 (215) 699-8700 F: +1 (215) 699-0370
neptune1.com

Copyright 2018 PSG®, a Dover Company





EC Declarations for Portable Mixers

Manufacturer:

PSG California
22069 Van Buren Street
Grand Terrace, CA 92313 USA

Director of Engineering: Chris Distaso

Signature:

Representative authorized to compile technical files in the European Community:

ALMATEC Maschinenbau GmbH
Carl-Friedrich-Gauß-Straße 5
D - 47475 Kamp-Lintfort Germany

General Manager: Rainer Wulf

Signature:

Product: Neptune Portable Mixer Models: B, BC, BF, C, D, DT, E, F, H,HH, HAJ, HGS, HGL, JD, JG, JGR, JGF, L, RAB, RGT, PAM, PEM, PM Series Mixers
Date: 05/22/2019
Serial Number: As Applicable

DECLARATION OF INCORPORATION *(Valid for mixers supplied without a motor)*

Neptune declares that the products listed above comply with the essential health and safety requirements relevant to the specific product as follows: All Neptune products listed above conform to the Machinery Directive 2006/42/EC: Part 1 of Annex I and comply with the relevant requirements of EN ISO 12100 Safety of Machinery - General Principles for Design - Risk Assessment and Risk Reduction.

This subassembly is incomplete and must not be put into service until the machinery into which it is to be incorporated has been declared in conformity with the provisions of Directive 2006/42/EC ("The Machinery Directive") and any other applicable Directives.

DECLARATION OF CONFORMITY *(Valid for mixers supplied with a motor)*

Neptune declares that the products listed above comply with the essential health and safety requirements relevant to the specific product as follows: All Neptune products listed above conform to the Machinery Directive 2006/42/EC: Part 1 of Annex I and comply with the relevant requirements of EN ISO 12100 Safety of Machinery - General Principles for Design - Risk Assessment and Risk Reduction, and DIN EN ISO 4871 - Declaration and Verification of Noise Emission Values of Machinery and Equipment. The supplied motor conforms to the 2014/35/EU - The Low Voltage Directive (*compliance exists from the motor manufacturer*).

This product **may not be used** in an explosive environment.