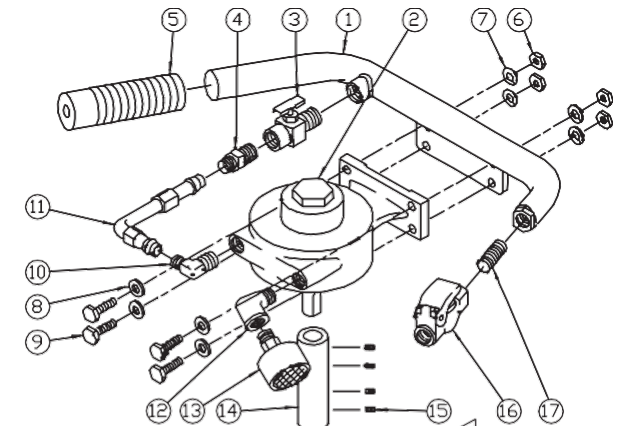




# HANDLE BAR MIXER ASSEMBLY INSTRUCTIONS AND PARTS LIST

## HAND VALVE REGULATOR OPTION ARRANGEMENT (MODEL HAF-3.2 SHOWN BELOW)



ITEM	PART NO.	QTY.	DESCRIPTION
1	002995	1	Handle Bar Weldment
2	106456	1	Air Motor 4AM
3	106459	1	Air Valve
4	102911	1	1/4" Tube x 1/4 NPT, Connector
5	106443	1	Handle Grip
6	100448	4	1/4-20 Hex Nut
7	100169	4	1/4" Lock Washer
8	108427	4	1/4" Flat Washer
9	100159	4	1/4-20 x 1" lg. Hex Head Bolt
10	102917	1	1/4" Tube x 1/4 NPT, Elbow
11	002994	1	Air Supply Tube 3.0
12	101755	1	1/4" Street Elbow
13		1	Muffler (Included with Motor)
14	002522	1	Coupling
15	106183	4	1/4-20 x 3/16" lg. Set Screw (Included with Coupling)
16	106482	1	Hand Valve (Optional)
17	101373	1	3/8 NPT Close Nipple (Optional)
18	004030	1	Folding Propeller Shaft Assembly



**HAND VALVE REGULATOR OPTION (SEE OTHER SIDE)**



**ATTENTION:**  
TO INSURE SAFE AND EASY USE OF YOUR MIXER,  
READ THESE INSTRUCTIONS BEFORE USING.

**Unpacking**

When unpacking the mixer, check carefully for damage that may have occurred during transit. Check for missing parts.

**General Safety Information**

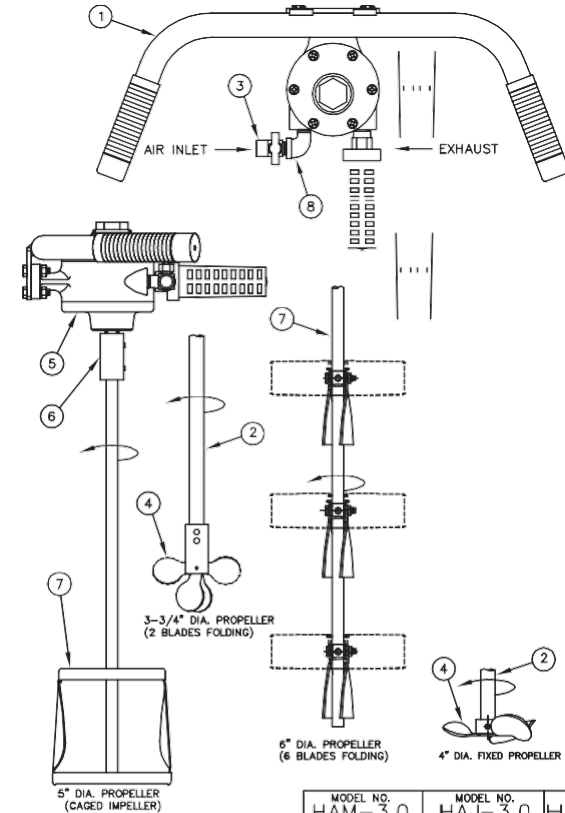
Warning: These mixers are intended for specific functions. Please follow all instructions to insure safe and proper use.

- Attach an air line to the Mixer.  
100 p.s.i. maximum pressure.  
Lubricate air motor with AD220 oil.
- Hold the Mixer firmly. Secure the container in which mixing will be done.
- Fully immerse the Mixer in material to be mixed, before turning the Mixer on. Keep the Mixer fully immersed while in motion.
- Move the Mixer slowly around and UP and DOWN in the material until contents are thoroughly mixed into a smooth, uniform consistency.
- Clean the Mixer after each use. Simply immerse in solvent or water and run until clean.
- Never run the Mixer outside of the mixing or cleaning container.

**DO NOT EXCEED RPM AS LISTED!**

HAIJ-3.0--up to 800 rpm  
HAIJ-3.1--up to 450 rpm

MODEL NO.	MODEL NO.	MODEL NO.	MODEL NO.	MODEL NO.	MODEL NO.
HAM-3.0	HAIJ-3.0	HAIJ-3.1	HAF-3.0	HAF-3.1	HAF-3.2
5/8" DIA. X 24" LG. SHAFT	1/2" DIA. X 21" LG. SHAFT	1/2" DIA. X 40" LG. SHAFT	5/8" DIA. X 20" LG. SHAFT	5/8" DIA. X 42" LG. SHAFT	5/8" DIA. X 42" LG. SHAFT
4" DIA. FIXED PROP.	5" DIA. PROPELLER	5" DIA. PROPELLER	3-3/4" DIA. PROP.	3-3/4" DIA. PROP.	6 BLADE FLDG. PROP



ITEM	DESCRIPTION	PART NO.	PART NO.	PART NO.	PART NO.	PART NO.	PART NO.
1	HANDLE BAR ASSEMBLY	004032	004032	004032	004032	004032	002995
2	SHAFT	002958	-	-	002957	003165	-
3	1/4 NPT VALVE	106459	106459	106459	106459	106459	106459
4	PROPELLER	000539	-	-	000566	000566	-
5	AIR MOTOR	106456	106456	106456	106456	106456	106456
6	SHAFT COUPLING W/SET SCREWS	002522	004022	004022	002522	002522	002522
7	SHAFT/PROPELLER	-	107398	107399	-	-	004030
8	1/4 NPT STREET ELBOW	103165	103165	103165	103165	103165	103165
9	HAND VALVE REGULATOR OPTION	004646	004646	004646	004646	004646	106482

PSG  
22069 Van Buren Street  
Grand Terrace, CA 92313 USA

P: +1 (215) 699-8700 F: +1 (215) 699-0370  
neptune1.com

