

Accu-Flo™ Series

Electronic Control Pumps



WILDEN®

Where Innovation Flows

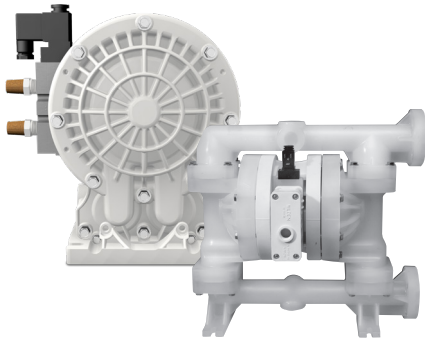


Wilden® Accu-Flo™ Series Electronic Control Pumps

Wilden® Accu-Flo™ Series Electronic Control Air-Operated Double-Diaphragm (AODD) Pumps give you the critical external pump control necessary for dosing and batching applications. Featuring a direct electrical interface that utilizes electrical impulses to stroke the pump instead of differential pressure, the Accu-Flo provides a variable stroke rate that you can easily control. To meet your applications, it is available as NEMA 5, NEMA 7, or ATEX- compliant, and comes in a variety of voltage options.



DOSING SOLUTIONS



FEATURES AND BENEFITS

- Integrated electronic (solenoid) control
- Multiple signal input voltage options: 24V DC, 24V AC, 12V DC and 110V AC
- Proven, robust bolted- or clamped-construction options



*ATEX rating only for certain models.



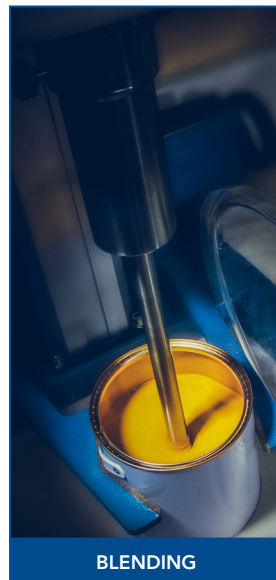
CHEMICAL DOSING



ADAPTIVE DOSING



BATCHING PROCESSES



BLENDED



SYSTEMS AND SKIDS

Accu-Flo™ Series Electronic Control Pumps

HOW IT WORKS

The Accu-Flo Air Distribution System (ADS) employs a two-position, four-way solenoid valve that has a single operator and spring return. The valve is internally air-piloted for longer coil and operator life. This allows the air pressure to fill air chambers and displace the diaphragms, but electrical impulses dictate the stroke rate. When the solenoid is powered by electricity, the air pressure is routed to the top of the air valve piston, which overcomes the tension of the spring and forces the piston down.

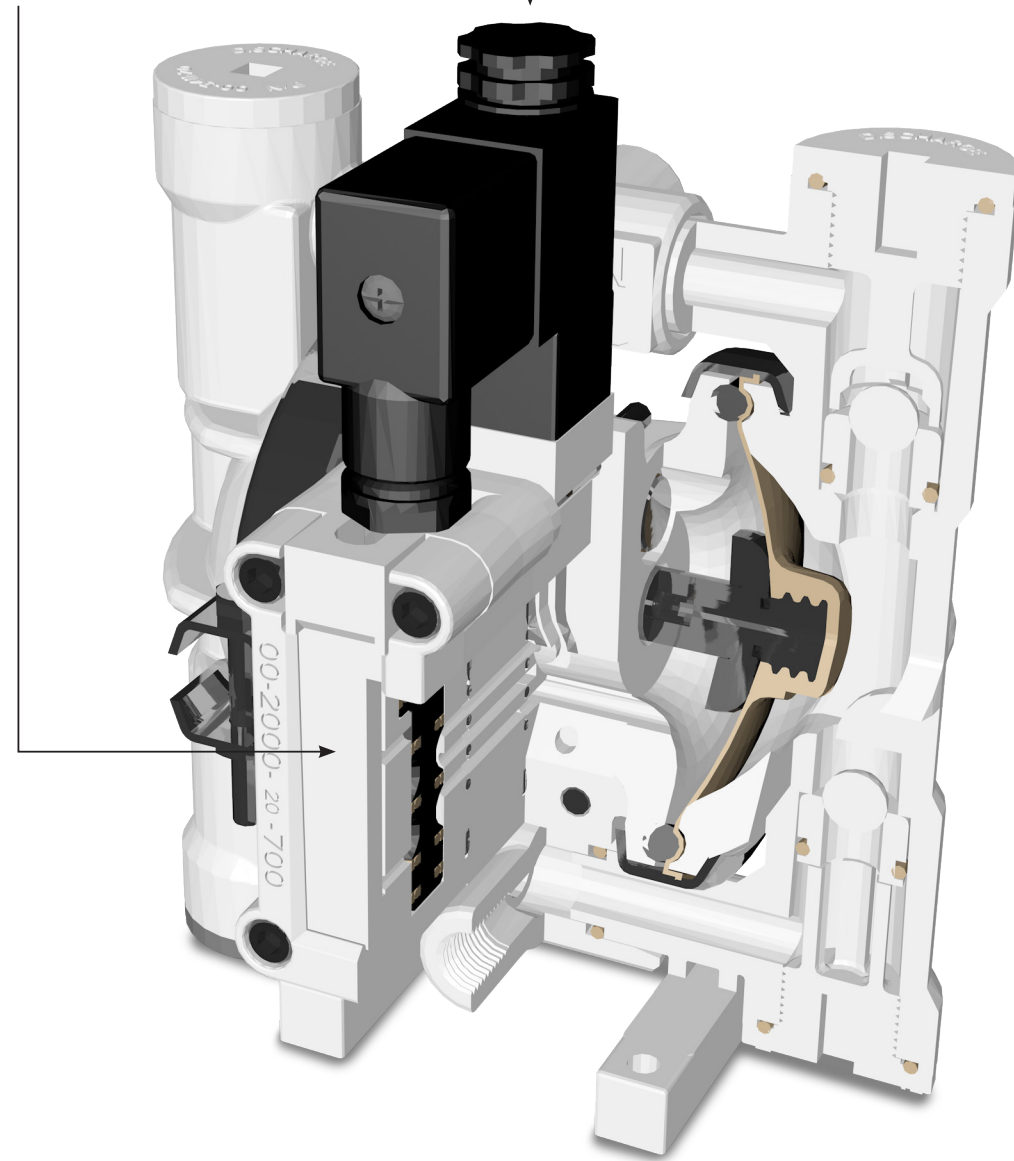
By alternately applying and removing electrical power, the Accu-Flo Series pump reciprocates back and forth in a fashion similar to standard air-operated pumps.

ACCU-FLO™

Precisely controls the stroke rate of the pump and more accurately controls the flow rate for dosing applications.

ACCU-FLO AIR DISTRIBUTION SYSTEM

Uses a two-position, four-way solenoid valve that allows the pump to alternate between air and electricity.

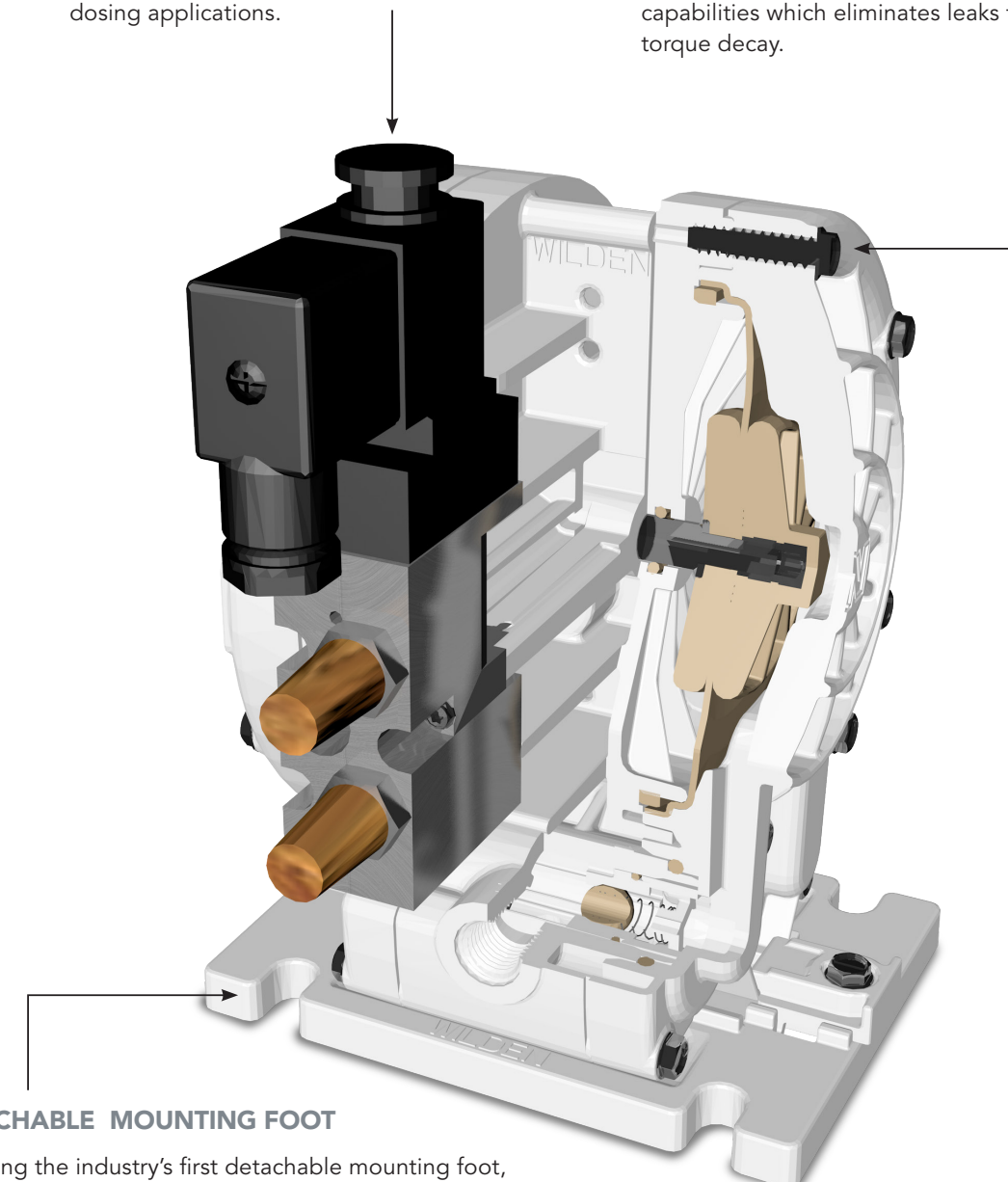


ACCU-FLO™

Precisely controls the stroke rate of the pump and more accurately control the flow rate for dosing applications.

BORE SEAL

The bore-seal design relies on a fastener force that is perpendicular to the seal to optimize the sealing capabilities which eliminates leaks that result from torque decay.

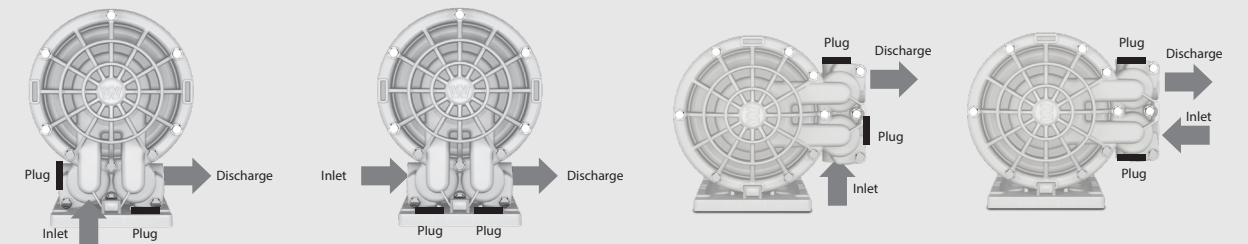


DETACHABLE MOUNTING FOOT



Featuring the industry's first detachable mounting foot, the Velocity Series offers adaptable mounting capabilities. Additionally, the Velocity footprint is interchangeable with previous Wilden designs (P.025, P25 and P1, P100).

ADAPTABLE MOUNTING CAPABILITIES

The Velocity Series can easily be reorientated into a vertical or horizontal position with multiple inlet and discharge port options. With this feature, it has been designed with skids and systems in mind to fit perfectly into restricted spaces.



Accu-Flo™ Series TECHNICAL SPECIFICATIONS

Model	Material of Construction	Air Inlet	Liquid Inlet (Top)	Liquid Discharge (Bottom)	Connection Type	Max. Flow Rate	Max. Inlet Pressure	Max. Size Solids	Max. Suction Lift	Max. Displacement Per Stroke*	Certifications
A.025	Metal	1/8" FNPT	6 mm (1/4")	6 mm (1/4")	NPT/BSPT (Threaded)	15.5 lpm (4.1 gpm)	8.6 bar (125 psig)	0.4 mm (1/64")	4.5 m (15') Dry 9.3 m (31') Wet	0.02 L (0.005 gal)	CE 
A.025	Plastic	1/8" FNPT	6 mm (1/4")	6 mm (1/4")	NPT/BSPT (Threaded)	12.1 lpm (3.2 gpm)	8.6 bar (125 psig)	0.4 mm (1/64")	4.1 m (14') Dry 9.3 m (31') Wet	0.02 L (0.005 gal)	CE
A1	Metal	1/4" FNPT	13 mm (1/2")	13 mm (1/2")	NPT/BSPT (Threaded)	42 lpm (11 gpm)	8.6 bar (125 psig)	1.6 mm (1/16")	6.6 m (22') Dry 9.7 m (32') Wet	0.12 L (0.031 gal)	CE 
A1	Plastic	1/4" FNPT	13 mm (1/2")	13 mm (1/2")	NPT/BSPT (Threaded)	39 lpm (10 gpm)	8.6 bar (125 psig)	1.6 mm (1/16")	6.1 m (20') Dry 8.9 m (29') Wet	0.12 L (0.031 gal)	CE
A100	Plastic	1/4" FNPT	13 mm (1/2")	13 mm (1/2")	NPT/BSPT (Threaded)	42 lpm (11 gpm)	8.6 bar (125 psig)	1.6 mm (1/16")	6.6 m (22') Dry 9.0 m (30') Wet	0.11 L (0.03 gal)	CE
A150V	Plastic	1/2" FNPT	13 mm (1/2")	13 mm (1/2")	FNPT (Threaded)	39 lpm (11 gpm)	6.9 bar (100 psig)	1.6 mm (1/16")	5.1 m (17') Dry 7.6 m (26') Wet	0.11 L (0.03 gal)	CE
A2	Plastic	1/4" FNPT	25 mm (1")	25 mm (1")	DIN/ANSI (Flanged)	136 lpm (36 gpm)	8.6 bar (125 psig)	3.2 mm (1/8")	6.2 m (20') Dry 9.0 m (30') Wet	0.12 L (0.031 gal)	CE
A2	Metal	1/4" FNPT	25 mm (1")	25 mm (1")	NPT/BSPT (Threaded)	129 lpm (34 gpm)	8.6 bar (125 psig)	3.2 mm (1/8")	7.43 m (24') Dry 9.7 m (32') Wet	0.35 L (0.092 gal)	CE
A200	Plastic	1/4" FNPT	25 mm (1")	25 mm (1")	DIN/ANSI (Flanged)	170 lpm (45 gpm)	8.6 bar (125 psig)	4.8 mm (3/16")	4.8 m (16') Dry 9.3 m (31') Wet	0.34 L (0.09 gal)	CE
A2550V	Plastic	1/4" FNPT	6 mm (1/4")	6 mm (1/4")	FNPT (Threaded)	15 lpm (4 gpm)	6.9 bar (100 psig)	0.8 mm (1/32")	4.3 m (14') Dry 6.2 m (20') Wet	0.04 L (0.01 gal)	CE

*1 cycle = 2 strokes. For more information, please visit wildenpump.com

WILDEN®

PSG
22069 Van Buren Street
Grand Terrace
CA, 92313-5651
USA
P: +1 (909) 422-1730
F: +1 (909) 783-3440
wildenpump.com



Where Innovation Flows

WIL-19151-C-02

Copyright 2021 PSG®, a Dover company

Authorized PSG® Partner: