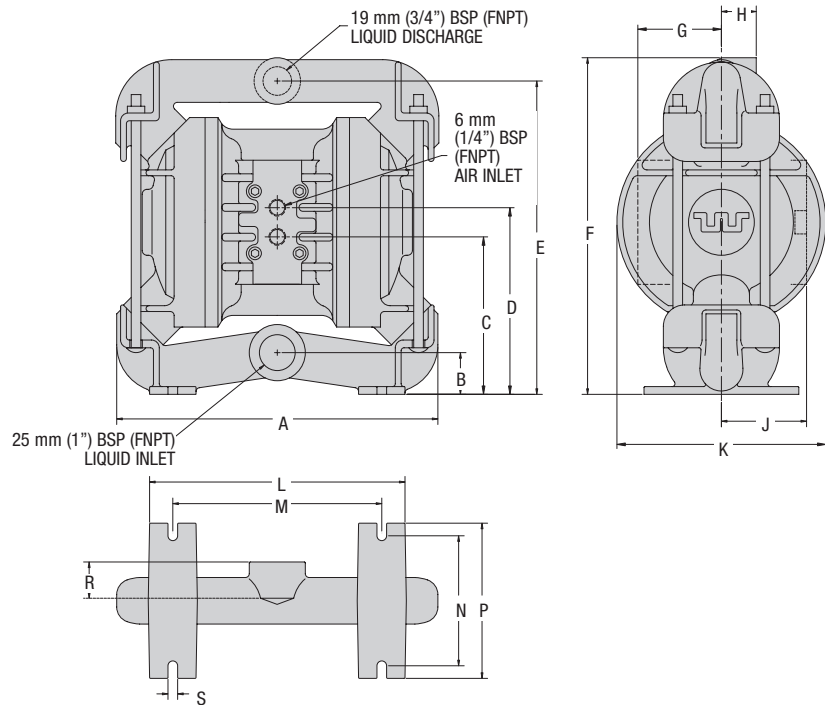


# DIMENSIONAL DRAWING

## A2B METAL (T-SERIES CENTER SECTION)



### DIMENSIONS

ITEM	METRIC (mm)	STANDARD (inch)
A	267	10.5
B	36	1.4
C	130	5.1
D	152	6.0
E	254	10.0
F	279	11.0
G	69	2.7
H	28	1.1
J	76	3.0
K	173	6.8
L	211	8.3
M	173	6.8
N	107	4.2
P	127	5.0
R	33	1.3
S	8	0.3