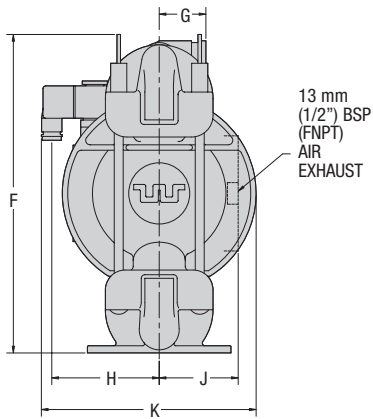
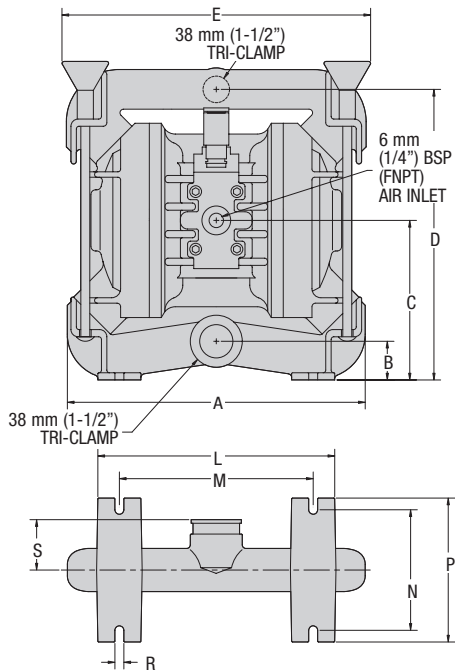


DIMENSIONAL DRAWING

A2T METAL SANIFLO^{FDA} ACCU-FLO™



DIMENSIONS

| ITEM | METRIC (mm) | STANDARD (inch) |
|------|-------------|-----------------|
| A | 267 | 10.5 |
| B | 36 | 1.4 |
| C | 137 | 5.4 |
| D | 254 | 10.0 |
| E | 267 | 10.5 |
| F | 295 | 11.6 |
| G | 41 | 1.6 |
| H | 97 | 3.8 |
| J | 76 | 3.0 |
| K | 191 | 7.5 |
| L | 211 | 8.3 |
| M | 173 | 6.8 |
| N | 107 | 4.2 |
| P | 127 | 5.0 |
| R | 8 | 0.3 |
| S | 43 | 1.7 |