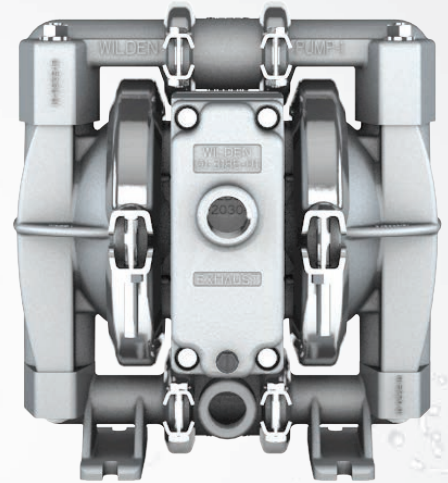


# WILDEN®

**EOM**  
Engineering  
Operation &  
Maintenance

**PS1**  
Metal Pump



Where Innovation Flows

[wildenpump.com](http://wildenpump.com)



**TABLE OF CONTENTS**

**SECTION 1 CAUTIONS—READ FIRST! .....1**

**SECTION 2 WILDEN PUMP DESIGNATION SYSTEM .....2**

**SECTION 3 HOW IT WORKS—PUMP & AIR DISTRIBUTION SYSTEM .....3**

**SECTION 4 DIMENSIONAL DRAWINGS .....4**

**SECTION 5 PERFORMANCE**

    PS1 Rubber-Fitted .....5

    PS1 TPE-Fitted .....5

    PS1 PTFE-Fitted .....6

    Suction-Lift Curves .....7

**SECTION 6 SUGGESTED INSTALLATION, OPERATION & TROUBLESHOOTING .....8**

**SECTION 7 DISASSEMBLY / REASSEMBLY .....11**

    Air Valve / Center Section Disassembly .....14

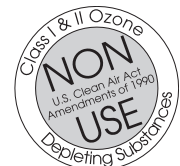
    Reassembly Hints & Tips .....17

**SECTION 8 EXPLODED VIEW & PARTS LISTING**


    PS1 Metal .....18


    PS1 Metal Saniflo™ 1935/2004/EC .....20


**SECTION 9 ELASTOMER OPTIONS .....22**



**CAUTIONS—READ FIRST!**

 **CAUTION:** Do not apply compressed air to the exhaust port — pump will not function.


 **CAUTION:** Do not over-lubricate air supply — excess lubrication will reduce pump performance. Pump is pre-lubed.


 **TEMPERATURE LIMITS:**


Acetal	-29°C to 82°C	-20°F to 180°F
Buna-N	-12°C to 82°C	10°F to 180°F
Geolast®	-40°C to 82°C	-40°F to 180°F
Neoprene	-18°C to 93°C	0°F to 200°F
Nordel® EPDM	-51°C to 138°C	-60°F to 280°F
Nylon	-18°C to 93°C	0°F to 200°F
PFA	-7°C to 107°C	45°F to 225°F
Polypropylene	0°C to 79°C	32°F to 175°F
Polyurethane	-12°C to 66°C	10°F to 150°F
PVDF	-12°C to 107°C	10°F to 225°F
Saniflex™	-29°C to 104°C	-20°F to 220°F
SIPD PTFE with EPDM-backed	4°C to 137°C	40°F to 280°F
SIPD PTFE with Neoprene-backed	4°C to 93°C	40°F to 200°F
PTFE <sup>1</sup>	4°C to 104°C	40°F to 220°F
FKM	-40°C to 177°C	-40°F to 350°F
Wil-Flex™	-40°C to 107°C	-40°F to 225°F


<sup>1</sup>4°C to 149°C (40°F to 300°F) - 13 mm (1/2") and 25 mm (1") models only.


**NOTE:** Not all materials are available for all models. Refer to Section 2 for material options for your pump.


 **CAUTION:** When choosing pump materials, be sure to check the temperature limits for all wetted components. Example: FKM has a maximum limit of 177°C (350°F) but polypropylene has a maximum limit of only 79°C (175°F).


 **CAUTION:** Maximum temperature limits are based upon mechanical stress only. Certain chemicals will significantly reduce maximum safe operating temperatures. Consult the Chemical Resistance Guide for chemical compatibility and temperature limits.


 **WARNING:** Prevent sparking — If static sparking occurs, fire or explosion could result. Pump, valves and containers must be grounded to a proper grounding point when handling flammable fluids and whenever discharge of static electricity is a hazard.


 **CAUTION:** Do not exceed 8.6 bar (125 psig) air supply pressure.


 **CAUTION:** The process fluid and cleaning fluids must be chemically compatible with all wetted pump components.


 **CAUTION:** Do not exceed 82°C (180°F) air inlet temperature for Pro-Flo® SHIFT models.


 **CAUTION:** Pumps should be thoroughly flushed before installing into process lines. FDA- and USDA-approved pumps should be cleaned and/or sanitized before being used.


 **CAUTION:** Always wear safety glasses when operating pump. If diaphragm rupture occurs, material being pumped may be forced out air exhaust.


 **CAUTION:** Before any maintenance or repair is attempted, the compressed air line to the pump should be disconnected and all air pressure allowed to bleed from pump. Disconnect all intake, discharge and air lines. Drain the pump by turning it upside down and allowing any fluid to flow into a suitable container.


 **CAUTION:** Blow out air line for 10 to 20 seconds before attaching to pump to make sure all pipeline debris is clear. Use an in-line air filter. A 5µ (micron) air filter is recommended.


 **NOTE:** When installing PTFE diaphragms, it is important to tighten outer pistons simultaneously (turning in opposite directions) to ensure tight fit. (See torque specifications in Section 7.)


 **NOTE:** Some PTFE-fitted pumps come standard from the factory with expanded PTFE gaskets installed in the diaphragm bead of the liquid chamber. PTFE gaskets cannot be re-used.

 **NOTE:** Before starting disassembly, mark a line from each liquid chamber to its corresponding air chamber. This line will assist in proper alignment during reassembly.

 **CAUTION:** Pro-Flo® pumps cannot be used in submersible applications. Pro-Flo® SHIFT pumps do have a single-point exhaust option for submersible applications. Do not use standard Pro-Flo® SHIFT models in submersible applications.

 **CAUTION:** Tighten all hardware prior to installation.

 **CAUTION:** For UL-listed pumps, all pipe connections are to be made using UL classified gasoline-resistant pipe compound.

 **CAUTION:** For UL-listed pumps, all installations must conform to NFPA 30, NFPA 30A and other applicable codes.



**WILDEN PUMP DESIGNATION SYSTEM**

**PS1 METAL**

**13 mm (1/2") Pump  
Maximum Flow Rate:  
60.2 lpm (15.9 gpm)**

**LEGEND**

**XPS1 / XXXXX / XXX / XX / XXX / XXXX**

MODEL

WETTED PARTS & OUTER PISTON

CENTER BLOCK

CENTER BLOCK

AIR VALVE

DIAPHRAGMS

VALVE BALLS

VALVE SEATS

O-RINGS

SPECIALTY CODE

(if applicable)

**MATERIAL CODES**

**MODEL**

PS1 = PRO-FLO® SHIFT  
XPS1 = PRO-FLO® SHIFT ATEX

**WETTED PARTS/OUTER PISTON**

AA = ALUMINUM / ALUMINUM  
AZ = ALUMINUM / NO OUTER PISTON  
HH = ALLOY C / ALLOY C  
HZ = ALLOY C / NO OUTER PISTON  
SS = STAINLESS STEEL / STAINLESS STEEL  
SZ = STAINLESS STEEL / NO OUTER PISTON

**CENTER BLOCK**

AA = ALUMINUM

**AIR VALVE**

A = ALUMINUM

**DIAPHRAGMS**

BNS = BUNA-N (Red Dot)  
EPS = EPDM (Blue Dot)  
FBS = SANITARY BUNA<sup>1,3</sup> (Two Yellow Dots)  
FSS = SANIFLEX™ [Hytrel® (Cream)]<sup>1,3</sup>  
PUS = POLYURETHANE (Clear)  
TEU = PTFE w/EPDM BACKUP (White)<sup>1,2,3</sup>  
THU = PTFE W/HIGH-TEMP BUNA-N BACK-UP (White)  
TNL = PTFE W/NEOPRENE BACKUP O-RING, IPD (White)  
TNU = PTFE W/NEOPRENE BACKUP (White)  
TSU = PTFE W/SANIFLEX™ BACKUP (White)<sup>1,2,3</sup>  
TVU = PTFE W/FKM BACKUP VTS FKM (White Dot)  
WFS = WIL-FLEX™ [Santoprene® (Three Black Dots)]  
XBS = CONDUCTIVE BUNA-N (Two Red Dots)

**VALVE BALLS**

BN = BUNA-N (Red Dot)  
EP = EPDM (Blue Dot)  
FS = SANIFLEX™ [Hytrel® (Cream)]<sup>1,3</sup>  
PU = POLYURETHANE (Brown)  
TF = PTFE (White)<sup>1,2,3</sup>  
VT = FKM (Silver or White Dot)  
WF = WIL-FLEX™ [Santoprene® (Three Black Dots)]

**VALVE SEATS**

A = ALUMINUM  
H = ALLOY C  
S = STAINLESS STEEL

**VALVE SEAT O-RINGS**

BN = BUNA-N  
EP = EPDM  
FS = SANIFLEX™ [Hytrel® (Cream)]<sup>1,3</sup>  
PU = POLYURETHANE (Brown)  
TF = PTFE (White)<sup>1,2,3</sup>  
WF = WIL-FLEX™ (Santoprene®)

**NOTES:**

- <sup>1</sup> Meets Requirements of FDA CFR21.177
- <sup>2</sup> Meets Requirements of USP Class VI
- <sup>3</sup> Meets Requirements of 1935/2004/EC

**SPECIALTY CODES**

- |                                    |                                 |  |
|------------------------------------|---------------------------------|--|
| 0014 BSPT threading                | 0100 Wil-Gard 110V              | 0502 PFA-coated hardware                       |
| 0023 Wing nuts                     | 0102 Wil-Gard sensor wires ONLY | 0603 PFA-coated hardware, Wil-Gard 110V        |
| 0067 Saniflo™ FDA, Wil-Gard 220V   | 0103 Wil-Gard 220V              | 0067E Saniflo™ FDA, Wil-Gard 220V 1935/2004/EC |
| 0070 Saniflo™ FDA                  | 0319 Single-point exhaust, BSPT | 0070E Saniflo™ FDA 1935/2004/EC                |
| 0079 Tri-clamp fittings, wing nuts | 0320 Single-point exhaust       | 0120E Saniflo™ FDA, Wil-Gard 110V 1935/2004/EC |
| 0080 Tri-clamp fittings ONLY       | 0495 UL-approved                |  |

**NOTE:** Most elastomeric materials use colored dots for identification.

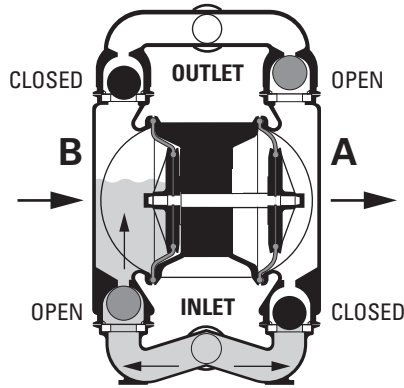
**NOTE:** Not all models are available with all material options.

**NOTE:** The Wilden UL 79-listed products covered by this manual are PS1 models with the following designation: AA, followed by AA, followed by A, followed by BNS, followed by BN, followed by A or S, followed by BN, followed by 0495. Wilden UL-Listed pumps have been evaluated for use at a 25°C (77°F) ambient temperature with a maximum inlet pressure of 3.4 bar (50 psig).

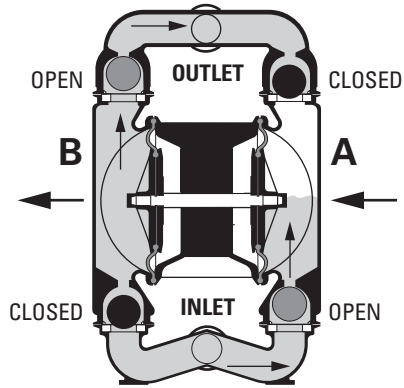


HOW IT WORKS—PUMP

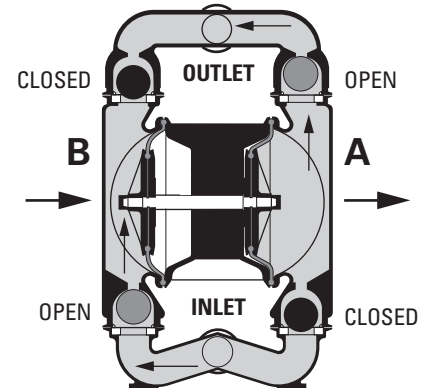
The Wilden diaphragm pump is an air-operated, positive displacement, self-priming pump. These drawings show flow pattern through the pump upon its initial stroke. It is assumed the pump has no fluid in it prior to its initial stroke.



**FIGURE 1** The air valve directs pressurized air to the back side of diaphragm A. The compressed air is applied directly to the liquid column separated by elastomeric diaphragms. The diaphragm acts as a separation membrane between the compressed air and liquid; a balanced load removes mechanical stress from the diaphragm. The compressed air moves the diaphragm away from the center of the pump. The opposite diaphragm is pulled in by the shaft connected to the pressurized diaphragm. Diaphragm B is on its suction stroke; air behind the diaphragm has been forced out to atmosphere through the exhaust port of the pump. The movement of diaphragm B toward the center of the pump creates a vacuum within chamber B. Atmospheric pressure forces fluid into the inlet manifold forcing the inlet valve ball off its seat. Liquid is free to move past the inlet valve ball and fill the liquid chamber (see shaded area).



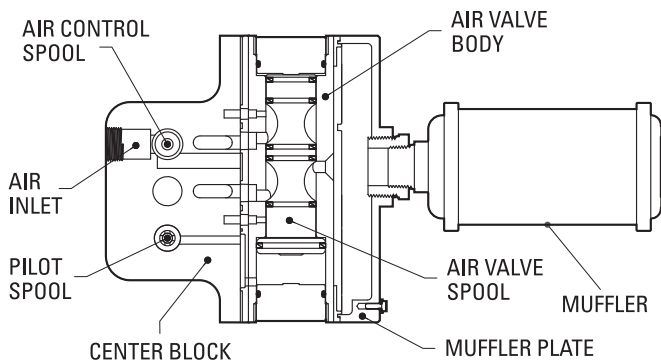
**FIGURE 2** When the pressurized diaphragm, diaphragm A, reaches the limit of its discharge stroke, the air valve redirects pressurized air to the back side of diaphragm B. The pressurized air forces diaphragm B away from the center while pulling diaphragm A to the center. Diaphragm B is now on its discharge stroke. Diaphragm B forces the inlet valve ball onto its seat due to the hydraulic forces developed in the liquid chamber and manifold of the pump. These same hydraulic forces lift the discharge valve ball off its seat, forcing fluid to flow through the pump discharge. The movement of diaphragm A toward the center of the pump creates a vacuum within liquid chamber A. Atmospheric pressure forces fluid into the inlet manifold of the pump. The inlet valve ball is forced off its seat allowing the fluid being pumped to fill the liquid chamber.



**FIGURE 3** At completion of the stroke, the air valve again redirects air to the back side of diaphragm A, which starts diaphragm B on its exhaust stroke. As the pump reaches its original starting point, each diaphragm has gone through one exhaust and one discharge stroke. This constitutes one complete pumping cycle. The pump may take several cycles to completely prime depending on the conditions of the application.



HOW IT WORKS—AIR DISTRIBUTION SYSTEM

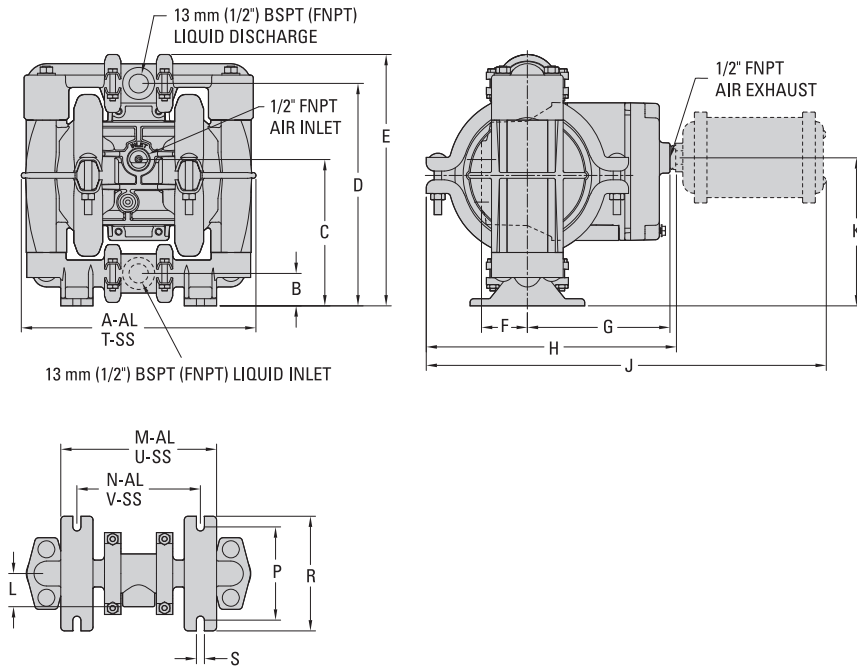


The heart of the patented Pro-Flo® SHIFT Air Distribution System (ADS) is the air valve assembly. The air valve design incorporates an unbalanced spool with the small end of the spool being pressurized continuously while the large end of the spool is alternately pressurized, then exhausted to move the spool. The air valve spool directs pressurized air to one chamber while exhausting the other. The air forces the main shaft/diaphragm assembly to move to one side – discharging liquid on that side and pulling liquid in on the other side. When the shaft reaches the end of the stroke, the inner piston actuates the pilot spool, which controls the air to the large end of the air valve spool. The repositioning of the air valve spool routes the air to the other air chamber. The air control spool allows air to flow freely into the air chamber for the majority of each pump stroke, but it significantly restricts the flow of air into the air chamber when activated by the inner piston near the end of the each stroke. **NOTE:** The PS1 pump does not include a pilot spool.



**DIMENSIONAL DRAWINGS**

**PS1 Metal**

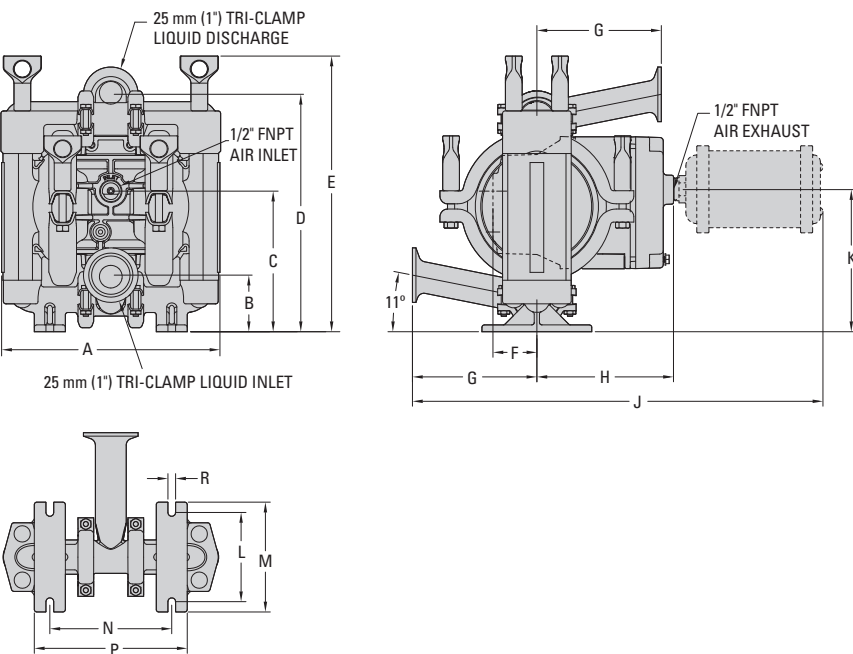


**DIMENSIONS**

ITEM	METRIC (mm)	STANDARD (inch)
A	208	8.2
B	28	1.1
C	130	5.1
D	198	7.8
E	224	8.8
F	41	1.6
G	126	5.0
H	216	8.5
J	354	14.0
K	131	5.2
L	30	1.2
M	137	5.4
N	109	4.3
P	84	3.3
R	102	4.0
S	8	0.3
T	203	8.0
U	142	5.6
V	112	4.4

LW0361 REV. A

**PS1 Metal Saniflo™**



**DIMENSIONS**

ITEM	METRIC (mm)	STANDARD (inch)
A	203	8.0
B	53	2.1
C	130	5.1
D	218	8.6
E	257	10.1
F	41	1.6
G	114	4.5
H	126	5.0
J	380	15.0
K	131	5.2
L	84	3.3
M	102	4.0
N	112	4.4
P	142	5.6
R	8	0.3

LW0362 REV. A



PERFORMANCE

**PS1 METAL RUBBER-FITTED**

Ship Weight ..... Aluminum 6 kg (13 lb)  
 316 Stainless Steel 9 kg (20 lb)  
 Alloy C 9.5 kg (21 lb)

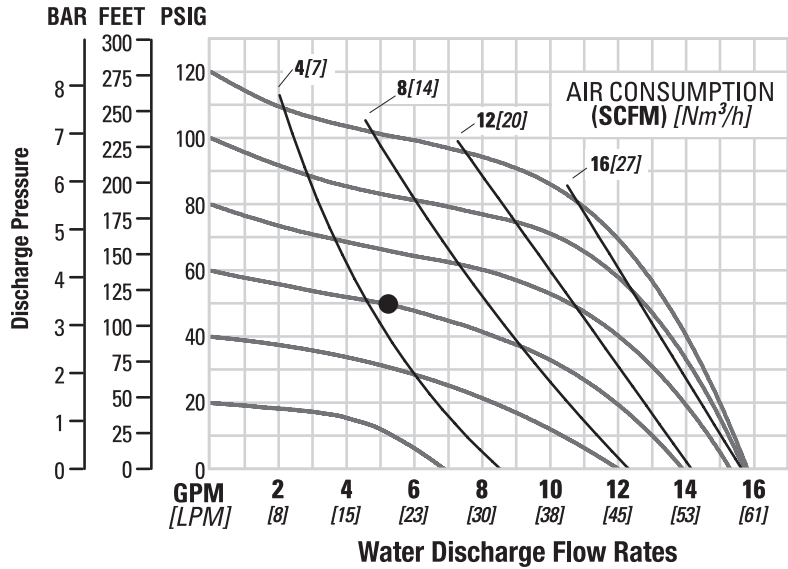
Air Inlet ..... 6 mm (1/4")  
 Inlet ..... 13 mm (1/2")  
 Outlet ..... 13 mm (1/2")  
 Suction Lift ..... 5.9 m Dry (19.3')  
 9.8 m Wet (32.3')

Disp. per Stroke<sup>1</sup> ..... 0.10 L (0.027 gal)  
 Max. Flow Rate ..... 60.2 lpm (15.9 gpm)  
 Max. Size Solids ..... 1.6 mm (1/16")

<sup>1</sup>Displacement per stroke was calculated at 4.8 bar (70 psig) air inlet pressure against a 2.1 bar (30 psig) head pressure.

**Example:** To pump 20.1 lpm (5.3 gpm) against a discharge head of 3.4 bar (50 psig) requires 4.1 bar (60 psig) and 7.7 Nm<sup>3</sup>/h (4.8 scfm) air consumption.

**Caution:** Do not exceed 8.6 bar (125 psig) air supply pressure.



Flow rates indicated on chart were determined by pumping water.

For optimum life and performance, pumps should be specified so that daily operation parameters will fall in the center of the pump's performance curve.

**PS1 METAL TPE-FITTED**

Ship Weight ..... Aluminum 6 kg (13 lb)  
 316 Stainless Steel 9 kg (20 lb)  
 Alloy C 9.5 kg (21 lb)

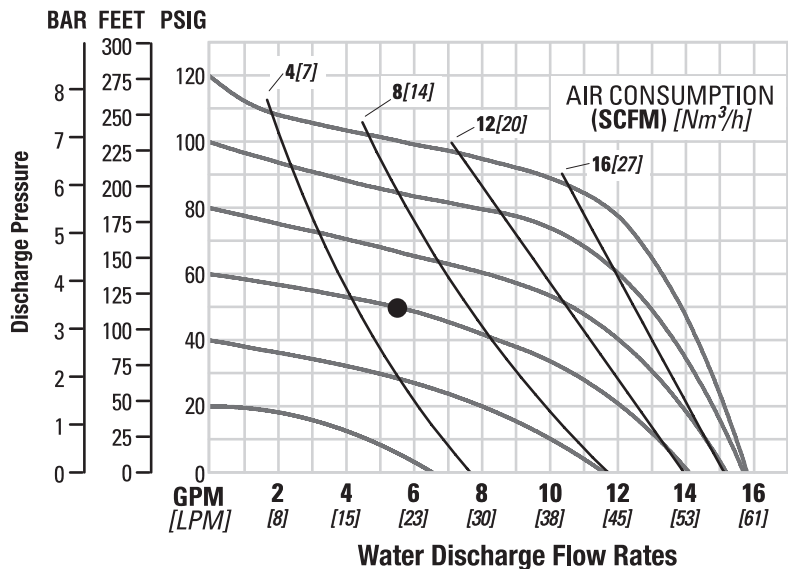
Air Inlet ..... 6 mm (1/4")  
 Inlet ..... 13 mm (1/2")  
 Outlet ..... 13 mm (1/2")  
 Suction Lift ..... 5.7 m Dry (18.7')  
 8.3 m Wet (27.2')

Disp. per Stroke<sup>1</sup> ..... 0.10 L (0.026 gal)  
 Max. Flow Rate ..... 60.2 lpm (15.9 gpm)  
 Max. Size Solids ..... 1.6 mm (1/16")

<sup>1</sup>Displacement per stroke was calculated at 4.8 bar (70 psig) air inlet pressure against a 2.1 bar (30 psig) head pressure.

**Example:** To pump 20.8 lpm (5.5 gpm) against a discharge head of 3.4 bar (50 psig) requires 4.1 bar (60 psig) and 8.3 Nm<sup>3</sup>/h (5.2 scfm) air consumption.

**Caution:** Do not exceed 8.6 bar (125 psig) air supply pressure.



Flow rates indicated on chart were determined by pumping water.

For optimum life and performance, pumps should be specified so that daily operation parameters will fall in the center of the pump's performance curve.

**PERFORMANCE**

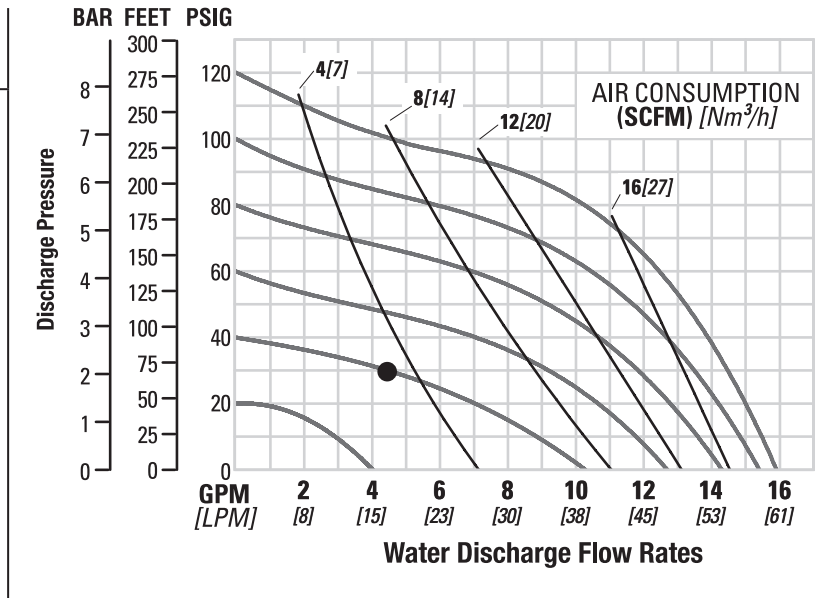
**PS1 METAL  
PTFE-FITTED**

Ship Weight ..... Aluminum 6 kg (13 lb)  
 316 Stainless Steel 9 kg (20 lb)  
 Alloy C 9.5 kg (21 lb)  
 Air Inlet ..... 6 mm (1/4")  
 Inlet ..... 13 mm (1/2")  
 Outlet ..... 13 mm (1/2")  
 Suction Lift ..... 4.3 m Dry (14.2')  
 9.7 m Wet (31.7')  
 Disp. per Stroke<sup>1</sup> ..... 0.10 L (0.026 gal)  
 Max. Flow Rate ..... 59.8 lpm (15.8 gpm)  
 Max. Size Solids ..... 1.6 mm (1/16")

<sup>1</sup>Displacement per stroke was calculated at 4.8 bar (70 psig) air inlet pressure against a 2.1 bar (30 psig) head pressure.

**Example:** To pump 17.4 lpm (4.6 gpm) against a discharge head of 2.1 bar (30 psig) requires 2.8 bar (40 psig) and 5.9 Nm<sup>3</sup>/h (3.5 scfm) air consumption.

**Caution: Do not exceed 8.6 bar (125 psig) air supply pressure.**



*Flow rates indicated on chart were determined by pumping water.*

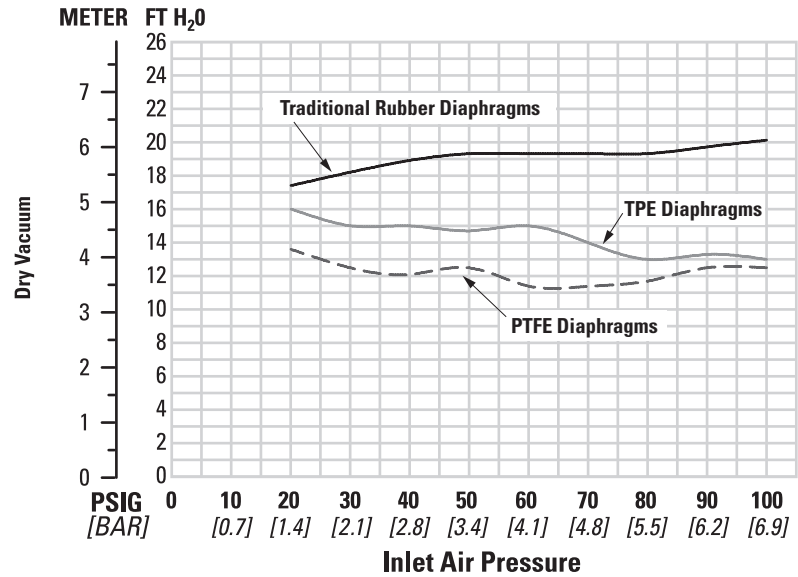
*For optimum life and performance, pumps should be specified so that daily operation parameters will fall in the center of the pump's performance curve.*



**SUCTION-LIFT CURVES**

**PS1 METAL  
SUCTION-LIFT  
CAPABILITY**

Suction-lift curves are calibrated for pumps operating at 305 m (1,000') above sea level. This chart is meant to be a guide only. There are many variables that can affect your pump's operating characteristics. The number of intake and discharge elbows, viscosity of pumping fluid, elevation (atmospheric pressure) and pipe friction loss all affect the amount of suction lift your pump will attain.





## SUGGESTED INSTALLATION

Wilden pumps are designed to meet the performance requirements of even the most demanding pumping applications. They have been designed and manufactured to the highest standards and are available in a variety of liquid path materials to meet your chemical resistance needs. Refer to the performance section of this manual for an in-depth analysis of the performance characteristics of your pump. Wilden offers the widest variety of elastomer options in the industry to satisfy temperature, chemical compatibility, abrasion resistance and flex concerns.

The suction pipe size should be at least the equivalent or larger than the diameter size of the suction inlet on your Wilden pump. The suction hose must be non-collapsible, reinforced type as these pumps are capable of pulling a high vacuum. Discharge piping should also be the equivalent or larger than the diameter of the pump discharge which will help reduce friction losses. It is critical that all fittings and connections are airtight or a reduction or loss of pump suction capability will result.

**INSTALLATION:** Months of careful planning, study and selection efforts can result in unsatisfactory pump performance if installation details are left to chance.

Premature failure and long-term dissatisfaction can be avoided if reasonable care is exercised throughout the installation process.

**LOCATION:** Noise, safety and other logistical factors usually dictate where equipment will be situated on the production floor. Multiple installations with conflicting requirements can result in congestion of utility areas, leaving few choices for additional pumps.

Within the framework of these and other existing conditions, every pump should be located in such a way that six key factors are balanced against each other to maximum advantage.

**ACCESS:** First of all, the location should be accessible. If it's easy to reach the pump, maintenance personnel will have an easier time carrying out routine inspections and adjustments. Should major repairs become necessary, ease of access can play a key role in speeding the repair process and reducing total downtime.

**AIR SUPPLY:** Every pump location should have an air line large enough to supply the volume of air necessary to achieve the desired pumping rate. Use air pressure up to a maximum of 8.6 bar (125 psig) depending on pumping requirements.

For best results, the pumps should use a 5µ (micron) air filter, needle valve and regulator. The use of an air filter before the pump will ensure that the majority of any pipeline contaminants will be eliminated.

**SOLENOID OPERATION:** When operation is controlled by a solenoid valve in the air line, three-way valves should be used. This valve allows trapped air between the valve and the pump to bleed off which improves pump performance. Pumping volume can be estimated by counting the number of strokes per minute and then multiplying the figure by the displacement per stroke.

**MUFFLER:** Sound levels are reduced below OSHA specifications using the standard Wilden muffler. Other mufflers can be used to further reduce sound levels, but they usually reduce pump performance.

**ELEVATION:** Selecting a site that is well within the pump's dynamic lift capability will assure that loss-of-prime issues will be eliminated. In addition, pump efficiency can be adversely affected if proper attention is not given to site location.

**PIPING:** Final determination of the pump site should not be made until the piping challenges of each possible location have been evaluated. The impact of current and future installations should be considered ahead of time to make sure that inadvertent restrictions are not created for any remaining sites.

The best choice possible will be a site involving the shortest and straightest hook-up of suction and discharge piping. Unnecessary elbows, bends and fittings should be avoided. Pipe sizes should be selected to keep friction losses within practical limits. All piping should be supported independently of the pump. In addition, the piping should be aligned to avoid placing stress on the pump fittings.

Flexible hose can be installed to aid in absorbing the forces created by the natural reciprocating action of the pump. If the pump is to be bolted down to a solid location, a mounting pad placed between the pump and the foundation will assist in minimizing pump vibration. Flexible connections between the pump and rigid piping will also assist in minimizing pump vibration. If quick-closing valves are installed at any point in the discharge system, or if pulsation within a system becomes a problem, a surge suppressor (SD Equalizer®) should be installed to protect the pump, piping and gauges from surges and water hammer.

If the pump is to be used in a self-priming application, make sure that all connections are airtight and that the suction lift is within the model's ability. **NOTE:** Materials of construction and elastomer material have an effect on suction lift parameters. Please refer to the performance section for specifics.

When pumps are installed in applications involving flooded suction or suction head pressures, a gate valve should be installed in the suction line to permit closing of the line for pump service.

Pumps in service with a positive suction head are most efficient when inlet pressure is limited to 0.5–0.7 bar (7–10 psig). Premature diaphragm failure may occur if positive suction is 0.7 bar (10 psig) and higher.

**SUBMERSIBLE APPLICATIONS:** Pro-Flo® SHIFT pumps can be used for submersible applications when using the Pro-Flo® SHIFT's single-point exhaust option. Pro-Flo X™ and Turbo-Flo® Pumps are also available in a single-point exhaust (submersible) configuration.

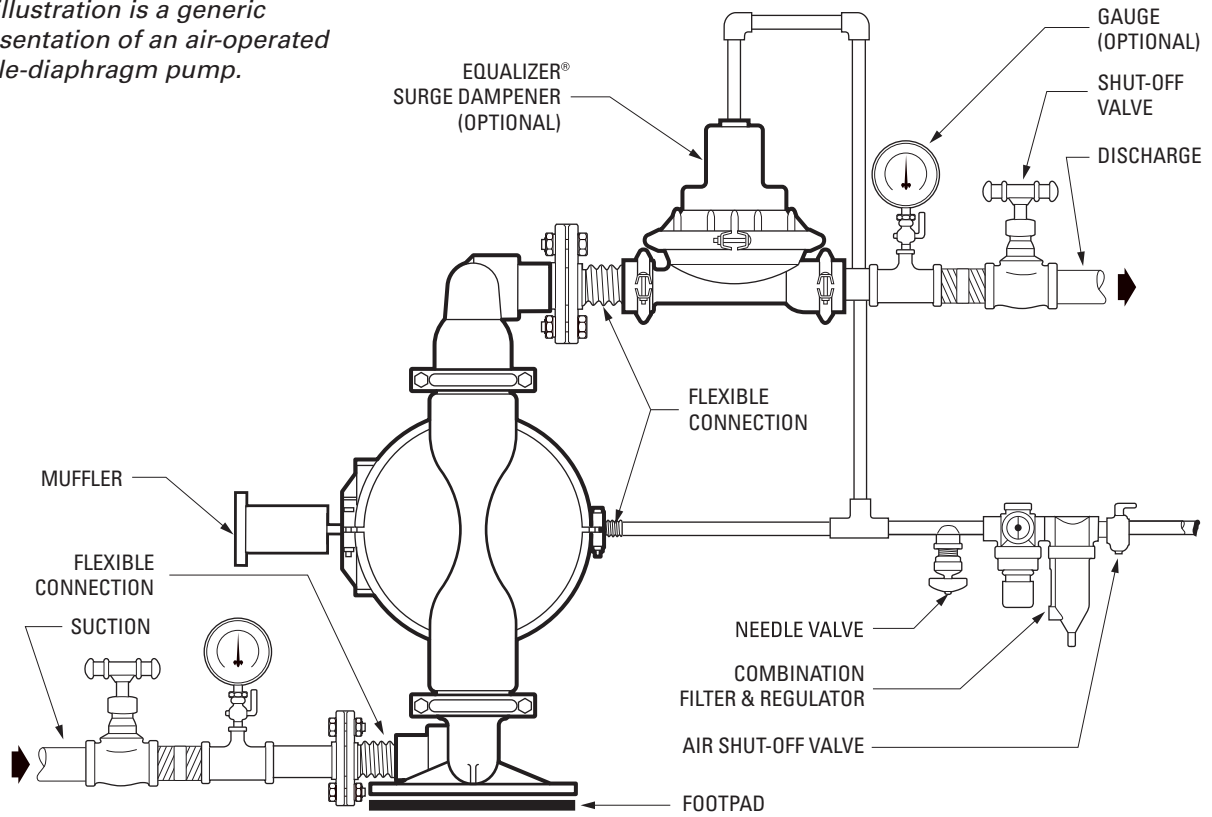
**NOTE:** Pro-Flo® and Accu-Flo™ pumps do not have a single-point exhaust option and are not submersible.

**ALL WILDEN PUMPS ARE CAPABLE OF PASSING SOLIDS. A STRAINER SHOULD BE USED ON THE PUMP INTAKE TO ENSURE THAT THE PUMP'S RATED SOLIDS CAPACITY IS NOT EXCEEDED.**

**CAUTION: DO NOT EXCEED 8.6 BAR (125 PSIG) AIR SUPPLY PRESSURE.**

**SUGGESTED INSTALLATION**

*This illustration is a generic representation of an air-operated double-diaphragm pump.*



**NOTE:** In the event of a power failure, the shut-off valve should be closed, if the restarting of the pump is not desirable once power is regained.

**AIR-OPERATED PUMPS:** To stop the pump from operating in an emergency situation, simply close the shut-off valve (user-supplied) installed in the air supply line. A properly functioning valve will stop the air supply to the pump, therefore stopping output. This shut-off valve should be located far enough away from the pumping equipment such that it can be reached safely in an emergency situation.

## SUGGESTED OPERATION & MAINTENANCE

**OPERATION:** The Pro-Flo® SHIFT pumps are pre-lubricated and do not require in-line lubrication. Additional lubrication will not damage the pump; however if the pump is heavily lubricated by an external source, the pump's internal lubrication may be washed away. If the pump is then moved to a non-lubricated location, it may need to be disassembled and re-lubricated as described in the **DISASSEMBLY/REASSEMBLY INSTRUCTIONS**.

Pump discharge rate can be controlled by limiting the volume and/or pressure of the air supply to the pump. An air regulator is used to regulate air pressure. A needle valve is used to regulate volume. Pump discharge rate can also be controlled by throttling the pump discharge by partially closing a valve in the discharge line of the pump. This action increases friction loss which reduces flow rate. (See Section 5.) This is useful when the need exists to control the pump from a remote location. When the pump discharge pressure equals or exceeds the air supply pressure, the pump will stop; no bypass or pressure relief valve is needed, and pump damage will not occur. The pump has reached a "deadhead" situation

and can be restarted by reducing the fluid discharge pressure or increasing the air inlet pressure. Wilden Pro-Flo® SHIFT pumps run solely on compressed air and do not generate heat; therefore, your process fluid temperature will not be affected.

**MAINTENANCE AND INSPECTIONS:** Since each application is unique, maintenance schedules may be different for every pump. Frequency of use, line pressure, viscosity and abrasiveness of process fluid all affect the parts life of a Wilden pump. Periodic inspections have been found to offer the best means for preventing unscheduled pump downtime. Personnel familiar with the pump's construction and service should be informed of any abnormalities that are detected during operation.

**RECORDS:** When service is required, a record should be made of all necessary repairs and replacements. Over a period of time, such records can become a valuable tool for predicting and preventing future maintenance problems and unscheduled downtime. In addition, accurate records make it possible to identify pumps that are poorly suited to their applications.

## TROUBLESHOOTING

### ***Pump will not run or runs slowly.***

1. Ensure that the air inlet pressure is at least 0.4 bar (5 psig) above startup pressure and that the differential pressure (the difference between air inlet and liquid discharge pressures) is not less than 0.7 bar (10 psig).
2. Check air inlet filter for debris (see **SUGGESTED INSTALLATION**).
3. Check for extreme air leakage (blow by) that would indicate worn seals/bores in the air valve, pilot spool and main shaft.
4. Disassemble pump and check for obstructions in the air passageways or objects that would obstruct the movement of internal parts.
5. Check for sticking ball check valves. If material being pumped is not compatible with pump elastomers, swelling may occur. Replace ball check valves and seats with proper elastomers. Also, as the check valve balls wear out, they become smaller and can become stuck in the seats. In this case, replace balls and seats.
6. Check for broken inner piston that would cause the air valve spool to be unable to shift.
7. Remove plug from pilot spool exhaust.

### ***Pump runs but little or no product flows.***

1. Check for pump cavitation; slow pump speed down to allow thick material to flow into liquid chambers.
2. Verify that vacuum required to lift liquid is not

greater than the vapor pressure of the material being pumped (cavitation).

3. Check for sticking ball check valves. If material being pumped is not compatible with pump elastomers, swelling may occur. Replace ball check valves and seats with proper elastomers. Also, as the check valve balls wear out, they become smaller and can become stuck in the seats. In this case, replace balls and seats.

### ***Pump air valve freezes.***

1. Check for excessive moisture in compressed air. Either install a dryer or hot air generator for compressed air. Alternatively, a coalescing filter may be used to remove the water from the compressed air in some applications.

### ***Air bubbles in pump discharge.***

1. Check for ruptured diaphragm.
2. Check tightness of outer pistons (refer to Section 7).
3. Check tightness of fasteners and integrity of O-rings and seals, especially at intake manifold.
4. Ensure pipe connections are airtight.

### ***Product comes out air exhaust.***

1. Check for diaphragm rupture.
2. Check tightness of outer pistons to shaft.



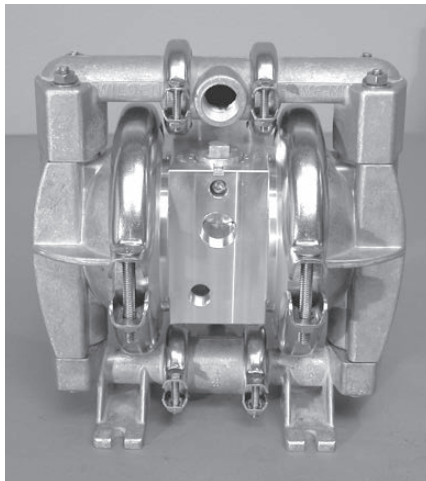
## PUMP DISASSEMBLY

### Tools Required:

- 3/8" Box Wrench
- 7/16" Socket Wrench
- Adjustable Wrench
- Vise equipped w/ soft jaws (such as plywood, plastic or other suitable material)

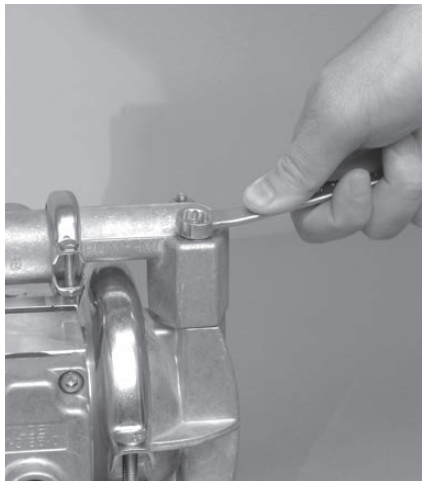
**CAUTION:** Before any maintenance or repair is attempted, the compressed air line to the pump should be disconnected and all air pressure allowed to bleed from the pump. Disconnect all intake, discharge and air lines. Drain the pump by turning it upside down and allowing any fluid to flow into a suitable container. Be aware of any hazardous effects of contact with your process fluid.

**NOTE:** The model photographed is a metal PX1 13 mm (1/2") pump. Your specific pump model may vary from configuration shown; however, pump disassembly procedure will be the same.



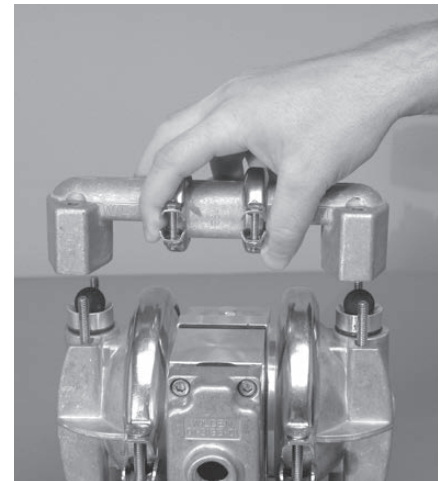
### Step 1

Prior to disassembly, alignment marks should be placed on the liquid chambers and air chamber to assist with proper alignment during reassembly.



### Step 2

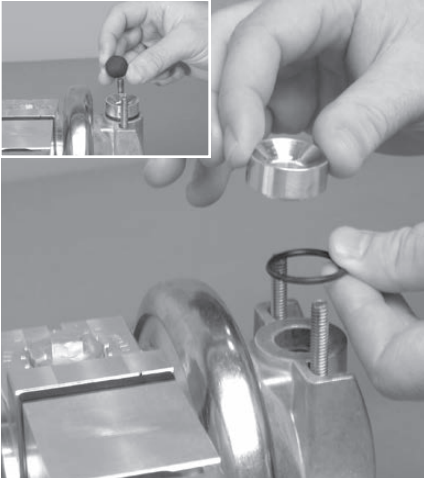
Using a 7/16" box wrench, remove the nuts that connect the inlet and discharge manifolds to the center section assembly.



### Step 3

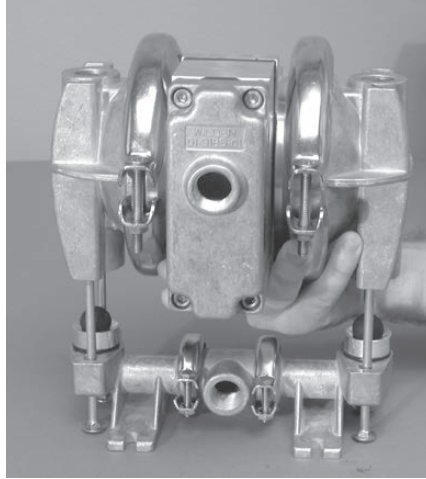
Next, remove the discharge manifold from the pump.

## PUMP DISASSEMBLY



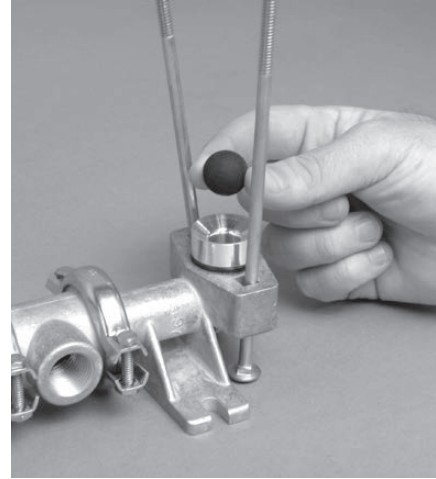
### Step 4

Remove the discharge valve ball, valve seat and valve seat O-ring and inspect for signs of wear and replace, if necessary.



### Step 5

Now the center section assembly can be removed from the inlet manifold.



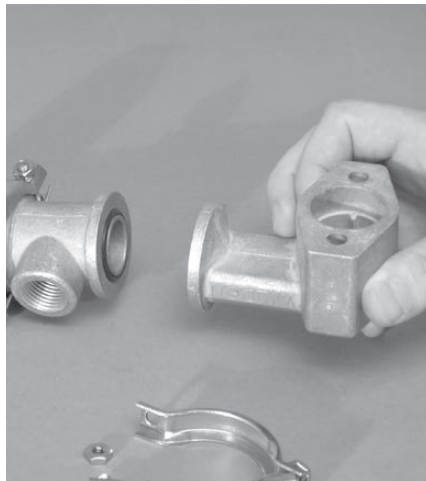
### Step 6

Remove the inlet valve ball, valve seat and valve seat O-ring and inspect for signs of wear and/or chemical attack. Replace, if necessary.



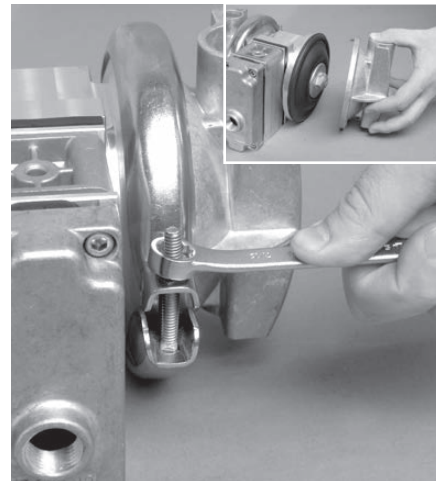
### Step 7

Using a 3/8" wrench, remove the small clamp band that connects the manifold elbows to the tee section.



### Step 8

Remove the tee section o-rings and inspect for signs of wear and/or chemical attack. Replace, if necessary.



### Step 9

Using a 7/16" box end wrench, remove the large clamp bands. With the clamp bands removed, lift the liquid chamber away from the center section.

## PUMP DISASSEMBLY



### Step 10

Using an adjustable wrench or rotating the diaphragm by hand, remove the diaphragm assembly from the center section.



### Step 11A

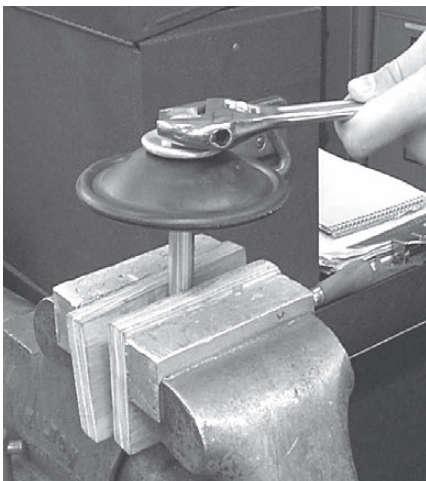
Due to varying torque values, one of the two situations will occur:

A) The outer piston, diaphragm and inner piston will separate from the shaft which remains connected to the opposite side diaphragm assembly.



### Step 11B

B) The diaphragm assembly and shaft remain connected leaving the opposite side diaphragm assembly within the opposite side of the center section assembly.



### Step 13

To remove the diaphragm assembly from the shaft, secure shaft with soft jaws (a vise fitted with plywood or other suitable material) to ensure shaft is not nicked, scratched or gouged. Using an adjustable wrench, remove the diaphragm assembly from shaft. Inspect all parts for wear and replace with genuine Wilden parts, if necessary.

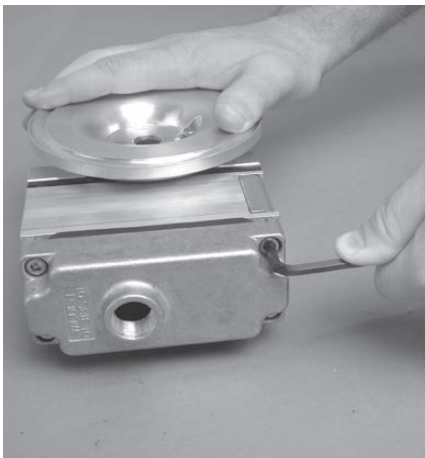
## AIR VALVE / CENTER SECTION DISASSEMBLY

### Tools Required:

- 3/16" Hex-Head Wrench
- 7/32" Hex-Head Wrench
- Snap-Ring Pliers
- O-Ring Pick

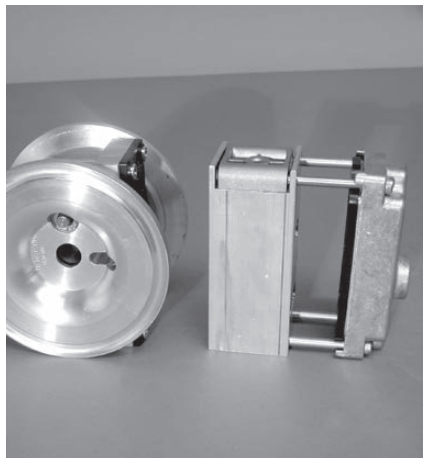
**CAUTION:** Before any maintenance or repair is attempted, the compressed air line to the pump should be disconnected and all air pressure allowed to bleed from the pump. Disconnect all intake, discharge and air lines. Drain the pump by turning it upside down and allowing any fluid to flow into a suitable container. Be aware of hazardous effects of contact with your process fluid.

The Wilden Pro-Flo® SHIFT metal pumps utilize a revolutionary Pro-Flo® SHIFT air distribution system. Proprietary composite seals reduce the coefficient of friction and allow the Pro-Flo® SHIFT to run lube-free. The Pro-Flo® SHIFT air distribution system is designed to perform in on/off, non-freezing, non-stalling, tough duty applications.



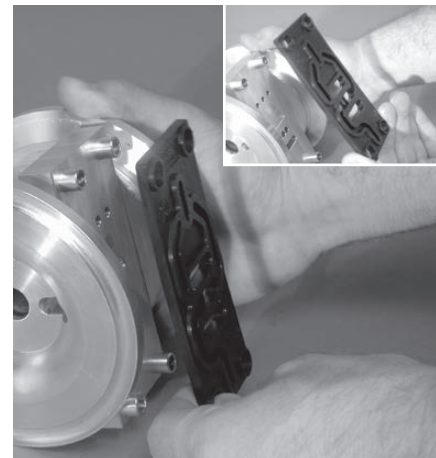
### Step 1

Using a 3/16" hex head wrench, loosen the air valve bolts.



### Step 2

Remove the air valve and muffler plate from the center section.

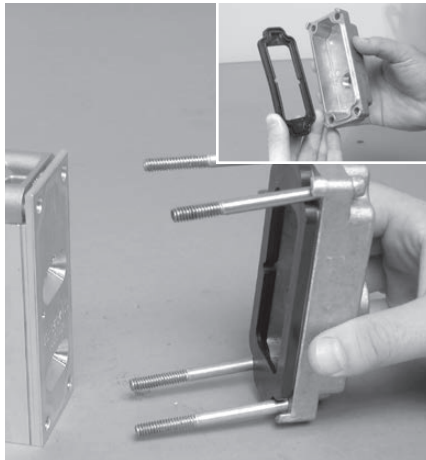


### Step 3

Remove the air valve gasket and inspect for nicks, gouges and chemical attack. Replace if necessary with genuine Wilden parts. **NOTE:** When installing the air valve gasket onto the center section assembly, position gasket with the grooved side facing away from the center section.



## AIR VALVE / CENTER SECTION DISASSEMBLY



### Step 4

Remove muffer plate gasket and inspect. Replace, if necessary.



### Step 5

Remove air valve end cap to expose air valve spool. **NOTE:** The end cap cannot be removed until removing air valve bolts.



### Step 6

Remove air valve spool from air valve body by threading one air valve bolt into the end of the spool and gently sliding the spool out of the air valve body. Inspect seals for signs of wear and replace entire assembly if necessary. Use caution when handling air valve spool to prevent damaging seals. **NOTE:** Seals should not be removed from assembly. Seals are not sold separately.



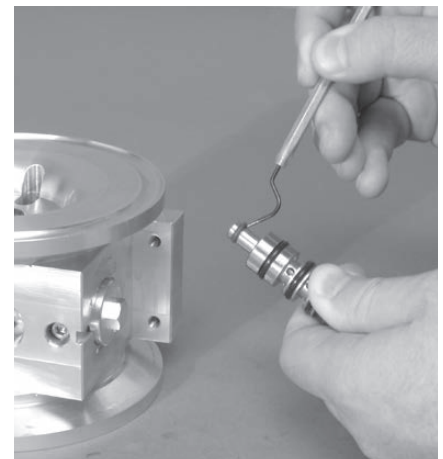
### Step 7

Remove pilot spool retaining snap-ring on both sides of center section with snap-ring pliers.



### Step 8

Remove pilot spool assembly from center section.



### Step 9

Using an O-ring pick, gently remove the pilot spool retaining O-ring from the opposite side of the notched end of the spool. Gently remove the pilot spool from pilot spool sleeve and inspect for nicks, gouges and other signs of wear. Replace pilot spool assembly or outer sleeve O-rings if necessary. During re-assembly never insert the pilot spool into the sleeve with the "notched" end side first, this end incorporates the urethane O-ring and will be damaged as it slides over the ports cut in the pilot spool sleeve.

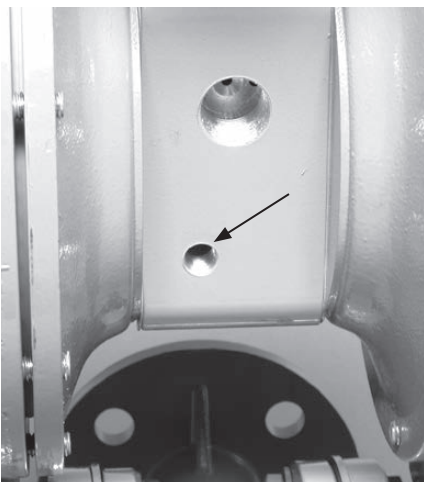
**AIR VALVE / CENTER SECTION DISASSEMBLY**



**Step 10**

Check center section shaft seals for signs of wear. If necessary, remove the shaft seals with an O-ring pick and replace.

**SINGLE-POINT EXHAUST PRO-FLO® SHIFT**



**Step 1**

Remove pilot exhaust muffer in pilot bleed port located at the front of the center block. Install 1/4" NPT pipe plug (00-7010-08) into bleed port.



**Step 2**

Next, install an optional single-point exhaust gasket (01-2621-52). The single-point air valve gasket can be purchased as a spare part or included with the purchase of a new Pro-Flo® SHIFT pump.

## REASSEMBLY HINTS & TIPS

### REASSEMBLY:

Upon performing applicable maintenance to the air distribution system, the pump can now be reassembled. Please refer to the disassembly instructions for photos and parts placement. To reassemble the pump, follow the disassembly instructions in reverse order. The air distribution system needs to be assembled first, then the diaphragms and finally the wetted path. Please find the applicable torque specifications on this page. The following tips will assist in the assembly process.

- Lubricate air valve bore, center section shaft and pilot spool bore with NLGI grade 2 white EP bearing grease or equivalent.
- Clean the inside of the center section shaft bore to ensure no damage is done to new shaft seals.
- A small amount of NLGI grade 2 white EP bearing grease can be applied to the muffler and air valve gaskets to lubricate gaskets during assembly.
- Make sure that the exhaust port on the muffler plate is centered between the two exhaust ports on the center section.
- Stainless steel bolts should be lubed to reduce the possibility of seizing during tightening.

### PRO-FLO® SHIFT MAXIMUM TORQUE SPECIFICATIONS

Description of Part	Torque
Air Valve	11.3 N•m (100 in-lb)
Outer Piston	14.1 N•m (125 in-lb)
Small Clamp Band	1.7 N•m (15 in-lb)
Large Clamp Band (Rubber/TPE-Fitted)	9.0 N•m (80 in-lb)
Large Clamp Band (PTFE-Fitted)	13.6 N•m (120 in-lb)
Vertical Bolts	14.1 N•m (125 in-lb)

### SHAFT SEAL INSTALLATION:

#### PRE-INSTALLATION

- Once all of the old seals have been removed, the inside of the bushing should be cleaned to ensure no debris is left that may cause premature damage to the new seals.

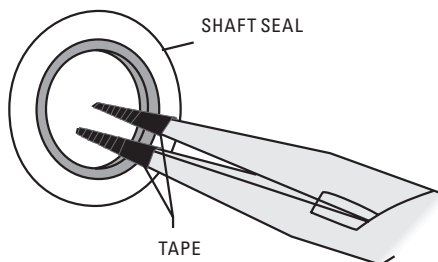
#### INSTALLATION

The following tools can be used to aid in the installation of the new seals:

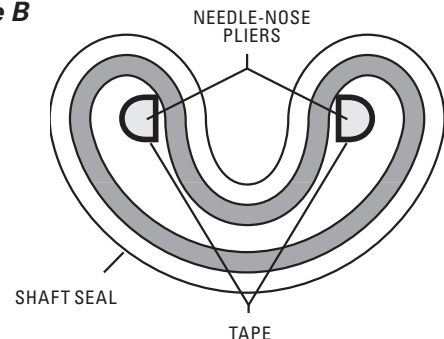
Needle-Nose Pliers  
Phillips Screwdriver  
Electrical Tape

- Wrap electrical tape around each leg of the needle-nose pliers (heat shrink tubing may also be used). This is done to prevent damaging the inside surface of the new seal.
- With a new seal in hand, place the two legs of the needle-nose pliers inside the seal ring. (See Figure A.)
- Open the pliers as wide as the seal diameter will allow, then with two fingers pull down on the top portion of the seal to form a kidney shape. (See Figure B.)
- Lightly clamp the pliers together to hold the seal into the kidney shape. Be sure to pull the seal into as tight of a kidney shape as possible, this will allow the seal to travel down the bushing bore with greater ease.
- With the seal clamped in the pliers, insert the seal into the bushing bore and position the bottom of the seal into the correct groove. Once the bottom of the seal is seated in the groove, release the clamp pressure on the pliers. This will allow the seal to partially snap back to its original shape.
- After the pliers are removed, you will notice a slight bump in the seal shape. Before the seal can be properly resized, the bump in the seal should be removed as much as possible. This can be done with either the Phillips screwdriver or your finger. With either the side of the screwdriver or your finger, apply light pressure to the peak of the bump. This pressure will cause the bump to be almost completely eliminated.
- Lubricate the edge of the shaft with NLGI grade 2 white EP bearing grease.
- Slowly insert the center shaft with a rotating motion. This will complete the resizing of the seal.
- Perform these steps for the remaining seals.

**Figure A**



**Figure B**

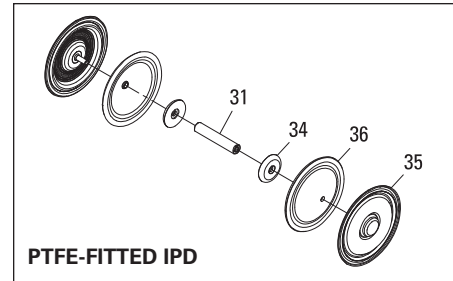
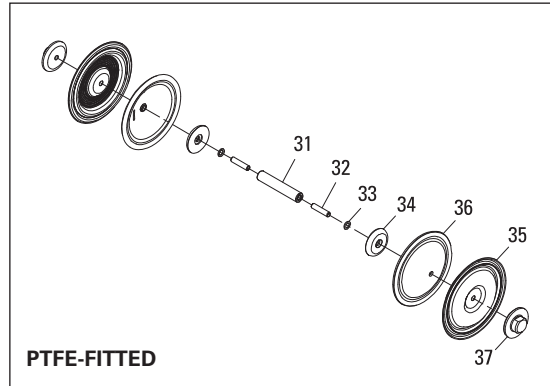
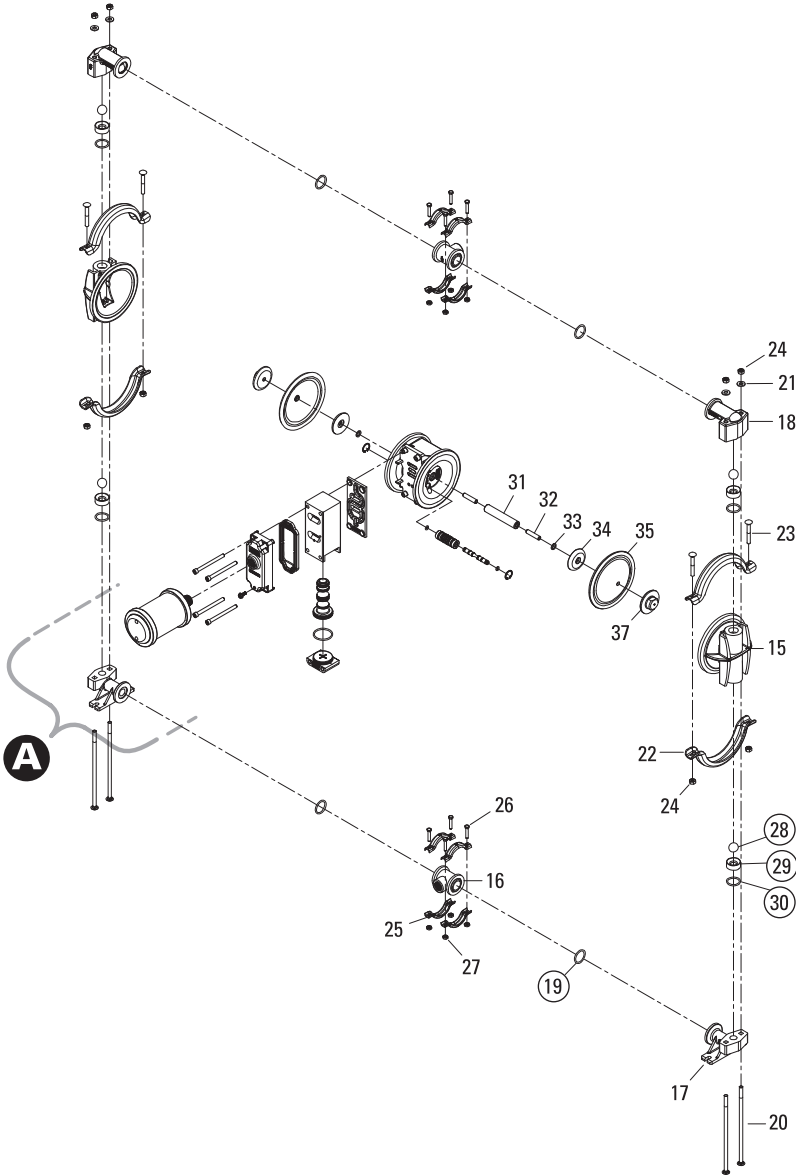




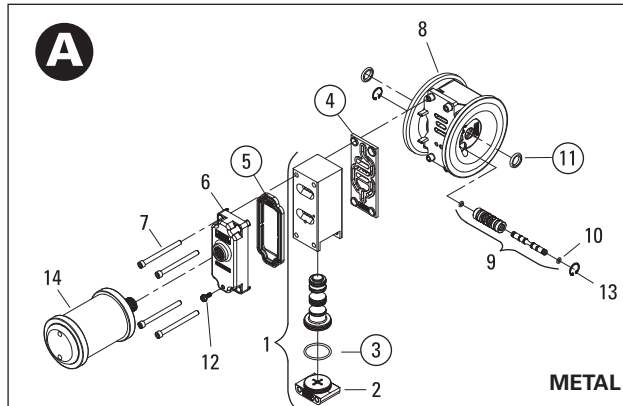
EXPLODED VIEW & PARTS LISTING

PS1 METAL

EXPLODED VIEW



ALL CIRCLED PART IDENTIFIERS ARE INCLUDED IN REPAIR KITS





**EXPLODED VIEW & PARTS LISTING**

**PS1 METAL**

**PARTS LISTING**

Item	Description	Qty.	XPS1/ AAAAA/.../ P/N	XPS1/ SSAAA/.../ P/N	XPS1/ SSAAA/.../0070 P/N	XPS1/ HAAAA/.../ P/N
<b>AIR DISTRIBUTION COMPONENTS</b>						
1	<b>Pro-Flo X® Air Valve Assembly<sup>1</sup></b>	1	<b>01-2030-01</b>	<b>01-2030-01</b>	<b>01-2030-01</b>	<b>01-2030-01</b>
2	End Cap	1	01-2340-01	01-2340-01	01-2340-01	01-2340-01
3	<b>O-Ring (-126), End Cap (Ø1.362 x Ø.103)</b>	1	<b>01-2395-52</b>	<b>01-2395-52</b>	<b>01-2395-52</b>	<b>01-2395-52</b>
4	<b>Gasket, Air Valve, Pro-Flo X®</b>	1	<b>01-2620-52</b>	<b>01-2620-52</b>	<b>01-2620-52</b>	<b>01-2620-52</b>
5	<b>Gasket, Muffler Plate, Pro-Flo X®</b>	1	<b>01-3502-52</b>	<b>01-3502-52</b>	<b>01-3502-52</b>	<b>01-3502-52</b>
6	Muffler Plate, Pro-Flo X®	1	01-3185-01	01-3185-01	01-3185-01	01-3185-01
7	Screw, SHC, Air Valve (1/4"-20 x 3")	4	01-6001-03	01-6001-03	01-6001-03	01-6001-03
8	Center Block Assembly, Pro-Flo® SHIFT <sup>2</sup>	1	01-3139-01	01-3139-01	01-3139-01	01-3139-01
9	<b>Pilot Sleeve Assembly</b>	1	<b>01-3880-99</b>	<b>01-3880-99</b>	<b>01-3880-99</b>	<b>01-3880-99</b>
10	<b>O-Ring (-009), Pilot Spool Retaining (Ø.208" x .070")</b>	2	<b>04-2650-49-700</b>	<b>04-2650-49-700</b>	<b>04-2650-49-700</b>	<b>04-2650-49-700</b>
11	<b>Shaft Seal</b>	2	<b>01-3220-55</b>	<b>01-3220-55</b>	<b>01-3220-55</b>	<b>01-3220-55</b>
12	Screw, 10-32 x .50 Self-Tapping Grounding	1	04-6345-08	04-6345-08	04-6345-08	04-6345-08
13	Retaining Ring	1	00-2650-03	00-2650-03	00-2650-03	00-2650-03
14	Muffler, 1/2" MNPT	1	02-3512-99	02-3512-99	02-3512-99	02-3512-99
<b>WETTED PATH COMPONENTS</b>						
15	Liquid Chamber	2	01-5000-01	01-5000-03	01-5000-03P	01-5000-04
16	Manifold Tee Section	2	01-5160-01	01-5160-03	01-5160-03-70P	01-5160-04
17	Inlet Manifold Elbow	2	01-5220-01	01-5220-03	01-5220-03P	01-5220-04
18	Discharge Manifold Elbow	2	01-5230-01	01-5230-03	01-5230-03P	01-5230-04
19	<b>O-Ring, Manifold (-120), (Ø.987 x Ø.103)</b>	4	*	*	*	*
20	RHSN Bolt, Liquid Chamber (1/4"-20 x 7-1/2")	4	01-6080-03	01-6080-03	01-6080-03	01-6080-03
21	Washer, Flat (Ø.281 x Ø.625 x .065)	4	01-6730-03	01-6730-03	01-6730-03	01-6730-03
22	Large Clamp Band Assembly	4	01-7300-03	01-7300-03	01-7300-03-70	01-7300-03
23	RHSN Bolt, Large Clamp Band (1/4"-20 x 2-1/4")	4	01-6070-03	01-6070-03	01-6070-03	01-6070-03
24	Hex Nut (1/4"-20)	8	04-6400-03	04-6400-03	N/A	04-6400-03
	Wing, Nut (1/4"-20) (not shown)	8	N/A	N/A	04-6651-10	N/A
25	Small Clamp Band Assembly	8	01-7100-03	01-7100-03	01-7100-03	01-7100-03
26	Screw, HHC (#10-24 x 1")	8	01-6101-03	01-6101-03	01-6101-03	01-6101-03
27	Hex Nut (#10-24)	8	01-6400-03	01-6400-03	01-6400-03	01-6400-03
<b>VALVE BALLS/ VALVE SEATS/VALVE O-RINGS</b>						
28	<b>Ball, Valve</b>	4	*	*	*	*
29	<b>Seat, Valve</b>	4	*	*	*	*
30	<b>O-Ring (-119), Valve Seat (Ø.924 x Ø.103)</b>	4	*	*	*	*
<b>RUBBER/TPE COMPONENTS</b>						
31	Shaft	1	01-3810-03	01-3810-03	01-3810-03	01-3810-03
32	Stud, Shaft (5/16"-18 x 1-3/8")	2	N/A	01-6150-03	01-6150-03	01-6150-03
33	Spring, Disc	2	01-6802-08	01-6802-08	01-6802-08	01-6802-08
34	Inner Piston	2	01-3711-08	01-3711-08	01-3711-08	01-3711-08
35	<b>Diaphragm, Primary</b>	2	*	*	*	*
37	Outer Piston	2	01-4570-01	01-4570-03	01-4570-03P	01-4570-04
<b>PTFE COMPONENTS</b>						
31	Shaft	1	01-3810-03	01-3810-03	01-3810-03	01-3810-03
32	Stud, Shaft (5/16"-18 x 1-3/8")	2	N/A	01-6150-03	01-6150-03	01-6150-03
33	Spring, Disc (Ø.331 x Ø.512)	2	01-6802-08	01-6802-08	01-6802-08	01-6802-08
34	Inner Piston	2	01-3711-08	01-3711-08	01-3711-08	01-3711-08
35	<b>Diaphragm, Primary</b>	2	*	*	*	*
36	<b>Diaphragm, Backup</b>	2	*	*	*	*
37	Outer Piston	2	01-4570-01	01-4570-03	01-4570-03P	01-4570-04
<b>IPD PTFE COMPONENTS</b>						
31	Shaft	1	01-3810-03	01-3810-03	01-3810-03	01-3810-03
34	Inner Piston	2	01-3711-08	01-3711-08	01-3711-08	01-3711-08
35	<b>Diaphragm, IPD Primary</b>	2	*	*	*	*
36	<b>Diaphragm, Backup</b>	2	*	*	*	*

<sup>1</sup>Air Valve Assembly includes items 2 and 3.

<sup>2</sup>Center Section Assembly includes item 11.

**All boldface items are primary wear parts.**

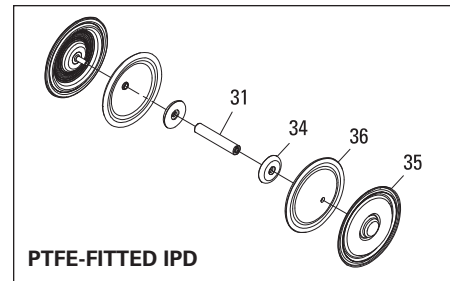
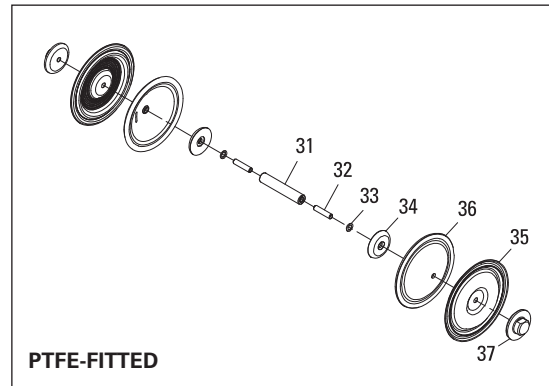
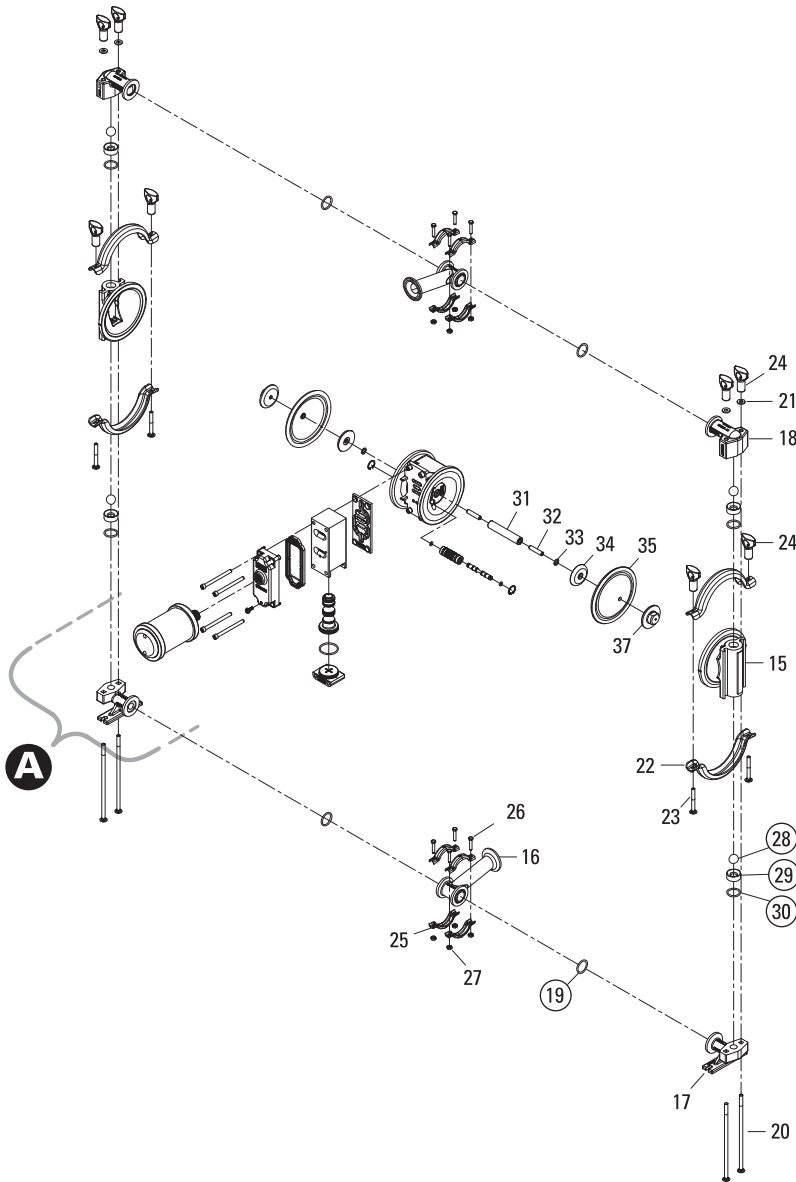
LW0358 Rev. A

**EXPLODED VIEW & PARTS LISTING**

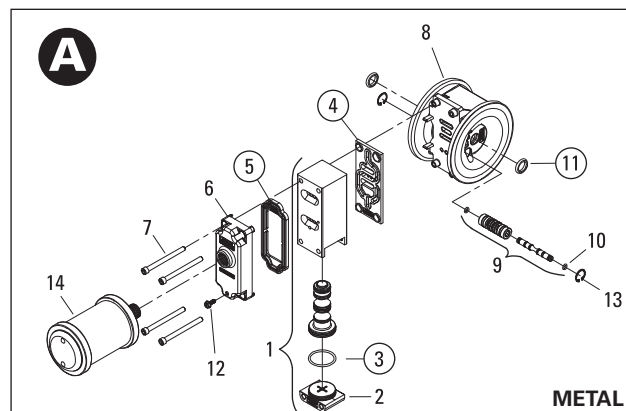
**PS1 METAL SANIFLO™**

1935/2004/EC

**EXPLODED VIEW**



ALL CIRCLED PART IDENTIFIERS ARE INCLUDED IN REPAIR KITS



**EXPLODED VIEW & PARTS LISTING**

**PS1 METAL SANIFLO™**

1935/2004/EC

**PARTS LISTING**

Item	Description	Qty.	XPS1/SSAAA/ 1935/2004/EC
<b>AIR DISTRIBUTION COMPONENTS</b>			
1	<b>Pro-Flo X® Air Valve Assembly<sup>1</sup></b>	1	01-2030-01
2	End Cap	1	01-2340-01
3	<b>O-Ring (-126), End Cap (Ø1.362 x Ø.103)</b>	1	01-2395-52
4	<b>Gasket, Air Valve, Pro-Flo X®</b>	1	01-2620-52
5	<b>Gasket, Muffler Plate, Pro-Flo X®</b>	1	01-3502-52
6	Muffler Plate, Pro-Flo X®	1	01-3185-01
7	Screw, SHC, Air Valve (1/4"-20 x 3")	4	01-6001-03
8	Center Block Assembly, Pro-Flo® SHIFT <sup>2</sup>	1	01-3139-01
9	<b>Pilot Sleeve Assembly</b>	1	01-3880-99
10	<b>O-Ring (-009), Pilot Spool Retaining (Ø.208" x .070")</b>	2	04-2650-49-700
11	<b>Shaft Seal</b>	2	01-3220-55
12	Screw, 10-32 x .50 Self-Tapping Grounding	1	04-6345-08
13	Retaining Ring	1	00-2650-03
14	Muffler, 1/2" MNPT	1	02-3512-99
<b>WETTED PATH COMPONENTS</b>			
15	Liquid Chamber	2	01-5000-03P
16	Manifold Tee Section	2	01-5160-03-70P
17	Inlet Manifold Elbow	2	01-5220-03P
18	Discharge Manifold Elbow	2	01-5230-03P
19	<b>O-Ring, Manifold (-120), (Ø.987 x Ø.103), Pkg 4</b>	1	01-1300-56E
20	RHSN Bolt, Liquid Chamber (1/4"-20 x 7-1/2")	4	01-6080-03
21	Washer, Flat (Ø.281 x Ø.625 x .065)	4	01-6730-03
22	Large Clamp Band Assembly	4	01-7300-03-70
23	RHSN Bolt, Large Clamp Band (1/4"-20 x 2-1/4")	4	01-6070-03
24	Wing, Nut (1/4"-20)	8	04-6651-10
25	Small Clamp Band Assembly	8	01-7100-03
26	Screw, HHC (#10-24 x 1")	8	01-6101-03
27	Hex Nut (#10-24)	8	01-6400-03
<b>VALVE BALLS/ VALVE SEATS/VALVE O-RINGS</b>			
28	<b>Ball, Valve, Pkg 4</b>	1	*
29	<b>Seat, Valve</b>	4	01-1120-03E
30	<b>O-Ring (-119), Valve Seat (Ø.924 x Ø.103), Pkg 4</b>	1	*
<b>RUBBER/TPE COMPONENTS</b>			
31	Shaft	1	01-3810-03
32	Stud, Shaft (5/16"-18 x 1-3/8")	2	01-6150-03
33	Spring, Disc	2	01-6802-08
34	Inner Piston	2	01-3711-08
35	<b>Diaphragm, Primary, Pkg 2</b>	1	*
37	Outer Piston	2	01-4570-03E
<b>PTFE COMPONENTS</b>			
31	Shaft	1	01-3810-03
32	Stud, Shaft (5/16"-18 x 1-3/8")	2	01-6150-03
33	Spring, Disc (Ø.331 x Ø.512)	2	01-6802-08
34	Inner Piston	2	01-3711-08
35	<b>Diaphragm, Primary, Pkg 2</b>	1	*
36	<b>Diaphragm, Backup, Pkg 2</b>	1	*
37	Outer Piston	2	01-4570-03E
<b>IPD PTFE COMPONENTS</b>			
31	Shaft	1	01-3810-03
34	Inner Piston	2	01-3711-08
35	<b>Diaphragm, Primary, Pkg 2</b>	1	*
36	<b>Diaphragm, Backup, Pkg 2</b>	1	*

<sup>1</sup>Air Valve Assembly includes items 2 and 3.  
<sup>2</sup>Center Section Assembly includes item 11.  
**All boldface items are primary wear parts.**



## ELASTOMER OPTIONS

## PS1 Metal

MATERIAL	DIAPHRAGMS	REDUCED-STROKE BACKUP DIAPHRAGMS	REDUCED-STROKE IPD DIAPHRAGMS	VALVE BALLS	VALVE SEATS	VALVE SEATS O-RINGS	MANIFOLD O-RINGS
Polyurethane	01-1010-50	N/A	N/A	01-1080-50	N/A	01-1200-50	01-1300-50
Neoprene	N/A	01-1060-51	N/A	N/A	N/A	N/A	N/A
Buna-N®	01-1010-52	N/A	N/A	01-1080-52	N/A	00-1260-52	01-1300-52
Conductive Buna-N®	01-1010-86	01-1060-86	N/A	N/A	N/A	N/A	N/A
High Temperature Buna-N®	N/A	01-1060-61	N/A	N/A	N/A	N/A	N/A
FKM	01-1010-53	01-1060-53	N/A	01-1080-53	N/A	N/A	N/A
EPDM	01-1010-54	N/A	N/A	01-1080-54	N/A	00-1260-54	01-1300-54
FDA EPDM	N/A	01-1060-54	N/A	N/A	N/A	N/A	N/A
PTFE	01-1010-55	N/A	01-1030-55	01-1080-55	N/A	01-1200-55	01-1300-55
Saniflex™	01-1010-56	01-1060-56	N/A	01-1080-56	N/A	01-1200-56	01-1300-56
Wil-Flex™	01-1010-58	N/A	N/A	01-1080-58	N/A	00-1260-58	00-1260-58
Food Grade Wil-Flex™	N/A	01-1060-57	N/A	N/A	N/A	N/A	N/A
Aluminum	N/A	N/A	N/A	N/A	01-1120-01	N/A	N/A
Stainless Steel	N/A	N/A	N/A	N/A	01-1120-03	N/A	N/A
Alloy C	N/A	N/A	N/A	N/A	01-1120-04	N/A	N/A

LW0358 Rev. A

## PS1 Metal Saniflo™ 1935/2004/EC

MATERIAL	DIAPHRAGMS	REDUCED-STROKE BACKUP DIAPHRAGMS	REDUCED-STROKE IPD DIAPHRAGMS	VALVE BALLS	VALVE SEATS	VALVE SEATS O-RINGS	MANIFOLD O-RINGS
FDA EPDM	N/A	01-1060-54E	N/A	N/A	N/A	N/A	N/A
PTFE	01-1010-56E	01-1060-56E	N/A	01-1080-56E	01-1200-56E	01-1300-56E	01-1300-55
Saniflex™	01-1010-55E	N/A	01-1030-55E	01-1080-55E	01-1200-55E	01-1300-55E	01-1300-56

LW0360 Rev. A



# WILDEN®

## DECLARATION OF CONFORMITY

STATEMENT OF COMPLIANCE TO REGULATIONS (EC) NO 1935/2004  
ON MATERIALS AND ARTICLES INTENDED TO COME INTO CONTACT WITH FOOD  
(as per Article 16 of REGULATION (EC) No 1935/2004)



Wilden Pump & Engineering, LLC, 22069 Van Buren Street, Grand Terrace, CA 92313-5607 USA,  
certifies as the manufacturer that the Air-Operated Double Diaphragm pumps listed below comply with the  
European Community Regulation 1935/2004/(EC) for Food Contact Materials.

- **25 mm (1") Saniflo Hygienic™ HS Metal Pump:**  
(PX,XPX)2/(SS,SZ)(SSS,NNN)/(FBS,FES,FSL,FSS,LEL,TEU,TSS,TSU)/(FB,FE,FS,TF)/(FB,FE,FV,TF)/(0770-0789)E
- **38 mm – 76 mm (1-½"-3") Pro-Flo X™ Saniflo Hygienic HS Metal Pump:**  
(PX,XPX)(4,8,15)/(SS,SZ)(SSS,NNN)/(BNU,EPU,FBS,FES,FSL,FSS,LEL,TEU,TSS,TSU,ZSS)/(FB,FE,FS,FV,SF,TF,FM)/(FB,FE,TF)/(0770-0789)E
- **38 mm – 76 mm (1-½"-3") Pro-Flo SHIFT® Saniflo Hygienic HS Metal Pump:**  
(PS,XPS)(4,8,15)/(SS,SZ)(SSS,NNN)/(FBS,FES,FSL,FSS,LEL,TSS,ZSS)/(FB,FE,FS,FV,SF,TF,FM)/(FB,FE,TF)/(0770-0789)E
- **76 mm (3") Saniflo HS High Pressure Advanced Metal Pump**  
H1500/(SS,SZ)III/(FSL,TSS)/(TF,FM)/(FE,FV,TF)/0770E
- **13 mm (½") Pro-Flo® & Pro-Flo X Saniflo FDA Metal Pump Models:**  
(P,PX,XPX)1/(SS,SZ)(AAA,GGG,JJJ,LLL,PPP)/(FSL,FSS,TEU,TSU)/(FS,TF)/S(FS,TF)/(0067,0070,0120)E
- **25 mm (1") Pro-Flo Saniflo FDA Metal Pump Models:**  
P2/(SS,SZ)(LLL,PPP)/(FBS,FES,FSL,FSS,LEL,TEU,TSS,TSU)/(FS,TF)/S(FS,TF)/2070E
- **38 mm (1-½") Pro-Flo & Pro-Flo X Saniflo FDA Metal Pump Models:**  
(P,PX,XPX)4/(SS,SZ)(AAA,LLL,NNN,SSS)/(BNU,EPU,FBS,FES,FSL,FSS,TEU, TSS, TSU)/(FS,TF)/(FS,STF)/(0067,0070,0075,0120)E
- **51 mm (2") Pro-Flo & Pro-Flo X Saniflo FDA Metal Pump Models:**  
(P,PX,XPX)8/(SS,SZ)(AAA,PPP,NNN,SSS)/( BNU,EPU,FBS,FES,FSS,TEU,TSU,TSS)/(FS,TF)/(FS,STF)/(0070,0075,0120)E
- **76 mm 3" Pro-Flo X Saniflo FDA Metal Pump Models:**  
(PX,XPX)15/(SS,SZ)(AAA,NNN,SSS)/(BNU,EPU,FSL,FSS,TEU,TSU,TSS)/(FS,TF)/(FS,STF)/(0070,0075,0120)E
- **38 mm 1-½" Pro-Flo SHIFT Saniflo FDA Metal Pump Models:**  
XPS4/(SS,SZ)(AAA,NNN,SSS)/(FBS,FES,FSL,FSS,TSS,ZSS)/(FS,TF)/(FS,STF)/(0067,0070,0775,0120)E
- **51 mm 2" Pro-Flo SHIFT Saniflo FDA Metal Pump Models:**  
XPS8/(SS,SZ)(AAA,NNN,SSS)/(FBS,FES,FSL,FSS,TSS,ZSS)/(FS,TF)/(FS,STF)/(0070,0075,0120)E
- **76 mm 3" Pro-Flo SHIFT Saniflo FDA Metal Pump Models:**  
XPS15/(SS,SZ)(AAA,NNN,SSS)/(FSL,FSS,TSS,ZSS)/(FS,TF)/(FS,STF)/(0070,0120,0341)E

Materials used in equipment that are intended to contact food belong to the groups of materials listed in Annex 1 (EC) 1935/2004 (List of groups of materials and articles which may be covered by specific measures)

5) Rubbers       8) Metal and Alloy       10) Plastics

Compliance is subject to material and equipment storage, handling and usage recommended by Wilden in the engineering operation and maintenance manual and supplemental technical publications.

This declaration is based on the following information:

Statements of raw material suppliers

Wilden will make available to the competent authorities appropriate documentation to demonstrate compliance

Approved By:

Chris Distaso  
Director of Engineering  
Date: July 5, 2017

**NOTES**

**WARRANTY**

Each and every product manufactured by Wilden Pump and Engineering, LLC is built to meet the highest standards of quality. Every pump is functionally tested to insure integrity of operation.

Wilden Pump and Engineering, LLC warrants that pumps, accessories and parts manufactured or supplied by it to be free from defects in material and workmanship for a period of five (5) years from date of installation or six (6) years from date of manufacture, whichever comes first. Failure due to normal wear, misapplication, or abuse is, of course, excluded from this warranty.

Since the use of Wilden pumps and parts is beyond our control, we cannot guarantee the suitability of any pump or part for a particular application and Wilden Pump and Engineering, LLC shall not be liable for any consequential damage or expense arising from the use or misuse of its products on any application. Responsibility is limited solely to replacement or repair of defective Wilden pumps and parts.

All decisions as to the cause of failure are the sole determination of Wilden Pump and Engineering, LLC.

Prior approval must be obtained from Wilden for return of any items for warranty consideration and must be accompanied by the appropriate MSDS for the product(s) involved. A Return Goods Tag, obtained from an authorized Wilden distributor, must be included with the items which must be shipped freight prepaid.

The foregoing warranty is exclusive and in lieu of all other warranties expressed or implied (whether written or oral) including all implied warranties of merchantability and fitness for any particular purpose. No distributor or other person is authorized to assume any liability or obligation for Wilden Pump and Engineering, LLC other than expressly provided herein.

**PLEASE PRINT OR TYPE AND FAX TO WILDEN**

<b>PUMP INFORMATION</b>			
Item # _____		Serial # _____	
Company Where Purchased _____			
<b>YOUR INFORMATION</b>			
Company Name _____			
Industry _____			
Name _____		Title _____	
Street Address _____			
City _____	State _____	Postal Code _____	Country _____
Telephone _____	Fax _____	E-mail _____	Web Address _____
Number of pumps in facility? _____		Number of Wilden pumps? _____	
Types of pumps in facility (check all that apply): <input type="checkbox"/> Diaphragm <input type="checkbox"/> Centrifugal <input type="checkbox"/> Gear <input type="checkbox"/> Submersible <input type="checkbox"/> Lobe			
<input type="checkbox"/> Other _____			
Media being pumped? _____			
How did you hear of Wilden Pump? <input type="checkbox"/> Trade Journal <input type="checkbox"/> Trade Show <input type="checkbox"/> Internet/E-mail <input type="checkbox"/> Distributor			
<input type="checkbox"/> Other _____			

**ONCE COMPLETE, FAX TO (909) 783-3440**

**OR GO TO [PSGDOVER.COM](http://PSGDOVER.COM) > WILDEN > SUPPORT TO COMPLETE THE WARRANTY REGISTRATION ONLINE**

NOTE: WARRANTY VOID IF PAGE IS NOT FAXED TO WILDEN OR SUBMITTED ONLINE VIA THE [PSGDOVER.COM](http://PSGDOVER.COM) WEBSITE

WILDEN PUMP & ENGINEERING, LLC

## Where Innovation Flows



PSG reserves the right to modify the information and illustrations contained in this document without prior notice. This is a non-contractual document. 11-2017

# WILDEN®

PSG

22069 Van Buren St., Grand Terrace, CA 92313-5607

P: +1 (909) 422-1730 • F: +1 (909) 783-3440

[wildenpump.com](http://wildenpump.com)

Authorized PSG Representative:

Copyright ©2017, PSG, A Dover Company