

**EOM**

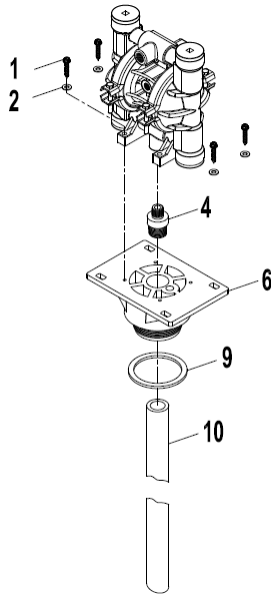
**ENGINEERING OPERATION  
& MAINTENANCE MANUAL**

# Universal Drum Pump Kit

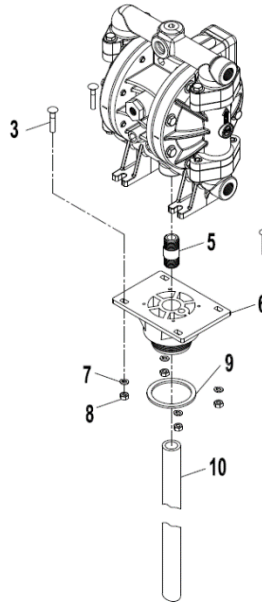


## EXPLODED VIEW AND PARTS LIST

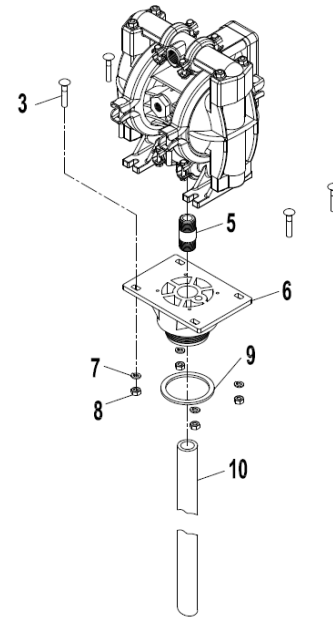
**P.025, P25, A.025, & A.025P**



**A100P & P100**



**A1P & P1**



Item	Description	Qty	Part Number	Material of Construction
1	Self Tapping Screws	4	50-6350-03	Stainless Steel
2	Flat Washer	4	00-6740-03-514	Stainless Steel
3	Carriage Bolt 1/4 - 20 x 1 1/2	4	02-6050-03-500	Stainless Steel
4	Adapter Nipple for P.025, P25, A.025, & A.025P	1	50-9360-20 50-9360-55	Polypropylene Teflon® PTFE
5	Adapter Nipple for A1P, A100P, P1, & P100	1	50-9350-55	Teflon® PTFE
6	Drum Pump Base Adapter	1	50-9330-20	Polypropylene
7	Lock Washer	4	50-6760-03	Stainless Steel
8	1/4 - 20 Nut	4	04-6400-03	Stainless Steel
9	Drum Pump Base Gasket	1	50-1480-52	Buna-N
10	Pick-Up Tube	1	50-9310-20 50-9310-55	Polypropylene Teflon® PTFE

Wilden drum pump kit fits both 6 mm (1/4") & 13 mm (1/2") pumps and come in the following options:

Description	Part Number	Ship Weight	Box Dimension
Universal Drum Pump Kit – Polypropylene	50-9290-20	1.4 kg (3 lbs)	3' x 6" x 4"
Universal Drum Pump Kit – PTFE	50-9290-55	1.4 kg (3 lbs)	3' x 6" x 4"