

P800/PV800

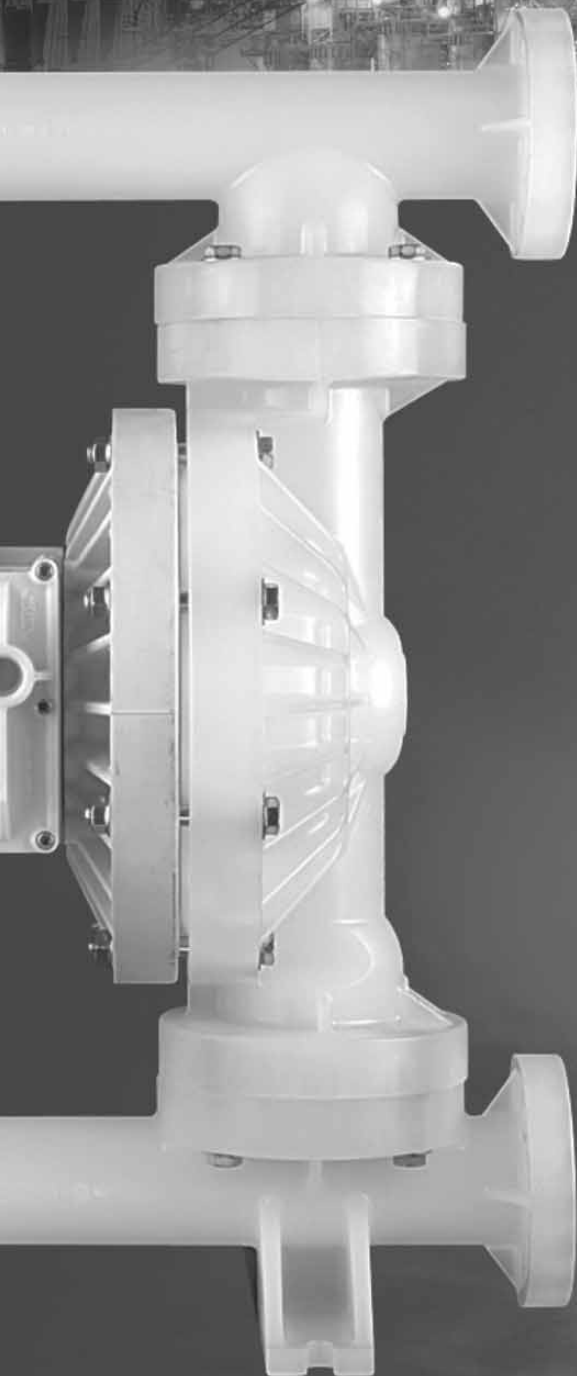
Advanced™ Series **PLASTIC** Pumps

EOM

Engineering
Operation &
Maintenance



Advance your process



PROFLO[®]
PROGRESSIVE PUMP TECHNOLOGY

PROFLO V[™]
PROGRESSIVE PUMP TECHNOLOGY

WILDEN[®]

A **DOVER** COMPANY



WIL-11120-E-04
Replaces WIL-11120-E-03

TABLE OF CONTENTS

SECTION 1 CAUTIONS—READ FIRST! 1

SECTION 2 WILDEN PUMP DESIGNATION SYSTEM 2

SECTION 3 HOW IT WORKS—PUMP & AIR DISTRIBUTION SYSTEM 3

SECTION 4 DIMENSIONAL DRAWINGS 4

SECTION 5 PERFORMANCE

 A. P800 Performance Curves

 Rubber-Fitted 6

 TPE-Fitted 6

 PTFE-Fitted 7

 Ultra-Flex™ -Fitted 7

 PV800 Performance Curves

 Rubber-Fitted 8

 TPE-Fitted 8

 PTFE-Fitted 9

 Ultra-Flex™ -Fitted 9

 B. Suction Lift Curves 10

SECTION 6 SUGGESTED INSTALLATION, OPERATION & TROUBLESHOOTING 11

SECTION 7 ASSEMBLY / DISASSEMBLY 14

SECTION 8 EXPLODED VIEW & PARTS LISTING

 P800 Rubber/TPE-Fitted 22

 P800 PTFE/Ultra-Flex™ -Fitted 24

 PV800 Rubber/TPE-Fitted 26

 PV800 PTFE/Ultra-Flex™ -Fitted 28

SECTION 9 ELASTOMER OPTIONS 30



CAUTIONS—READ FIRST!



CAUTION: Do not apply compressed air to the exhaust port — pump will not function.



CAUTION: Do not over-lubricate air supply — excess lubrication will reduce pump performance. Pump is pre-lubed.

**TEMPERATURE LIMITS:**

Neoprene	-17.7°C to 93.3°C	0°F to 200°F
Buna-N	-12.2°C to 82.2°C	10°F to 180°F
EPDM	-51.1°C to 137.8°C	-60°F to 280°F
Viton®	-40°C to 176.7°C	-40°F to 350°F
Saniflex™	-28.9°C to 104.4°C	-20°F to 220°F
Polytetrafluoroethylene (PTFE)		
	4.4°C to 104.4°C	40°F to 220°F
Polyurethane	-12.2°C to 65.6°C	10°F to 150°F
Tetra-Flex™ PTFE w/Neoprene Backed		
	4.4°C to 107.2°C	40°F to 225°F
Tetra-Flex™ PTFE w/EPDM Backed		
	-10°C to 137°C	14°F to 280°F

NOTE: Not all materials are available for all models. Refer to Section 2 for material options for your pump.



CAUTION: When choosing pump materials, be sure to check the temperature limits for all wetted components. Example: Viton® has a maximum limit of 176.7°C (350°F) but polypropylene has a maximum limit of only 79°C (175°F).



CAUTION: Maximum temperature limits are based upon mechanical stress only. Certain chemicals will significantly reduce maximum safe operating temperatures. Consult Chemical Resistance Guide (E4) for chemical compatibility and temperature limits.



WARNING: Prevention of static sparking — if static sparking occurs, fire or explosion could result. Pump, valves, and containers must be grounded to a proper grounding point when handling flammable fluids and whenever discharge of static electricity is a hazard.



CAUTION: Do not exceed 8.6 bar (125 psig) air supply pressure.



CAUTION: The process fluid and cleaning fluids must be chemically compatible with all wetted pump components. Consult Chemical Resistance Guide (E4).



CAUTION: Do not exceed 82°C (180°F) air inlet temperature for Pro-Flo V™ models.



CAUTION: Pumps should be thoroughly flushed before installing into process lines. FDA and USDA approved pumps should be cleaned and/or sanitized before being used.



CAUTION: Always wear safety glasses when operating pump. If diaphragm rupture occurs, material being pumped may be forced out air exhaust.



CAUTION: Before any maintenance or repair is attempted, the compressed air line to the pump should be disconnected and all air pressure allowed to bleed from pump. Disconnect all intake, discharge and air lines. Drain the pump by turning it upside down and allowing any fluid to flow into a suitable container.



CAUTION: Blow out air line for 10 to 20 seconds before attaching to pump to make sure all pipeline debris is clear. Use an in-line air filter. A 5µ (micron) air filter is recommended.



CAUTION: If the pipe plug in the inlet or discharge manifold on the 51 mm (2") Advanced™ plastic center-ported model is removed, a triple density (red) PTFE pipe tape is recommended to ensure adequate sealing.



NOTE: When installing PTFE diaphragms, it is important to tighten outer pistons simultaneously (turning in opposite directions) to ensure tight fit. (See torque specifications in Section 7.)



NOTE: Cast Iron PTFE-fitted pumps come standard from the factory with expanded PTFE gaskets installed in the diaphragm bead of the liquid chamber. PTFE gaskets cannot be re-used. Consult PS-TG for installation instructions during reassembly.



NOTE: Before starting disassembly, mark a line from each liquid chamber to its corresponding air chamber. This line will assist in proper alignment during reassembly.



CAUTION: Pro-Flo® pumps cannot be used in submersible applications. Pro-Flo V™ is available in both submersible and non-submersible options. Do not use non-submersible Pro-Flo V™ models in submersible applications. Turbo-Flo™ pumps can also be used in submersible applications.



CAUTION: Tighten all hardware prior to installation.



WILDEN PUMP DESIGNATION SYSTEM

P800/PV800 PLASTIC

**51 mm (2") Pump
Maximum Flow Rate:
702 LPM (186 GPM)**

LEGEND

PV800 / XXXXX / XXX / XX / XXX / XXXX

MODEL

WETTED PARTS & OUTER PISTON

AIR CHAMBERS

CENTER BLOCK

AIR VALVE

DIAPHRAGMS

VALVE BALLS

O-RINGS

VALVE SEAT

SPECIALTY CODE

(if applicable)

MATERIAL CODES

MODEL

P800 = PRO-FLO®
PV800 = PRO-FLO V™

WETTED PARTS

KK = PVDF / PVDF
PK = POLYPROPYLENE / PVDF

AIR CHAMBERS

P = POLYPROPYLENE

CENTER BLOCK

A = ALUMINUM (PV800 only)
C = PTFE-COATED (PV800 only)
N = NICKEL-PLATED (PV800 only)
P = POLYPROPYLENE (P800 only)
S = STAINLESS STEEL (PV800 only)

AIR VALVE

A = ALUMINUM (PV800 only)
C = PTFE-COATED (PV800 only)
N = NICKEL-PLATED (PV800 only)
P = POLYPROPYLENE (P800 only)
S = STAINLESS STEEL (PV800 only)

DIAPHRAGMS

BNS = BUNA-N (Red Dot)
BNU = BUNA-N, ULTRA-FLEX™
EPS = EPDM (Blue Dot)
EPU = EPDM, ULTRA-FLEX™
FSS = SANIFLEX™ [Hytrel® (Cream)]
NES = NEOPRENE (Green Dot)
NEU = NEOPRENE, ULTRA-FLEX™
PUS = POLYURETHANE (Clear)
TEU = PTFE W/EPDM BACK-UP (White)
TNU = PTFE W/NEOPRENE BACK-UP (White)
TSU = PTFE W/SANIFLEX™ BACK-UP (White)
VTS = VITON® (White Dot)
VTU = VITON®, ULTRA-FLEX™
WFS = WIL-FLEX™ [Santoprene® (Orange Dot)]
XBS = CONDUCTIVE BUNA-N

VALVE BALL

BN = BUNA-N (Red Dot)
EP = EPDM (Blue Dot)
FS = SANIFLEX™ [Hytrel® (Cream)]
NE = NEOPRENE (Green Dot)
PU = POLYURETHANE (Clear)
TF = PTFE (White)
VT = VITON® (White Dot)
WF = WIL-FLEX™ [Santoprene® (Orange Dot)]

VALVE SEAT

K = PVDF
P = POLYPROPYLENE

VALVE SEAT & FLANGE O-RING

BN = BUNA-N
TV = PTFE ENCAP. VITON®
WF = WIL-FLEX™ (Santoprene)

SPECIALTY CODES

0100 Wil-Gard 110V
0102 Wil-Gard sensor wires ONLY
0103 Wil-Gard 220V
0206 PFA coated hardware, Wil-Gard II™ sensor wires ONLY
0480 Pump Cycle Monitor (sensor & wires)
0483 Pump Cycle Monitor (module, sensor & wires)
0485 Pump Cycle Monitor (module, sensor & wires), DIN flange

0502 PFA Coated
0504 DIN Flange
0506 DIN Flange, PFA Coated
0513 SS outer pistons
0604 DIN flange Wil-Gard II™
0608 PFA coated hardware, Wil-Gard II™ 220V
0690 Center-Ported ANSI/DIN Combo
0691 Center-ported, ANSI/DIN combo flange, PFA coated fasteners

0733 Center-ported, Reversed ANSI/DIN combo flange (inlet facing air inlet/discharge facing exhaust)
0734 Center-ported, Reversed ANSI/DIN combo flange (inlet facing air inlet/discharge facing exhaust), PFA coated fasteners

NOTE: MOST ELASTOMERIC MATERIALS USE COLORED DOTS FOR IDENTIFICATION.

NOTE: Not all models are available with all material options.

Viton® is a registered trademark of DuPont Dow Elastomers.

HOW IT WORKS—PUMP

The Wilden diaphragm pump is an air-operated, positive displacement, self-priming pump. These drawings show flow pattern through the pump upon its initial stroke. It is assumed the pump has no fluid in it prior to its initial stroke.

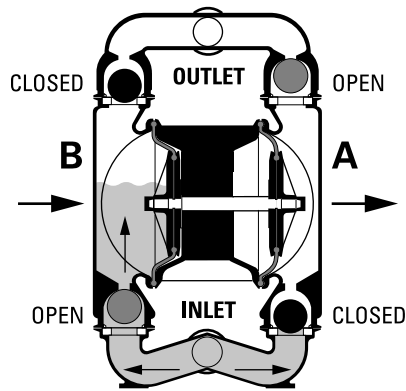


FIGURE 1 The air valve directs pressurized air to the back side of diaphragm A. The compressed air is applied directly to the liquid column separated by elastomeric diaphragms. The diaphragm acts as a separation membrane between the compressed air and liquid, balancing the load and removing mechanical stress from the diaphragm. The compressed air moves the diaphragm away from the center of the pump. The opposite diaphragm is pulled in by the shaft connected to the pressurized diaphragm. Diaphragm B is on its suction stroke; air behind the diaphragm has been forced out to atmosphere through the exhaust port of the pump. The movement of diaphragm B toward the center of the pump creates a vacuum within chamber B. Atmospheric pressure forces fluid into the inlet manifold forcing the inlet valve ball off its seat. Liquid is free to move past the inlet valve ball and fill the liquid chamber (see shaded area).

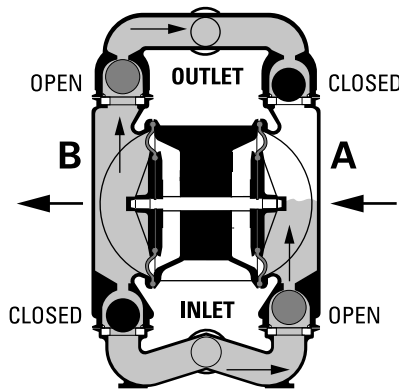


FIGURE 2 When the pressurized diaphragm, diaphragm A, reaches the limit of its discharge stroke, the air valve redirects pressurized air to the back side of diaphragm B. The pressurized air forces diaphragm B away from the center while pulling diaphragm A to the center. Diaphragm B is now on its discharge stroke. Diaphragm B forces the inlet valve ball onto its seat due to the hydraulic forces developed in the liquid chamber and manifold of the pump. These same hydraulic forces lift the discharge valve ball off its seat, forcing fluid to flow through the pump discharge. The movement of diaphragm A toward the center of the pump creates a vacuum within liquid chamber A. Atmospheric pressure forces fluid into the inlet manifold of the pump. The inlet valve ball is forced off its seat allowing the fluid being pumped to fill the liquid chamber.

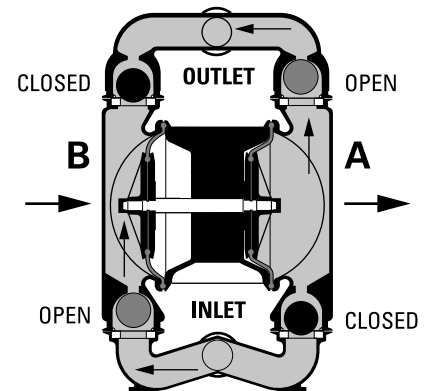
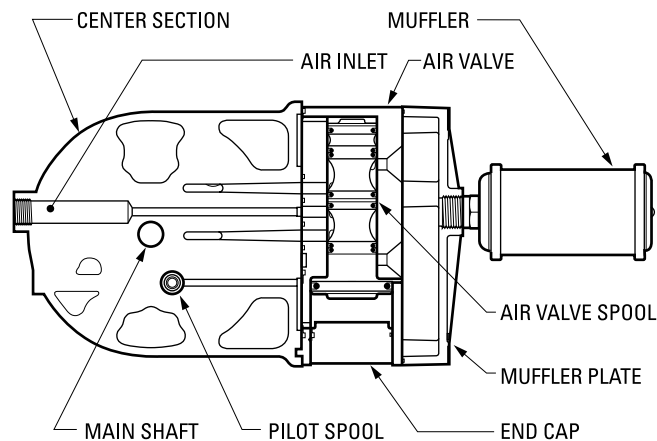


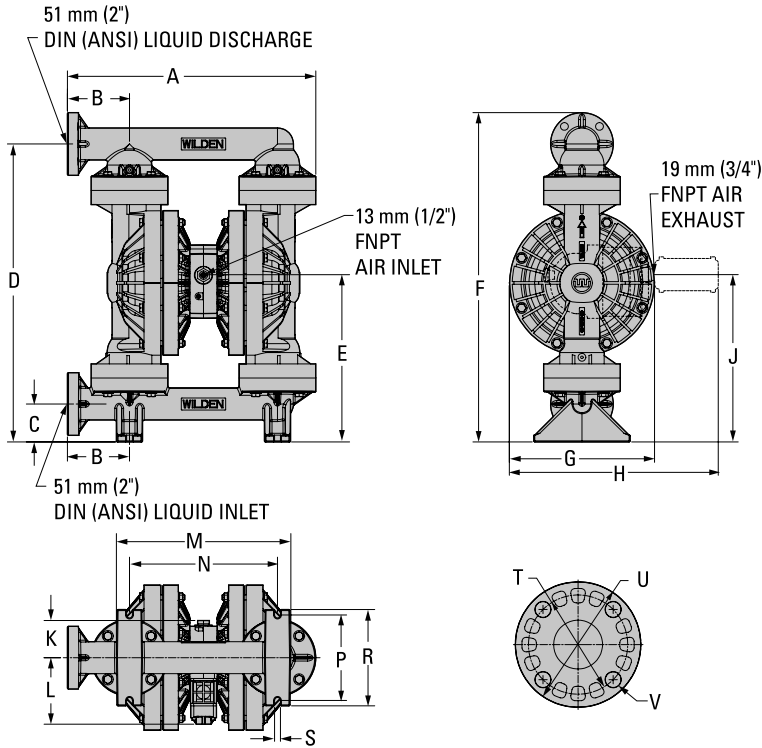
FIGURE 3 At completion of the stroke, the air valve again redirects air to the back side of diaphragm A, which starts diaphragm B on its exhaust stroke. As the pump reaches its original starting point, each diaphragm has gone through one exhaust and one discharge stroke. This constitutes one complete pumping cycle. The pump may take several cycles to completely prime depending on the conditions of the application.

HOW IT WORKS—AIR DISTRIBUTION SYSTEM



The Pro-Flo® patented air distribution system incorporates two moving parts: the air valve spool and the pilot spool. The heart of the system is the air valve spool and air valve. This valve design incorporates an unbalanced spool. The smaller end of the spool is pressurized continuously, while the large end is alternately pressurized then exhausted to move the spool. The spool directs pressurized air to one air chamber while exhausting the other. The air causes the main shaft/diaphragm assembly to shift to one side — discharging liquid on that side and pulling liquid in on the other side. When the shaft reaches the end of its stroke, the inner piston actuates the pilot spool, which pressurizes and exhausts the large end of the air valve spool. The repositioning of the air valve spool routes the air to the other air chamber.

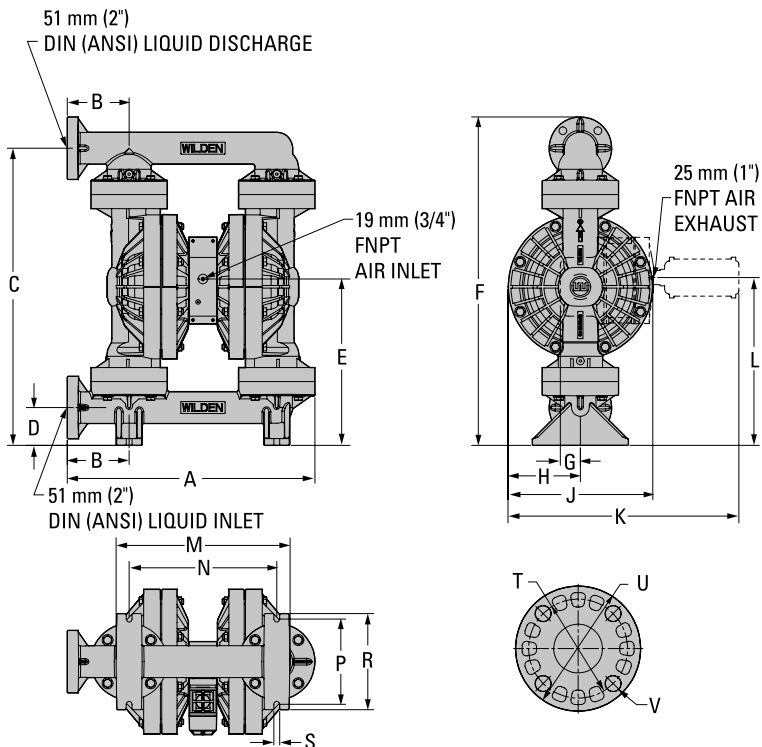
P800 Plastic Side-Ported



DIMENSIONS

ITEM	METRIC (mm)	STANDARD (inch)
A	605	23.8
B	150	5.9
C	91	3.6
D	729	28.7
E	401	15.8
F	805	31.7
G	353	13.9
H	508	20.0
J	406	16.0
K	84	3.3
L	122	4.8
M	424	16.7
N	361	14.2
P	208	8.2
R	234	9.2
S	15	0.6
DIN FLANGE		
T	125 DIA.	4.9 DIA.
U	165 DIA.	6.5 DIA.
V	18 DIA.	0.7 DIA.
ANSI FLANGE		
T	121 DIA.	4.8 DIA.
U	152 DIA.	6.0 DIA.
V	19 DIA.	0.8 DIA.

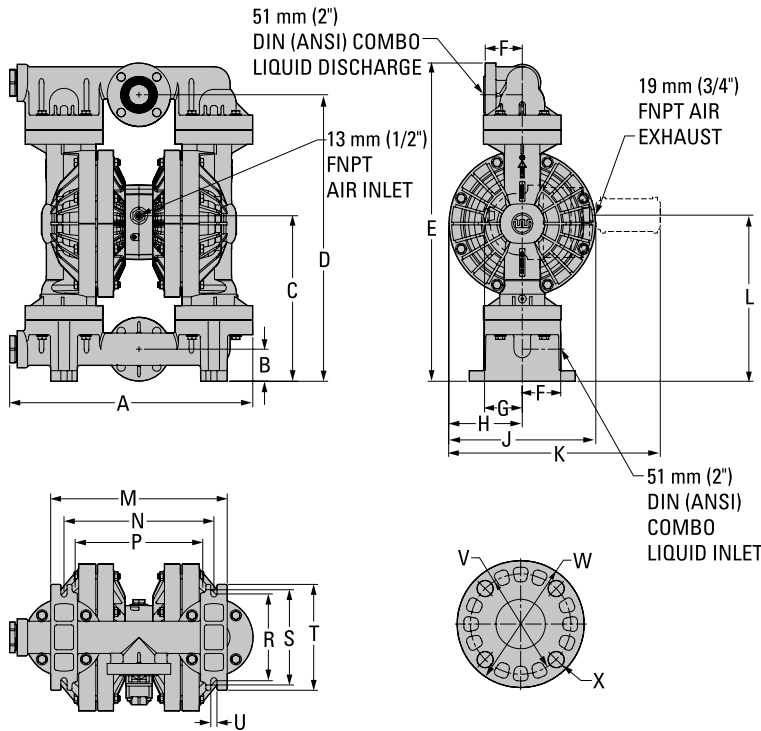
PV800 Plastic Side-Ported



DIMENSIONS

ITEM	METRIC (mm)	STANDARD (inch)
A	605	23.8
B	150	5.9
C	729	28.7
D	91	3.6
E	406	16.0
F	805	31.7
G	48	1.9
H	178	7.0
J	353	13.9
K	564	22.2
L	409	16.1
M	424	16.7
N	361	14.2
P	208	8.2
R	234	9.2
S	15	0.6
DIN FLANGE		
T	125 DIA.	4.9 DIA.
U	165 DIA.	6.5 DIA.
V	18 DIA.	0.7 DIA.
ANSI FLANGE		
T	121 DIA.	4.8 DIA.
U	152 DIA.	6.0 DIA.
V	19 DIA.	0.8 DIA.

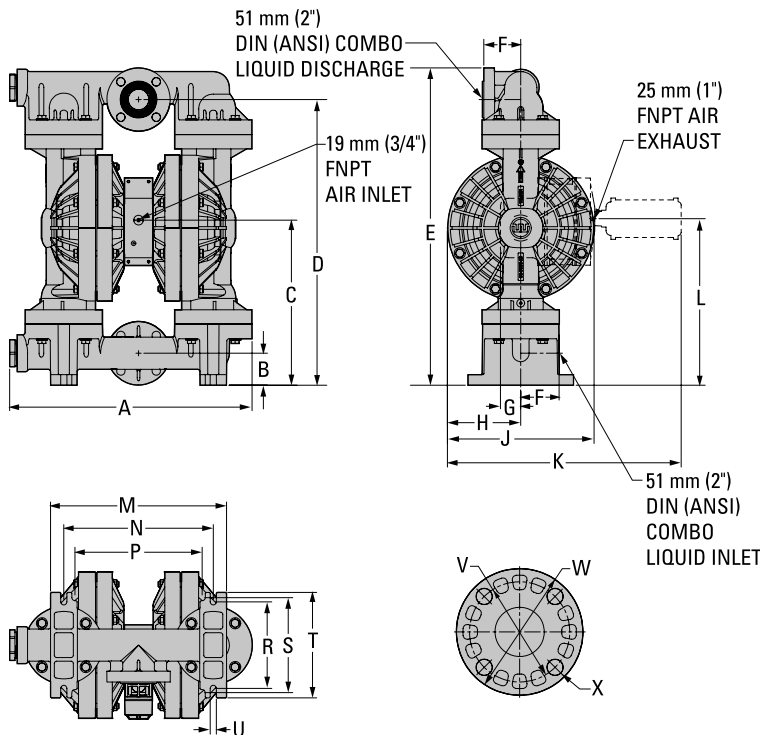
P800 Plastic Center-Ported



DIMENSIONS

ITEM	METRIC (mm)	STANDARD (inch)
A	584	23.0
B	76	3.0
C	396	15.6
D	688	27.1
E	765	30.1
F	89	3.5
G	91	3.6
H	175	6.9
J	353	13.9
K	508	20.0
L	399	15.7
M	424	16.7
N	361	14.2
P	307	12.1
R	208	8.2
S	229	9.0
T	254	10.0
U	15	0.6
DIN / ANSI COMBO		
V	152 DIA.	6.0 DIA.
W	122 DIA.	4.8 DIA.
X	20 DIA.	0.8 DIA.

PV800 Plastic Center-Ported



DIMENSIONS

ITEM	METRIC (mm)	STANDARD (inch)
A	584	23.0
B	76	3.0
C	396	15.6
D	688	27.1
E	765	30.1
F	89	3.5
G	48	1.9
H	178	7.0
J	353	13.9
K	564	22.2
L	401	15.8
M	424	16.7
N	361	14.2
P	307	12.1
R	208	8.2
S	229	9.0
T	254	10.0
U	15	0.6
DIN / ANSI COMBO		
V	152 DIA.	6.0 DIA.
W	122 DIA.	4.8 DIA.
X	20 DIA.	0.8 DIA.



PERFORMANCE

P800 PLASTIC RUBBER-FITTED

Height804 mm (31.7")
 Width 604 mm (23.8")
 Depth 353 mm (13.9")
 Est. Ship Weight
 Polypropylene 32 kg (70 lbs)
 PVDF 45 kg (99 lbs)
 Air Inlet 13 mm (1/2")
 Inlet 51 mm (2")
 Outlet 51 mm (2")
 Suction Lift 6.23 m Dry (20.4')
 8.65 m Wet (28.4')
 Displacement/Stroke 2.75 l (0.727 gal.)¹
 Max. Flow Rate 624 lpm (165 gpm)
 Max. Size Solids.....6.4 mm (1/4")

¹Displacement per stroke was calculated at 4.8 Bar (70 psig) air inlet pressure against a 2 bar (30 psig) head pressure.

Example: To pump 246 lpm (65 gpm) against a discharge head pressure of 2.8 Bar (40 psig) requires 4.1 bar (60 psig) and 85 Nm³/h (50 scfm) air consumption. (See dot on chart.)

Caution: Do not exceed 8.6 bar (125 psig) air supply pressure.

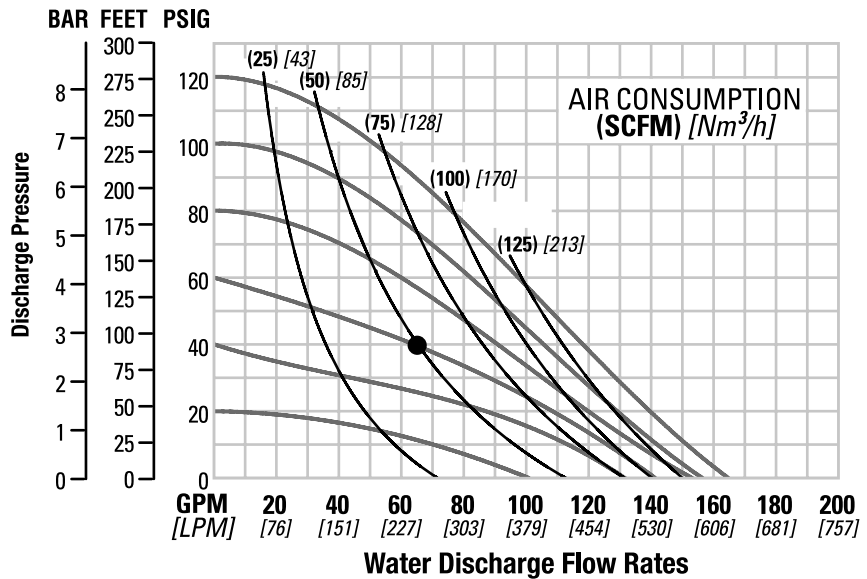
P800 PLASTIC TPE-FITTED

Height804 mm (31.7")
 Width 604 mm (23.8")
 Depth 353 mm (13.9")
 Est. Ship Weight
 Polypropylene 32 kg (70 lbs)
 PVDF 45 kg (99 lbs)
 Air Inlet 13 mm (1/2")
 Inlet 51 mm (2")
 Outlet 51 mm (2")
 Suction Lift 5.54 m Dry (18.16')
 5.19 m Wet (17.0')
 Displacement/Stroke 2.78 l (0.735 gal.)¹
 Max. Flow Rate 615 lpm (162 gpm)
 Max. Size Solids.....6.4 mm (1/4")

¹Displacement per stroke was calculated at 4.8 bar (70 psig) air inlet pressure against a 2 bar (30 psig) head pressure.

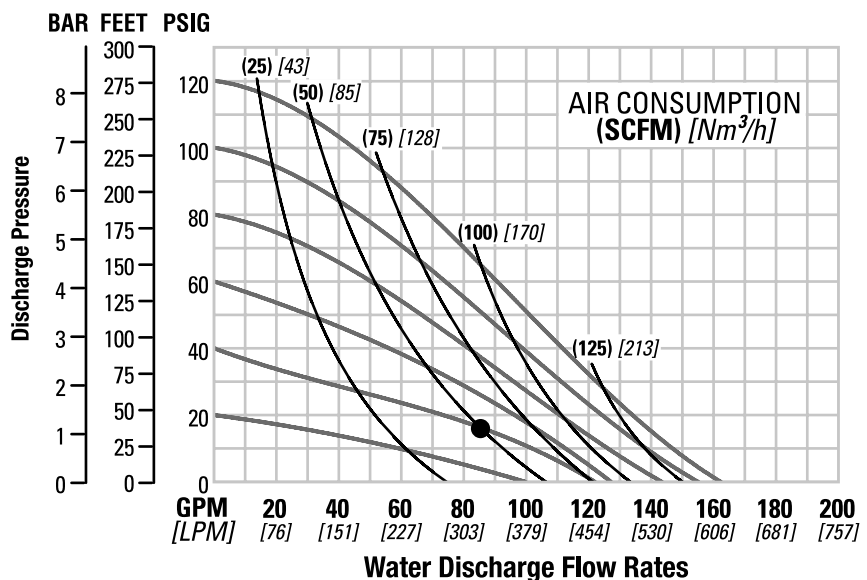
Example: To pump 321.8 lpm (85 gpm) against a discharge head pressure of 1.2 bar (17 psig) requires 2.8 bar (40 psig) and 85 Nm³/h (50 scfm) air consumption. (See dot on chart.)

Caution: Do not exceed 8.6 bar (125 psig) air supply pressure.



Flow rates indicated on chart were determined by pumping water.

For optimum life and performance, pumps should be specified so that daily operation parameters will fall in the center of the pump performance curve.



Flow rates indicated on chart were determined by pumping water.

For optimum life and performance, pumps should be specified so that daily operation parameters will fall in the center of the pump performance curve.

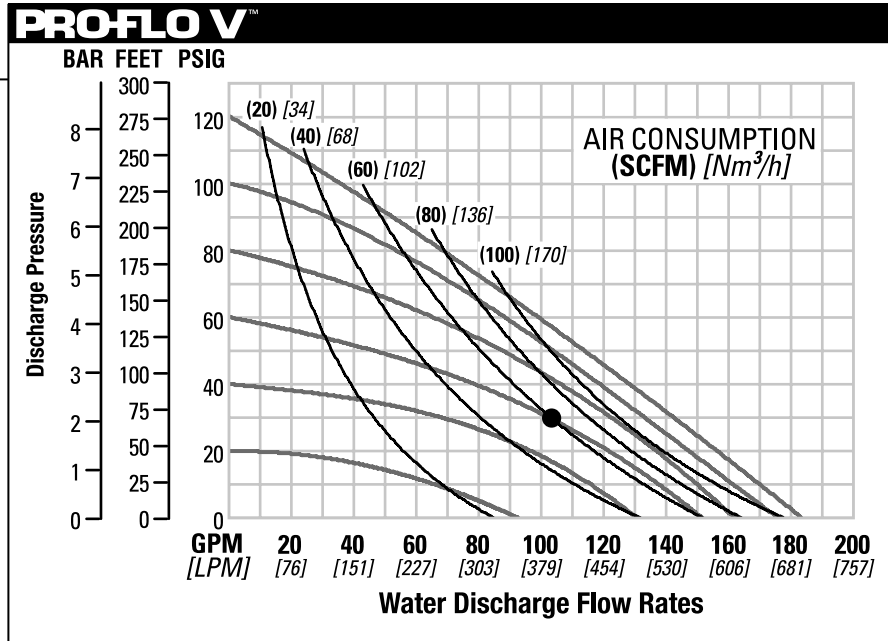
PV800 PLASTIC RUBBER-FITTED

Height805 mm (31.7")
 Width 605 mm (23.8")
 Depth 353 mm (13.9")
 Est. Ship Weight
 Polypropylene 45 kg (100 lbs)
 PVDF 59 kg (131 lbs)
 Air Inlet19 mm (3/4")
 Inlet 51 mm (2")
 Outlet 51 mm (2")
 Suction Lift 6.2 m Dry (20.4')
 9.3 m Wet (30.6')
 Displacement/Stroke 2.76 l (0.73 gal.)¹
 Max. Flow Rate 702 lpm (186 gpm)
 Max. Size Solids..... 6.4 mm (1/4")

¹Displacement per stroke was calculated at 4.8 bar (70 psig) air inlet pressure against a 2 bar (30 psig) head pressure.

Example: To pump 390 lpm (103 gpm) against a discharge pressure head of 2.1 bar (30 psig) requires 4.1 bar (60 psig) and 102 Nm³/h (60 scfm) air consumption. (See dot on chart.)

Caution: Do not exceed 8.6 bar (125 psig) air supply pressure.



Flow rates indicated on chart were determined by pumping water.

For optimum life and performance, pumps should be specified so that daily operation parameters will fall in the center of the pump performance curve.

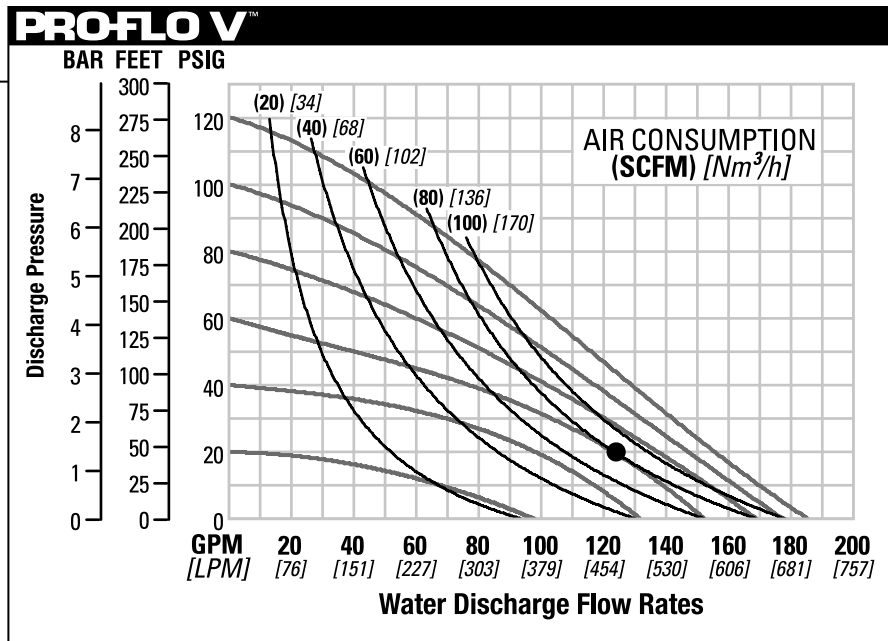
PV800 PLASTIC TPE-FITTED

Height805 mm (31.7")
 Width 605 mm (23.8")
 Depth 353 mm (13.9")
 Est. Ship Weight
 Polypropylene 45 kg (100 lbs)
 PVDF 59 kg (131 lbs)
 Air Inlet19 mm (3/4")
 Inlet 51 mm (2")
 Outlet 51 mm (2")
 Suction Lift6.6 m Dry (21.6')
 9.3 m Wet (30.6')
 Displacement/Stroke 2.84 l (0.75 gal.)¹
 Max. Flow Rate 702 lpm (185 gpm)
 Max. Size Solids..... 6.4 mm (1/4")

¹Displacement per stroke was calculated at 4.8 bar (70 psig) air inlet pressure against a 2 bar (30 psig) head pressure.

Example: To pump 466 lpm (123 gpm) against a discharge pressure head of 1.4 bar (20 psig) requires 4.1 bar (60 psig) and 136 Nm³/h (80 scfm) air consumption. (See dot on chart.)

Caution: Do not exceed 8.6 bar (125 psig) air supply pressure.



Flow rates indicated on chart were determined by pumping water.

For optimum life and performance, pumps should be specified so that daily operation parameters will fall in the center of the pump performance curve.

PV800 PLASTIC PTFE-FITTED

Height805 mm (31.7")
 Width 605 mm (23.8")
 Depth 353 mm (13.9")
 Est. Ship Weight
 Polypropylene 45 kg (100 lbs)
 PVDF 59 kg (131 lbs)
 Air Inlet19 mm (3/4")
 Inlet 51 mm (2")
 Outlet 51 mm (2")
 Suction Lift 4.1 m Dry (13.6')
 9.3 m Wet (30.6')
 Displacement/Stroke1.85 l (0.49 gal.)¹
 Max. Flow Rate 586 lpm (155 gpm)
 Max. Size Solids..... 6.4 mm (1/4")

¹Displacement per stroke was calculated at 4.8 bar (70 psig) air inlet pressure against a 2 bar (30 psig) head pressure.

Example: To pump 114 lpm (30 gpm) against a discharge pressure head of 2.4 bar (35 psig) requires 2.8 bar (40 psig) and 34 Nm³/h (20 scfm) air consumption. (See dot on chart.)

Caution: Do not exceed 8.6 bar (125 psig) air supply pressure.

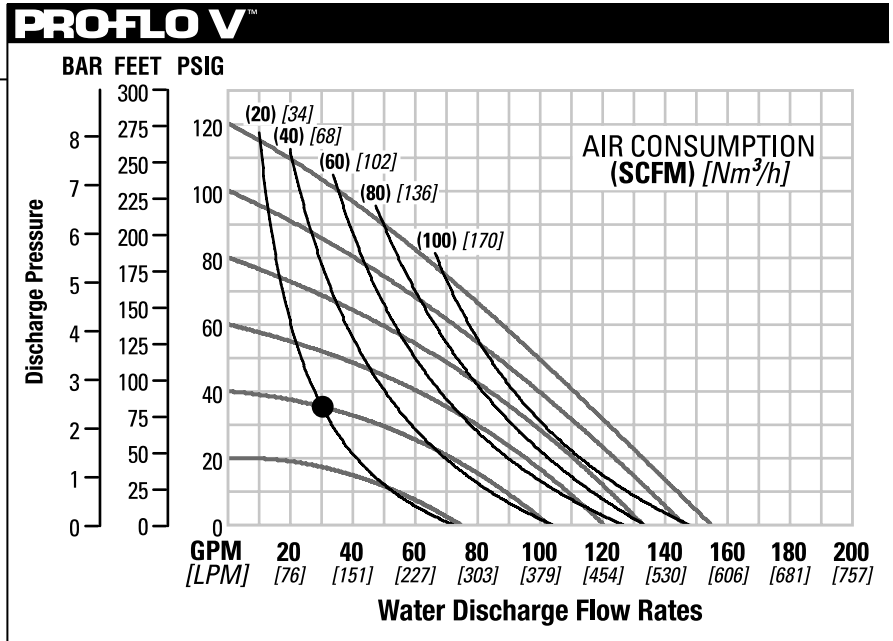
PV800 PLASTIC ULTRA-FLEX™-FITTED

Height805 mm (31.7")
 Width 605 mm (23.8")
 Depth 353 mm (13.9")
 Est. Ship Weight
 Polypropylene 45 kg (100 lbs)
 PVDF 59 kg (131 lbs)
 Air Inlet19 mm (3/4")
 Inlet 51 mm (2")
 Outlet 51 mm (2")
 Suction Lift 4.1 m Dry (13.6')
 9.3 m Wet (30.6')
 Displacement/Stroke1.97 l (0.52 gal.)¹
 Max. Flow Rate 637 lpm (168 gpm)
 Max. Size Solids..... 6.4 mm (1/4")

¹Displacement per stroke was calculated at 4.8 bar (70 psig) air inlet pressure against a 2 bar (30 psig) head pressure.

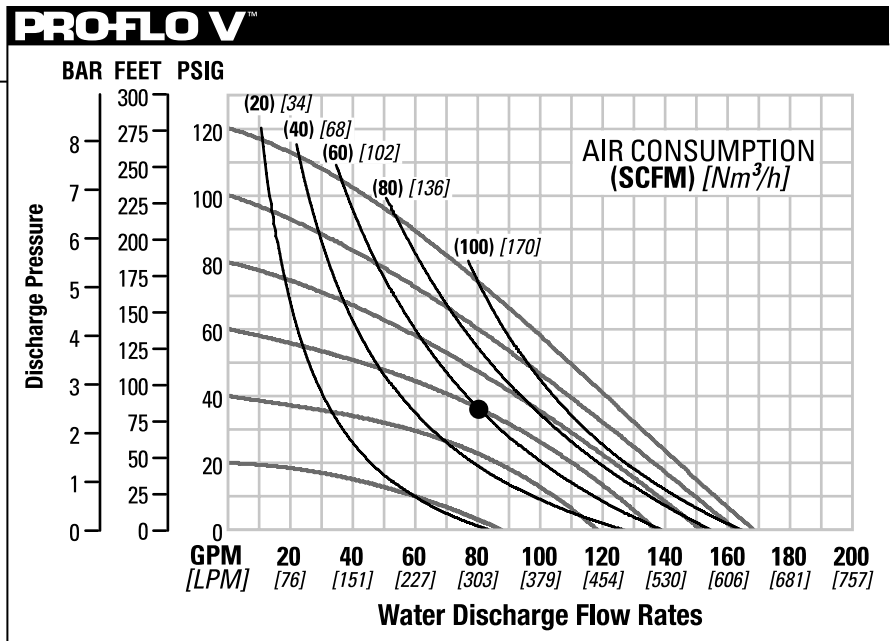
Example: To pump 303 lpm (80 gpm) against a discharge pressure head of 2.5 bar (36 psig) requires 4.1 bar (60 psig) and 102 Nm³/h (60 scfm) air consumption. (See dot on chart.)

Caution: Do not exceed 8.6 bar (125 psig) air supply pressure.



Flow rates indicated on chart were determined by pumping water.

For optimum life and performance, pumps should be specified so that daily operation parameters will fall in the center of the pump performance curve.

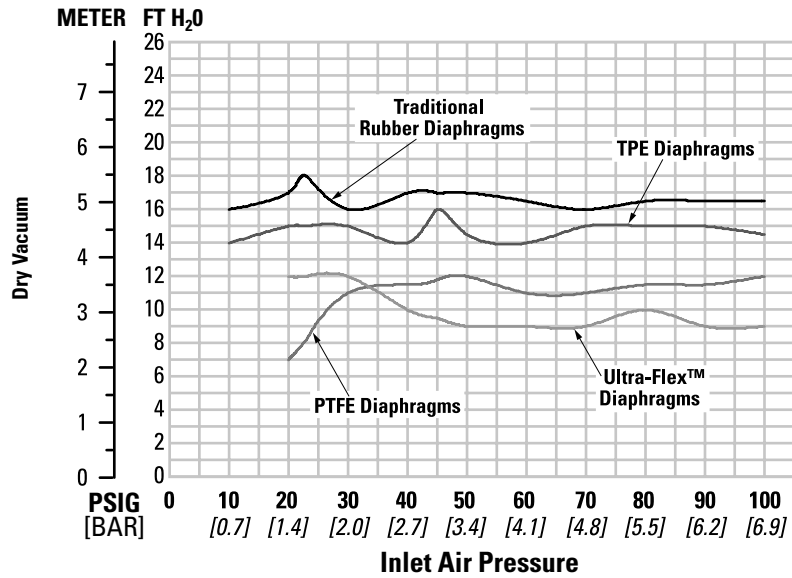


Flow rates indicated on chart were determined by pumping water.

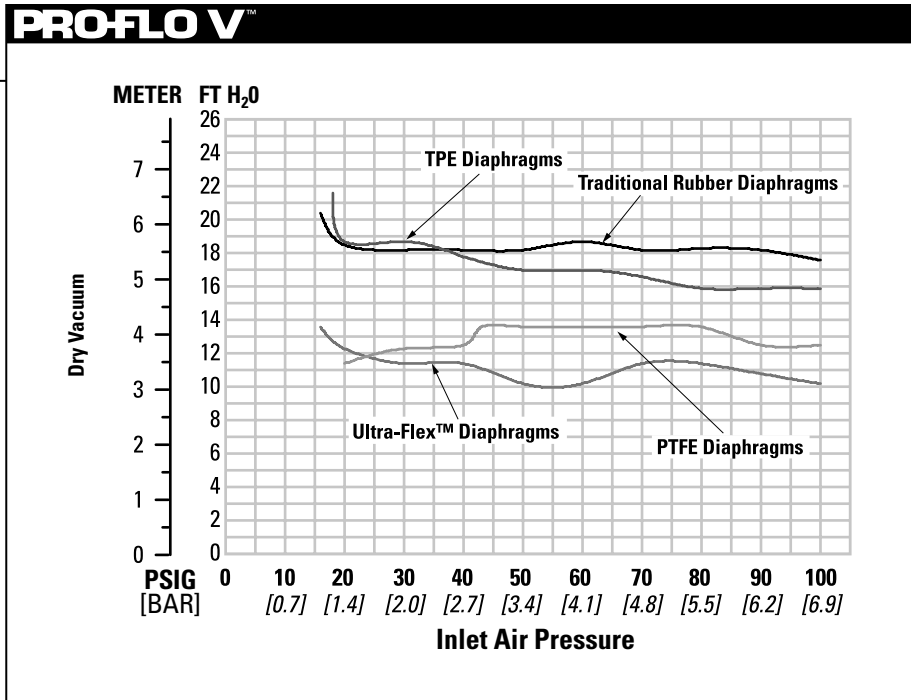
For optimum life and performance, pumps should be specified so that daily operation parameters will fall in the center of the pump performance curve.

SUCTION LIFT CURVES

**P800 PLASTIC
SUCTION LIFT CAPABILITY**



**PV800 PLASTIC
SUCTION LIFT CAPABILITY**



SUGGESTED INSTALLATION

Wilden pumps are designed to meet the performance requirements of even the most demanding pumping applications. They have been designed and manufactured to the highest standards and are available in a variety of liquid path materials to meet your chemical resistance needs. Refer to the performance section of this manual for an in-depth analysis of the performance characteristics of your pump. Wilden offers the widest variety of elastomer options in the industry to satisfy temperature, chemical compatibility, abrasion resistance and flex concerns.

The suction pipe size should be at least the equivalent or larger than the diameter size of the suction inlet on your Wilden pump. The suction hose must be non-collapsible, reinforced type as these pumps are capable of pulling a high vacuum. Discharge piping should also be the equivalent or larger than the diameter of the pump discharge which will help reduce friction losses. It is critical that all fittings and connections are airtight or a reduction or loss of pump suction capability will result.

INSTALLATION: Months of careful planning, study, and selection efforts can result in unsatisfactory pump performance if installation details are left to chance.

Premature failure and long term dissatisfaction can be avoided if reasonable care is exercised throughout the installation process.

LOCATION: Noise, safety, and other logistical factors usually dictate where equipment will be situated on the production floor. Multiple installations with conflicting requirements can result in congestion of utility areas, leaving few choices for additional pumps.

Within the framework of these and other existing conditions, every pump should be located in such a way that six key factors are balanced against each other to maximum advantage.

ACCESS: First of all, the location should be accessible. If it's easy to reach the pump, maintenance personnel will have an easier time carrying out routine inspections and adjustments. Should major repairs become necessary, ease of access can play a key role in speeding the repair process and reducing total downtime.

AIR SUPPLY: Every pump location should have an air line large enough to supply the volume of air necessary to achieve the desired pumping rate. Use air pressure up to a maximum of 8.6 bar (125 psig) depending on pumping requirements.

For best results, the pumps should use a 5 μ (micron) air filter, needle valve and regulator. The use of an air filter before the pump will ensure that the majority of any pipeline contaminants will be eliminated.

SOLENOID OPERATION: When operation is controlled by a solenoid valve in the air line, three-way valves should be used. This valve allows trapped air between the valve and the pump to bleed off which improves pump performance. Pumping volume can be estimated by counting the number of strokes per minute and then multiplying the figure by the displacement per stroke.

MUFFLER: Sound levels are reduced below OSHA specifications using the standard Wilden muffler. Other

mufflers can be used to further reduce sound levels, but they usually reduce pump performance.

ELEVATION: Selecting a site that is well within the pump's dynamic lift capability will assure that loss-of-prime issues will be eliminated. In addition, pump efficiency can be adversely affected if proper attention is not given to site location.

PIPING: Final determination of the pump site should not be made until the piping challenges of each possible location have been evaluated. The impact of current and future installations should be considered ahead of time to make sure that inadvertent restrictions are not created for any remaining sites.

The best choice possible will be a site involving the shortest and straightest hook-up of suction and discharge piping. Unnecessary elbows, bends, and fittings should be avoided. Pipe sizes should be selected to keep friction losses within practical limits. All piping should be supported independently of the pump. In addition, the piping should be aligned to avoid placing stress on the pump fittings.

Flexible hose can be installed to aid in absorbing the forces created by the natural reciprocating action of the pump. If the pump is to be bolted down to a solid location, a mounting pad placed between the pump and the foundation will assist in minimizing pump vibration. Flexible connections between the pump and rigid piping will also assist in minimizing pump vibration. If quick-closing valves are installed at any point in the discharge system, or if pulsation within a system becomes a problem, a surge suppressor (SD Equalizer[®]) should be installed to protect the pump, piping and gauges from surges and water hammer.

If the pump is to be used in a self-priming application, make sure that all connections are airtight and that the suction lift is within the model's ability. Note: Materials of construction and elastomer material have an effect on suction lift parameters. Please refer to the performance section for specifics.

When pumps are installed in applications involving flooded suction or suction head pressures, a gate valve should be installed in the suction line to permit closing of the line for pump service.

Pumps in service with a positive suction head are most efficient when inlet pressure is limited to 0.5–0.7 bar (7–10 psig). Premature diaphragm failure may occur if positive suction is 0.7 bar (10 psig) and higher.

SUBMERSIBLE APPLICATIONS: Pro-Flo V[™] pumps can be used for submersible applications, when using the Pro-Flo V[™] submersible option. Turbo-Flo[™] pumps can also be used for submersible applications.

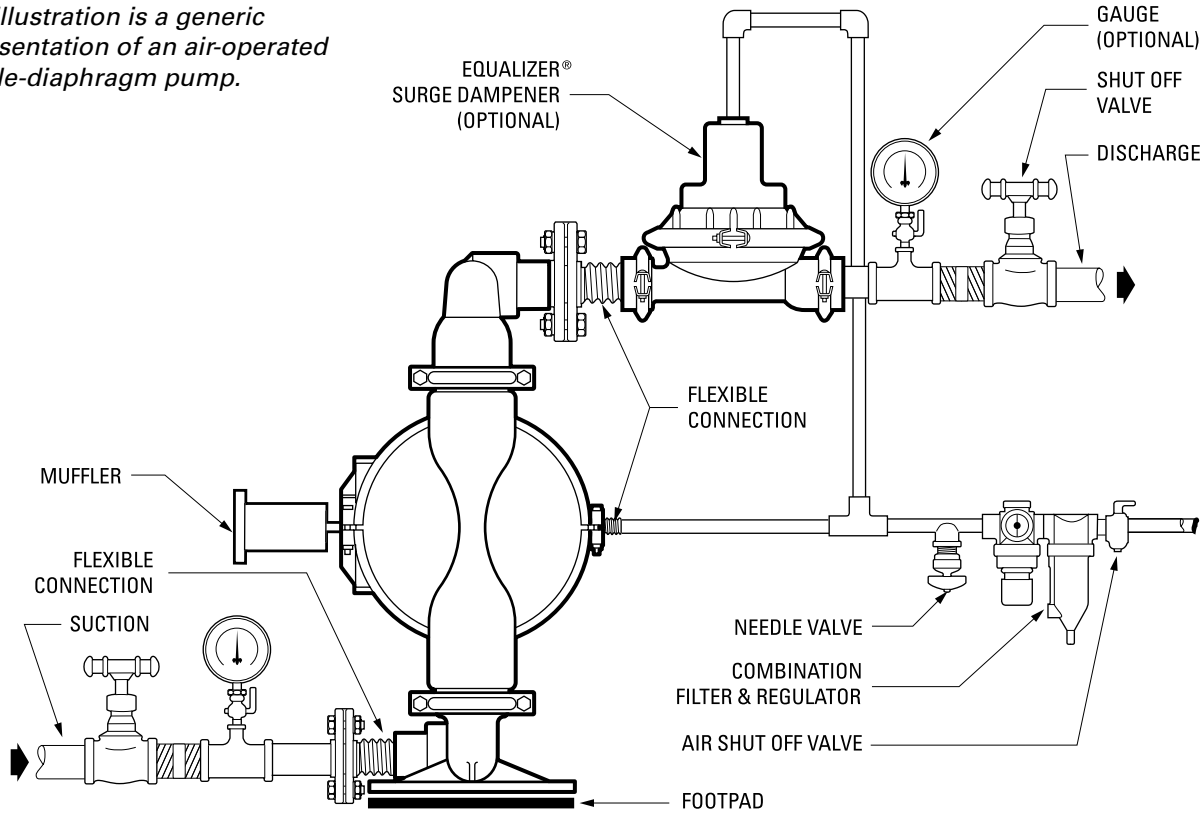
NOTE: Pro-Flo[®] and Accu-Flo[™] pumps are not submersible.

ALL WILDEN PUMPS ARE CAPABLE OF PASSING SOLIDS. A STRAINER SHOULD BE USED ON THE PUMP INTAKE TO ENSURE THAT THE PUMP'S RATED SOLIDS CAPACITY IS NOT EXCEEDED.

CAUTION: DO NOT EXCEED 8.6 BAR (125 PSIG) AIR SUPPLY PRESSURE.

SUGGESTED INSTALLATION

This illustration is a generic representation of an air-operated double-diaphragm pump.



NOTE: In the event of a power failure, the shut off valve should be closed, if the restarting of the pump is not desirable once power is regained.

AIR OPERATED PUMPS: To stop the pump from operating in an emergency situation, simply close the

shut off valve (user supplied) installed in the air supply line. A properly functioning valve will stop the air supply to the pump, therefore stopping output. This shut off valve should be located far enough away from the pumping equipment such that it can be reached safely in an emergency situation.

SUGGESTED OPERATION & MAINTENANCE

OPERATION: The P800 and PV800 are pre-lubricated, and do not require in-line lubrication. Additional lubrication will not damage the pump, however if the pump is heavily lubricated by an external source, the pump's internal lubrication may be washed away. If the pump is then moved to a non-lubricated location, it may need to be disassembled and re-lubricated as described in the ASSEMBLY/DISASSEMBLY INSTRUCTIONS.

Pump discharge rate can be controlled by limiting the volume and/or pressure of the air supply to the pump. An air regulator is used to regulate air pressure. A needle valve is used to regulate volume. Pump discharge rate can also be controlled by throttling the pump discharge by partially closing a valve in the discharge line of the pump. This action increases friction loss which reduces flow rate. (See Section 5.) This is useful when the need exists to control the pump from a remote location. When the pump discharge pressure equals or exceeds the air supply pressure, the pump will stop; no bypass or pressure relief valve is needed, and pump damage will not occur. The pump has reached a "deadhead" situation and can

be restarted by reducing the fluid discharge pressure or increasing the air inlet pressure. The Wilden P800 and PV800 pumps run solely on compressed air and do not generate heat, therefore your process fluid temperature will not be affected.

MAINTENANCE AND INSPECTIONS: Since each application is unique, maintenance schedules may be different for every pump. Frequency of use, line pressure, viscosity and abrasiveness of process fluid all affect the parts life of a Wilden pump. Periodic inspections have been found to offer the best means for preventing unscheduled pump downtime. Personnel familiar with the pump's construction and service should be informed of any abnormalities that are detected during operation.

RECORDS: When service is required, a record should be made of all necessary repairs and replacements. Over a period of time, such records can become a valuable tool for predicting and preventing future maintenance problems and unscheduled downtime. In addition, accurate records make it possible to identify pumps that are poorly suited to their applications.

TROUBLESHOOTING

Pump will not run or runs slowly.

1. Ensure that the air inlet pressure is at least 0.4 bar (5 psig) above startup pressure and that the differential pressure (the difference between air inlet and liquid discharge pressures) is not less than 0.7 bar (10 psig).
2. Check air inlet filter for debris (see recommended installation).
3. Check for extreme air leakage (blow by) which would indicate worn seals/bores in the air valve, pilot spool, main shaft.
4. Disassemble pump and check for obstructions in the air passageways or objects which would obstruct the movement of internal parts.
5. Check for sticking ball check valves. If material being pumped is not compatible with pump elastomers, swelling may occur. Replace ball check valves and seals with proper elastomers. Also, as the check valve balls wear out, they become smaller and can become stuck in the seats. In this case, replace balls and seats.
6. Check for broken inner piston which will cause the air valve spool to be unable to shift.
7. Remove plug from pilot spool exhaust.

Pump runs but little or no product flows.

1. Check for pump cavitation; slow pump speed down to allow thick material to flow into liquid chambers.

2. Verify that vacuum required to lift liquid is not greater than the vapor pressure of the material being pumped (cavitation).
3. Check for sticking ball check valves. If material being pumped is not compatible with pump elastomers, swelling may occur. Replace ball check valves and seats with proper elastomers. Also, as the check valve balls wear out, they become smaller and can become stuck in the seats. In this case, replace balls and seats.

Pump air valve freezes.

1. Check for excessive moisture in compressed air. Either install a dryer or hot air generator for compressed air. Alternatively, a coalescing filter may be used to remove the water from the compressed air in some applications.

Air bubbles in pump discharge.

1. Check for ruptured diaphragm.
2. Check tightness of outer pistons (refer to Section 7).
3. Check tightness of fasteners and integrity of o-rings and seals, especially at intake manifold.
4. Ensure pipe connections are airtight.

Product comes out air exhaust.

1. Check for diaphragm rupture.
2. Check tightness of outer pistons to shaft.

PUMP DISASSEMBLY

Tools Required:

- 3/4" Wrench
- Adjustable Wrench
- Vise equipped w/soft jaws (such as plywood, plastic or other suitable material)

CAUTION: Before any maintenance or repair is attempted, the compressed air line to the pump should be disconnected and all air pressure allowed to bleed from the pump. Disconnect all intake, discharge, and air lines. Drain the pump by turning it upside down and allowing any fluid to flow into a suitable container. Be aware of any hazardous effects of contact with your process fluid.

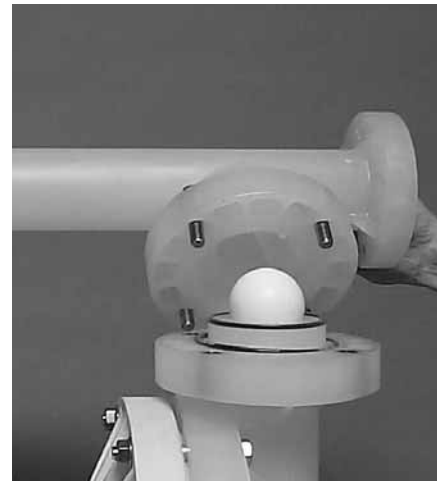
NOTE: The model photographed for these instructions incorporates PTFE diaphragms, balls, and seats. Models with rubber diaphragms, balls and seats are the same except where noted.

**Step 1**

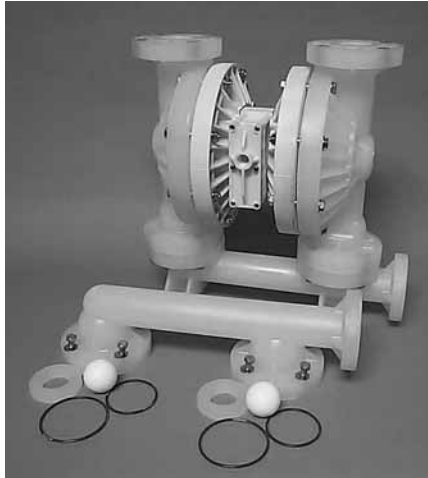
Please note alignment marks on liquid chambers. Use to properly align center section with liquid chamber.

**Step 2**

Using a 3/4" wrench, loosen the discharge manifold from the liquid chambers.

**Step 3**

Remove the discharge manifold to expose the valve balls, valve seats and valve seat o-rings.



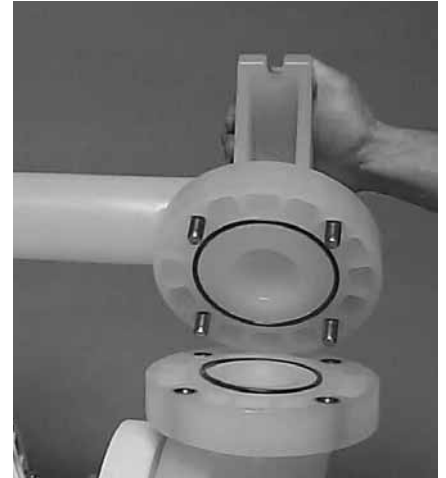
Step 4

Inspect valve balls, valve seats, and valve seat o-rings for nicks, gouges, chemical attack or abrasive wear.



Step 5

Using a 3/4" wrench, loosen the inlet manifold from the liquid chambers.



Step 6

Remove the inlet manifold, valve balls, valve seats and valve seat o-rings and inspect for nicks, gouges, chemical attack or abrasive wear.



Step 7

Using a 3/4" wrench, remove the liquid chamber fasteners that secure the liquid chamber to the center section.



Step 8

Remove the liquid chamber to expose the diaphragm and outer piston.



Step 9

Using two adjustable wrenches, or rotating both diaphragms by hand (counterclockwise), remove the diaphragm assembly from the center section assembly.

PUMP DISASSEMBLY



Step 10

Due to varying torque values, one of the following two situations may occur:

- 1) The outer piston, diaphragm and inner piston remain attached to the shaft and the entire assembly can be removed from the center section.
- 2) The outer piston, diaphragm and inner piston separate from the shaft, which remains connected to the opposite side diaphragm assembly.



Step 11

Remove diaphragm assembly from shaft, secure shaft with soft jaws (a vise fitted with plywood, plastic or other suitable material) to ensure shaft is not nicked, scratched or gouged. Using an adjustable wrench or rotating counterclockwise by hand, remove diaphragm assembly from shaft.

AIR VALVE / CENTER SECTION DISASSEMBLY

Tools Required:

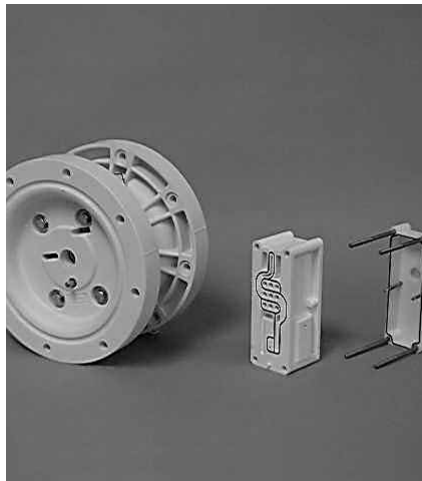
- 3/16" Wrench
- O-ring Pick

CAUTION: Before any maintenance or repair is attempted, the compressed air line to the pump should be disconnected and all air pressure allowed to bleed from the pump. Disconnect all intake, discharge, and air lines. Drain the pump by turning it upside down and allowing any fluid to flow into a suitable container. Be aware of hazardous effects of contact with your process fluid.



Step 1

Using a 3/16" hex head wrench, loosen air valve bolts.



Step 2

Remove muffer plate and air valve bolts from air valve assembly, exposing muffer gasket for inspection. Replace if necessary.



Step 3

Lift away air valve assembly and remove air valve gasket for inspection. Replace if necessary.

AIR VALVE / CENTER SECTION DISASSEMBLY



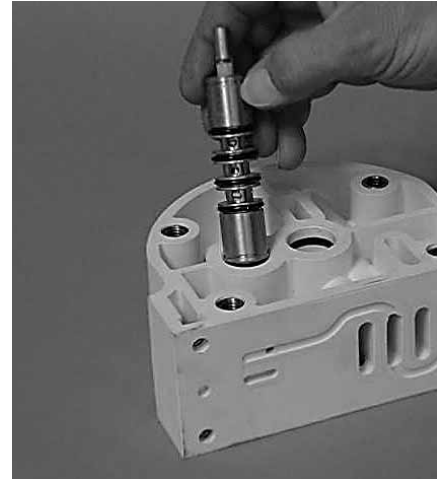
Step 4

Remove air valve end cap to expose air valve spool by simply lifting up on end cap once air valve bolts are removed. Note: Pro-Flo V™ air valve incorporates an end cap at both end of the air valve.



Step 5

Remove the air valve spool from the air valve body by threading one air valve bolt into the end of the air valve spool and gently sliding the spool out of the air valve body. Inspect seals for signs of wear and replace entire assembly if necessary. Use caution when handling air valve spool to prevent damaging seals. Note: Seals should not be removed from assembly. Seals are not sold separately.



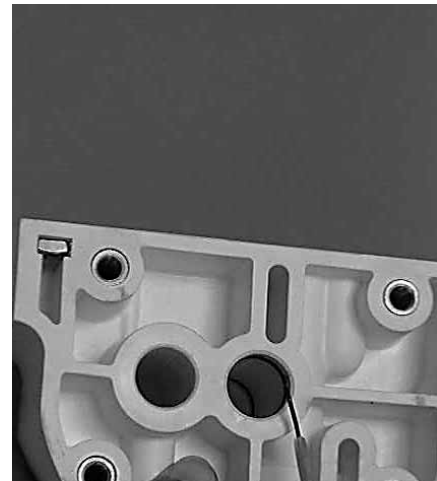
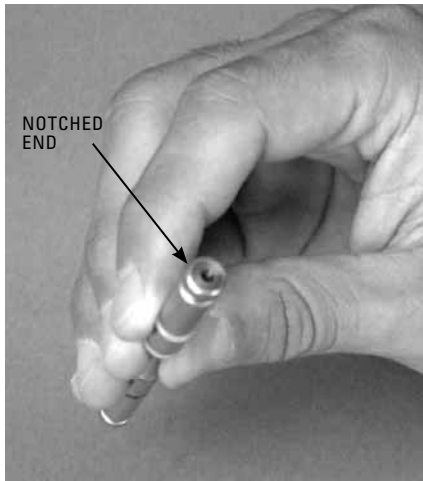
Step 6

Remove pilot sleeve from center section. To do so, the air chambers must be removed from the center block which will expose the pilot spool sleeve.



Step 7

Using an o-ring pick, gently remove the o-ring from the opposite side of the "notched end" on one side of the pilot spool. Gently remove the pilot spool from pilot spool sleeve and inspect for nicks, gouges and wear. Replace pilot sleeve or outer sleeve o-rings if necessary. During re-assembly, never insert the pilot spool into the sleeve with the "notched end" first, this end incorporates the urethane o-ring and will be damaged as it slides over the ports cut in the sleeve. Note: Seals should not be removed from pilot spool. Seals are not sold separately.



Step 8

Inspect center section seals for signs of wear. If necessary, remove seals with o-ring pick and replace.

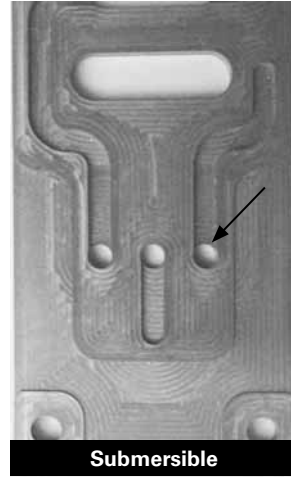


Step 1

Install a 1/4" NPT pipe plug (00-7010-08) into the pilot spool bleed port located at the front of the center block.



Non-Submersible



Submersible

Step 2

Next, install an optional submersible air valve gasket (04-2621-52). The submersible air valve gasket can be purchased as a spare part or included with the purchase of a new Pro-Flo V™ pump.

ASSEMBLY:

Upon performing applicable maintenance to the air distribution system, the pump can now be reassembled. Please refer to the disassembly instructions for photos and parts placement. To reassemble the pump, follow the disassembly instructions in reverse order. The air distribution system needs to be assembled first, then the diaphragms and finally the wetted path. Please find the applicable torque specifications on this page. The following tips will assist in the assembly process.

- Lubricate air valve bore, center section shaft and pilot spool bore with NLGI grade 2 white EP bearing grease or equivalent.
- Clean the inside of the center section shaft bore to ensure no damage is done to new seals.
- A small amount NLGI grade 2 white EP bearing grease can be applied to the muffler and air valve gaskets to locate gaskets during assembly.
- Make sure that the exhaust port on the muffler plate is centered between the two exhaust ports on the center section.
- Stainless bolts should be lubed to reduce the possibility of seizing during tightening.
- Use a mallet to tamp lightly on the large clamp bands to seat the diaphragm before tightening.

SHAFT SEAL INSTALLATION:

PRE-INSTALLATION

- Once all of the old seals have been removed, the inside of the bushing should be cleaned to ensure no debris is left that may cause premature damage to the new seals.

INSTALLATION

The following tools can be used to aid in the installation of the new seals:

- Needle Nose Pliers
- Phillips Screwdriver
- Electrical Tape

- Wrap electrical tape around each leg of the needle nose pliers (heat shrink tubing may also be used). This is done to prevent damaging the inside surface of the new seal.
- With a new seal in hand, place the two legs of the needle nose pliers inside the seal ring. (See Figure A.)
- Open the pliers as wide as the seal diameter will allow, then with two fingers pull down on the top portion of the seal to form kidney bean shape. (See Figure B.)
- Lightly clamp the pliers together to hold the seal into the kidney shape. Be sure to pull the seal into as tight of a kidney shape as possible, this will allow the seal to travel down the bushing bore easier.
- With the seal clamped in the pliers, insert the seal into the bushing bore and position the bottom of the seal into the correct groove. Once the bottom of the seal is seated in the groove, release the clamp pressure on the pliers. This will allow the seal to partially snap back to its original shape.
- After the pliers are removed, you will notice a slight bump in the seal shape. Before the seal can be properly resized, the bump in the seal should be removed as much as possible. This can be done with either the Phillips screwdriver or your finger. With either the side of the screwdriver or your finger, apply light pressure to the peak of the bump. This pressure will cause the bump to be almost completely eliminated.
- Lubricate the edge of the shaft with NLGI grade 2 white EP bearing grease.
- Slowly insert the center shaft with a rotating motion. This will complete the resizing of the seal.
- Perform these steps for the remaining seal.

PRO-FLO® MAXIMUM TORQUE SPECIFICATIONS

Description of Part	Torque
Pro-Flo® Air Valve Bolts	5.1 N•m (45 in-lbs)
Air Chamber to Center Block	47.5 N•m (35 ft-lbs)
Outer Piston, Ultra-Flex™	47.5 N•m (35 ft-lbs)
Outer Piston, Rubber & TPE	81.3 N•m (60 ft-lbs)
Manifold to Liquid Chamber	44.7 N•m (33 ft-lbs)
Liquid Chamber to Air Chamber	44.7 N•m (33 ft-lbs)

PRO-FLO V™ MAXIMUM TORQUE SPECIFICATIONS

Description of Part	Torque
Pro-Flo V™ Air Valve Bolts	13.6 N•m (120 in-lbs)
Air Chamber to Center Block	27.1 N•m (20 ft-lbs)
Outer Piston, Ultra-Flex™	47.5 N•m (35 ft-lbs)
Outer Piston, Rubber & TPE	81.3 N•m (60 ft-lbs)
Manifold to Liquid Chamber	44.7 N•m (33 ft-lbs)
Liquid Chamber to Air Chamber	44.7 N•m (33 ft-lbs)

Figure A

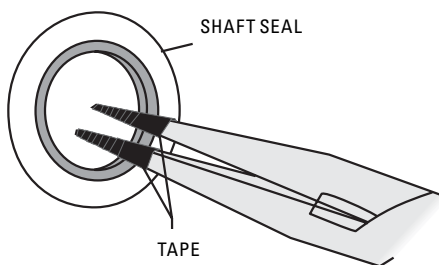
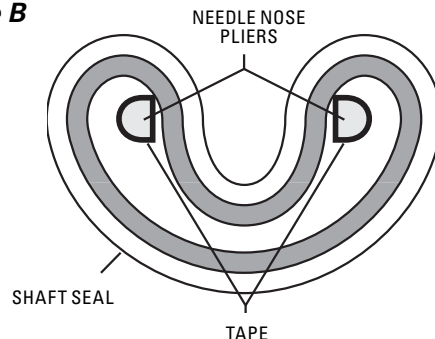


Figure B

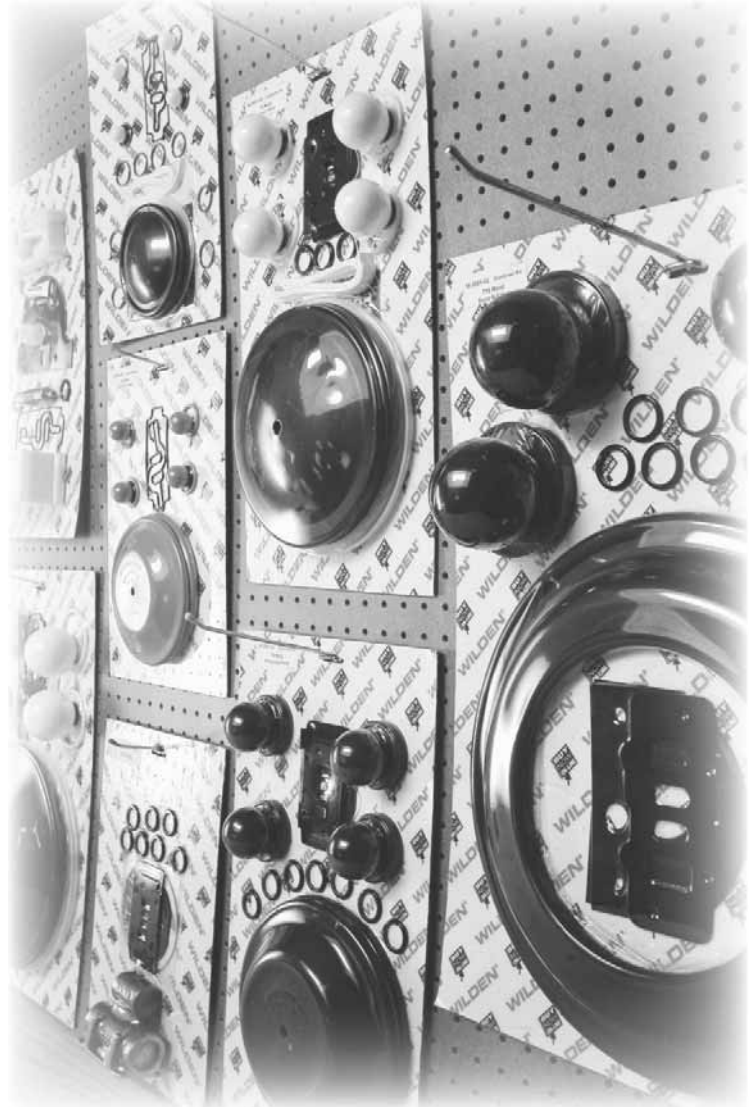


Elastomer Kits

Your Solutions — Wrapped Up

Program Details:

- **Elastomer & ADS Repair Kits**
- **All Sizes Available**
- **PTFE, Rubber & TPE Elastomers**
- **One Part Number Simplifies Inventory**
- **Eliminates Order Errors**
- **Reduces Re-Build Time**
- **Rejuvenates Your Pump**



NOTE: See Section 9.

WILDEN[®]

A DOVER COMPANY

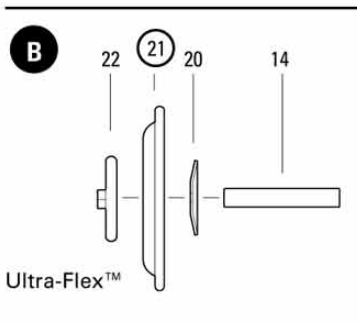
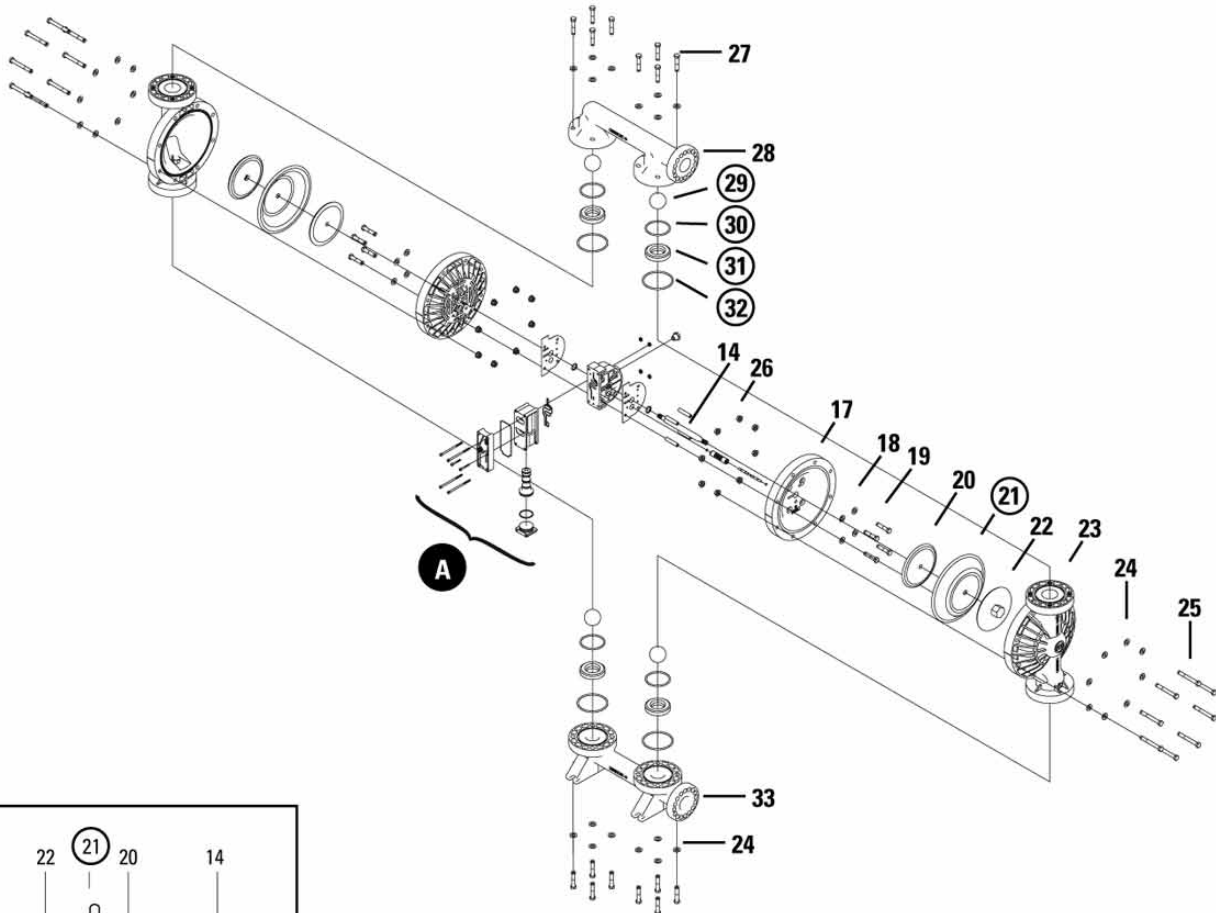
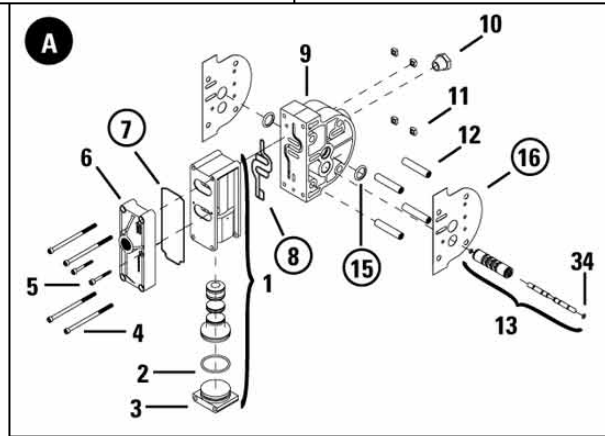
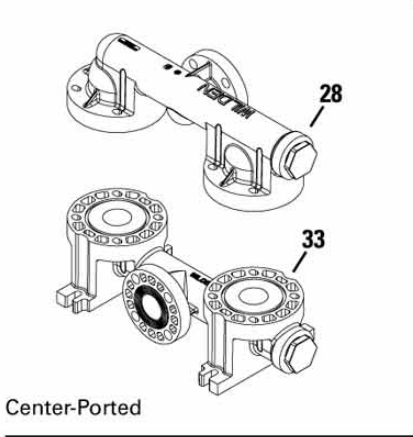
22069 VAN BUREN STREET • GRAND TERRACE, CA 92313-5607
(909) 422-1730 • FAX (909) 783-3440
www.wildenpump.com

EXPLODED VIEW AND PARTS LISTING

P800 PLASTIC

Rubber/TPE-Fitted

EXPLODED VIEW



ALL CIRCLED PART IDENTIFIERS ARE INCLUDED IN REPAIR KITS (see section 9).

EXPLODED VIEW AND PARTS LISTING

P800 PLASTIC

Rubber/TPE-Fitted

PARTS LISTING

No.	Part Description	Qty.	P800/PKPPP P/N	P800/KKPPP P/N	P800/PKPPP-0502 P/N	P800/KKPPP-0502 P/N
1	Pro-Flo® Air Valve Assembly¹	1	04-2000-20-700	04-2000-20-700	04-2000-20-700	04-2000-20-700
2	O-Ring (-225), End Cap (1.859" x .139")	1	04-2390-52-700	04-2390-52-700	04-2390-52-700	04-2390-52-700
3	End Cap, Pro-Flo®	1	04-2330-20-700	04-2330-20-700	04-2330-20-700	04-2330-20-700
4	Screw, SHC, 1/4-20x4.5"	4	01-6000-03	01-6000-03	01-6000-05	01-6000-05
5	Screw, SHCS, 10-16 x 1.75	2	04-6351-03	04-6351-03	04-6351-03	04-6351-03
6	Muffler Plate, Pro-Flo®	1	04-3180-20-700	04-3180-20-700	04-3180-20-7090	04-3180-20-700
7	Gasket, Muffler Plate	1	04-3500-52-700	04-3500-52-700	04-3500-52-700	04-3500-52-700
8	Gasket, Air Valve	1	04-2600-52-700	04-2600-52-700	04-2600-52-700	04-2600-52-700
9	Center Block	1	04-3110-20	04-3110-20	04-3110-20	04-3110-20
10	Bushing, Reducer	1	04-6950-20-700	04-6950-20-700	04-6950-20-700	04-6950-20-700
11	Nut, Square, 1/4"-20	4	00-6505-03	00-6505-03	00-6505-05	00-6505-05
12	Sleeve, Threaded, Pro-Flo® Center Block	4	04-7710-08	04-7710-08	04-7710-08	04-7710-08
13	Removable Pilot Sleeve Assembly	1	04-3882-99	04-3882-99	04-3882-99	04-3882-99
14	Shaft, Rubber/TPE	1	08-3811-09	08-3811-09	08-3811-09	08-3811-09
	Shaft, Ultra-Flex™	1	08-3843-03	08-3843-03	08-3843-03	08-3843-03
15	Glyd™ Ring	2	08-3210-55-225	08-3210-55-225	08-3210-55-225	08-3210-55-225
16	Gasket, Center Block, Pro-Flo®	2	04-3526-52	04-3526-52	04-3526-52	04-3526-52
17	Air Chamber, Pro-Flo®	2	08-3681-20	08-3681-20	08-3681-20	08-3681-20
18	Washer, Flat 3/8 x 13/32	8	04-6741-03	04-6741-03	04-6741-03	04-6741-03
19	Screw, HHC, 3/8"-16 x 1-1/4"	8	04-6190-03	04-6190-03	04-6190-03	04-6190-03
20	Inner Piston	2	08-3700-01	08-3700-01	08-3700-01	08-3700-01
	Inner Piston, Ultra-Flex®	2	08-3761-01	08-3761-01	08-3761-01	08-3761-01
21	Diaphragm	2	*	*	*	*
22	Outer Piston	2	08-4550-21-500	08-4550-21-500	08-4550-21-500	08-4550-21-500
	Outer Piston, Ultra-Flex™	2	08-4560-21	08-4560-21	08-4560-21	08-4560-21
23	Liquid Chamber	2	08-5005-20	08-5005-21	08-5005-20	08-5005-21
24	Washer, Plain	32	04-6730-03	04-6730-03	04-6730-05	04-6730-05
25	Screw, HHC 1/2-13 x 4.00	16	08-6191-03	08-6191-03	08-6191-05	08-6191-05
26	Nut, Hex Flange 1/2-13	16	08-6435-03	08-6435-03	08-6435-05	08-6435-05
27	Screw, HHC 1/2-13 x2	16	04-6210-03	04-6210-03	08-6181-05	08-6181-05
28	Manifold, Discharge ANSI, Side-Ported	1	08-5030-20	08-5030-21	08-5030-20	08-5030-21
	Manifold, Discharge DIN, Side Ported		08-5031-20	08-5031-21	08-5031-20	08-5031-21
	Manifold, Discharge, Center-Ported, Combo	1	08-5030-20-690	08-5030-21-690	08-5030-20-690	08-5030-21-690
29	Valve Ball	4	*	*	*	*
30	Valve Seat O-Ring (3.475" x .210")	4	*	*	*	*
31	Valve Seat	4	08-1125-20	08-1125-21	08-1125-20	08-1125-21
32	Manifold O-ring (4.350"x.210")	4	*	*	*	*
33	Manifold, Inlet ANSI, Side-Ported	1	08-5090-20	08-5090-21	08-5090-20	08-5090-21
	Manifold, Inlet DIN, Side Ported		08-5091-20	08-5091-21	08-5091-20	08-5091-21
	Manifold, Inlet, Center-Ported, Combo	1	08-5090-20-690	08-5090-21-690	08-5090-20-690	08-5090-21-690
34	Pilot Spool Retaining O-Ring	2	04-2650-49-700	04-2650-49-700	04-2650-49-700	04-2650-49-700

¹Air Valve Assembly includes items 2 and 3

²Refer to Elastomer Chart

0502 Specialty Code = PFA-Coated Hardware

0504 Specialty Code = DIN Flange

*Refer to Elastomer Chart

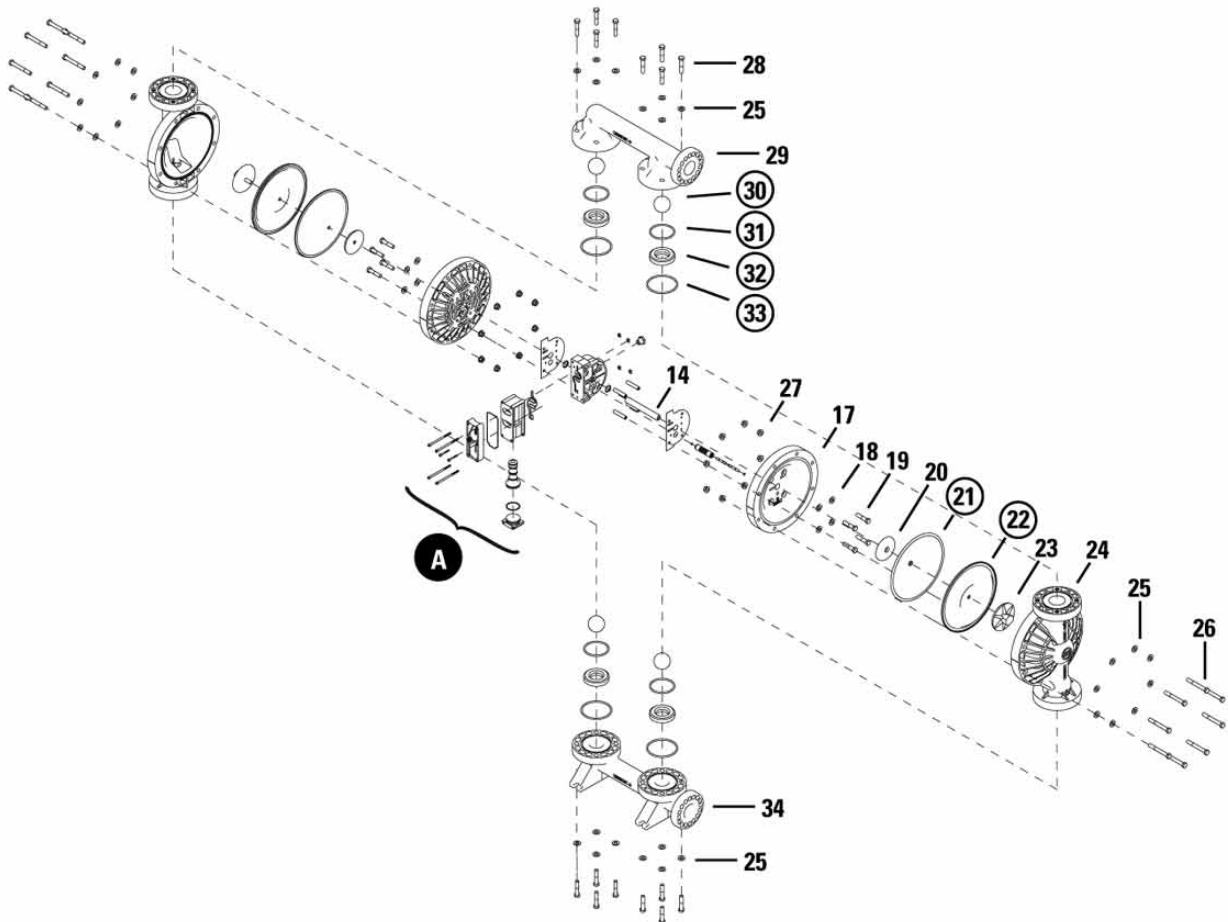
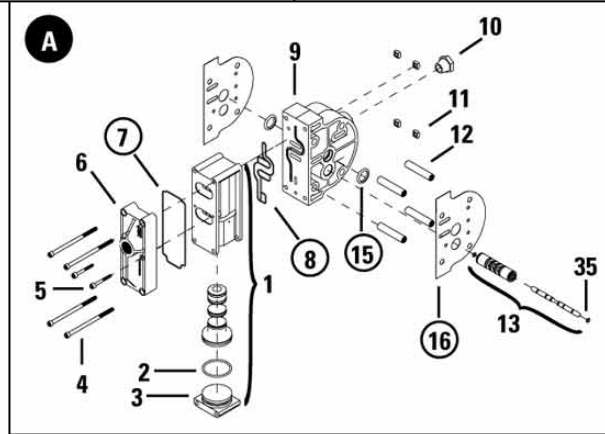
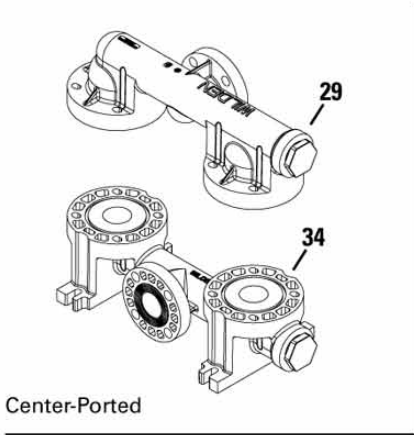
All boldface items are primary wear parts.

EXPLODED VIEW AND PARTS LISTING

P800 PLASTIC

PTFE-Fitted

EXPLODED VIEW



EXPLODED VIEW AND PARTS LISTING

P800 PLASTIC

PTFE-Fitted

PARTS LISTING

No.	Part Description	Qty.	P800/PKPPP P/N	P800/KKPPP P/N	P800/PKPPP-0502 P/N	P800/KKPPP-0502 P/N
1	Pro-Flo® Air Valve Assembly¹	1	04-2000-20-700	04-2000-20-700	04-2000-20-700	04-2000-20-700
2	O-Ring (-225), End Cap (1.859" x .139")	1	04-2390-52-700	04-2390-52-700	04-2390-52-700	04-2390-52-700
3	End Cap, Pro-Flo®	1	04-2330-20-700	04-2330-20-700	04-2330-20-700	04-2330-20-700
4	Screw, HHC, 1/4-20x4.5"	4	01-6000-03	01-6000-03	01-6000-05	01-6000-05
5	Screw, SHCS, 10-16 x 1.75"	2	04-6351-03	04-6351-03	04-6351-05	04-6351-05
6	Muffler Plate, Pro-Flo®	1	04-3180-20-700	04-3180-20-700	04-3180-20-700	04-3180-20-700
7	Gasket, Muffler Plate	1	04-3500-52-700	04-3500-52-700	04-3500-52-700	04-3500-52-700
8	Gasket, Air Valve	1	04-2600-52-700	04-2600-52-700	04-2600-52-700	04-2600-52-700
9	Center Block	1	04-3110-20	04-3110-20	04-3100-20	04-3110-20
10	Bushing, Reducer	1	04-6950-20-700	04-6950-20-700	04-6950-20-700	04-6950-20-700
11	Nut, Hex, 1/4"-20	4	00-6505-03	00-6505-03	00-6505-05	00-6505-05
12	Sleeve, Threaded, Pro-Flo® Center Block	4	04-7710-03	04-7710-03	04-7710-03	04-7710-03
13	Removable Pilot Sleeve Assembly	1	04-3882-99	04-3882-99	04-3882-99	04-3882-99
14	Shaft, PTFE	1	08-3842-03	08-3842-03	08-3842-03	08-3842-03
15	Glyd™ Ring	2	08-3210-55-225	08-3210-55-225	08-3210-55-225	08-3210-55-225
16	Gasket, Center Block, Pro-Flo®	2	04-3526-52	04-3526-52	04-3526-52	04-3526-52
17	Air Chamber, Pro-Flo®	2	08-3681-20	08-3681-20	08-3681-20	08-3681-20
18	Washer, flat 3/8 x 13/32	8	04-6741-03	04-6741-03	04-6741-03	04-6741-03
19	Screw, HHC, 3/8"-16 x 1-1/4"	8	04-6190-03	04-6190-03	04-6190-03	04-6190-03
20	Inner Piston	2	08-3750-01	08-3750-01	08-3750-01	08-3750-01
21	Diaphragm, Back-up	2	08-1060-51	08-1060-51	08-1060-51	08-1060-51
22	Diaphragm	2	08-1010-55	08-1010-55	08-1010-55	08-1010-55
23	Outer Piston	2	08-4600-21-500	08-4600-21-500	08-4600-21-500	08-4600-21-500
24	Liquid Chamber	2	08-5005-20	08-5005-21	08-5005-20	08-5005-21
25	Washer, Plain	32	04-6730-03	04-6730-03	04-6730-05	04-6730-05
26	Screw, HHC, 1/2-13 x 4.00	16	08-6191-03	08-6191-03	08-6191-05	08-6191-05
27	Nut, Hex Flange 1/2-13	16	08-6435-03	08-6435-03	08-6435-05	08-6435-05
28	Screw, HHC, 1/2-13 x 2	16	04-6210-03	04-6210-03	08-6181-05	08-6181-05
29	Manifold, Discharge ANSI, Side-Ported	1	08-5030-20	08-5030-21	08-5030-20	08-5030-21
	Manifold, Discharge DIN, Side-Ported	1	08-5031-20	08-5031-21	08-5031-20	08-5031-21
	Manifold, Discharge, Center-Ported, Combo	1	08-5030-20-690	08-5030-21-690	08-5030-20-690	08-5030-21-690
30	Valve Ball	4	08-1080-55	08-1080-55	08-1080-55	08-1080-55
31	Valve Seat, O-Ring (3.475" x .210")	4	08-1205-60	08-1205-60	08-1205-60	08-1205-60
32	Valve Seat	4	08-1125-20	08-1125-21	08-1125-20	08-1125-21
33	Manifold O-Ring (4.350" x .210")	4	08-1371-60	08-1371-60	08-1371-60	08-1371-60
34	Manifold, Inlet ANSI, Side-Ported	1	08-5090-20	08-5090-21	08-5090-20	08-5090-21
	Manifold, Inlet DIN, Side-Ported	1	08-5091-20	08-5010-21	08-5091-20	08-5010-21
	Manifold, Inlet, Center-Ported, Combo	1	08-5090-20-690	08-5090-21-690	08-5090-20-690	08-5090-21-690
35	Pilot Spool Retaining O-Ring	2	04-2650-49-700	04-2650-49-700	04-2650-49-700	04-2650-49-700

¹Air Valve Assembly includes item numbers 2 and 3

0502 Specialty Code = PFA-Coated Hardware

0504 Specialty Code = DIN Flange

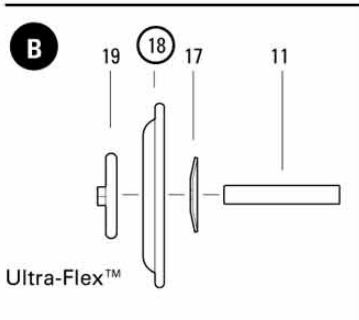
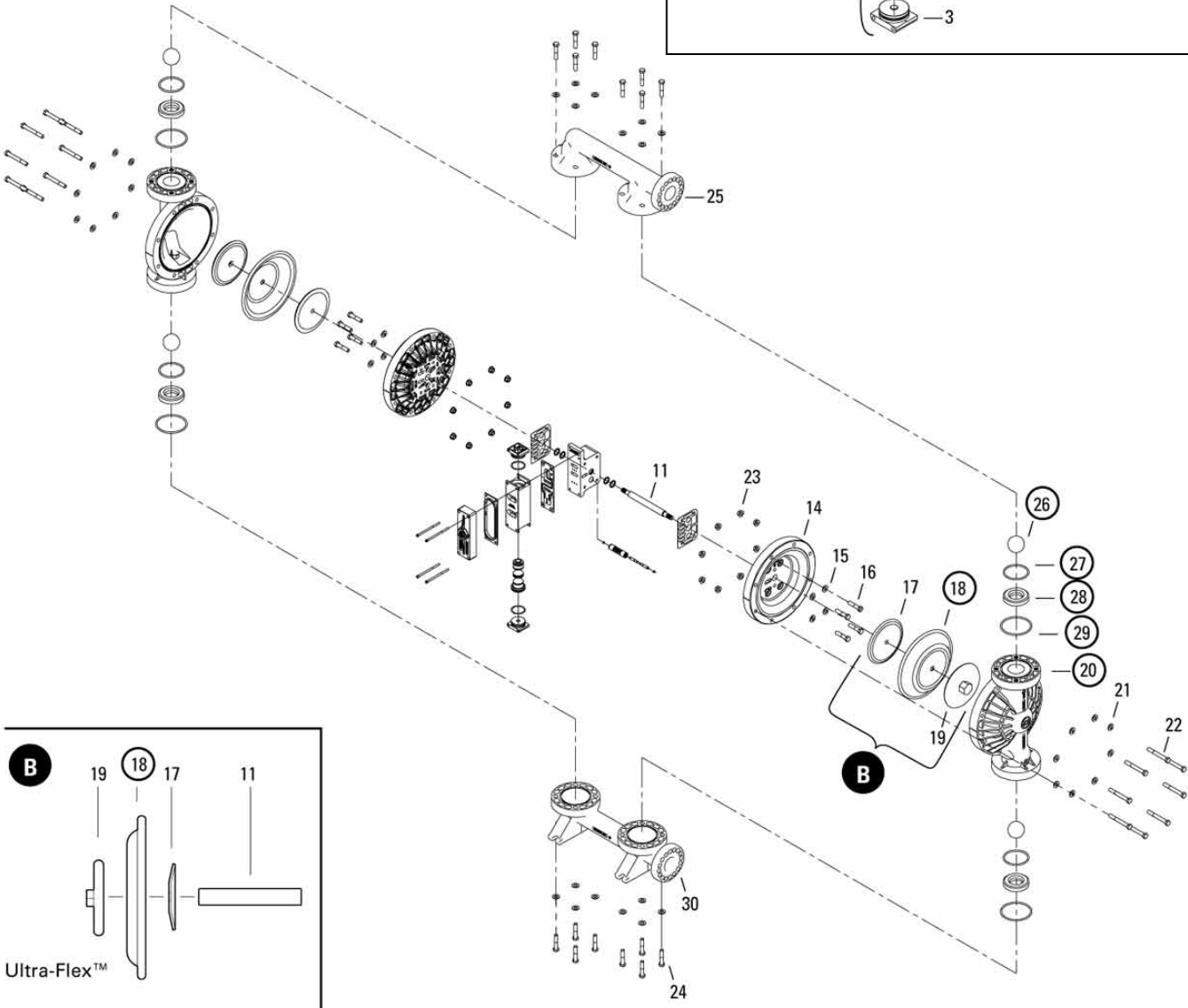
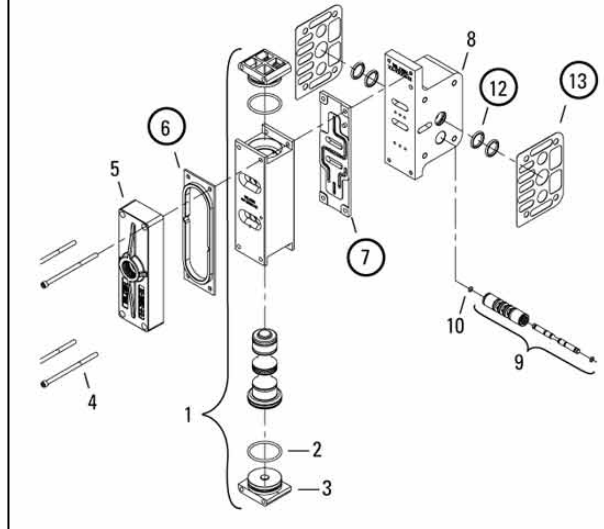
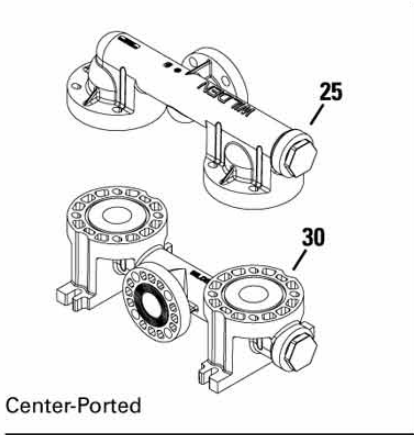
All boldface items are primary wear parts.

EXPLODED VIEW AND PARTS LISTING

PV800 PLASTIC

Rubber/TPE-Fitted

EXPLODED VIEW



ALL CIRCLED PART IDENTIFIERS ARE INCLUDED IN REPAIR KITS (see section 9).

EXPLODED VIEW AND PARTS LISTING

PV800 PLASTIC Rubber/TPE-Fitted PARTS LISTING

No.	Description	Qty.	PV800/PKPAA P/N	PV800/KKPAA P/N	PV800/PKPCC/0502 P/N	PV800/KKPCC/0502 P/N
1	Pro-Flo V™ Air Valve Assembly¹	1	04-2030-01	04-2030-01	04-2030-05	04-2030-05
2	O-Ring (-225), End Cap (1.859" x .139")	2	04-2390-52-700	04-2390-52-700	04-2390-52-700	04-2390-52-700
3	End Cap, Pro-Flo V™	2	04-2340-01	04-2340-01	04-2340-05	04-2340-05
4	Screw, SHC, 1/4-20x4.5"	4	01-6000-03	01-6000-03	01-6000-05	01-6000-05
5	Muffler Plate, Pro-Flo V™	1	04-3185-01	04-3185-01	04-3185-05	04-3185-05
6	Gasket, Muffler Plate	1	04-3502-52	04-3502-52	04-3502-52	04-3502-52
7	Gasket, Air Valve	1	04-2620-52	04-2620-52	04-2620-52	04-2620-52
8	Center Block	1	04-3120-01	04-3120-01	04-3120-05	04-3120-05
9	Removable Pilot Sleeve Assembly	1	04-3882-99	04-3882-99	04-3882-99	04-3882-99
10	Pilot Spool Retaining O-Ring	2	04-2650-49-700	04-2650-49-700	04-2650-49-700	04-2650-49-700
11	Shaft, Rubber/TPE	1	08-3811-03	08-3811-03	08-3811-03	08-3811-03
	Shaft, Ultra-Flex™	1	08-3843-09	08-3843-09	08-3843-09	08-3843-09
12	Glyd™ Ring	4	08-3210-55-225	08-3210-55-225	08-3210-55-225	08-3210-55-225
13	Gasket, Center Block, Pro-Flo V™	2	04-3528-52	04-3528-52	04-3528-52	04-3528-52
14	Air Chamber, Pro-Flo V™	2	08-3690-20	08-3690-20	08-3690-20	08-3690-20
15	Washer, Flat 3/8 x 13/32	8	04-6741-03	04-6741-03	04-6741-03	04-6741-03
16	Screw, HHC, 3/8"-16 x 1-1/4"	8	04-6190-03	04-6190-03	04-6190-03	04-6190-03
17	Inner Piston	2	08-3700-01	08-3700-01	08-3700-01	08-3700-01
	Inner Piston, Ultra-Flex®	2	08-3761-01	08-3761-01	08-3761-01	08-3761-01
18	Diaphragm	2	*	*	*	*
19	Outer Piston	2	08-4550-21-500	08-4550-21-500	08-4550-21-500	08-4550-21-500
	Outer Piston, Ultra-Flex™	2	08-4560-21	08-4560-21	08-4560-21	08-4560-21
20	Liquid Chamber	2	08-5005-20	08-5005-21	08-5005-20	08-5005-21
21	Washer, Plain	32	04-6730-03	04-6730-03	04-6730-05	04-6730-05
22	Screw, HHC 1/2-13 x 4.00	16	08-6191-03	08-6191-03	08-6191-05	08-6191-05
23	Nut, Hex Flange 1/2-13	16	08-6435-03	08-6435-03	08-6435-05	08-6435-05
24	Screw, HHC 1/2-13 x 2	16	04-6210-03	04-6210-03	08-6181-05	08-6181-05
25	Manifold, Discharge ANSI, Side-Ported	1	08-5030-20	08-5030-21	08-5030-20	08-5030-21
	Manifold, Discharge DIN, Side-Ported		08-5031-20	08-5031-21	08-5031-20	08-5031-21
	Manifold, Discharge, Center-Ported, Combo	1	08-5030-20-690	08-5030-21-690	08-5030-20-690	08-5030-21-690
26	Valve Ball	4	*	*	*	*
27	Valve Seat O-Ring (3.475" x .210")	4	*	*	*	*
28	Valve Seat	4	08-1125-20	08-1125-21	08-1125-20	08-1125-21
29	Manifold O-ring (4.350"x.210")	4	*	*	*	*
30	Manifold, Inlet ANSI, Side-Ported	1	08-5090-20	08-5090-21	08-5090-20	08-5090-21
	Manifold, Inlet DIN, Side-Ported		08-5091-20	08-5091-21	08-5091-20	08-5091-21
	Manifold, Inlet, Center-Ported, Combo	1	08-5090-20-690	08-5090-21-690	08-5090-20-690	08-5090-21-690

¹Air Valve Assembly includes items 2 and 3

²Refer to Elastomer Chart

0502 Specialty Code = PFA-Coated Hardware

0504 Specialty Code = DIN Flange

*Refer to elastometer chart on page 20 for material options

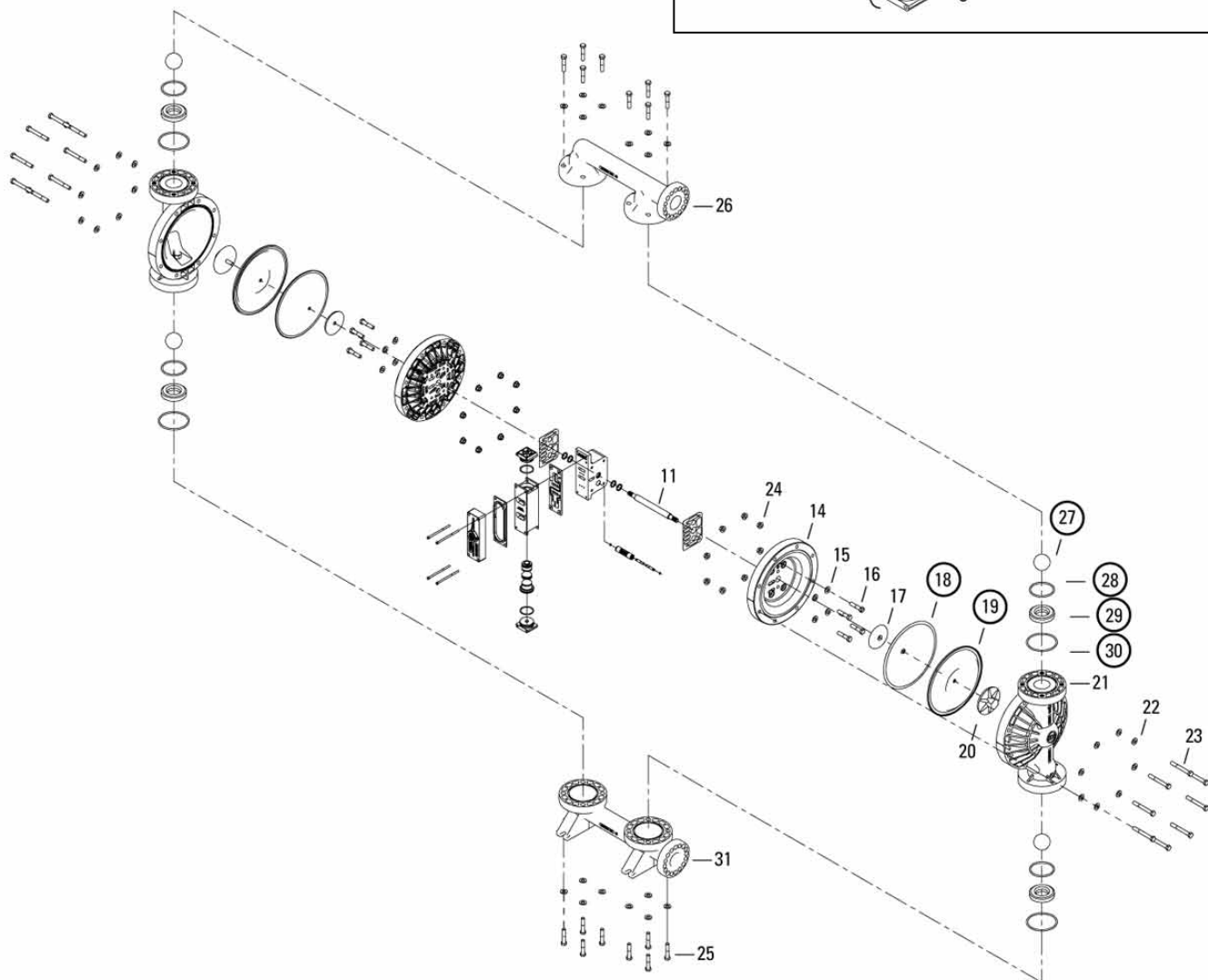
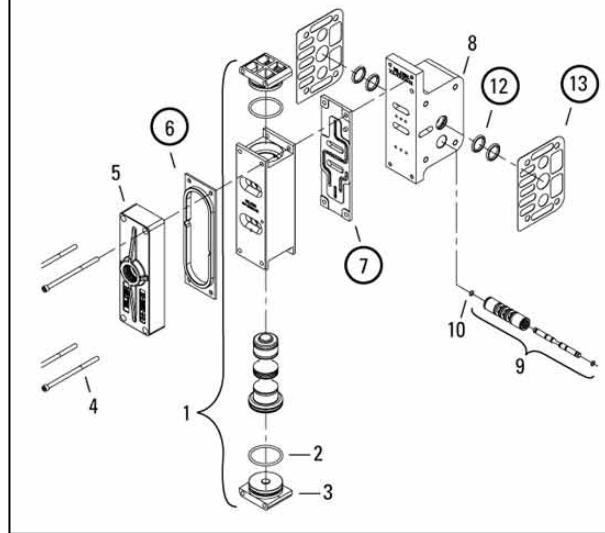
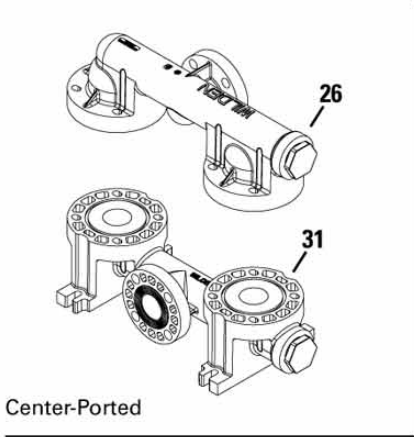
All boldface items are primary wear parts.

EXPLODED VIEW AND PARTS LISTING

PV800 PLASTIC

PTFE-Fitted

EXPLODED VIEW



ALL CIRCLED PART IDENTIFIERS ARE INCLUDED IN REPAIR KITS (see section 9).

EXPLODED VIEW AND PARTS LISTING

PV800 PLASTIC

PTFE-Fitted

PARTS LISTING

No.	Part Description	Qty.	PV800/PKPAA P/N	PV800/KKPAA P/N	PV800/PKPCC/0502 P/N	PV800/KKPCC/0502 P/N
1	Pro-Flo V™ Air Valve Assembly¹	1	04-2030-01	04-2030-01	04-2030-05	04-2030-05
2	O-Ring (-225), End Cap (1.859" x .139")	2	04-2390-52-700	04-2390-52-700	04-2390-52-700	04-2390-52-700
3	End Cap, Pro-Flo V™	2	04-2340-01	04-2340-01	04-2340-05	04-2340-05
4	Screw, SHC, 1/4-20x4.5"	4	01-6000-03	01-6000-03	01-6000-05	01-6000-05
5	Muffler Plate, Pro-Flo V™	1	04-3185-01	04-3185-01	04-3185-05	04-3185-05
6	Gasket, Muffler Plate	1	04-3502-52	04-3502-52	04-3502-52	04-3502-52
7	Gasket, Air Valve	1	04-2620-52	04-2620-52	04-2620-52	04-2620-52
8	Center Block	1	04-3120-01	04-3120-01	04-3120-05	04-3120-05
9	Removable Pilot Sleeve Assembly	1	04-3882-99	04-3882-99	04-3882-99	04-3882-99
10	Pilot Spool Retaining O-Ring	2	04-2650-49-700	04-2650-49-700	04-2650-49-700	04-2650-49-700
11	Shaft, PTFE	1	08-3842-03	08-3842-03	08-3842-03	08-3842-03
12	Glyd™ Ring	4	08-3210-55-225	08-3210-55-225	08-3210-55-225	08-3210-55-225
13	Gasket, Center Block, Pro-Flo V™	2	04-3528-52	04-3528-52	04-3528-52	04-3528-52
14	Air Chamber, Pro-Flo V™	2	08-3690-20	08-3690-20	08-3690-20	08-3690-20
15	Washer, Flat 3/8 x 13/32	8	04-6741-03	04-6741-03	04-6741-03	04-6741-03
16	Screw, HHC, 3/8"-16 x 1-1/4"	8	04-6190-03	04-6190-03	04-6190-03	04-6190-03
17	Inner Piston	2	08-3750-01	08-3750-01	08-3750-01	08-3750-01
18	Diaphragm, Back-up	2	08-1060-51	08-1060-51	08-1060-51	08-1060-51
19	Diaphragm	2	08-1010-55	08-1010-55	08-1010-55	08-1010-55
20	Outer Piston	2	08-4600-21-500	08-4600-21-500	08-4600-21-500	08-4600-21-500
21	Liquid Chamber	2	08-5005-20	08-5005-21	08-5005-20	08-5005-21
22	Washer, Plain	32	04-6730-03	04-6730-03	04-6730-05	04-6730-05
23	Screw, HHC, 1/2-13 x 4.00	16	08-6191-03	08-6191-03	08-6191-05	08-6191-05
24	Nut, Hex Flange 1/2-13	16	08-6435-03	08-6435-03	08-6435-05	08-6435-05
25	Screw, HHC, 1/2-13 x 2	16	04-6210-03	04-6210-03	08-6181-05	08-6181-05
26	Manifold, Discharge ANSI, Side-Ported	1	08-5030-20	08-5030-21	08-5030-20	08-5030-21
	Manifold, Discharge DIN, Side-Ported	1	08-5031-20	08-5031-21	08-5031-20	08-5031-21
	Manifold, Discharge, Center-Ported, Combo	1	08-5030-20-690	08-5030-21-690	08-5030-20-690	08-5030-21-690
27	Valve Ball	4	08-1080-55	08-1080-55	08-1080-55	08-1080-55
28	Valve Seat, O-Ring (3.475" x .210")	4	08-1205-60	08-1205-60	08-1205-60	08-1205-60
29	Valve Seat	4	08-1125-20	08-1125-21	08-1125-20	08-1125-21
30	Manifold O-Ring (4.350" x .210")	4	08-1371-60	08-1371-60	08-1371-60	08-1371-60
31	Manifold, Inlet ANSI, Side-Ported	1	08-5090-20	08-5090-21	08-5090-20	08-5090-21
	Manifold, Inlet DIN, Side-Ported	1	08-5091-20	08-5091-21	08-5091-20	08-5091-21
	Manifold, Inlet, Center-Ported, Combo	1	08-5090-20-690	08-5090-21-690	08-5090-20-690	08-5090-21-690

¹Air Valve Assembly includes items 2 and 3
0502 Specialty Code = PFA-Coated Hardware
0504 Specialty Code = DIN Flange
All boldface items are primary wear parts.

ELASTOMER OPTIONS

P800 and PV800 Plastic

MATERIAL	DIAPHRAGMS (2)	ULTRA-FLEX™ DIAPHRAGMS	BACK-UP DIAPHRAGMS	VALVE BALLS (4)	VALVE SEAT (4)	VALVE SEAT O-RING (4)	MANIFOLD O-RING
Neoprene	08-1010-51	08-1020-51	08-1060-51	08-1080-51	N/A	N/A	N/A
Buna-N	08-1010-52	08-1020-52	N/A	08-1080-52	N/A	08-1205-52	08-1371-52
Viton®	08-1010-53	08-1020-53	N/A	08-1080-53	N/A	N/A	N/A
EPDM	08-1010-54	08-1020-54	N/A	08-1080-54	N/A	N/A	N/A
PTFE	08-1010-55	N/A	N/A	08-1080-55	N/A	N/A	N/A
PTFE Encap. (Viton®)	N/A	N/A	N/A	N/A	N/A	08-1205-60	08-1371-60
Polyurethane	08-1010-50	N/A	N/A	08-1080-50	N/A	N/A	N/A
Saniflex™	08-1010-56	N/A	N/A	08-1080-56	N/A	N/A	N/A
Wil-Flex™	08-1010-58	N/A	N/A	08-1080-58	N/A	08-1205-58	08-1371-58
Polypropylene	N/A	N/A	N/A	N/A	08-1125-20	N/A	N/A
PVDF	N/A	N/A	N/A	N/A	08-1125-21	N/A	N/A

Back-up diaphragms used with PTFE diaphragms only. Neoprene is the standard back-up material used, unless otherwise specified.
 NOTE: Saniflex™ back-up diaphragms (04-1060-56) are available upon request. Please consult your local Wilden distributor.

PRO-FLO® PLASTIC

DESCRIPTION	NEOPRENE	BUNA-N	VITON®	EPDM	PTFE	WIL-FLEX™	SANIFLEX™	POLYURETHANE
Pro-Flo® Advanced™ Plastic	08-9553-51	08-9553-52	08-9553-53	08-9553-54	08-9553-55	08-9553-58	08-9553-56	08-9553-50

PRO-FLO V™ PLASTIC

DESCRIPTION	NEOPRENE	BUNA-N	VITON®	EPDM	PTFE	WIL-FLEX™	SANIFLEX™	POLYURETHANE
Pro-Flo V™ Advanced™ Plastic	08-9581-51	08-9581-52	08-9581-53	08-9581-54	08-9581-55	08-9581-58	08-9581-56	08-9581-50

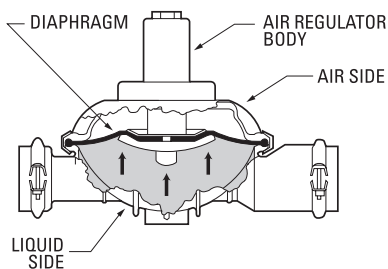
THE EQUALIZER®

WILDEN AUTOMATIC SURGE DAMPENER

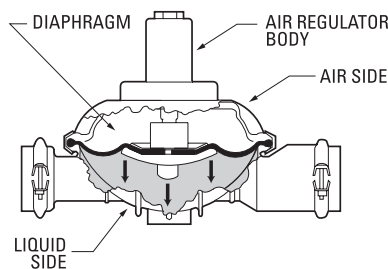
A compressed air line attached to the air regulator body sets and maintains pressure on the air side of the diaphragm. As a reciprocating pump begins its stroke, liquid discharge pressure increases which flexes the Equalizer® diaphragm inward (toward the air side). This action accumulates fluid in the liquid chamber (*phase 1*). When the pump redirects its motion upon stroke completion, the liquid discharge pressure decreases allowing the Equalizer® diaphragm to flex outward displacing the fluid into the discharge line (*phase 2*). This motion provides the supplementary pumping action needed to minimize pressure fluctuation.



Phase 1



Phase 2



WILDEN®

A DOVER COMPANY

22069 VAN BUREN STREET • GRAND TERRACE, CA 92313-5607
(909) 422-1730 • FAX (909) 783-3440
www.wildenpump.com

Finding spares a nightmare?

Sleep easier with



PRODUCTS:

AODDP

(Air Operated Double Diaphragm Pumps)

- Warren-Rupp
- ARO
- Other



PUMP PARTS

(Low Cost)

- Diaphragms
- Valve balls
- Valve seats



KNOWLEDGE & SERVICE

- Competitive pricing
- Delivery
- Service
- Inventory



Spectrom is not your typical after market part supplier. We do not simply sell pump parts; we provide value added procurement solutions.

Our unique network enables us to purchase effectively, resulting in low cost solutions. We also know that low purchase price is not enough - quality, integrity and inventory are also important. Spectrom is structured to provide Pre and Post sales support, giving our customers value added application and pump knowledge.

Contact us to have a procurement solution developed for you. We don't just fit you into a generic system, we develop specific solutions that achieve results.

Spectrom will ship your order from our facility within 3 working days!

WARNING

These parts may exhibit better life than OEM parts.

1-909-512-1261



www.spectromparts.com

WARRANTY

Each and every product manufactured by Wilden Pump and Engineering, LLC is built to meet the highest standards of quality. Every pump is functionally tested to insure integrity of operation.

Wilden Pump and Engineering, LLC warrants that pumps, accessories and parts manufactured or supplied by it to be free from defects in material and workmanship for a period of five (5) years from date of installation or six (6) years from date of manufacture, whichever comes first. Failure due to normal wear, misapplication, or abuse is, of course, excluded from this warranty.

Since the use of Wilden pumps and parts is beyond our control, we cannot guarantee the suitability of any pump or part for a particular application and Wilden Pump and Engineering, LLC shall not be liable for any consequential damage or expense arising from the use or misuse of its products on any application. Responsibility is limited solely to replacement or repair of defective Wilden pumps and parts.

All decisions as to the cause of failure are the sole determination of Wilden Pump and Engineering, LLC.

Prior approval must be obtained from Wilden for return of any items for warranty consideration and must be accompanied by the appropriate MSDS for the product(s) involved. A Return Goods Tag, obtained from an authorized Wilden distributor, must be included with the items which must be shipped freight prepaid.

The foregoing warranty is exclusive and in lieu of all other warranties expressed or implied (whether written or oral) including all implied warranties of merchantability and fitness for any particular purpose. No distributor or other person is authorized to assume any liability or obligation for Wilden Pump and Engineering, LLC other than expressly provided herein.

PLEASE PRINT OR TYPE AND FAX TO WILDEN

PUMP INFORMATION			
Item # _____		Serial # _____	
Company Where Purchased _____			
YOUR INFORMATION			
Company Name _____			
Industry _____			
Name _____		Title _____	
Street Address _____			
City _____	State _____	Postal Code _____	Country _____
Telephone _____	Fax _____	E-mail _____	Web Address _____
Number of pumps in facility? _____		Number of Wilden pumps? _____	
Types of pumps in facility (check all that apply): <input type="checkbox"/> Diaphragm <input type="checkbox"/> Centrifugal <input type="checkbox"/> Gear <input type="checkbox"/> Submersible <input type="checkbox"/> Lobe			
<input type="checkbox"/> Other _____			
Media being pumped? _____			
How did you hear of Wilden Pump? <input type="checkbox"/> Trade Journal <input type="checkbox"/> Trade Show <input type="checkbox"/> Internet/E-mail <input type="checkbox"/> Distributor			
<input type="checkbox"/> Other _____			

ONCE COMPLETE, FAX TO (909) 783-3440

NOTE: WARRANTY VOID IF PAGE IS NOT FAXED TO WILDEN

WILDEN PUMP & ENGINEERING, LLC